



US00D729609S

(12) **United States Design Patent**
Le

(10) **Patent No.:** **US D729,609 S**
(45) **Date of Patent:** **** May 19, 2015**

(54) **PADLOCKABLE LATCH**
(71) Applicant: **S.P.E.P. Acquisition Corp.**, Long Beach, CA (US)
(72) Inventor: **Tam Le**, Santa Ana, CA (US)
(73) Assignee: **S.P.E.P. Acquisition Corp.**, Long Beach, CA (US)
(**) Term: **14 Years**

5,000,494	A *	3/1991	Guibleo	292/148
5,119,649	A *	6/1992	Spence	70/14
D343,347	S *	1/1994	Lau et al.	D8/301
D348,210	S *	6/1994	Bonzer	D8/338
6,530,250	B1 *	3/2003	Linares et al.	70/208
6,532,778	B2	3/2003	Molzer et al.		
6,952,940	B2	10/2005	Molzer et al.		
6,976,375	B2 *	12/2005	Minix	70/208
7,690,229	B2 *	4/2010	McKee	70/129
8,272,240	B1 *	9/2012	Schilens	70/208
D722,860	S *	2/2015	Linares	D8/331

* cited by examiner

(21) Appl. No.: **29/489,587**
(22) Filed: **Apr. 30, 2014**
(51) **LOC (10) Cl.** **08-07**
(52) **U.S. Cl.**
USPC **D8/331**
(58) **Field of Classification Search**
CPC E05B 13/10; E05B 15/00; E05B 65/06;
E05B 3/04; E05B 1/04
USPC D8/330, 331, 335, 339, 302, 343;
70/141, 208, 129, 14; 292/336.3, 169,
292/358, 359, 170, 175, 165, 224, 140-145,
292/240-242, DIG. 14, DIG. 30, DIG. 31,
292/DIG. 4, 205
See application file for complete search history.

Primary Examiner — Prabhakar Deshmukh
(74) *Attorney, Agent, or Firm* — Karish & Bjorgum PC

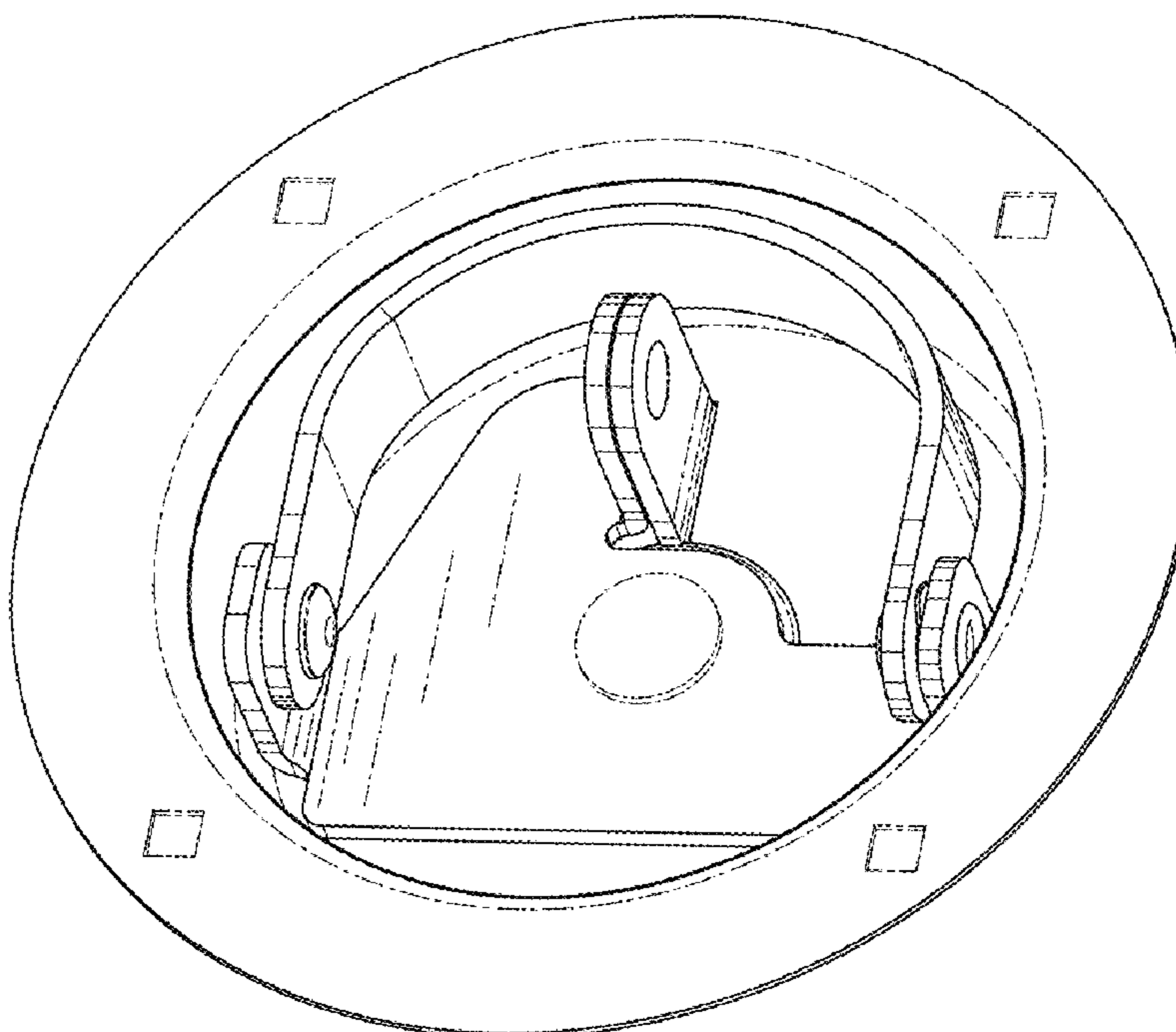
(57) **CLAIM**
The ornamental design for padlockable latch, as shown and described.

DESCRIPTION

FIG. 1 is a front right isometric view of the padlockable latch of the invention.
FIG. 2 is a left side view of the padlockable latch of FIG. 1.
FIG. 3 is a top view of the padlockable latch of FIG. 1.
FIG. 4 is a front view of the padlockable latch of FIG. 1; and, FIG. 5 is a rear view of the padlockable latch of FIG. 1.
The right side view of the padlockable latch is a mirror image of FIG. 2, and the bottom view of the padlockable latch is a mirror image of FIG. 3.
The features shown in dashed lines form no part of the design and are not claimed.

(56) **References Cited**
U.S. PATENT DOCUMENTS
2,468,575 A * 4/1949 Sweaney et al. 292/205
3,572,062 A 3/1971 Beebe
4,329,956 A * 5/1982 Burgio 123/286
D271,562 S * 11/1983 Weinerman D8/338

1 Claim, 3 Drawing Sheets



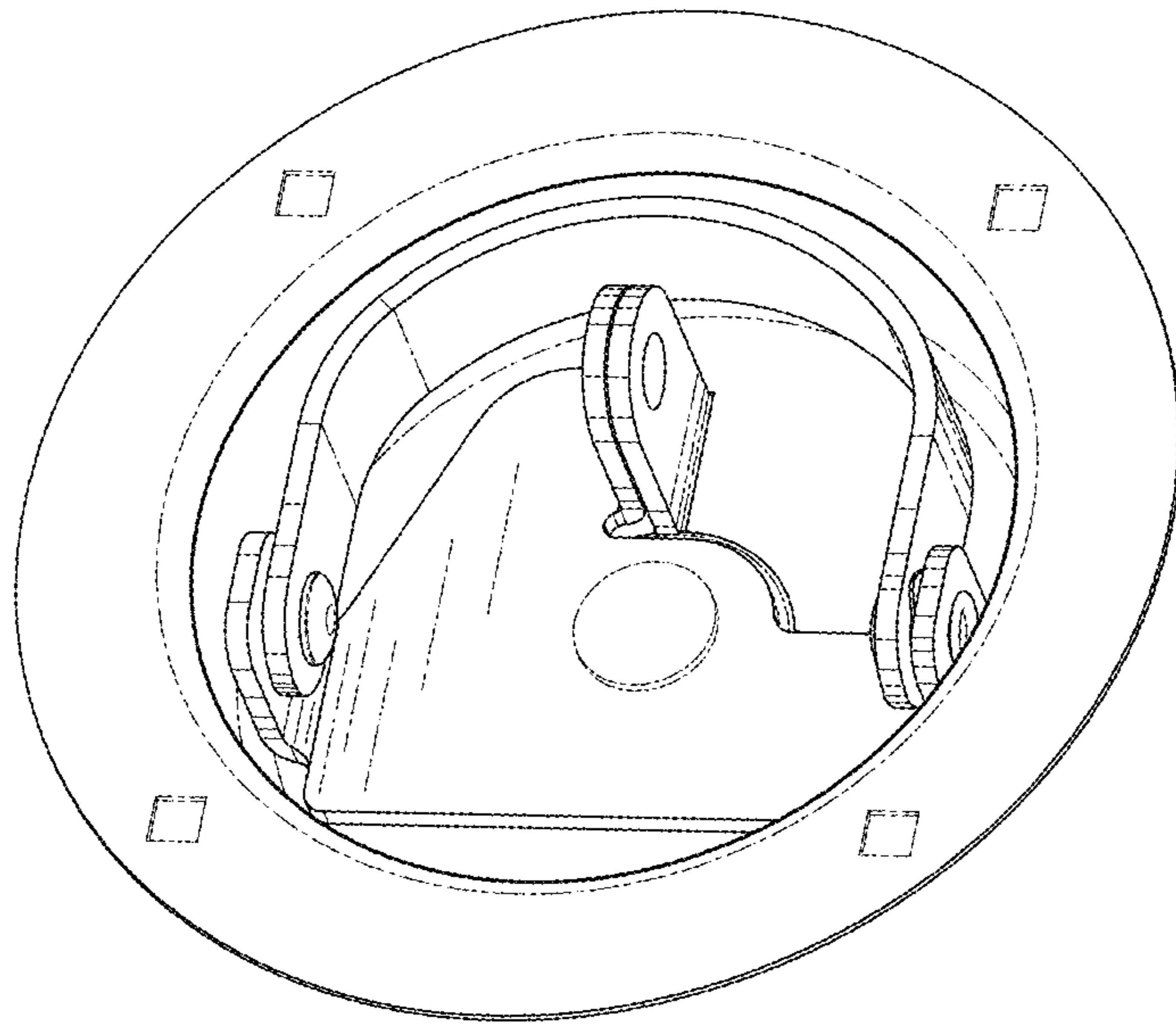


FIG. 1

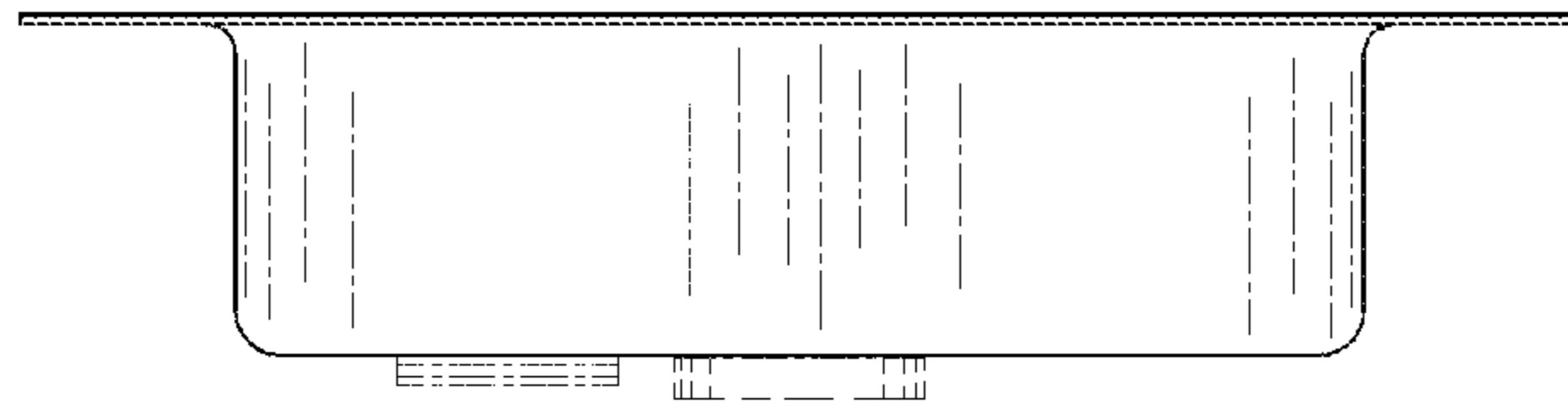


FIG. 2

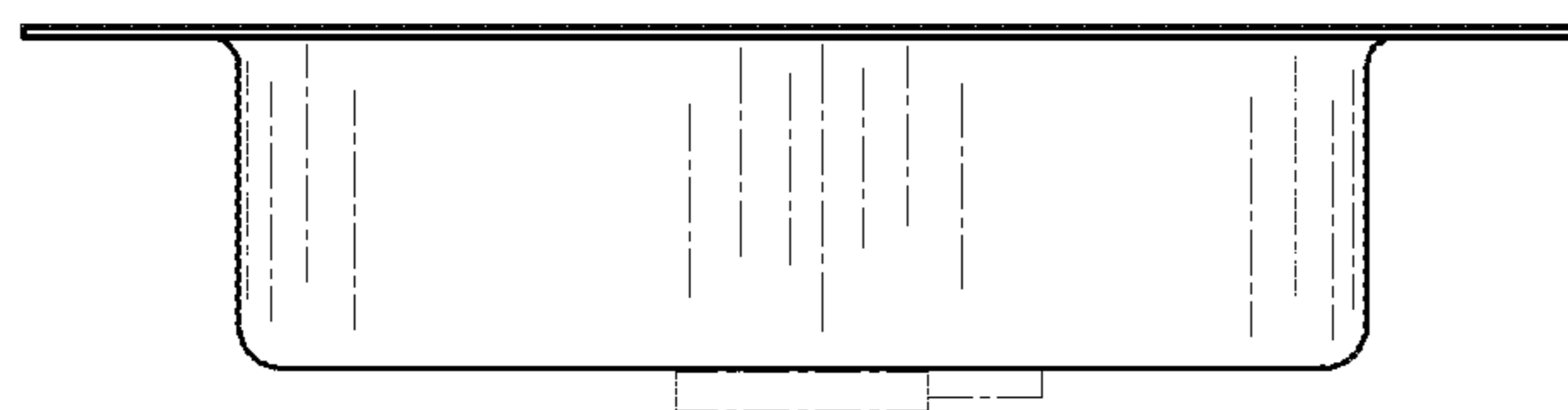


FIG. 3

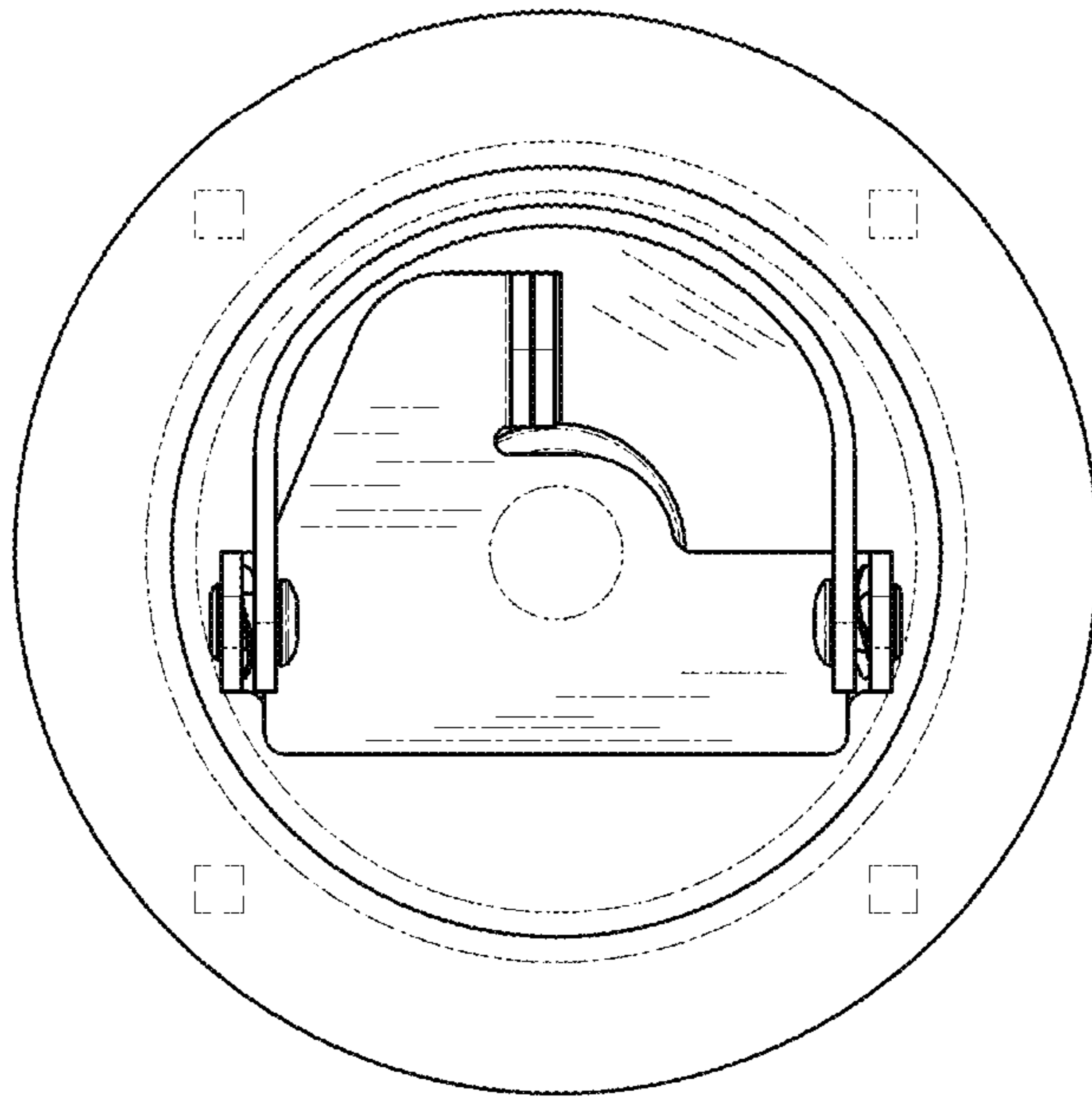


FIG. 4

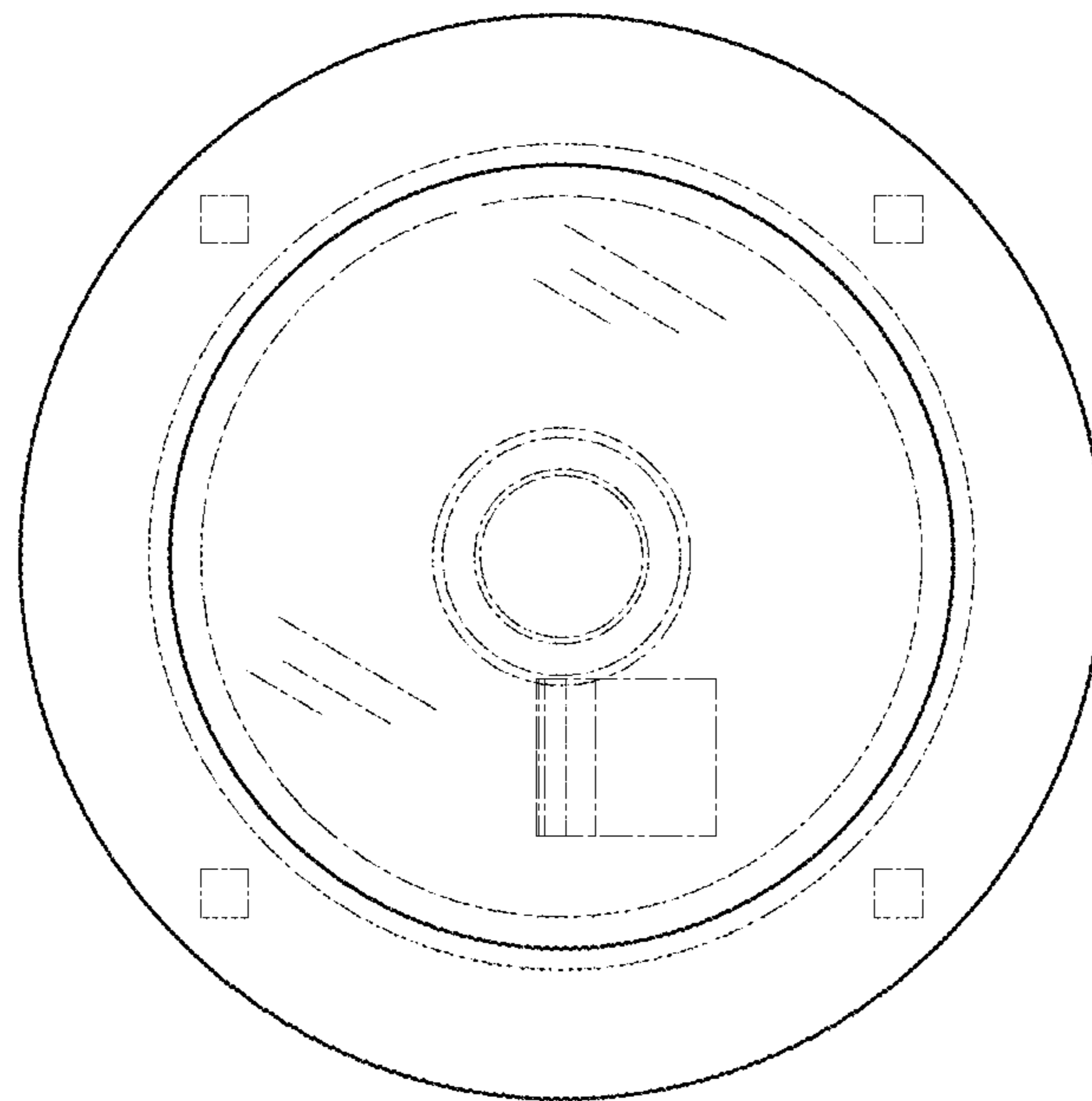


FIG. 5