



US00D729606S

(12) **United States Design Patent**
Thomson

(10) **Patent No.:** **US D729,606 S**

(45) **Date of Patent:** **** May 19, 2015**

(54) **ZIPPER LOCK**

(71) Applicant: **IdeaStream Products, LLC**, Cleveland, OH (US)

(72) Inventor: **Vincent J. Thomson**, Avon Lake, OH (US)

(73) Assignee: **IdeaStream Products, LLC**, Cleveland, OH (US)

(**) Term: **14 Years**

(21) Appl. No.: **29/479,850**

(22) Filed: **Jan. 21, 2014**

(51) **LOC (10) Cl.** **08-07**

(52) **U.S. Cl.**
USPC **D8/330; D8/342**

(58) **Field of Classification Search**
USPC D8/330, 331, 333, 342, 343; 70/14, 20, 70/21, 22, 23, 30, 50, 52, 57, 57.1, 69, 70, 70/76, 164, 233, 416, 465, DIG. 3, DIG. 4
See application file for complete search history.

(56) **References Cited**

U.S. PATENT DOCUMENTS

4,031,724 A * 6/1977 Atkinson 70/68
4,856,306 A * 8/1989 Scelba et al. 70/68

5,157,811 A * 10/1992 Bodolay 24/30.5 R
5,748,089 A * 5/1998 Sizemore 340/574
D395,813 S * 7/1998 Chun-Te D8/330
6,202,455 B1 * 3/2001 Su 70/68
D449,216 S * 10/2001 Herda D8/333
6,490,846 B2 * 12/2002 Koppe 53/459
D480,621 S * 10/2003 Ling D8/331
D570,668 S * 6/2008 DeCarlo et al. D8/330
7,603,753 B2 * 10/2009 Baker 24/429

* cited by examiner

Primary Examiner — Prabhakar Deshmukh

(74) *Attorney, Agent, or Firm* — Fay Sharpe LLP

(57) **CLAIM**

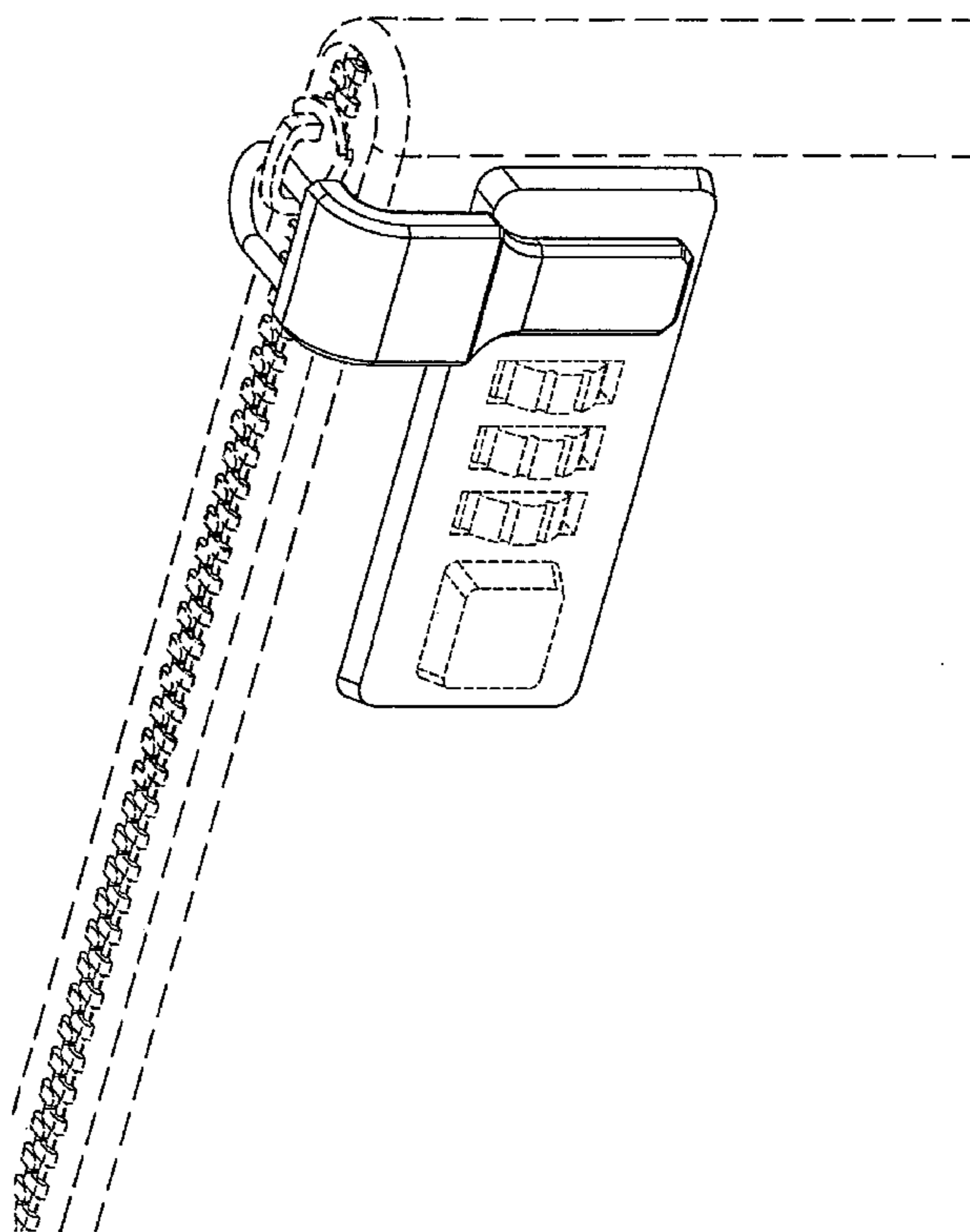
The ornamental design for a zipper lock, as shown and described.

DESCRIPTION

FIG. 1 is a front perspective view of a zipper lock wherein the latch is shown in locked position showing my new design; FIG. 2 is a front perspective view thereof, with the latch is shown in alternate and unlocked position; FIG. 3 is a rear perspective view thereof, with the latch is shown in alternate and unlocked position; and, FIG. 4 is another rear perspective view thereof, similar to FIG. 3.

The broken lines are included for the purpose of illustrating the environment and forms no part of the claimed design.

1 Claim, 4 Drawing Sheets



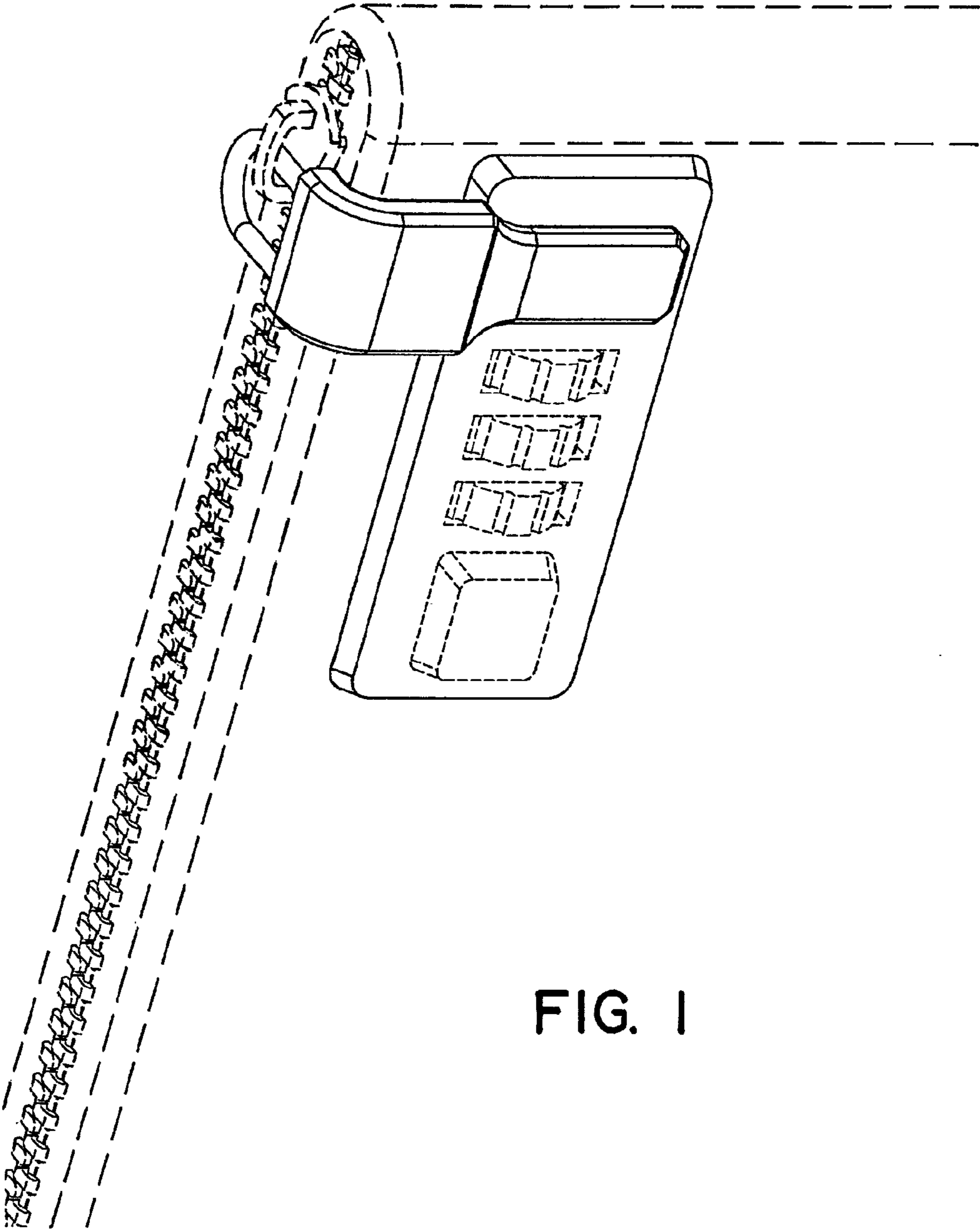


FIG. 1

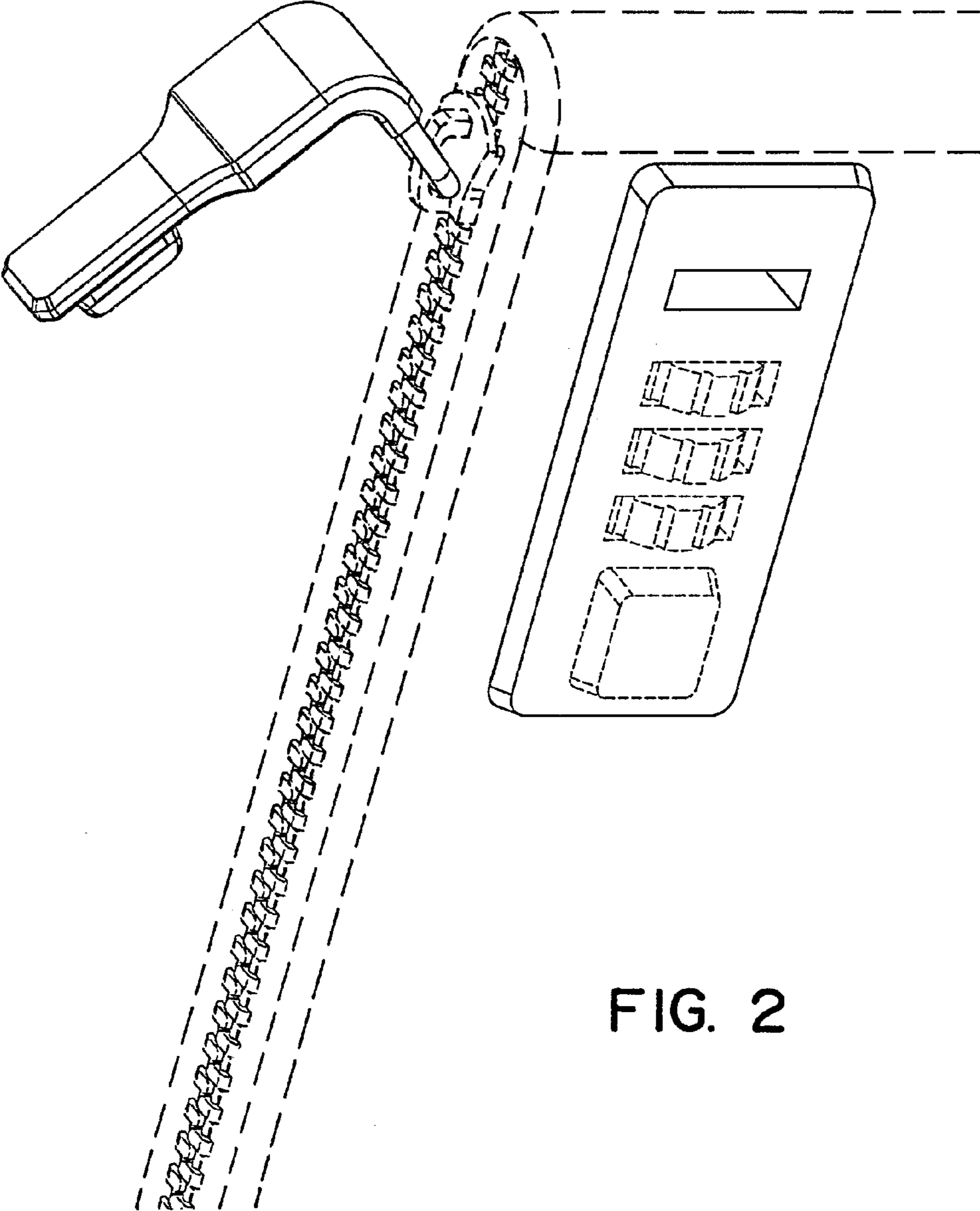


FIG. 2

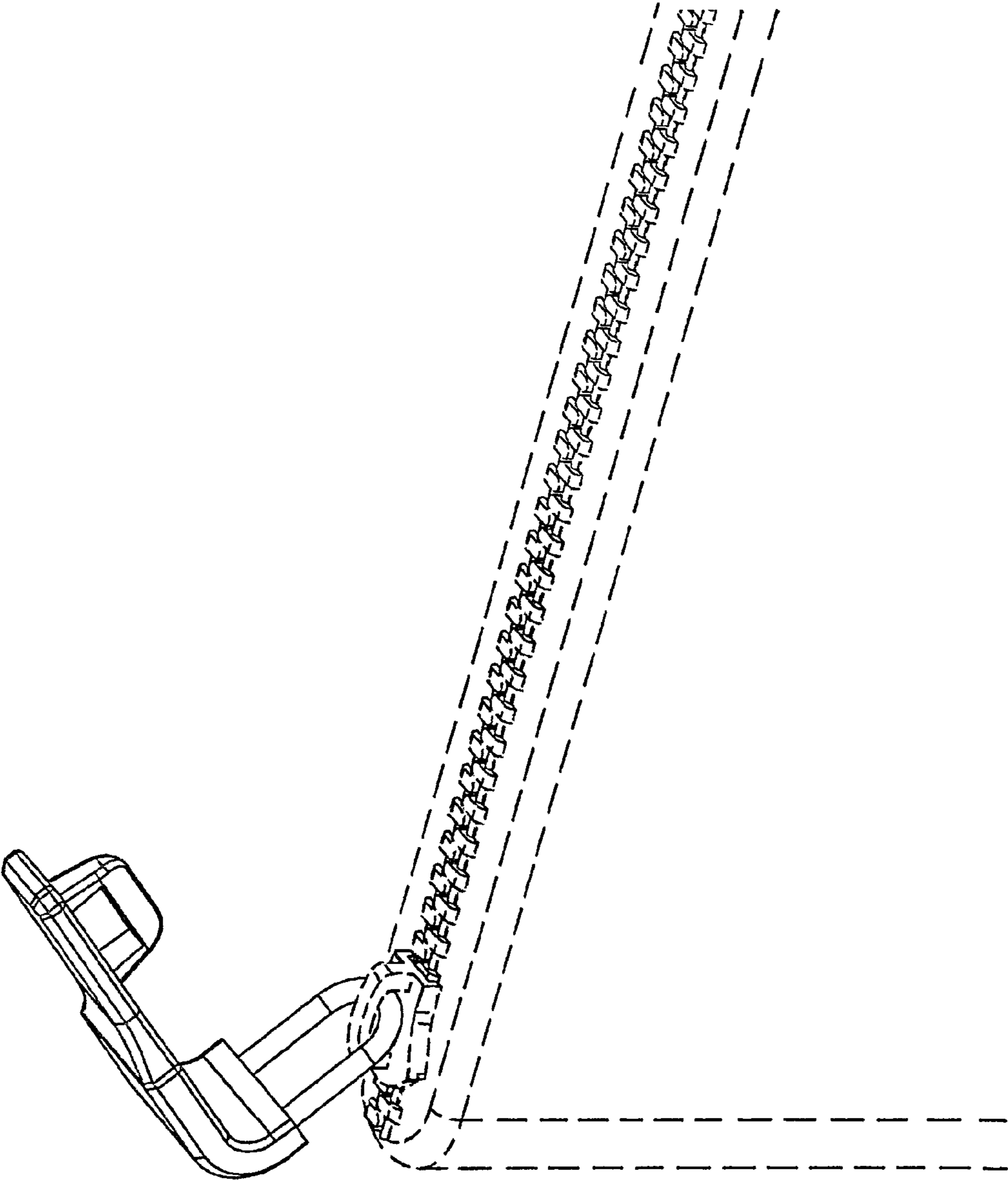


FIG. 3

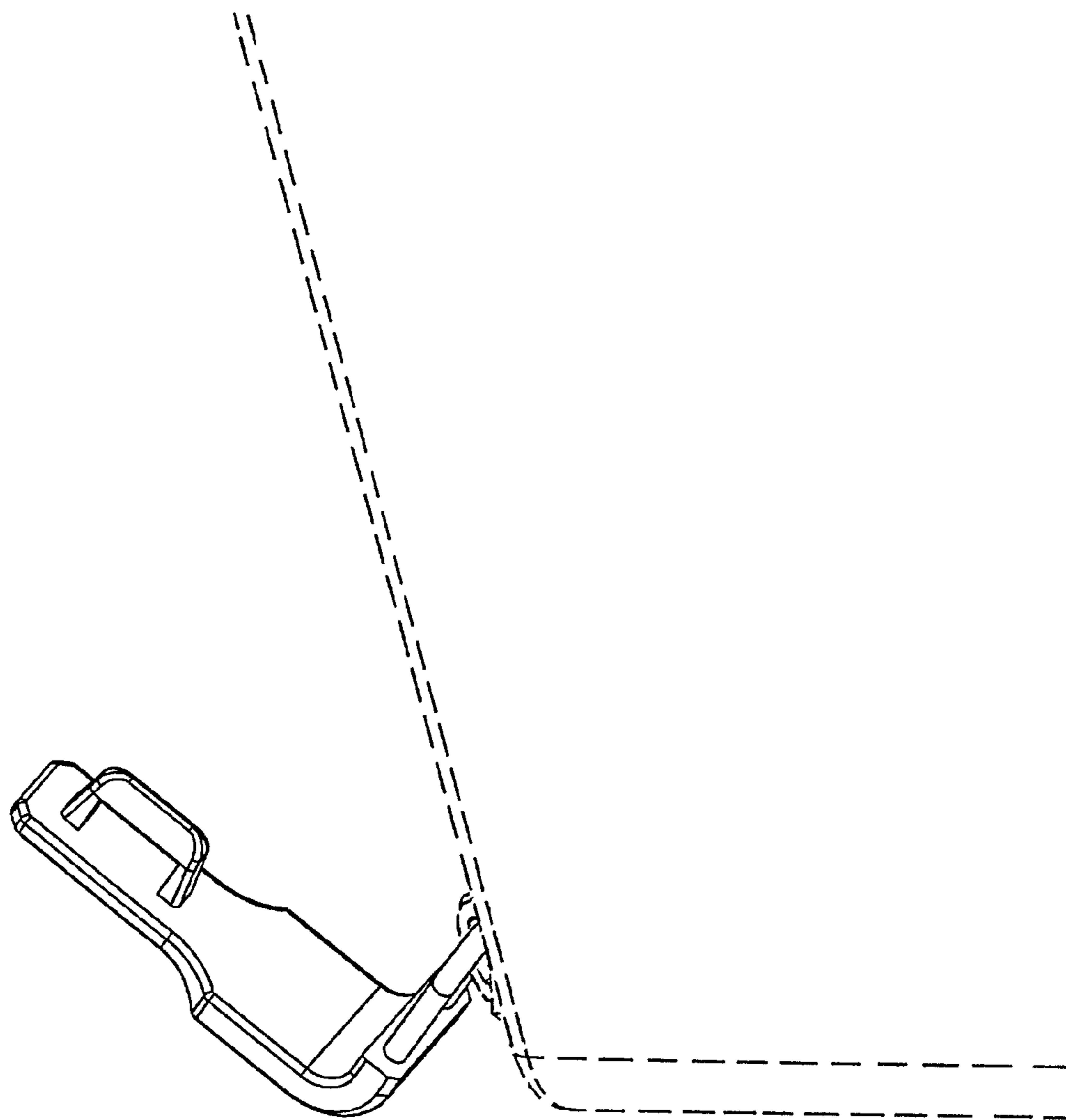


FIG. 4