



US00D729605S

(12) **United States Design Patent**
Ramey

(10) **Patent No.:** **US D729,605 S**

(45) **Date of Patent:** **** May 19, 2015**

(54) **DUAL CLAMP HINGE ASSEMBLY FOR ATTACHMENT TO ADJACENT TUBULAR MEMBERS**

(71) Applicant: **Willard Joseph Ramey**, Grass Valley, CA (US)

(72) Inventor: **Willard Joseph Ramey**, Grass Valley, CA (US)

(**) Term: **14 Years**

(21) Appl. No.: **29/446,560**

(22) Filed: **Feb. 25, 2013**

(51) **LOC (10) Cl.** **08-06**

(52) **U.S. Cl.**
USPC **D8/323**

(58) **Field of Classification Search**
USPC D8/356, 354, 349, 323, 327; 220/575; 206/521.15; 24/302, 16 R, 306, 17 R; 439/501; 381/374; D14/217, 205; 16/225, 250, 682, 309, 235, 275, 244, 16/379, 390, 430, 241, 238, 245, 236, 243, 16/242, 385, 331, 274; D23/303; 4/236, 4/240

See application file for complete search history.

(56) **References Cited**

U.S. PATENT DOCUMENTS

2,566,872	A *	9/1951	Bernhardt	16/250
3,550,186	A *	12/1970	Swartz	16/278
3,623,185	A *	11/1971	Cartwright et al.	16/335
3,972,090	A *	8/1976	Holmes	16/321
4,314,382	A *	2/1982	Ginsburg et al.	4/236

D272,597	S *	2/1984	Cascone et al.	D8/329
4,845,810	A *	7/1989	Brown et al.	16/284
5,642,557	A *	7/1997	Clews	24/339
D438,453	S *	3/2001	Nelson et al.	D8/395
D451,364	S *	12/2001	Borotto et al.	D8/323
D512,299	S *	12/2005	Libert et al.	D8/323
D520,337	S *	5/2006	Alvarado	D8/323
D548,044	S *	8/2007	Tang	D8/343
D688,069	S *	8/2013	Henderson et al.	D6/606
D718,607	S *	12/2014	Thrush et al.	D8/323
D719,800	S *	12/2014	Johnson	D8/14

* cited by examiner

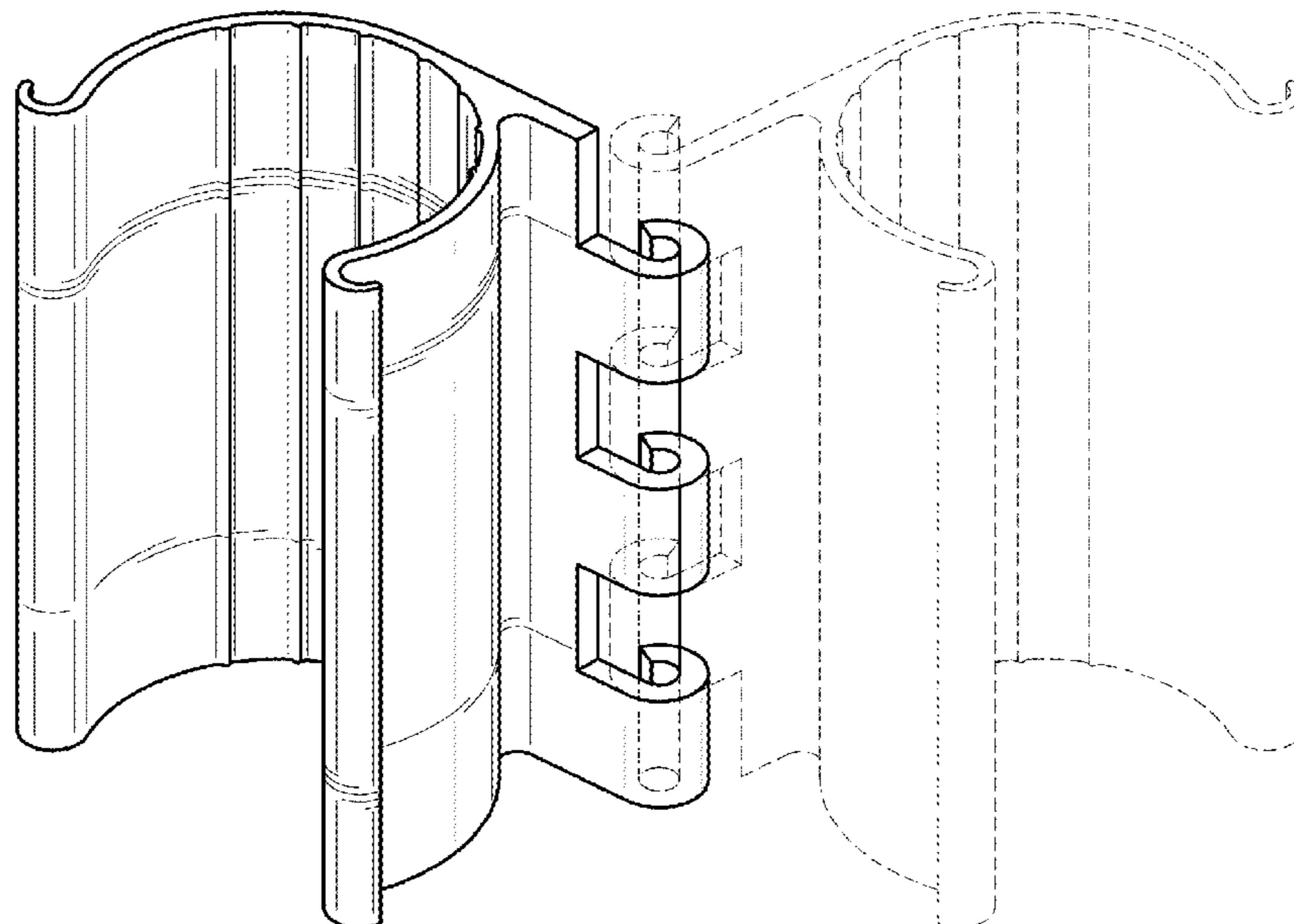
Primary Examiner — Cynthia Underwood
(74) *Attorney, Agent, or Firm* — Heisler & Associates

(57) **CLAIM**
The ornamental design for a dual clamp hinge assembly for attachment to adjacent tubular members, as shown and described.

DESCRIPTION

FIG. 1 is a top plan view of the invention, the bottom plan view being a mirror image.
FIG. 2 is a rear elevation view of the invention.
FIG. 3 is a front elevation view of the invention.
FIG. 4 is a right side view of the invention.
FIG. 5 is a left side view of the invention.
FIG. 6 is a perspective view of the invention with a second similar hinge element; and,
FIG. 7 is a perspective view of the invention shown reduced in scale and in use along with a second hinge assembly to pivotably support two tubular members together.
The broken lines in FIGS. 6 and 7 are for purposes of illustration only and form no part of the claimed design.

1 Claim, 5 Drawing Sheets



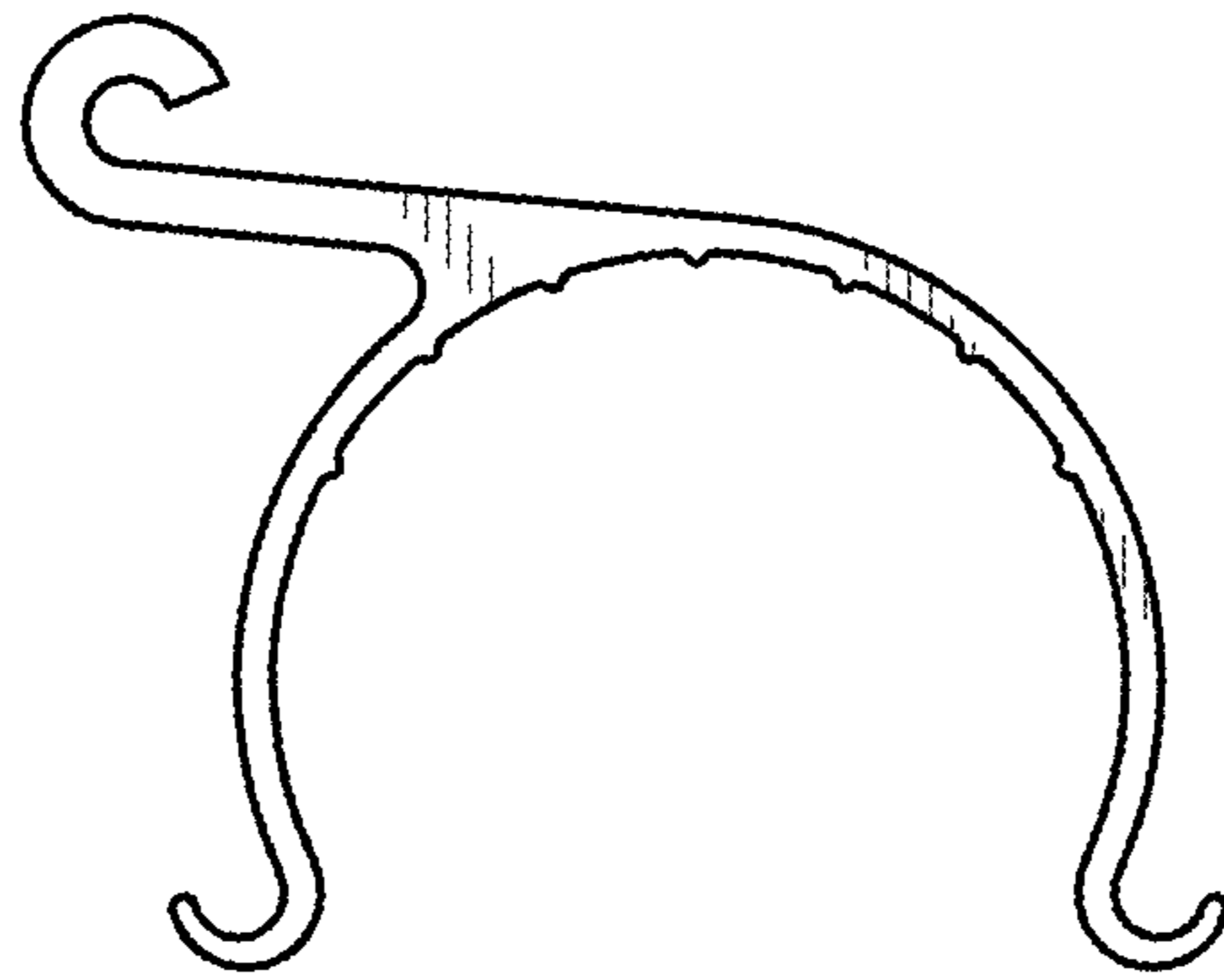


FIG. 1

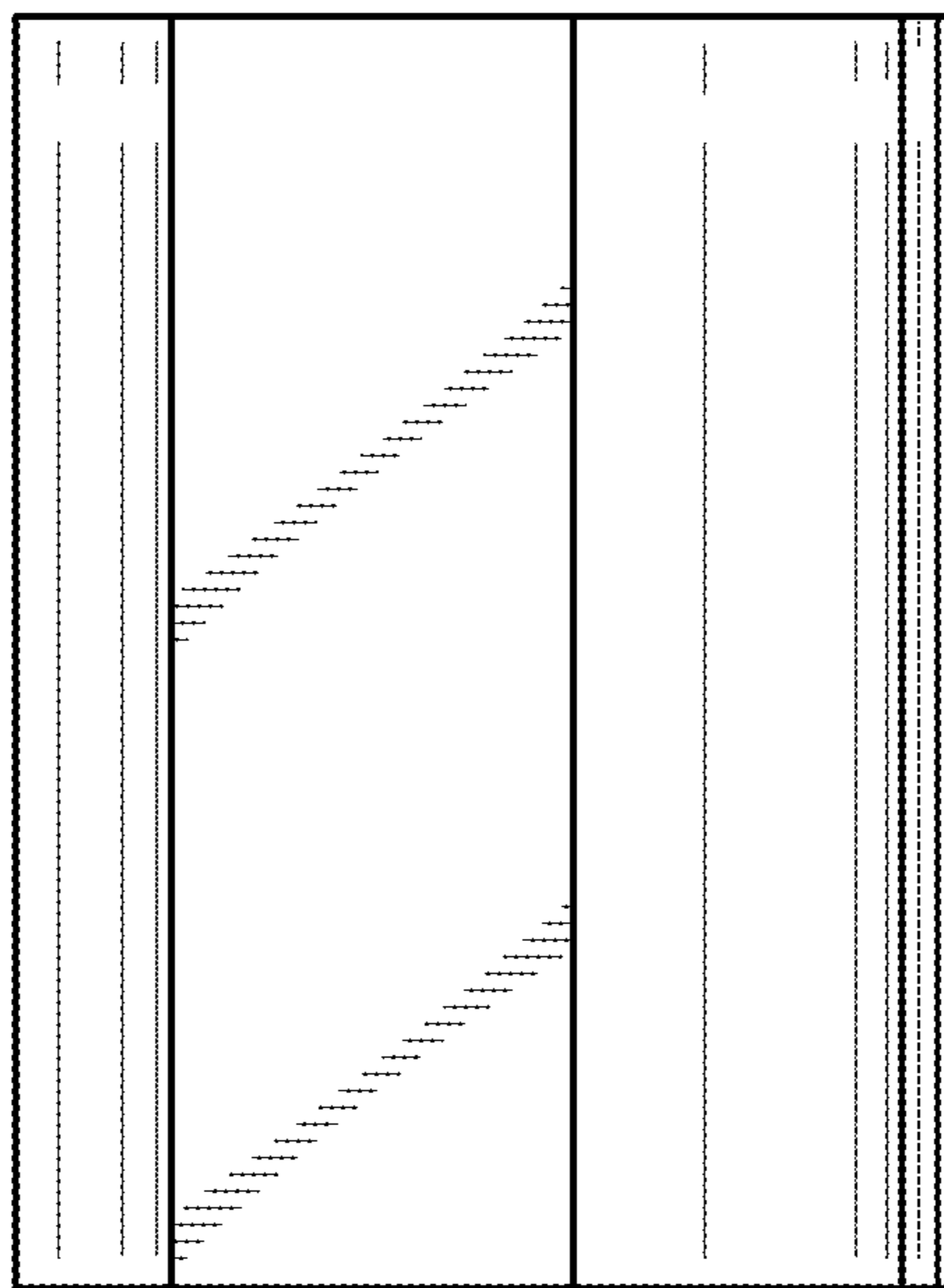


FIG. 2

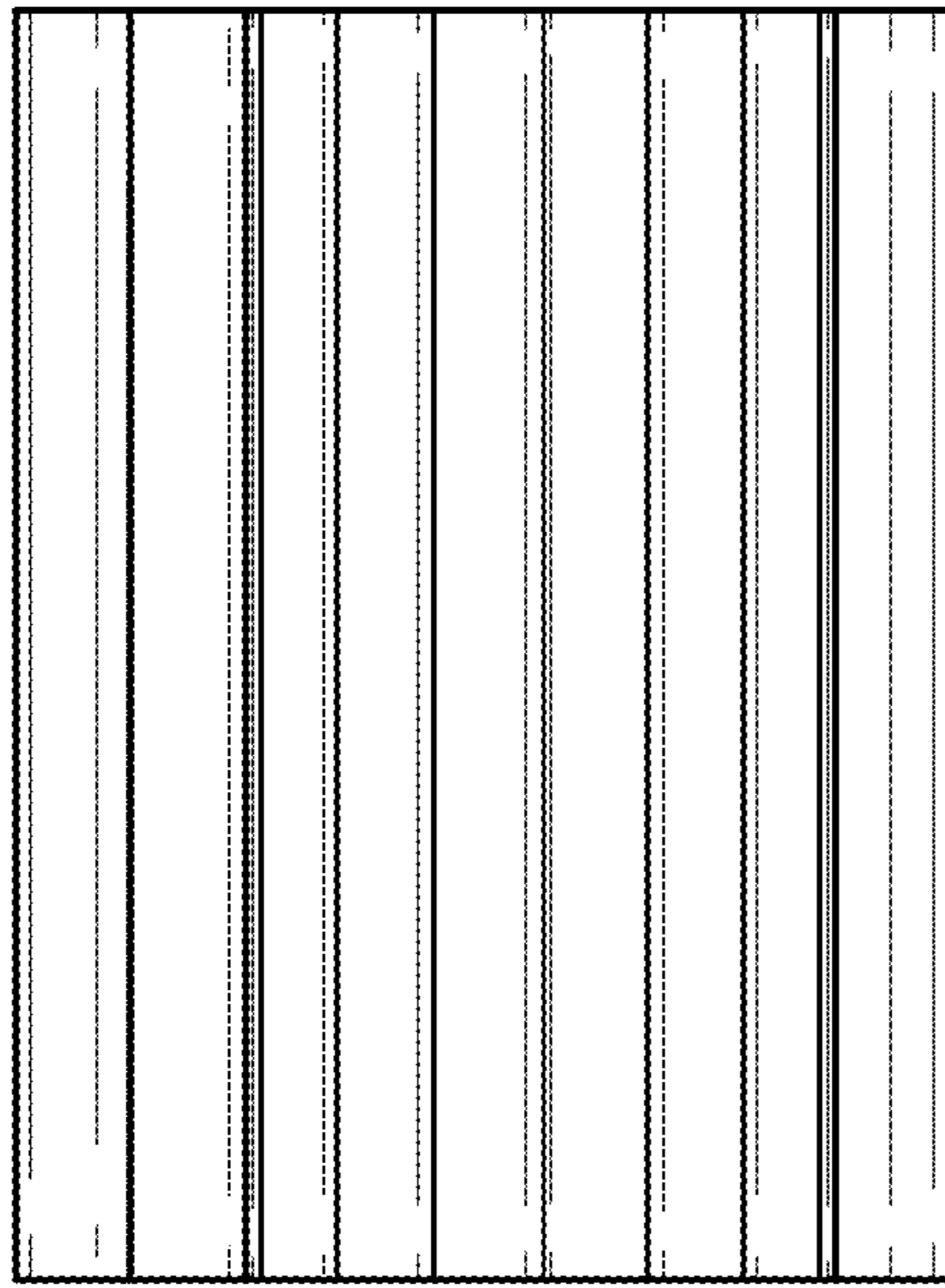


FIG. 3

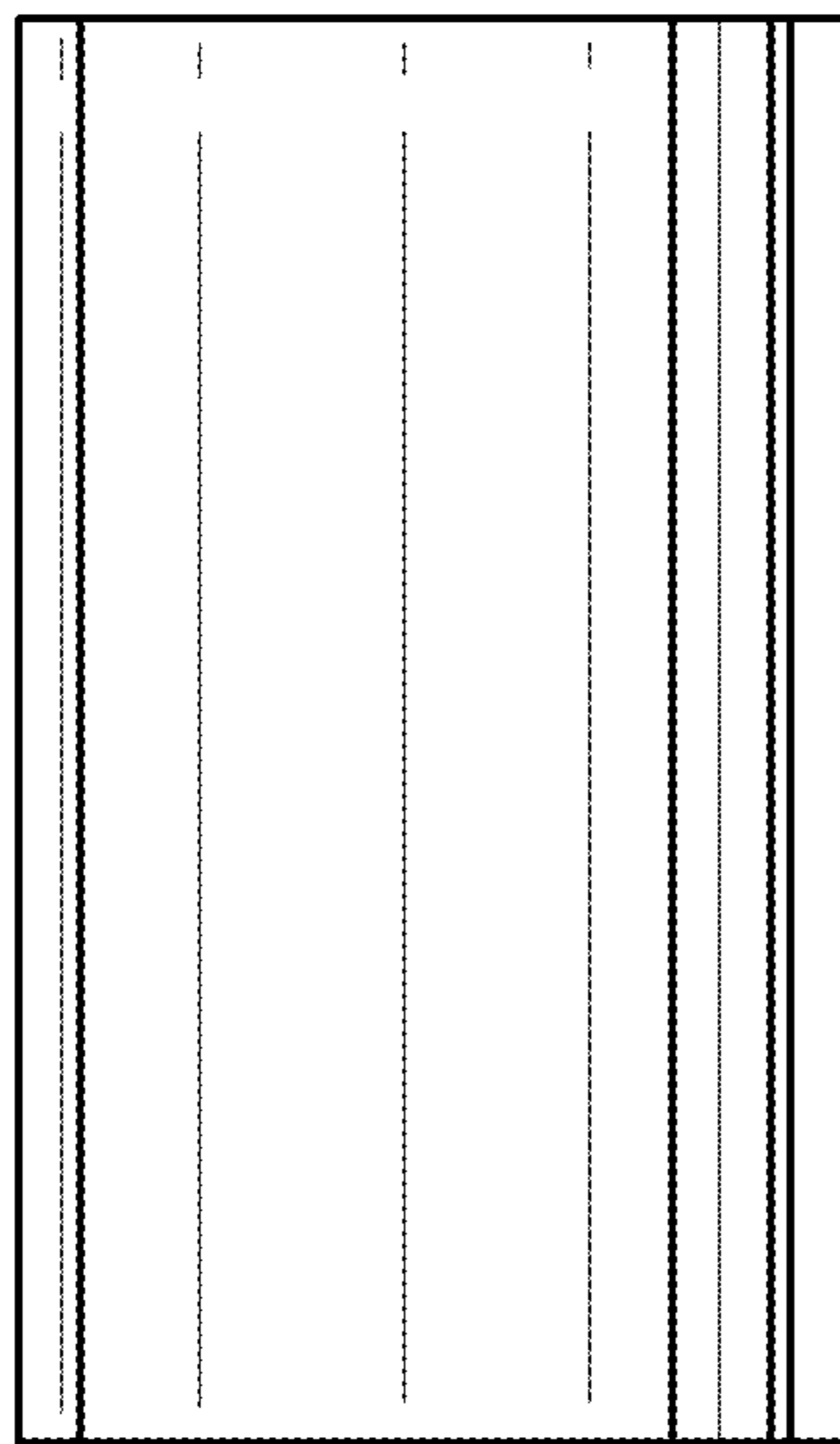


FIG. 4

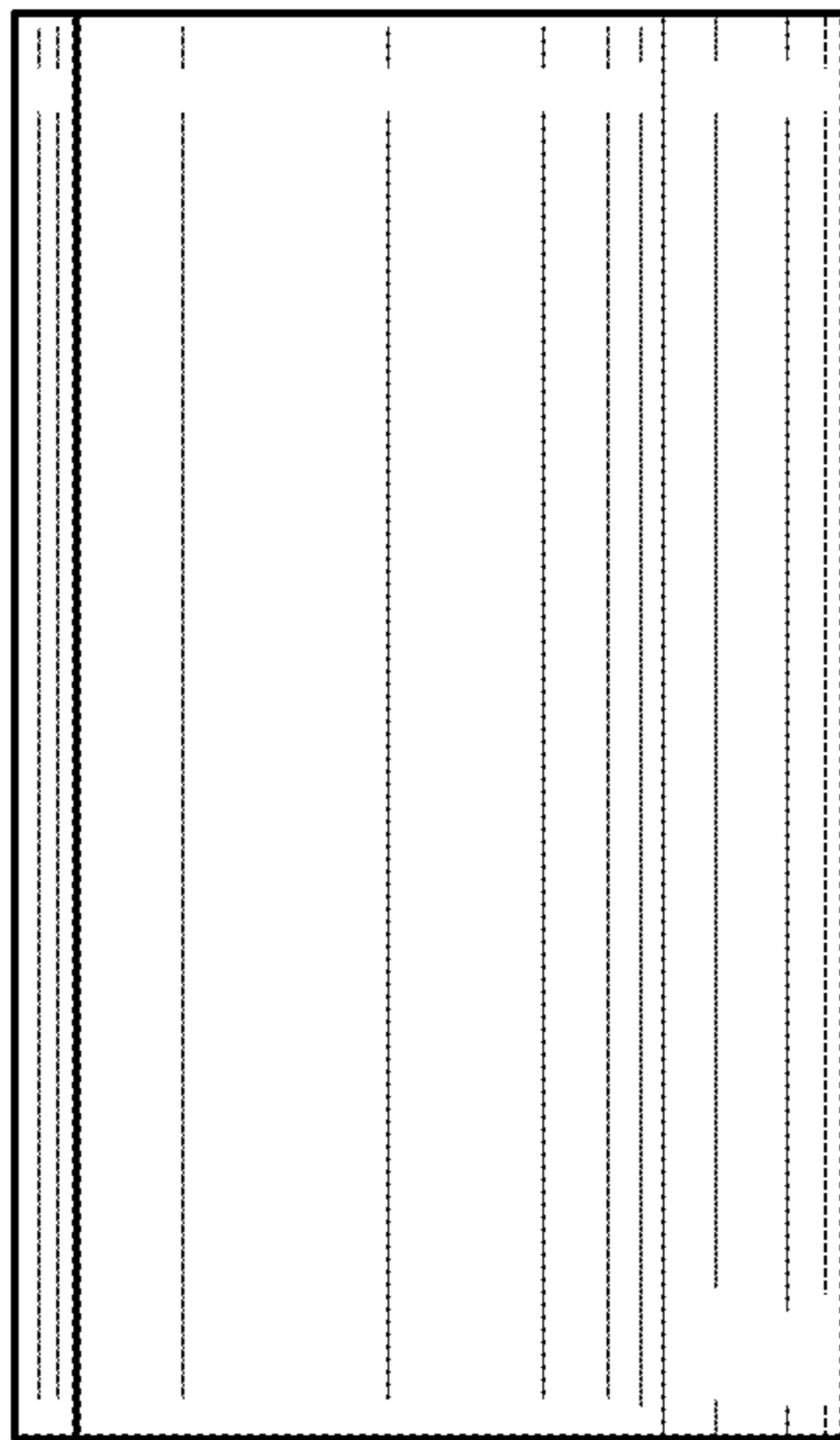


FIG. 5

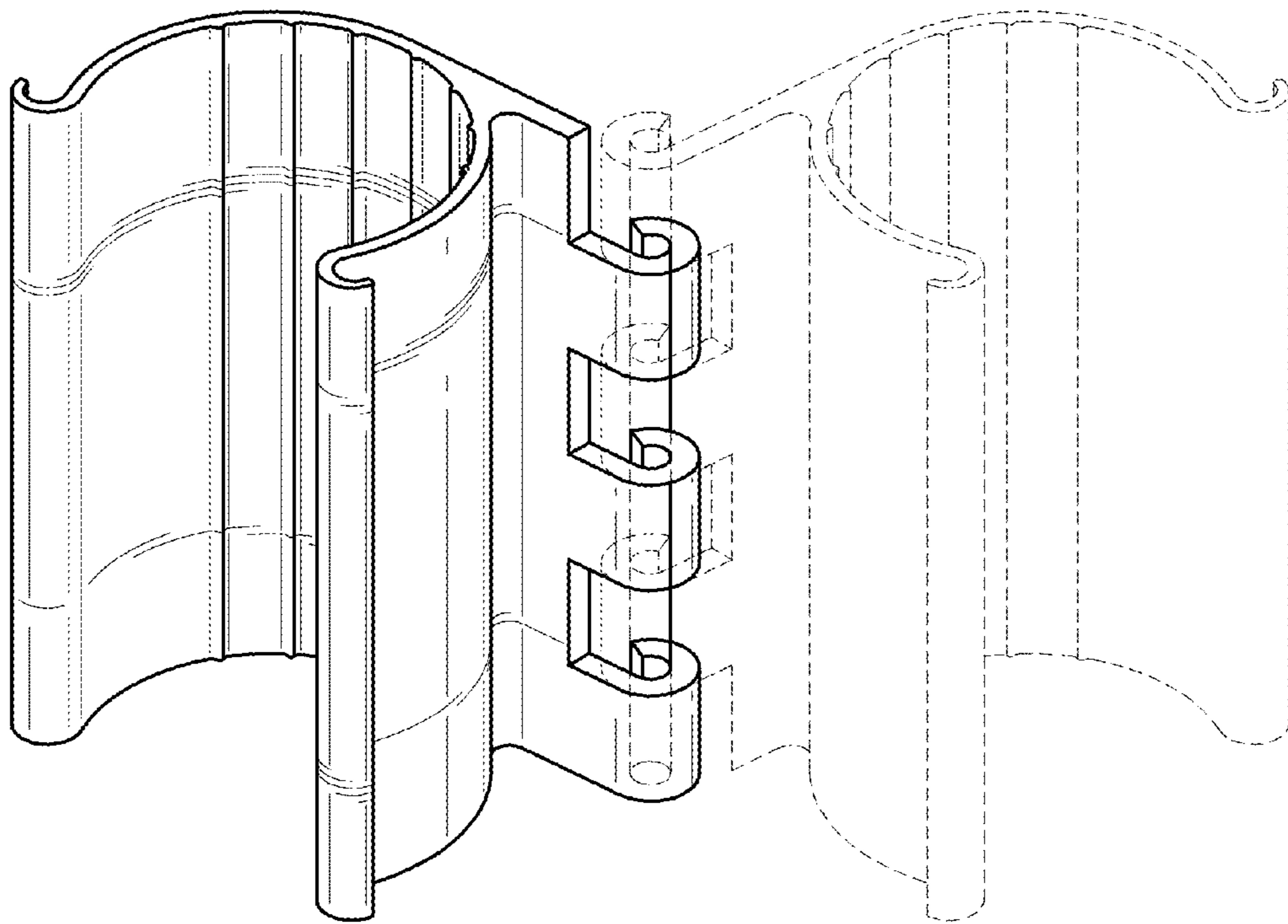


FIG. 6

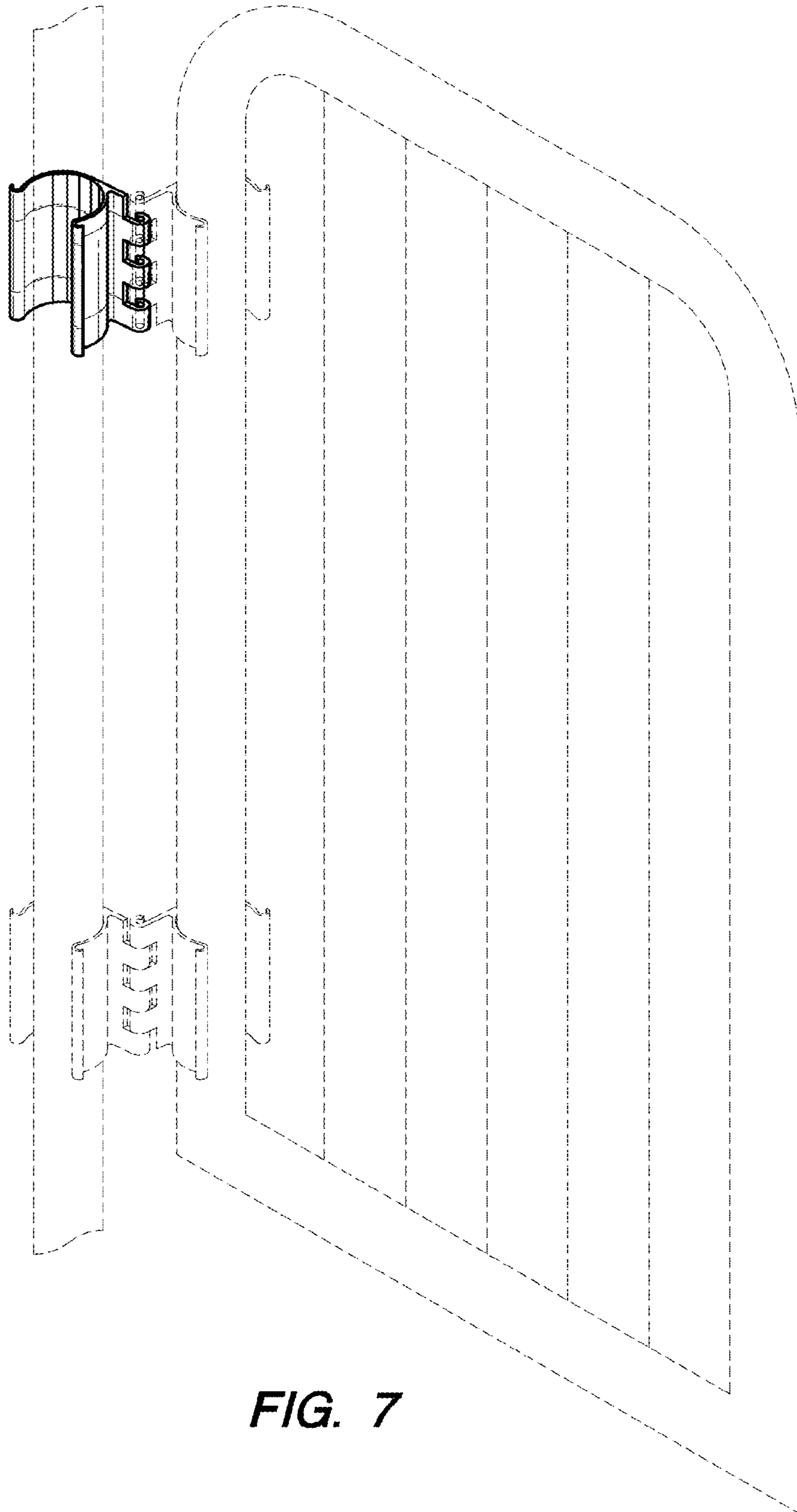


FIG. 7