



US00D729603S

(12) **United States Design Patent**  
**Stephen**

(10) **Patent No.:** **US D729,603 S**

(45) **Date of Patent:** **\*\* May 19, 2015**

(54) **SEPARATOR**

(71) Applicant: **Equalizer International Limited,**  
Aberdeen (GB)

(72) Inventor: **Robert Stephen,** Aberdeenshire (GB)

(73) Assignee: **Equalizer International Limited,**  
Aberdeen (GB)

(\*\*) Term: **14 Years**

(21) Appl. No.: **29/468,556**

(22) Filed: **Oct. 1, 2013**

(30) **Foreign Application Priority Data**

Apr. 22, 2013 (EP) ..... 002224980-0001

(51) **LOC (10) Cl.** ..... **08-01**

(52) **U.S. Cl.**  
USPC ..... **D8/61**

(58) **Field of Classification Search**

CPC ..... A62B 3/005; B66F 15/00; Y10S 269/905  
USPC ..... D8/70, 61, 47; 72/464, 453.16; 2/660;  
254/93 R, 131, 124, 105, 104; 225/97,  
225/103

See application file for complete search history.

(56) **References Cited**

**U.S. PATENT DOCUMENTS**

3,819,153 A \* 6/1974 Hurst et al. .... 254/93 R  
4,273,311 A \* 6/1981 Rio ..... 254/93 R  
4,299,347 A \* 11/1981 Rougier ..... 225/97  
4,712,771 A \* 12/1987 Donnelly et al. .... 254/131  
4,842,249 A \* 6/1989 Weigand ..... 254/93 R  
RE33,002 E \* 8/1989 Brick ..... 30/134

4,869,465 A \* 9/1989 Yirmiyahu et al. .... 254/93 R  
5,374,033 A \* 12/1994 Tilman ..... 254/104  
5,622,353 A \* 4/1997 Painter et al. .... 254/93 R  
5,630,538 A \* 5/1997 Hatakeyama et al. .... 225/103  
6,000,680 A \* 12/1999 Kimura et al. .... 254/93 R  
6,267,354 B1 \* 7/2001 Stephen ..... 254/93 R  
6,880,809 B2 \* 4/2005 Stephen et al. .... 254/105  
D523,314 S \* 6/2006 Kimura ..... D8/70  
7,568,372 B1 \* 8/2009 Patton et al. .... 72/464  
8,016,266 B2 \* 9/2011 Bogert ..... 254/124  
8,128,066 B2 \* 3/2012 Durrant ..... 254/131  
D660,115 S \* 5/2012 Montross ..... D8/47  
8,191,191 B2 \* 6/2012 Montross ..... 5/660  
8,505,877 B2 \* 8/2013 Strohmeier ..... 254/104  
8,800,343 B2 \* 8/2014 Wettlaufer et al. .... 72/453.16

\* cited by examiner

*Primary Examiner* — Austin Murphy

(74) *Attorney, Agent, or Firm* — Drinker Biddle & Reath  
LLP

(57) **CLAIM**

The ornamental design for a separator, as shown and  
described.

**DESCRIPTION**

FIG. 1 is a front isometric view of a separator according to the  
present invention.

FIG. 2 is a rear isometric view of the separator of FIG. 1.

FIG. 3 is a left side view of the separator of FIG. 1.

FIG. 4 is a right side view of the separator of FIG. 1.

FIG. 5 is a front view of the separator of FIG. 1.

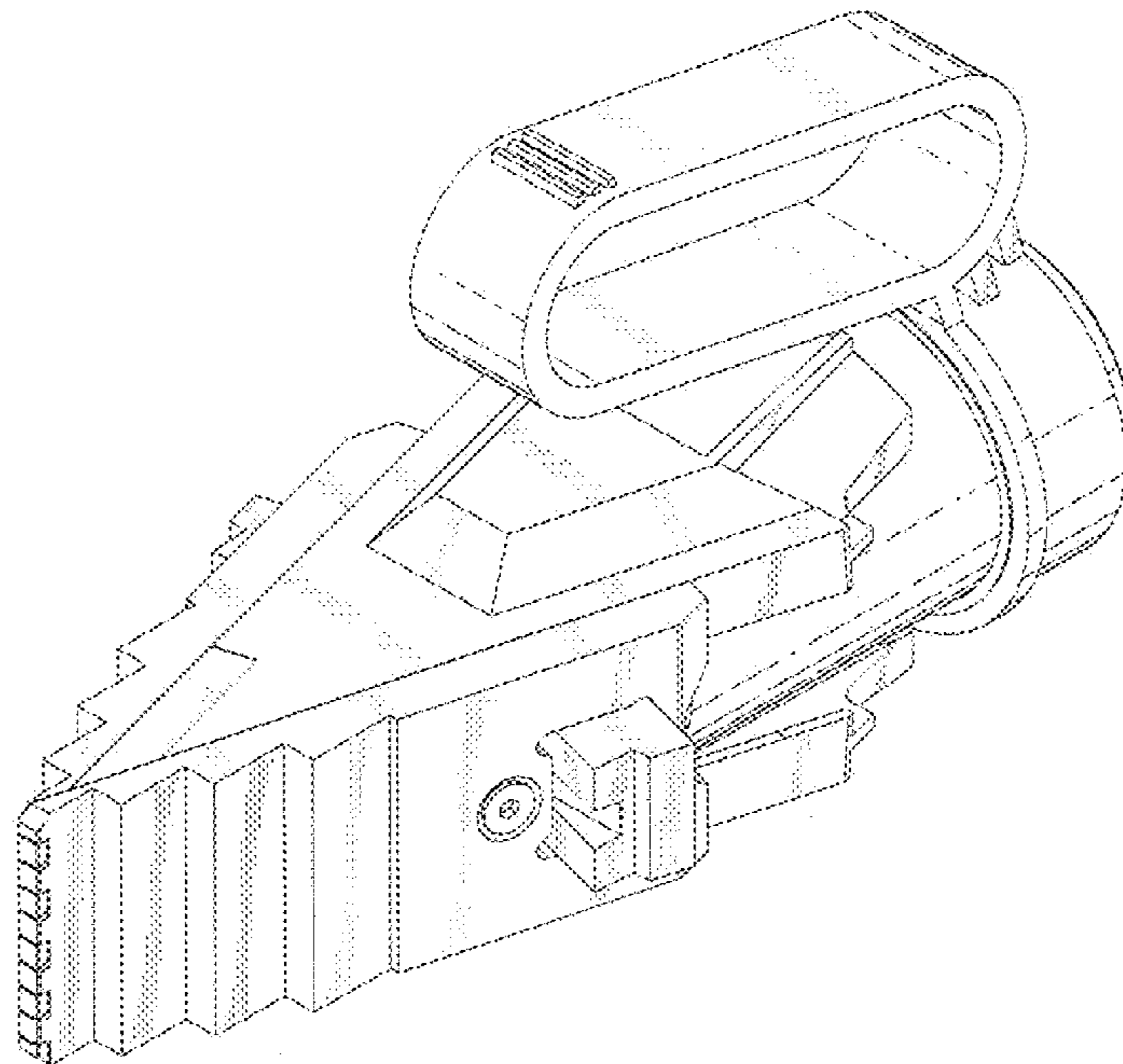
FIG. 6 is a rear view of the separator of FIG. 1.

FIG. 7 is a top view of the separator of FIG. 1.

FIG. 8 is a bottom view of the separator of FIG. 1; and,

FIG. 9 is an isometric exploded view of the separator of FIG.  
1 illustrating two components of the separator removed.

**1 Claim, 6 Drawing Sheets**



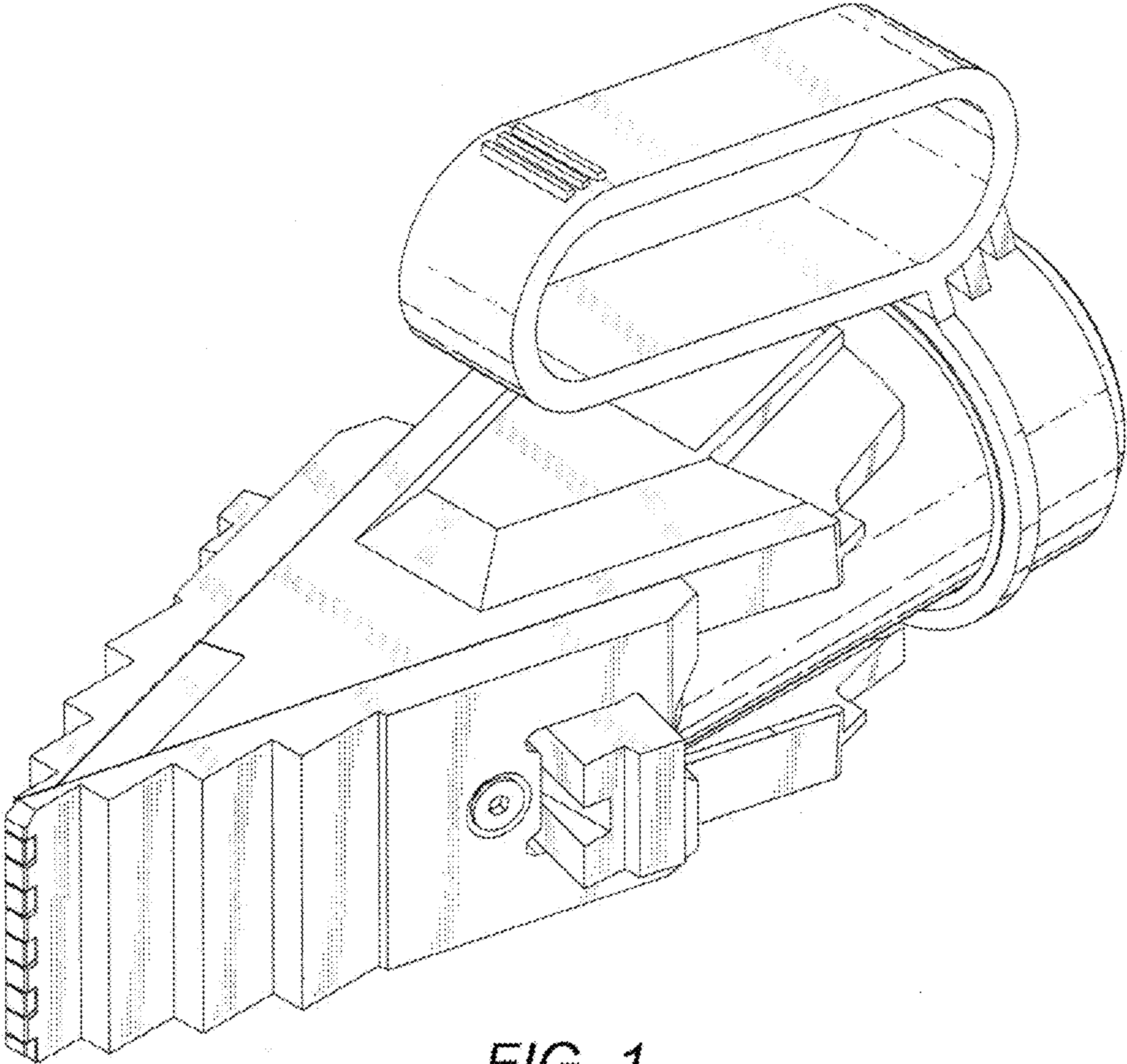


FIG. 1

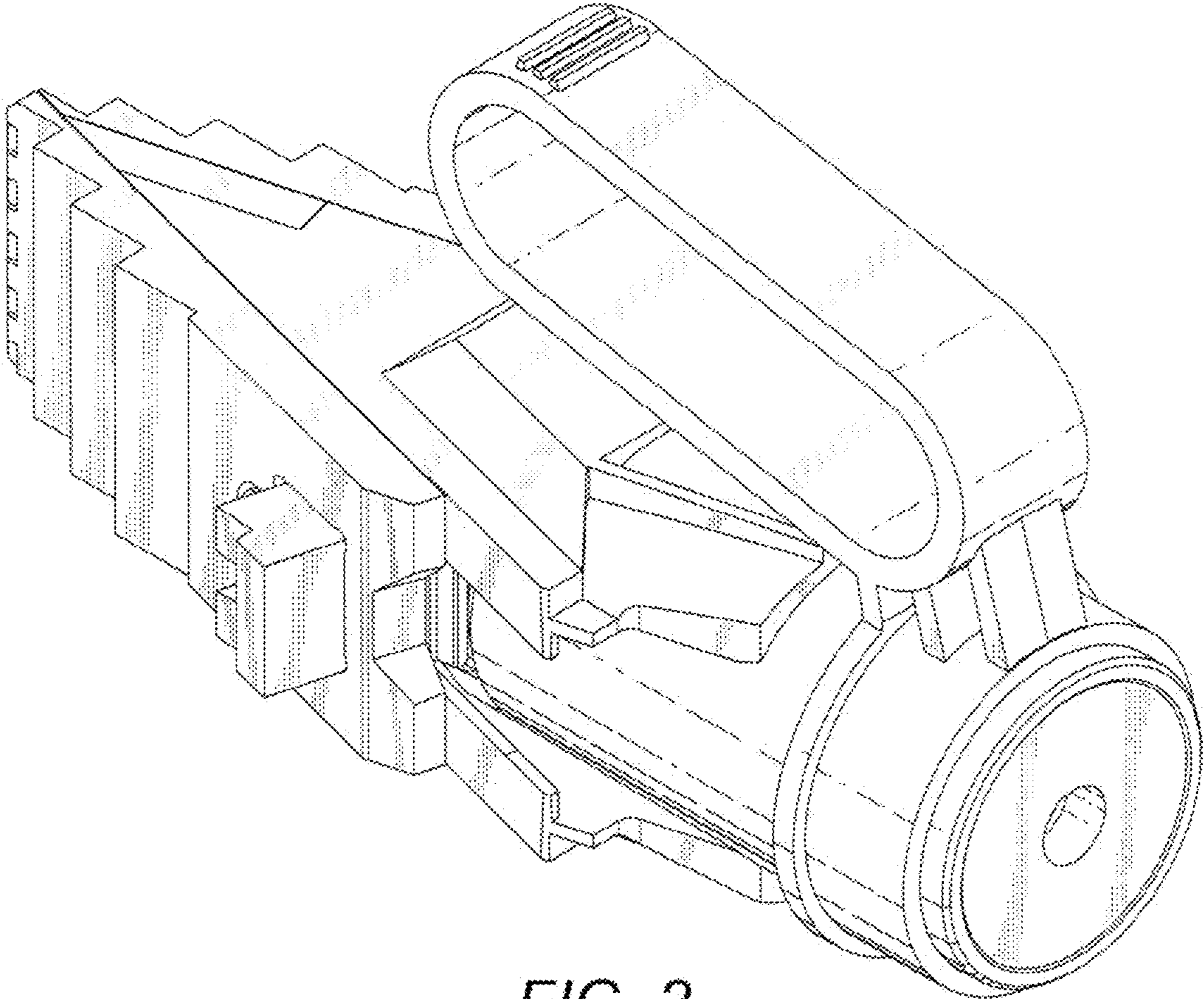


FIG. 2

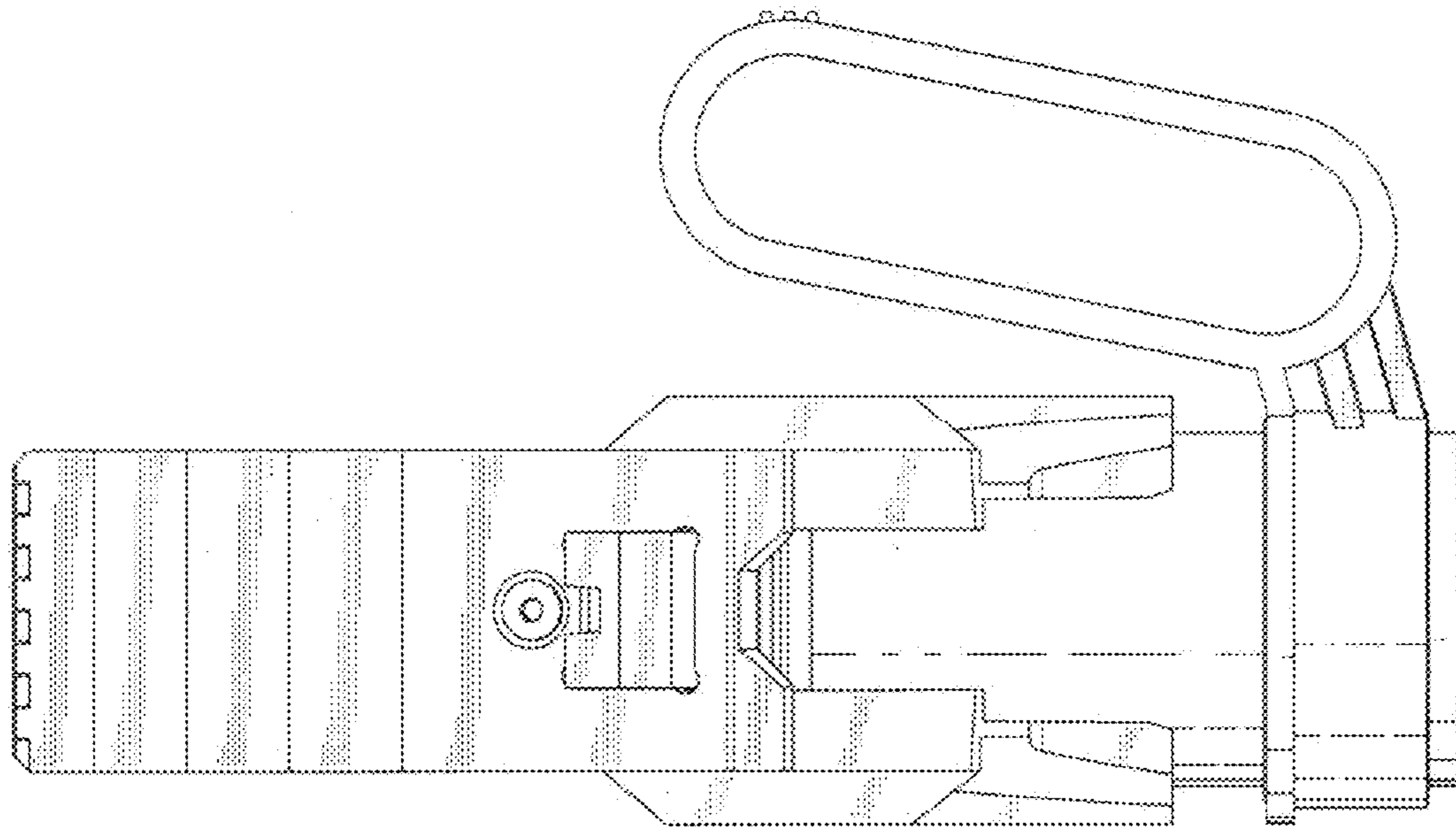


FIG. 3

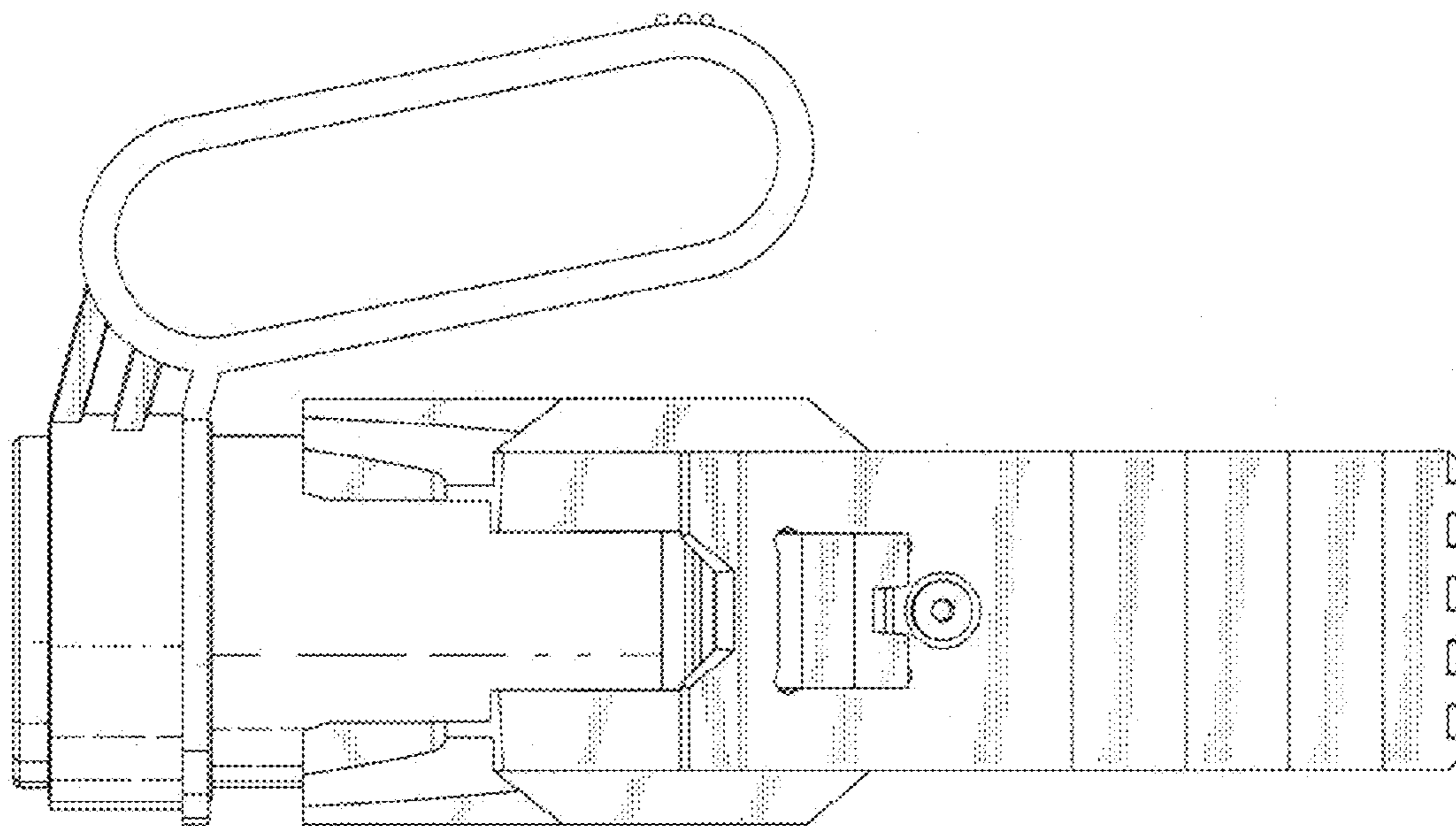


FIG. 4

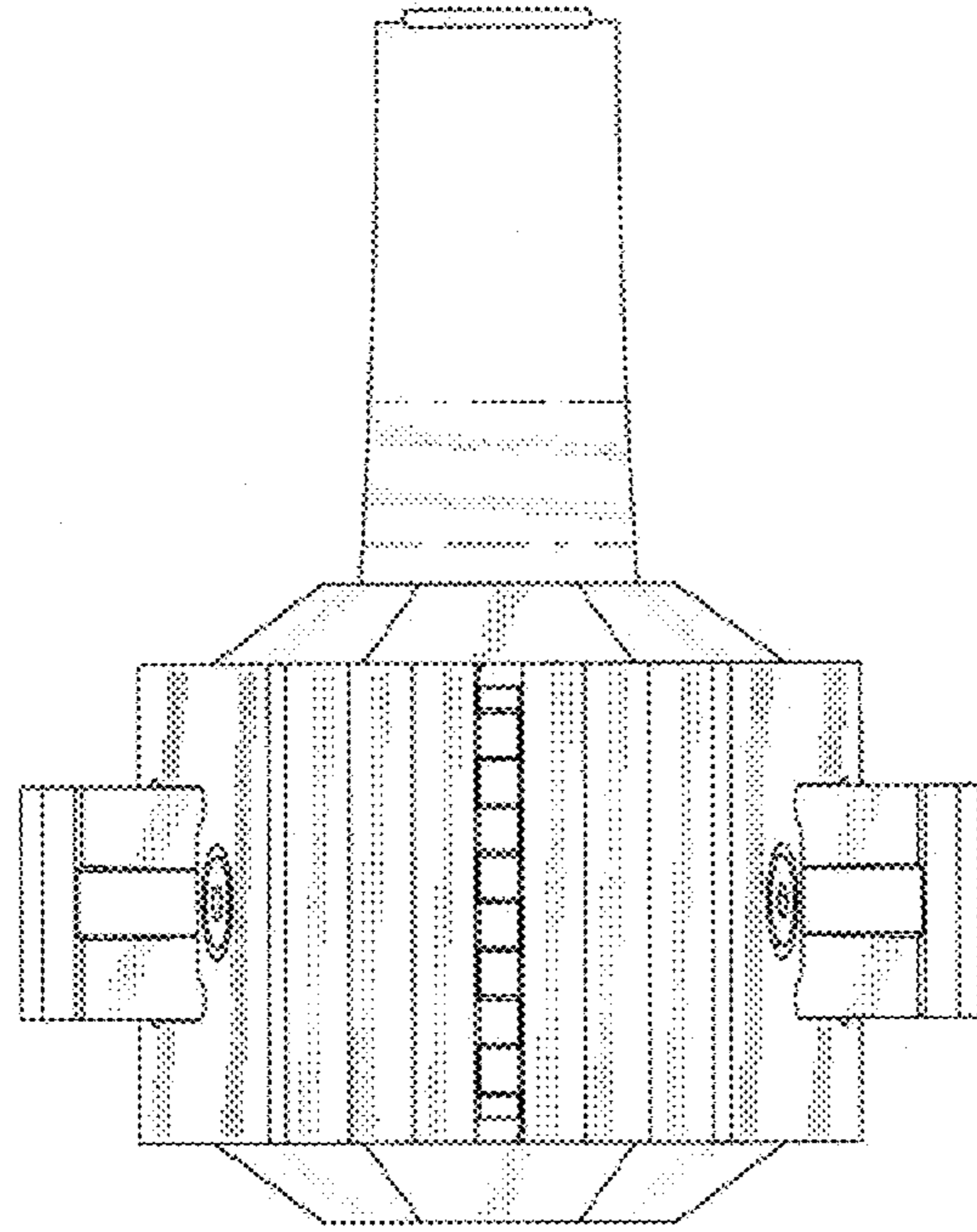


FIG. 5

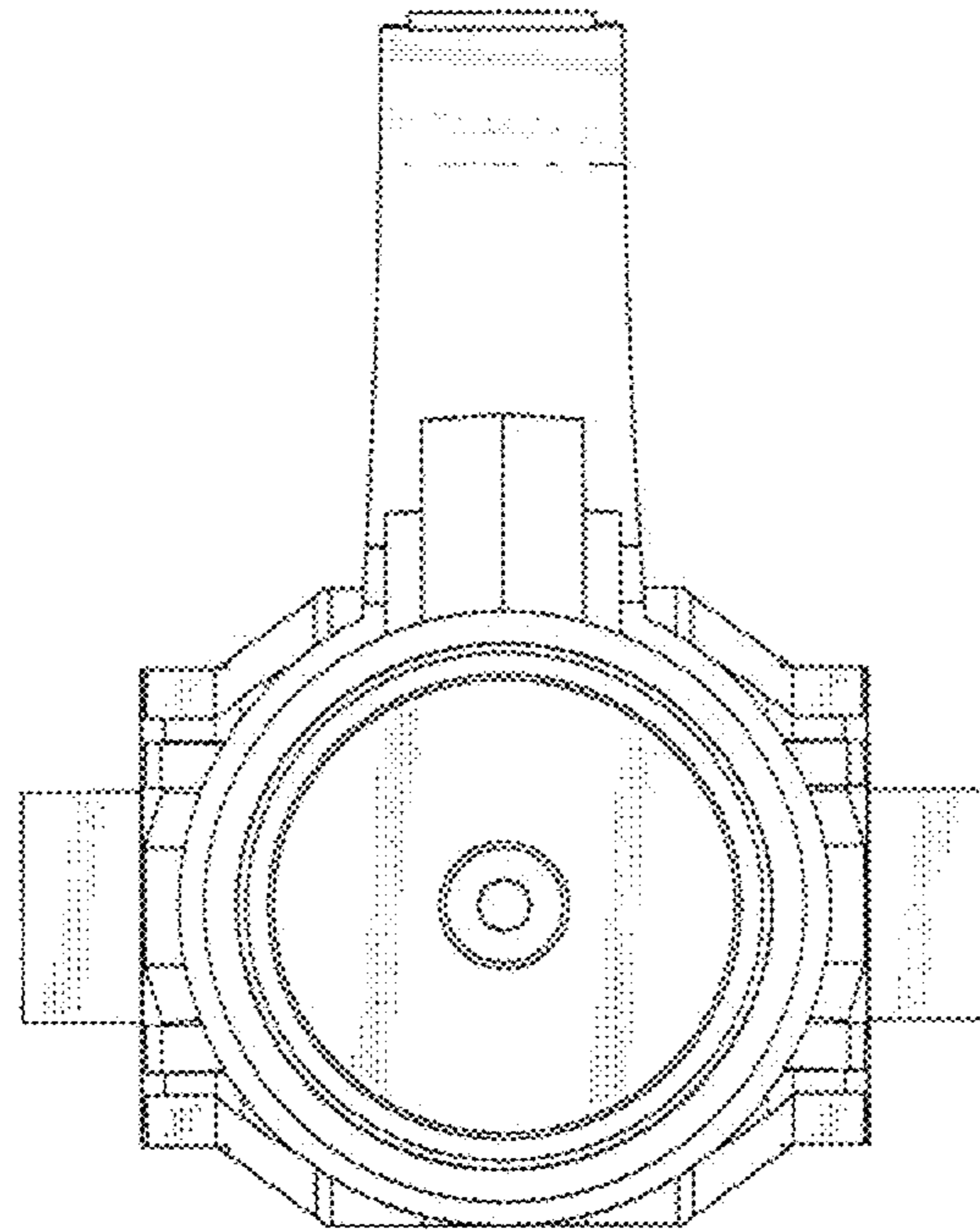


FIG. 6

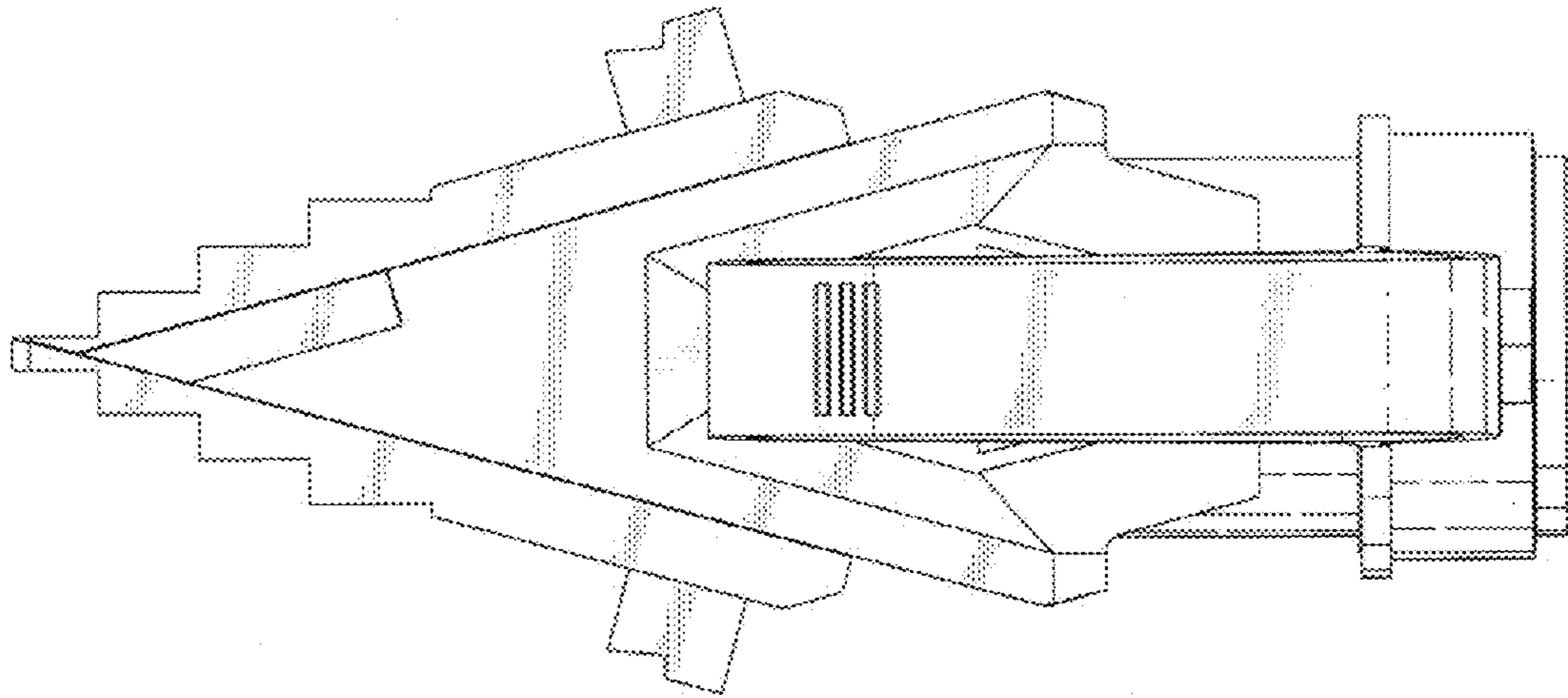


FIG. 7

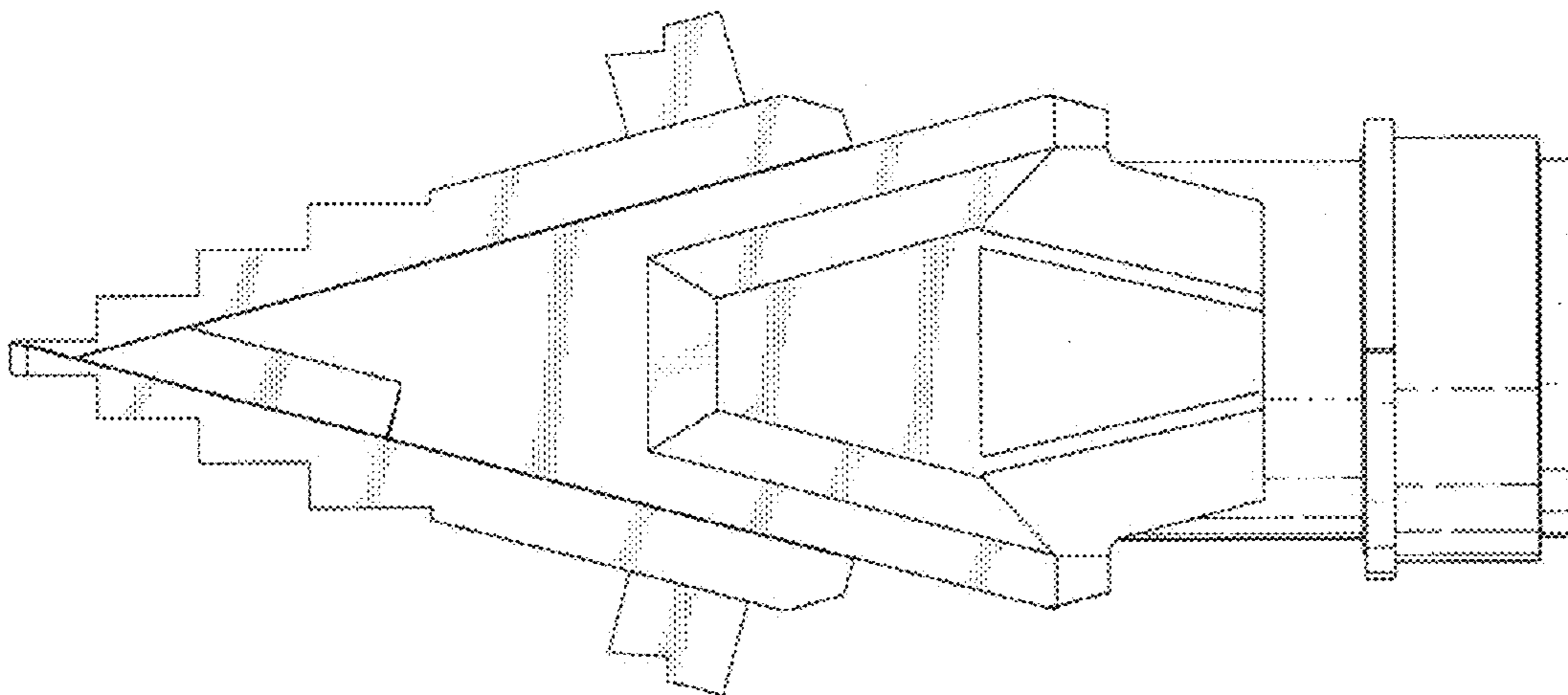


FIG. 8

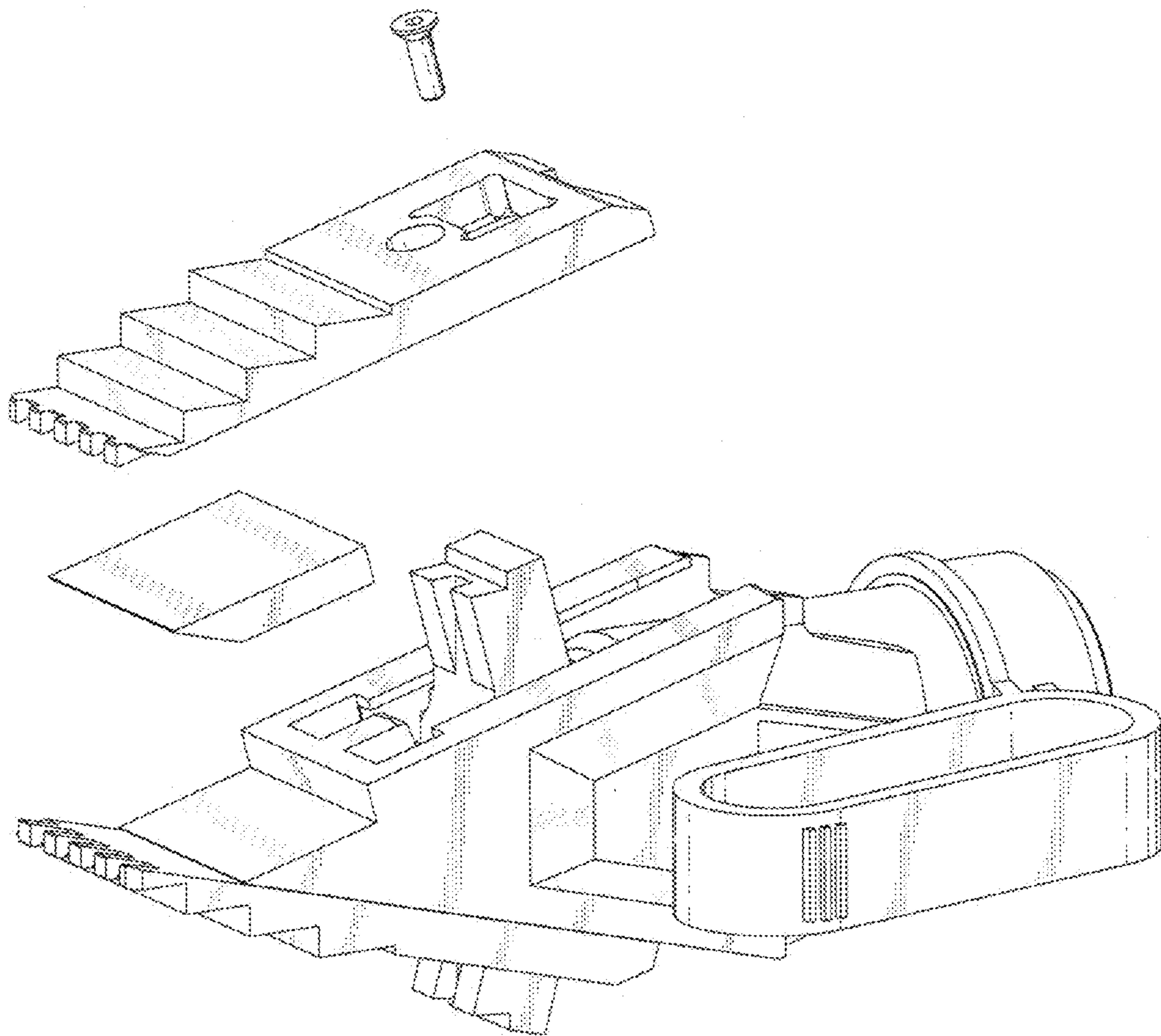


FIG. 9