

US00D729598S

(12) **United States Design Patent**  
**Sagawa**

(10) **Patent No.:** **US D729,598 S**

(45) **Date of Patent:** **\*\* May 19, 2015**

(54) **GRABBER**

(71) Applicant: **Soken Inc.**, Sapporo-shi, Hokkaido (JP)

(72) Inventor: **Kiyomi Sagawa**, Sapporo (JP)

(73) Assignee: **Soken Inc.**, Sapporo-shi, Hokkaido (JP)

(\*\*) Term: **14 Years**

(21) Appl. No.: **29/491,983**

(22) Filed: **May 27, 2014**

(30) **Foreign Application Priority Data**

Nov. 27, 2013 (JP) ..... 2013-027734

(51) **LOC (10) Cl.** ..... **08-05**

(52) **U.S. Cl.**  
USPC ..... **D8/16**

(58) **Field of Classification Search**

CPC ..... H02G 11/02; B65H 75/4476; B65H  
2701/353; B65H 75/241; B65H 75/28; E04G  
21/1825  
USPC ..... D8/356, 358, 359, 19, 16, 45; 242/395,  
242/405.3, 405.2, 118.7, 542.4, 160.4, 366,  
242/400, 370, 400.1; D3/24; D15/16;  
D10/61, 62; 33/414, 413; 248/300,  
248/313, 61, 231.81; 16/257

See application file for complete search history.

(56) **References Cited**

U.S. PATENT DOCUMENTS

205,795	A *	7/1878	Greem	33/566
2,220,069	A *	11/1940	Farwig	294/175
D150,657	S *	8/1948	Richardson	D8/102
2,503,683	A *	4/1950	Perkins	81/3.55
6,823,553	B1 *	11/2004	Paredes	15/105
D547,148	S *	7/2007	Jordan et al.	D8/19
D555,993	S *	11/2007	Huie	D8/19
D570,656	S *	6/2008	Huie	D8/19
D579,739	S *	11/2008	Barone	D8/14
D647,783	S *	11/2011	Pelini	D8/349
D651,490	S *	1/2012	Buonfiglio	D8/16
D698,105	S *	1/2014	Huster	D30/199

\* cited by examiner

*Primary Examiner* — Robert M Spear

*Assistant Examiner* — Eliza Bennett-Hattan

(74) *Attorney, Agent, or Firm* — Muncy, Geissler, Olds & Lowe, P.C.

(57) **CLAIM**

The ornamental design for a grabber, as shown and described.

**DESCRIPTION**

FIG. 1 is a right side view of the grabber showing my new design, the left side view being a mirror image thereof; FIG. 2 is a top plan view thereof; FIG. 3 is a bottom plan view thereof; FIG. 4 is a front elevational view thereof; FIG. 5 is a rear elevational view thereof; and, FIG. 6 is a perspective view showing the grabber in use. The broken line showing is for the purpose of illustrating environmental structure and forms no part of the claimed the design.

**1 Claim, 2 Drawing Sheets**

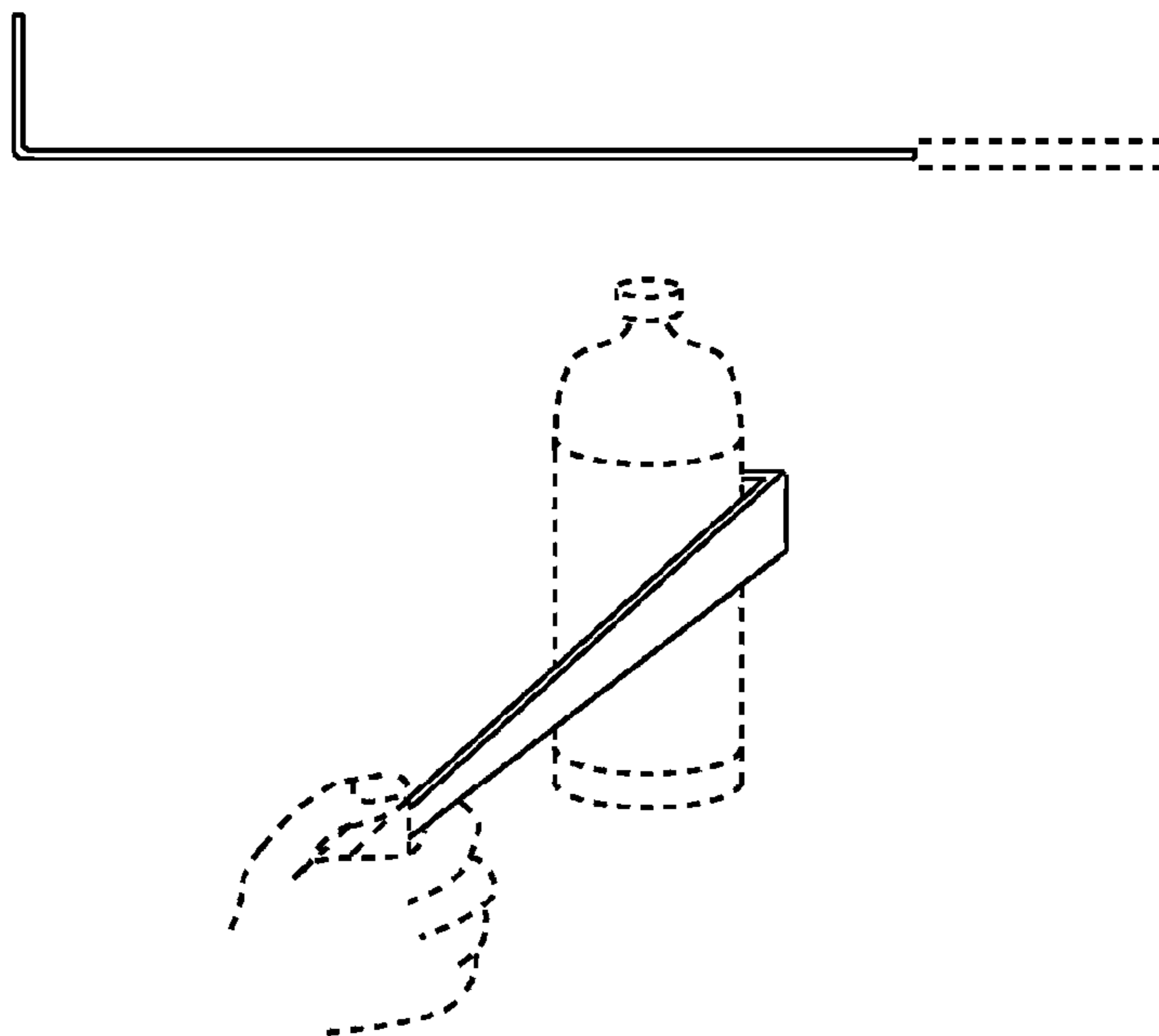


Fig. 1



Fig. 2

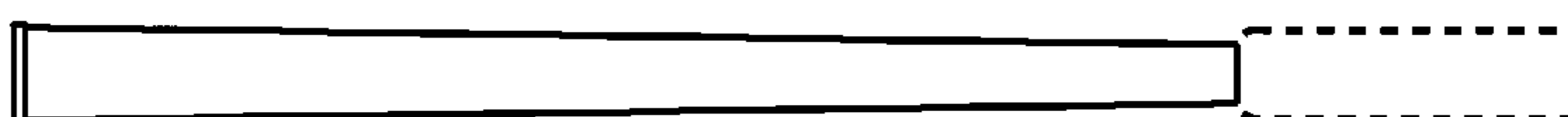
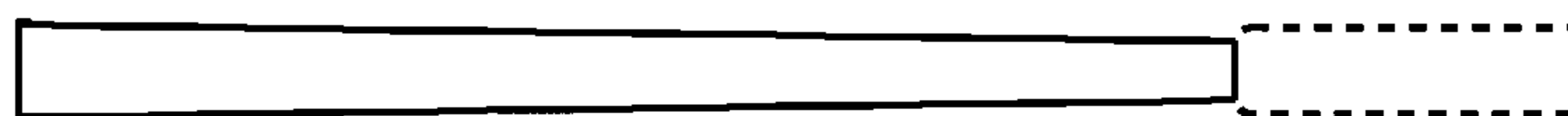


Fig. 3



**Fig. 4**



**Fig. 5**



**Fig. 6**

