



US00D729597S

(12) **United States Design Patent**  
**Bagley**

(10) **Patent No.:** **US D729,597 S**

(45) **Date of Patent:** **\*\* May 19, 2015**

(54) **SLICER**

(71) Applicant: **Progressive International Corporation,**  
Kent, WA (US)

(72) Inventor: **Justin Bagley,** Seattle, WA (US)

(73) Assignee: **Progressive International Corporation,**  
Kent, WA (US)

(\*\*) Term: **14 Years**

(21) Appl. No.: **29/481,330**

(22) Filed: **Feb. 4, 2014**

(51) **LOC (10) Cl.** ..... **07-04**

(52) **U.S. Cl.**  
USPC ..... **D7/693**

(58) **Field of Classification Search**  
CPC ..... B26B 29/025; B26B 3/00; A47J 43/28;  
A24C 1/04  
USPC ..... D7/693, 672-677, 669; 7/110, 113,  
7/158; 99/538, 590, 564, 544, 542, 642,  
99/638; 30/123.1-123.7, 151, 279.4, 299,  
30/353, 278, 314, 315, 114, 142, 298.4,  
30/340

See application file for complete search history.

(56) **References Cited**

U.S. PATENT DOCUMENTS

1,414,098	A *	4/1922	Santana	.....	30/315
4,557,053	A *	12/1985	Hadley, Jr.	.....	30/279.2
4,924,575	A *	5/1990	James	.....	30/315
4,959,905	A *	10/1990	Ghislain	.....	30/298.4
D410,177	S *	5/1999	Carder	.....	D8/15
D488,682	S *	4/2004	Bertke et al.	.....	D7/693
D692,734	S	11/2013	Kent		

\* cited by examiner

*Primary Examiner* — Terry Wallace

(74) *Attorney, Agent, or Firm* — Lowe Graham Jones PLLC

(57) **CLAIM**

I claim the ornamental design for the slicer, as shown and described.

**DESCRIPTION**

FIG. 1 is a top perspective view of the slicer, showing my new design.

FIG. 2 is a front view of the slicer, the back view being a mirror image.

FIG. 3 is a top view of the slicer.

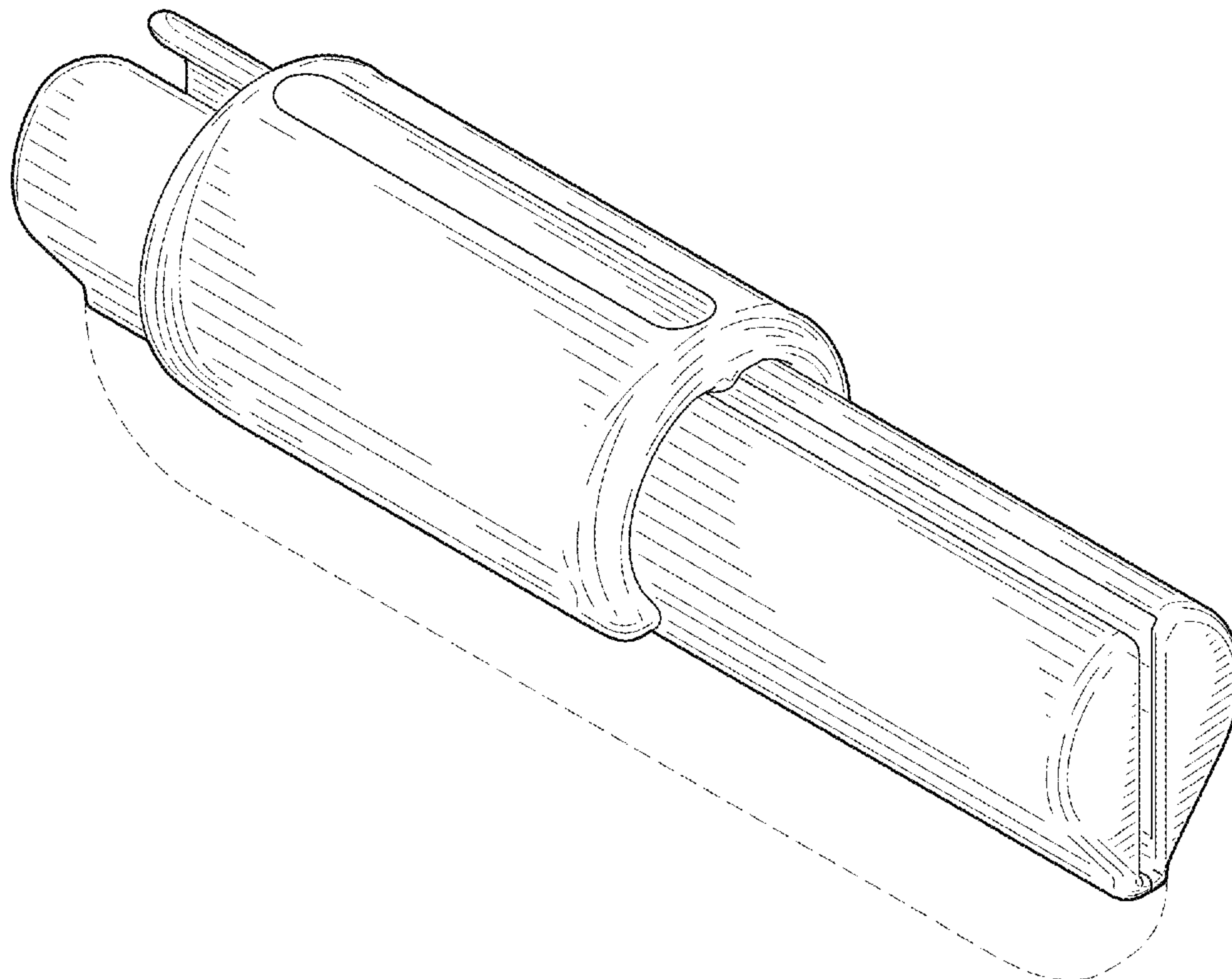
FIG. 4 is a right side view of the slicer.

FIG. 5 is a left side view of the slicer; and,

FIG. 6 is a bottom view of the slicer.

Features shown in broken lines, including a handle formed on a lower end of the slicer, form no part of the claimed invention. Features not visible within the slicer form no part of the claimed invention.

**1 Claim, 5 Drawing Sheets**



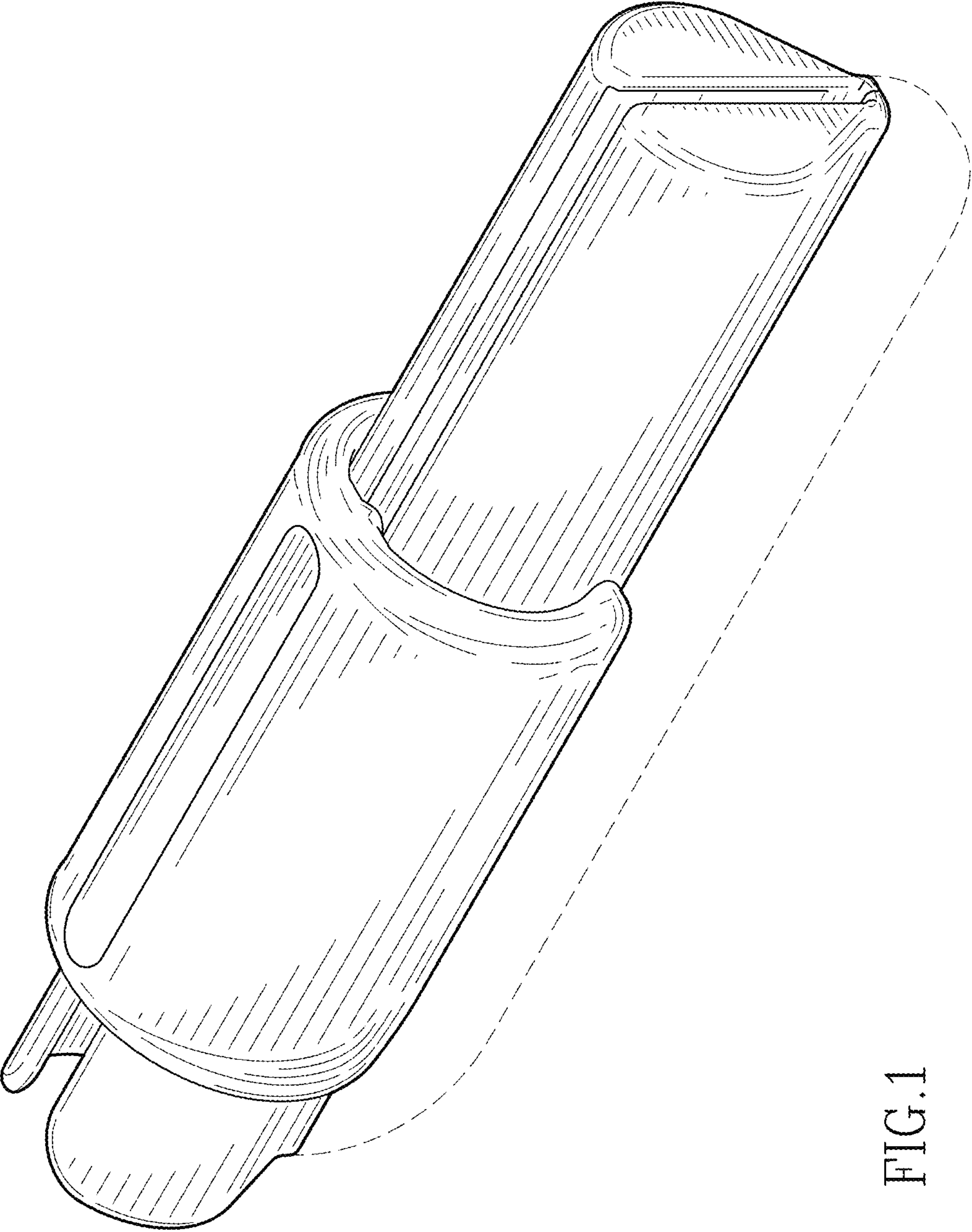


FIG.1

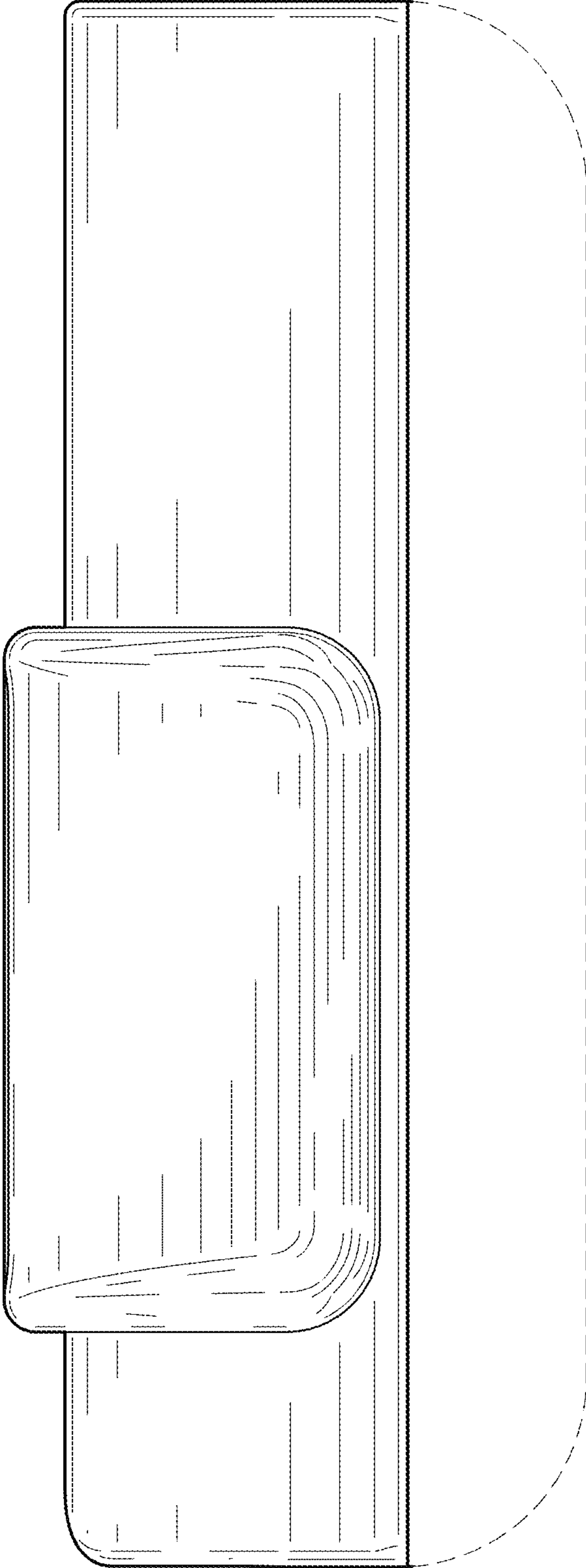


FIG. 2

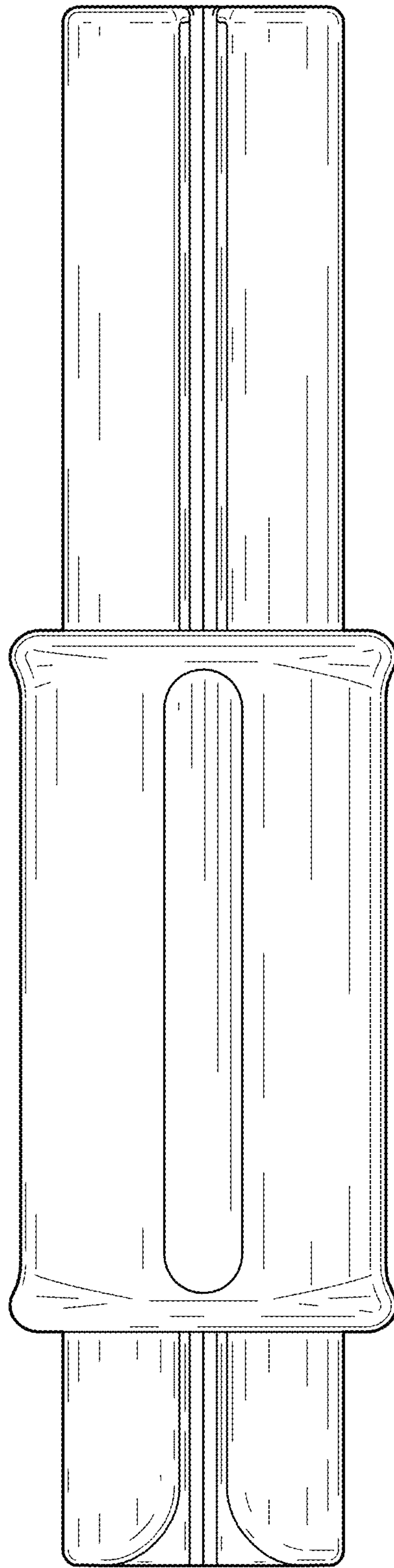


FIG. 3

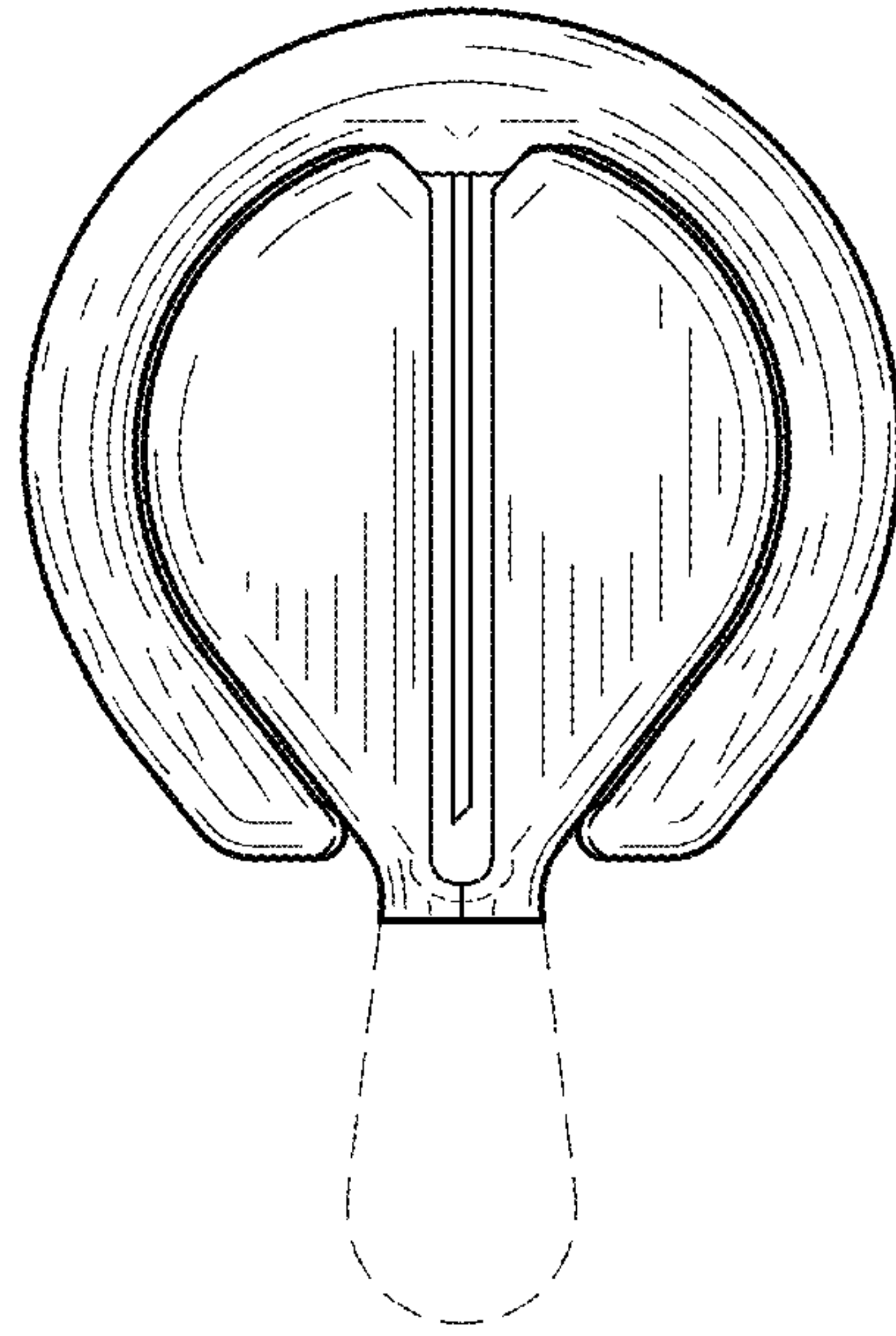


FIG. 4

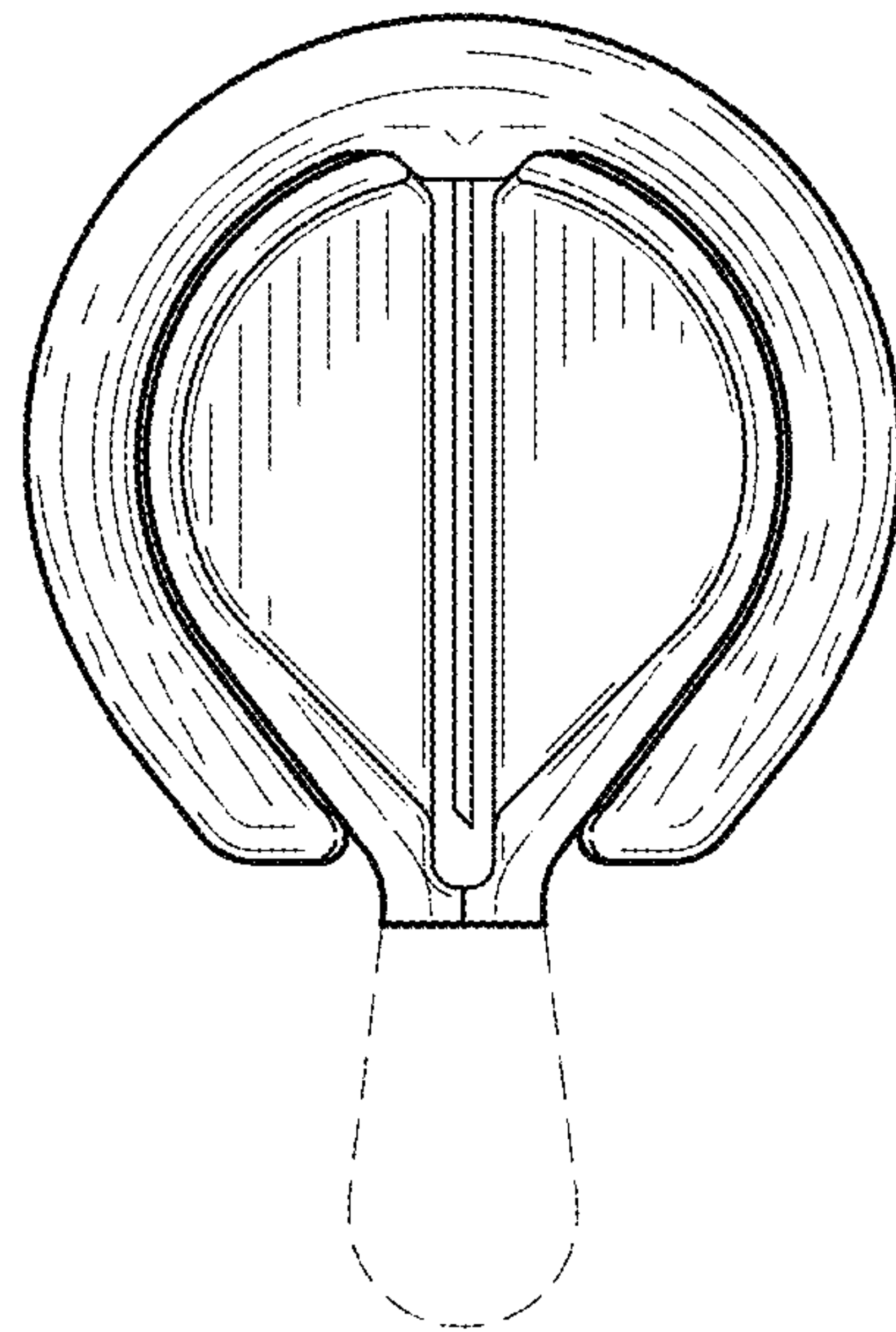


FIG. 5



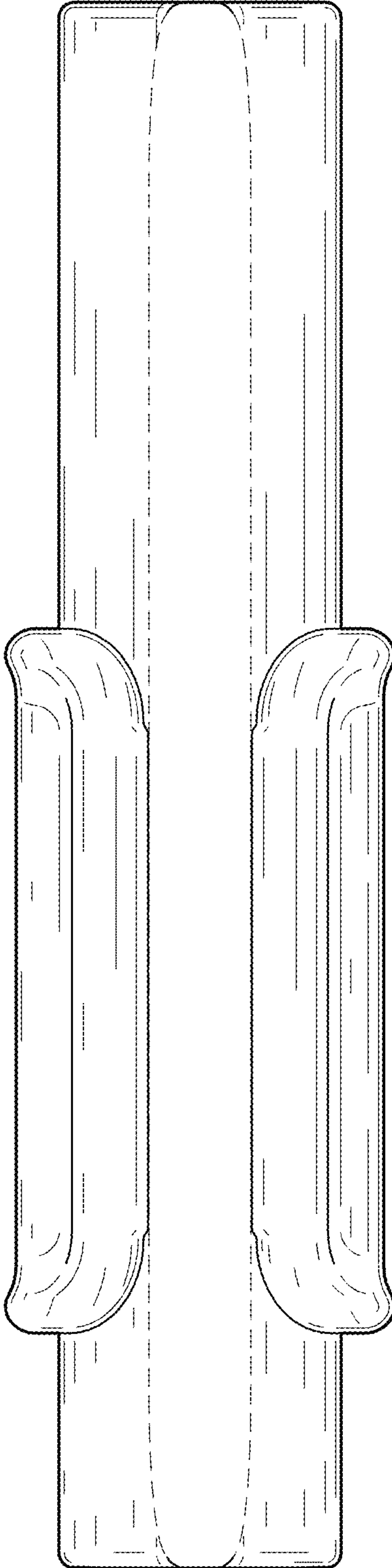


FIG. 6