



US00D729595S

(12) **United States Design Patent**
Hauser et al.

(10) **Patent No.:** **US D729,595 S**
(45) **Date of Patent:** **** May 19, 2015**

(54) **ONION CHOPPER**
(71) Applicant: **Progressive International Corporation,**
Kent, WA (US)
(72) Inventors: **Lawrence M. Hauser,** Auburn, WA
(US); **Sascha Kaposi,** Tacoma, WA (US)
(73) Assignee: **Progressive International Corporation,**
Kent, WA (US)

(**) Term: **14 Years**

(21) Appl. No.: **29/481,250**

(22) Filed: **Feb. 3, 2014**

(51) **LOC (10) Cl.** **07-04**

(52) **U.S. Cl.**
USPC **D7/693**

(58) **Field of Classification Search**
USPC D7/693, 678, 669, 368, 672-676;
30/124, 299; 83/167, 435.15, 564,
83/466.1, 522.11, 597, 932, 599, 651.1,
83/697; 99/537, 538, 552-556, 559-564,
99/646 C, 967, 580, 467, 543
See application file for complete search history.

(56) **References Cited**

U.S. PATENT DOCUMENTS

2,720,234 A 10/1955 Fett
D307,532 S 5/1990 Cautereels et al.
D331,687 S * 12/1992 Gilbert D7/678

5,303,472 A 4/1994 Mbanugo
5,692,424 A * 12/1997 Wallace 83/932
5,704,485 A * 1/1998 Cautereels et al. 220/23.83
D447,019 S 8/2001 Wong
6,805,032 B2 10/2004 Engdahl
D499,615 S * 12/2004 Nordgren D7/674
D519,001 S * 4/2006 So D7/678
7,191,691 B2 3/2007 Kaposi
D546,638 S 7/2007 Kaposi
D548,022 S 8/2007 Kaposi
D548,025 S 8/2007 Kaposi
7,762,169 B2 7/2010 Kaposi
7,992,476 B2 8/2011 Kaposi
2004/0055437 A1 * 3/2004 Engdahl 30/299

* cited by examiner

Primary Examiner — Terry Wallace

(74) *Attorney, Agent, or Firm* — Lowe Graham Jones PLLC

(57) **CLAIM**

The ornamental design for an onion chopper, as shown and described.

DESCRIPTION

FIG. 1 is a top perspective view of the onion chopper, showing my new design.

FIG. 2 is a top view of the onion chopper.

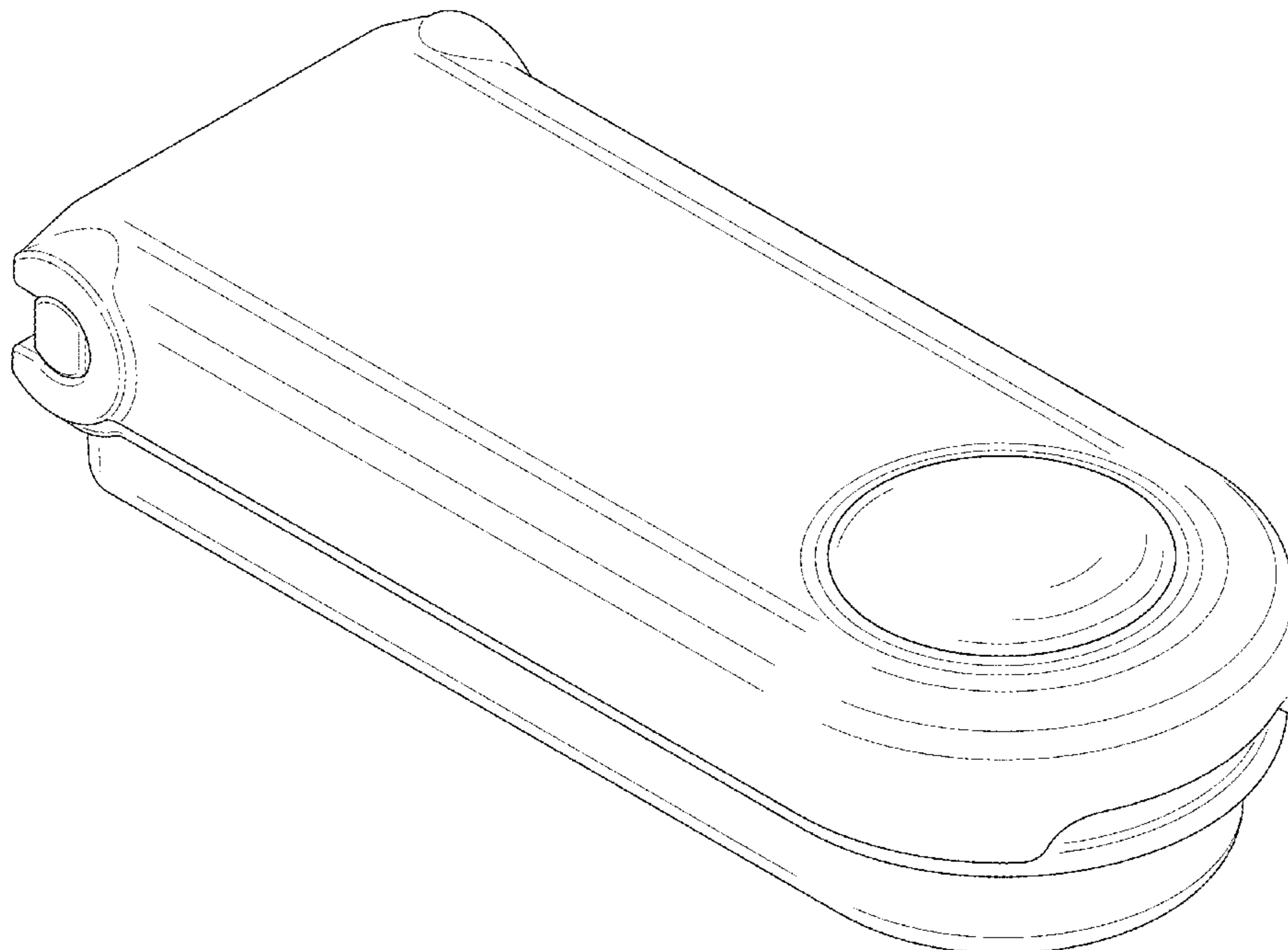
FIG. 3 is a right side view of the onion chopper, the left side view being a mirror image.

FIG. 4 is a front view of the onion chopper.

FIG. 5 is a back view of the onion chopper; and,

FIG. 6 is a bottom view of the onion chopper.

1 Claim, 5 Drawing Sheets



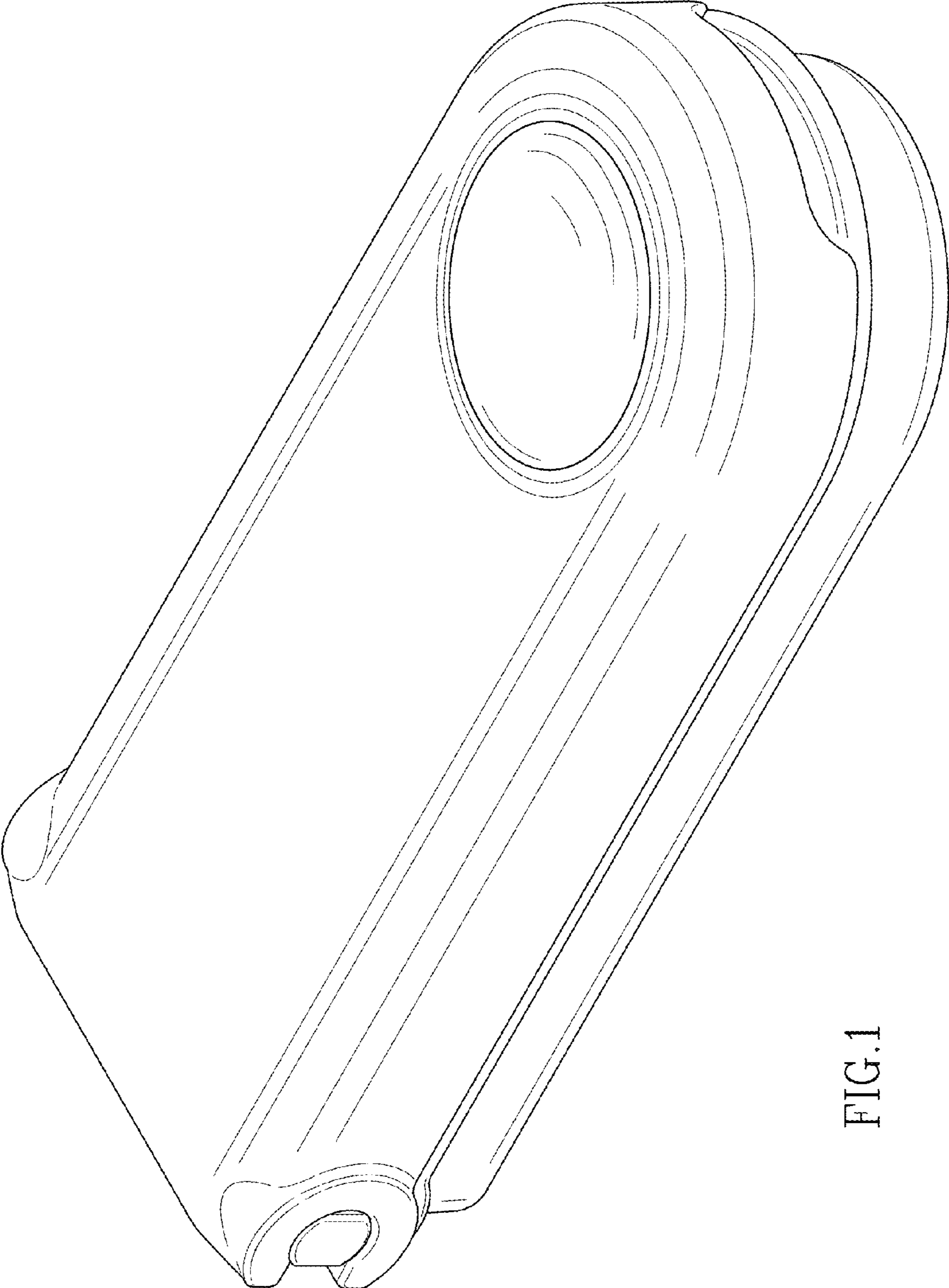


FIG.1

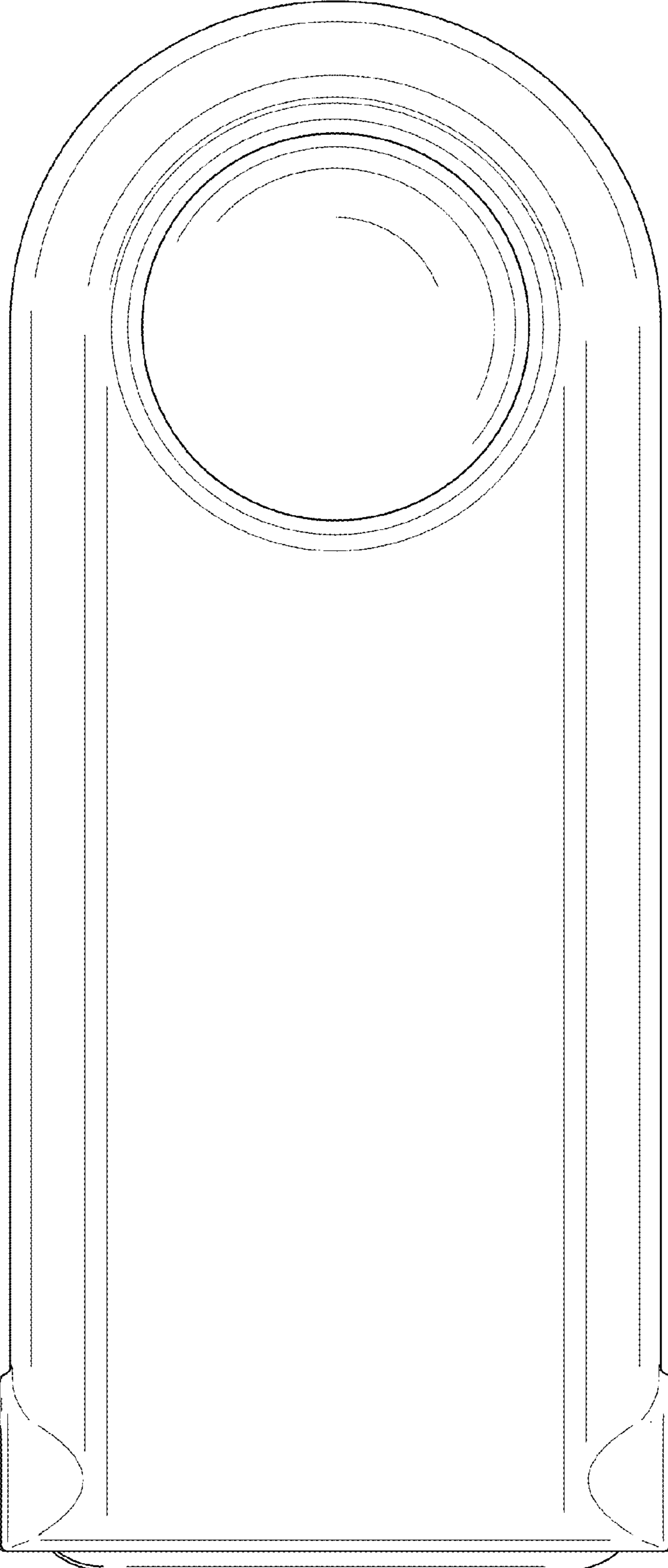


FIG.2

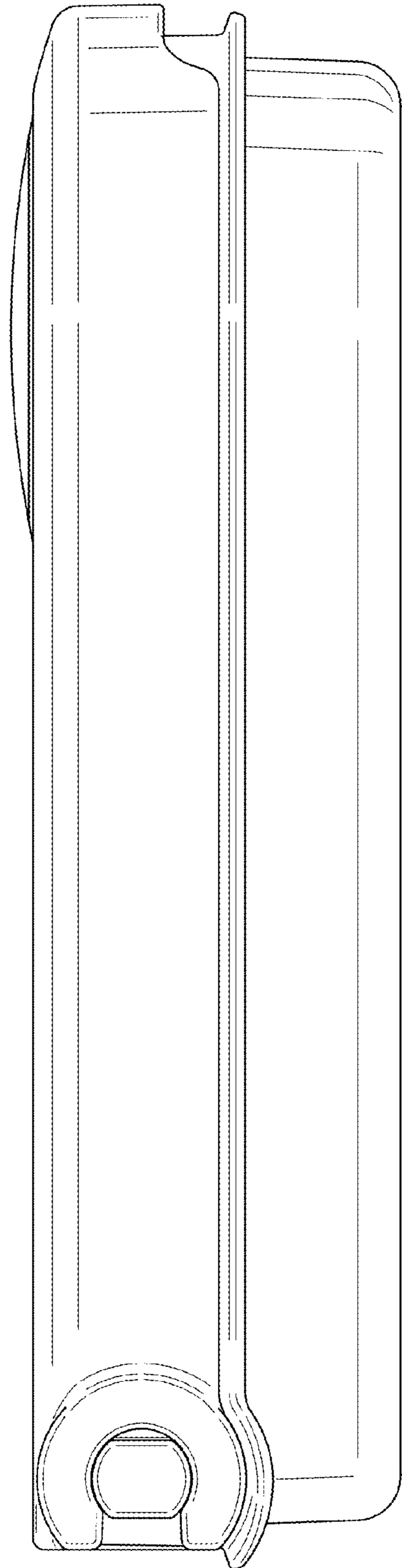


FIG.3

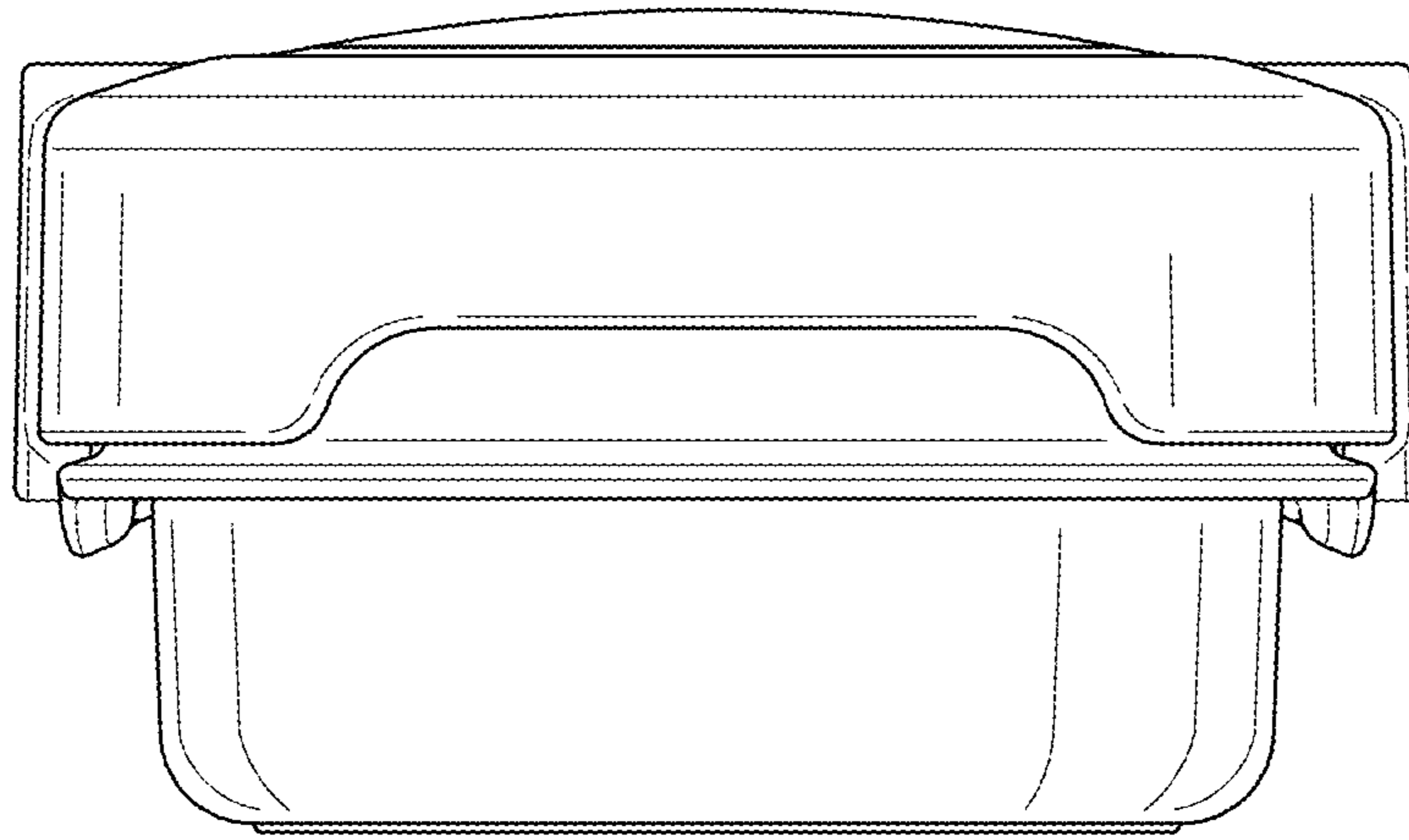


FIG. 4

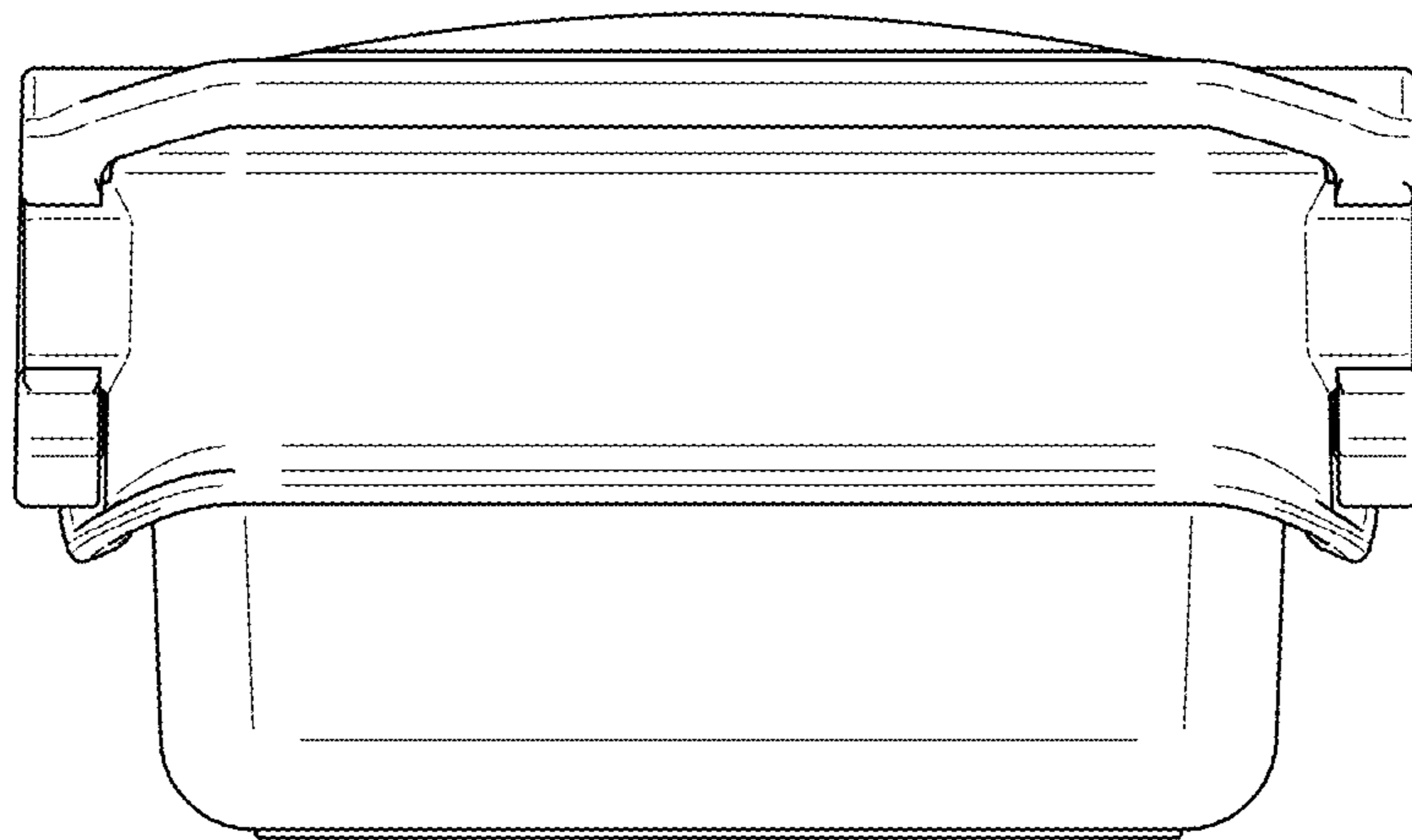


FIG. 5

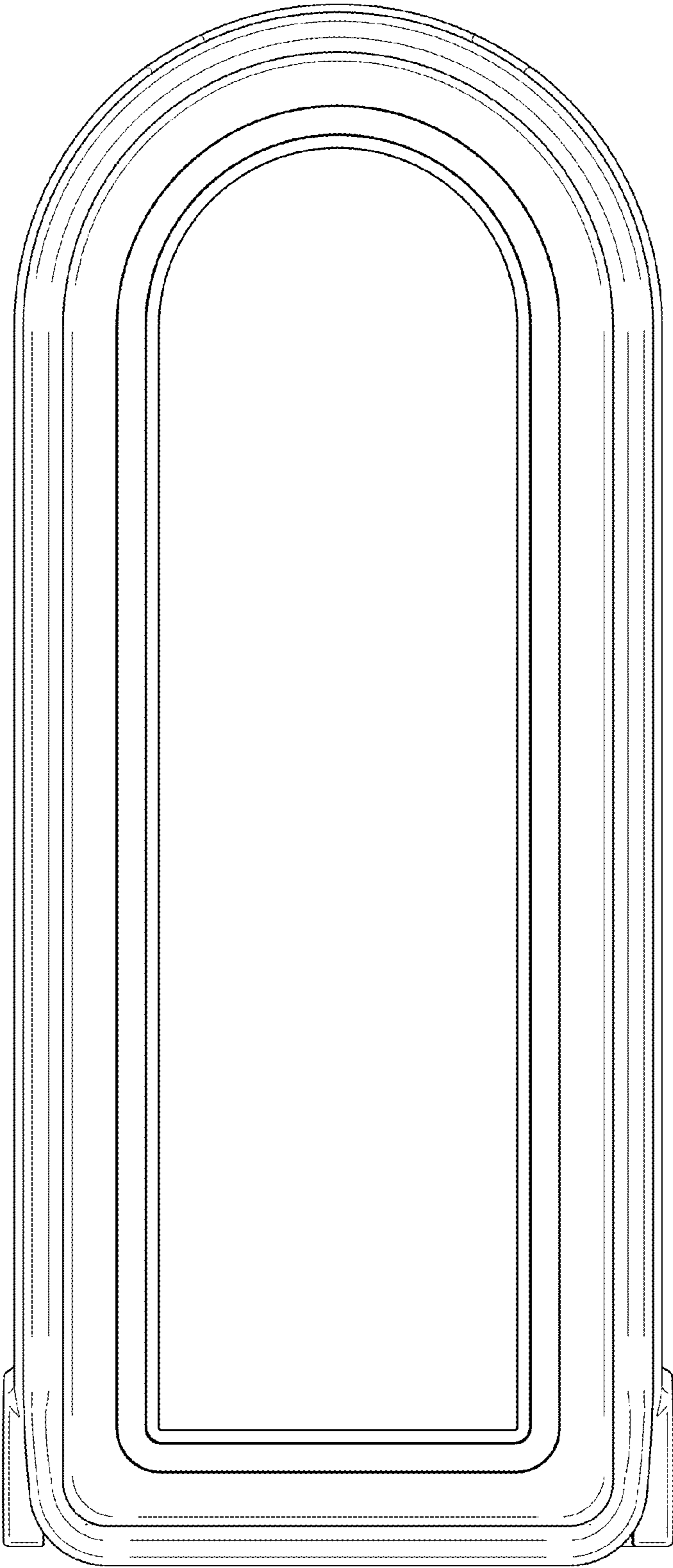


FIG. 6