



US00D729592S

(12) **United States Design Patent**  
**Alavian et al.**

(10) **Patent No.:** **US D729,592 S**  
(45) **Date of Patent:** **\*\* May 19, 2015**

(54) **JUICE EXTRACTOR**

(71) Applicants: **Alireza Alavian**, Irvine, CA (US);  
**Joshua Paul Roos**, Irvine, CA (US)

(72) Inventors: **Alireza Alavian**, Irvine, CA (US);  
**Joshua Paul Roos**, Irvine, CA (US)

(\*\*) Term: **14 Years**

(21) Appl. No.: **29/494,633**

(22) Filed: **Jun. 23, 2014**

**Related U.S. Application Data**

(63) Continuation-in-part of application No. 29/467,290,  
filed on Sep. 18, 2013, now Pat. No. Des. 707,502.

(51) **LOC (10) Cl.** ..... **07-04**

(52) **U.S. Cl.**  
USPC ..... **D7/665**

(58) **Field of Classification Search**

CPC ..... A47J 19/022; A47J 19/00; A47J 19/02;  
A23N 1/00; A23N 1/003; A47G 19/2272;  
B65D 47/06; B65D 47/043; B65D 47/046;  
B65D 25/40; B65D 25/48; B65D 25/42;  
B65D 77/068; B65D 2517/0049; B65D 5/746;  
B65D 77/067  
USPC ..... D7/665-667, 398, 397, 392, 300.1, 300,  
D7/510, 511, 396.2, 303, 302, 312, 313,  
D7/316, 368; D9/440, 441, 434, 435, 436,  
D9/447, 439; 220/709; 100/108, 104, 133,  
100/135, 125, 134, 211, 37; 215/388, 11.1;  
222/81, 90, 89, 91, 189.06, 215, 484;  
99/495-513

See application file for complete search history.

(56) **References Cited**

**U.S. PATENT DOCUMENTS**

1,649,755 A \* 11/1927 Thompson ..... 100/108  
1,747,957 A \* 2/1930 Silveus ..... 100/108

1,882,065	A *	10/1932	Cody	100/108
1,885,011	A *	10/1932	Goudiss, Jr.	100/108
1,889,883	A *	12/1932	Cody	100/108
1,951,219	A *	3/1934	Strand	100/108
1,965,910	A *	7/1934	Schiller	100/108
2,579,032	A *	12/1951	Comotto	100/108
2,746,379	A *	5/1956	Covington	100/108
D213,485	S *	3/1969	Schiller	D7/665
D360,580	S *	7/1995	Bomareto	D9/447
5,855,298	A *	1/1999	Teetsel et al.	222/81
D418,417	S *	1/2000	Hollinger	D9/440
D421,908	S *	3/2000	Abrams	D9/440
D422,854	S *	4/2000	Wallays	D7/696
6,478,058	B1 *	11/2002	Pears	141/353
6,568,319	B2 *	5/2003	Schrader et al.	100/108
D614,443	S *	4/2010	Federighi	D7/398
D663,580	S *	7/2012	Vagnby	D7/400
D677,525	S *	3/2013	Luebke	D7/398
D678,767	S *	3/2013	Haley	D9/440
D678,768	S *	3/2013	Agassi et al.	D9/440
D681,456	S *	5/2013	Agarwal et al.	D9/440
D688,127	S *	8/2013	Agassi et al.	D9/440

(Continued)

*Primary Examiner* — Ian Simmons

*Assistant Examiner* — Shannon Morgan

(74) *Attorney, Agent, or Firm* — Lazaris IP

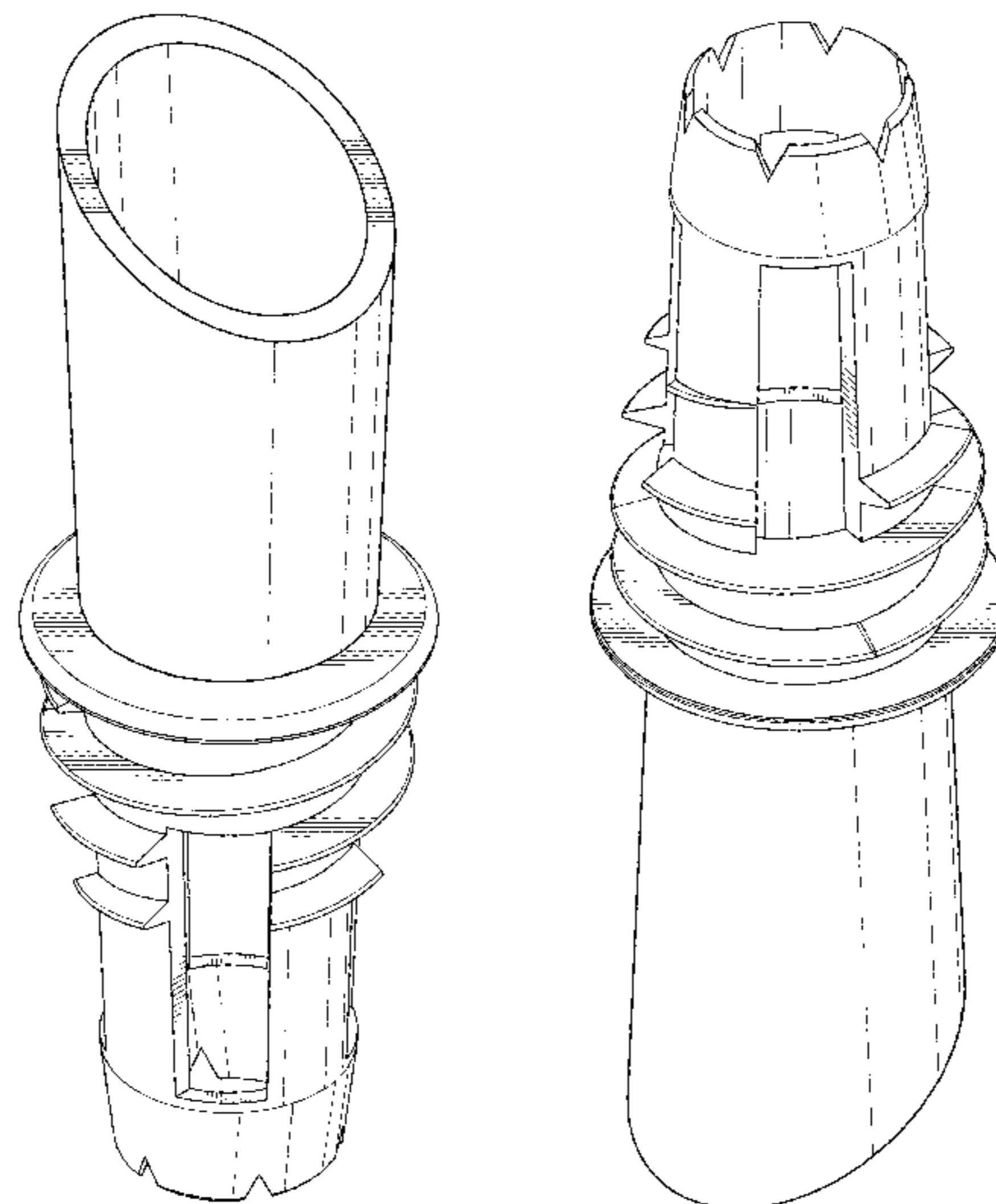
(57) **CLAIM**

The ornamental design for a juice extractor, as shown and described.

**DESCRIPTION**

FIG. 1 is a top, front, right side perspective view of a juice extractor showing our new design;  
FIG. 2 is a bottom, rear, left side perspective view thereof;  
FIG. 3 is a front elevational view thereof;  
FIG. 4 is a rear elevational view thereof;  
FIG. 5 is a right side elevational view thereof;  
FIG. 6 is a left side elevational view thereof;  
FIG. 7 is a top plan view thereof; and,  
FIG. 8 is a bottom plan view thereof.

**1 Claim, 5 Drawing Sheets**



(56)

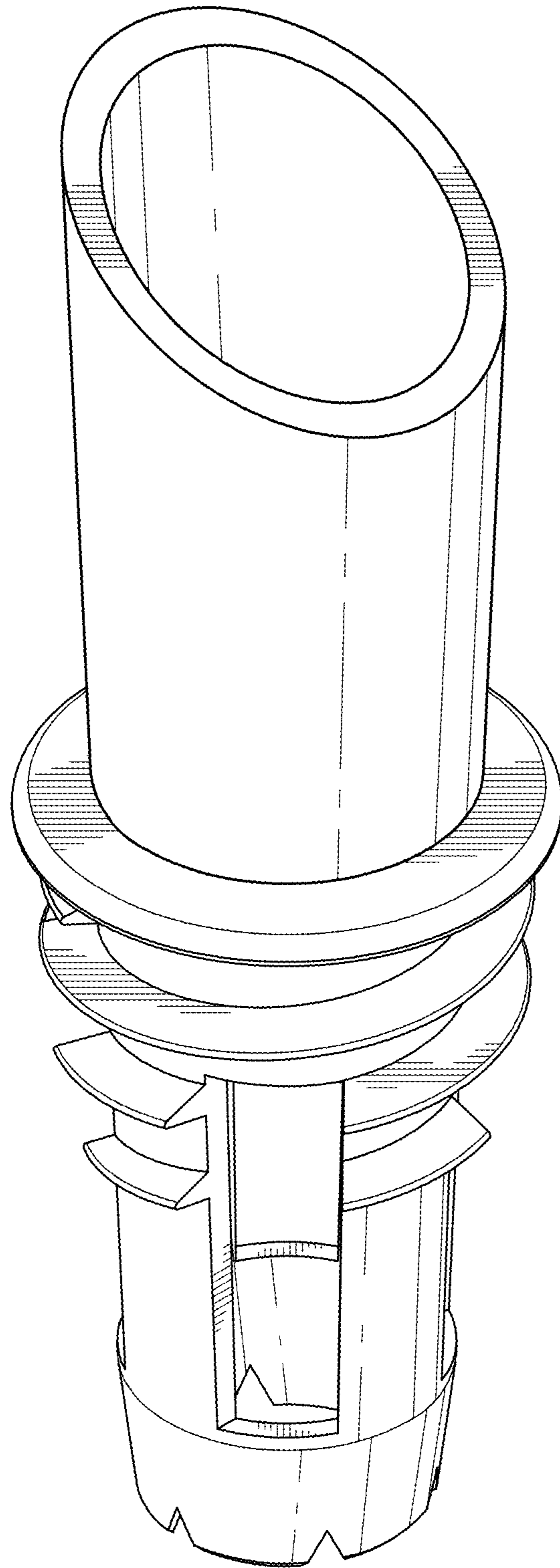
**References Cited**

U.S. PATENT DOCUMENTS

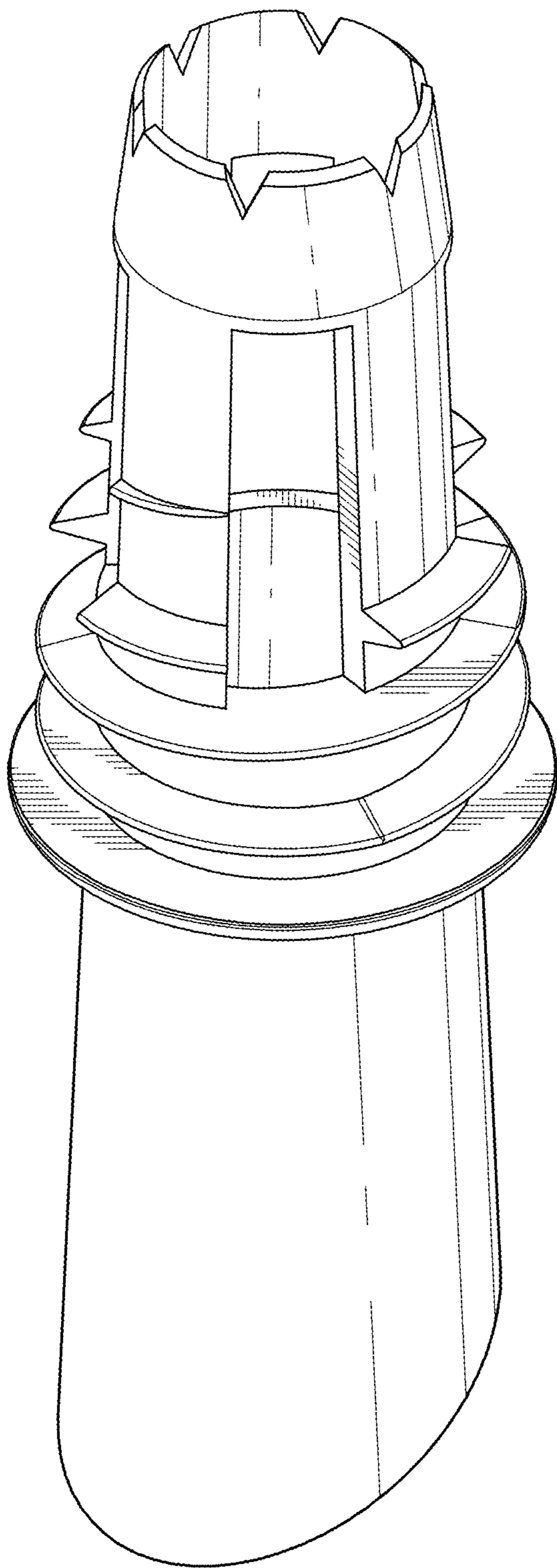
D701,764 S \* 4/2014 Brower et al. .... D9/440  
D702,493 S \* 4/2014 Tang ..... D7/398  
D707,502 S \* 6/2014 Alavian et al. .... D7/665  
2004/0256410 A1\* 12/2004 Last ..... 222/92  
2009/0293740 A1\* 12/2009 Sanchez De Leon Rodriguez  
Roda ..... 99/496

2011/0031273 A1\* 2/2011 Macler ..... 222/81  
2012/0288602 A1\* 11/2012 Diatlo et al. .... 426/489  
2012/0312176 A1\* 12/2012 Ippolito et al. .... 99/509  
2013/0008926 A1\* 1/2013 Bell ..... 222/568  
2013/0233885 A1\* 9/2013 Cohen ..... 222/91  
2014/0048557 A1\* 2/2014 Barron ..... 222/81  
2014/0144937 A1\* 5/2014 Arsena-Armstrong ..... 222/81

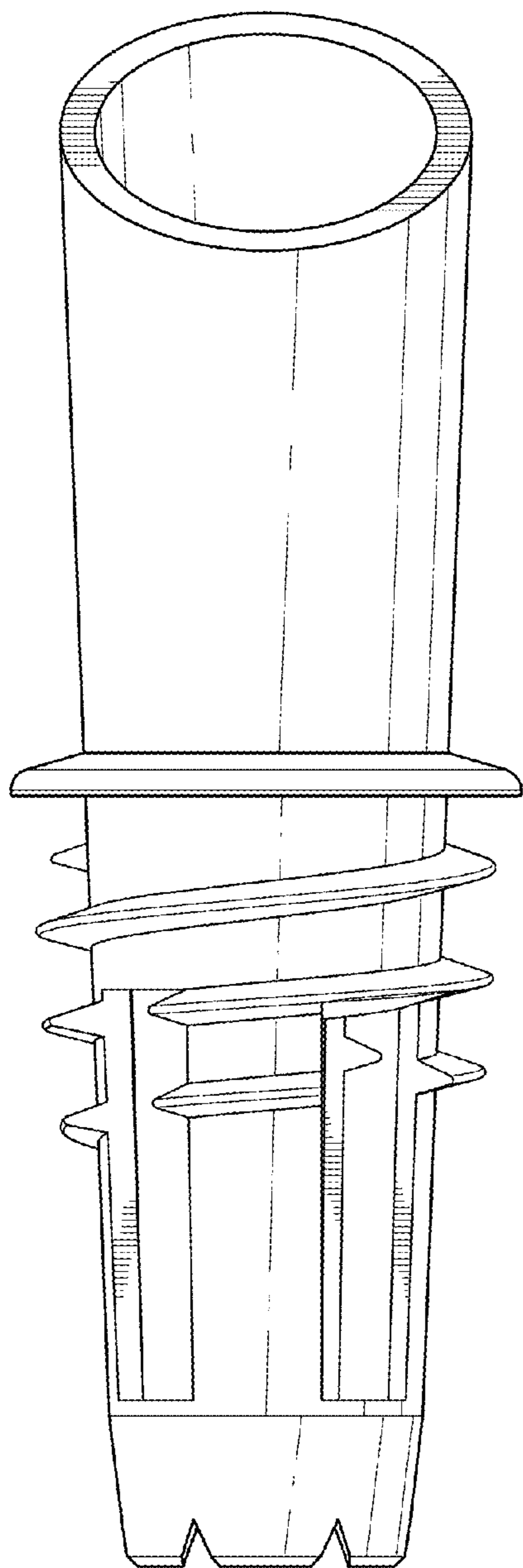
\* cited by examiner



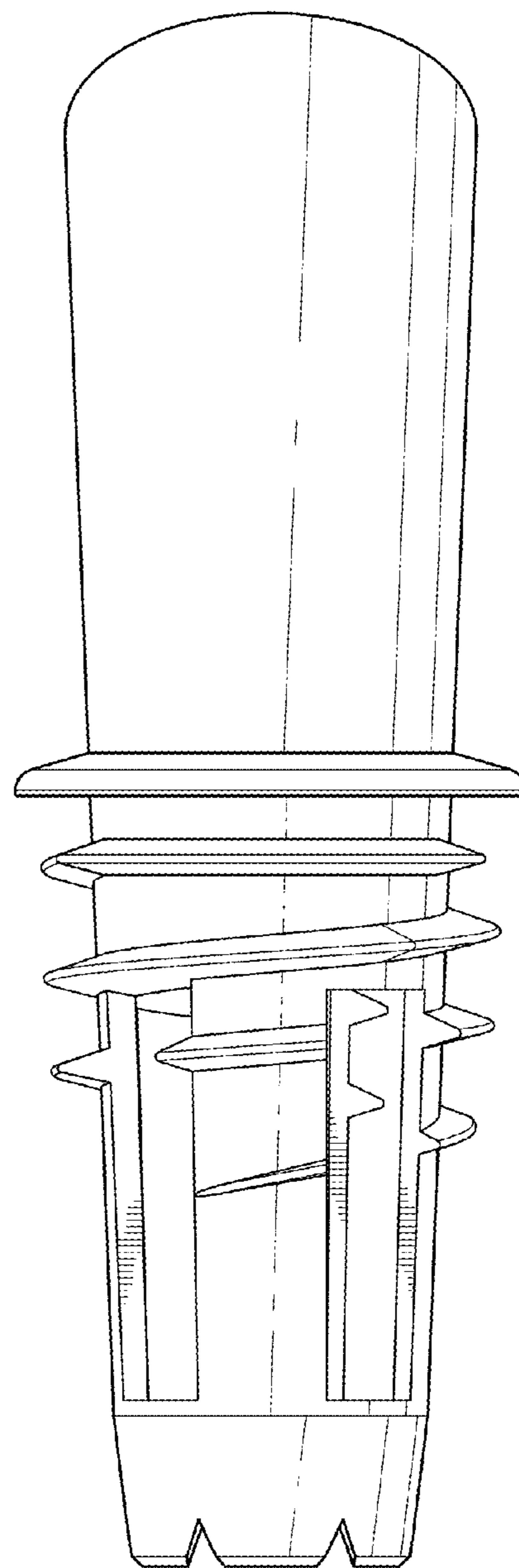
*FIG. 1*



*FIG. 2*



*FIG. 3*



*FIG. 4*

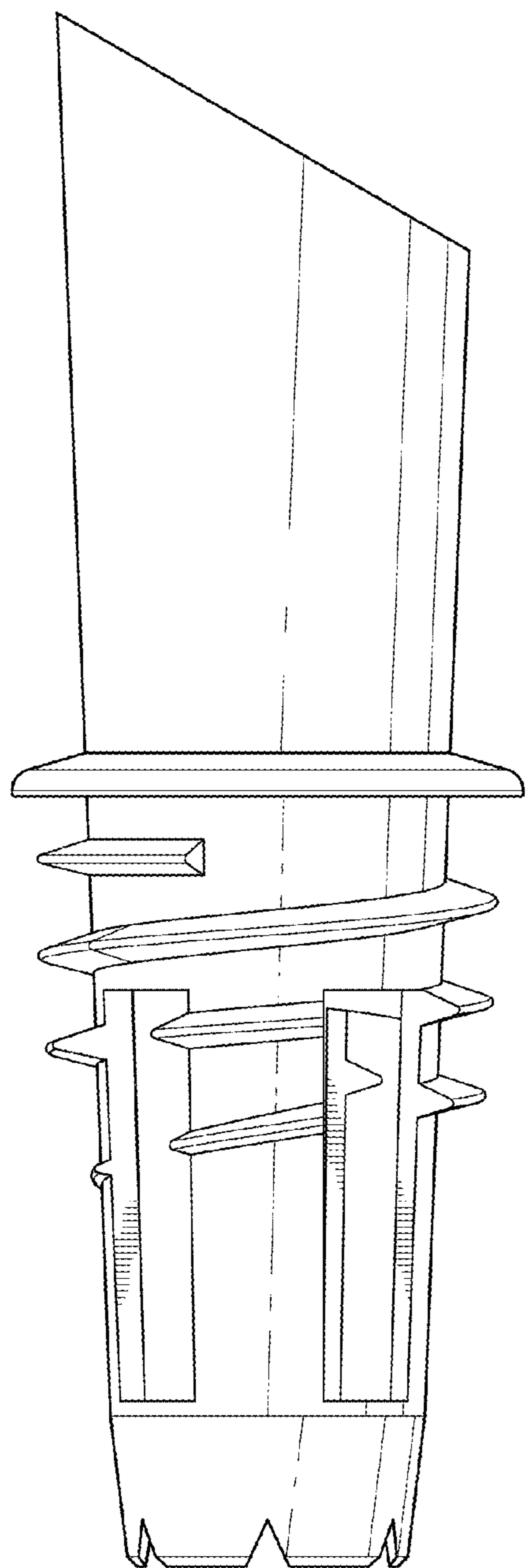


FIG. 5

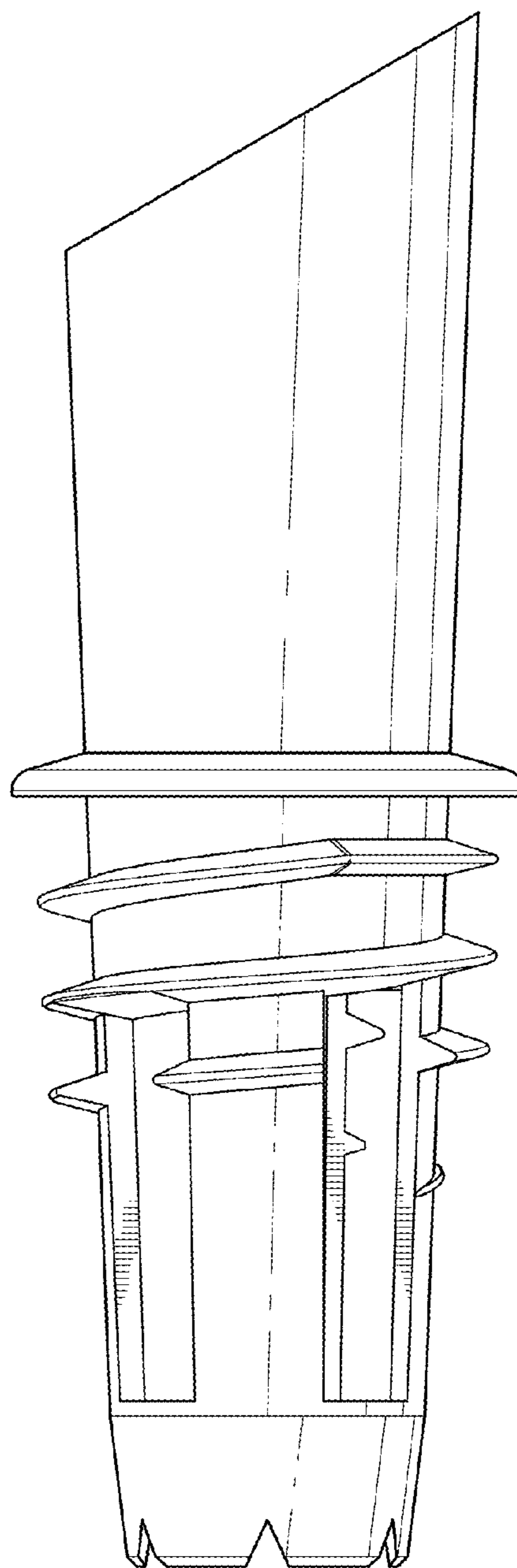
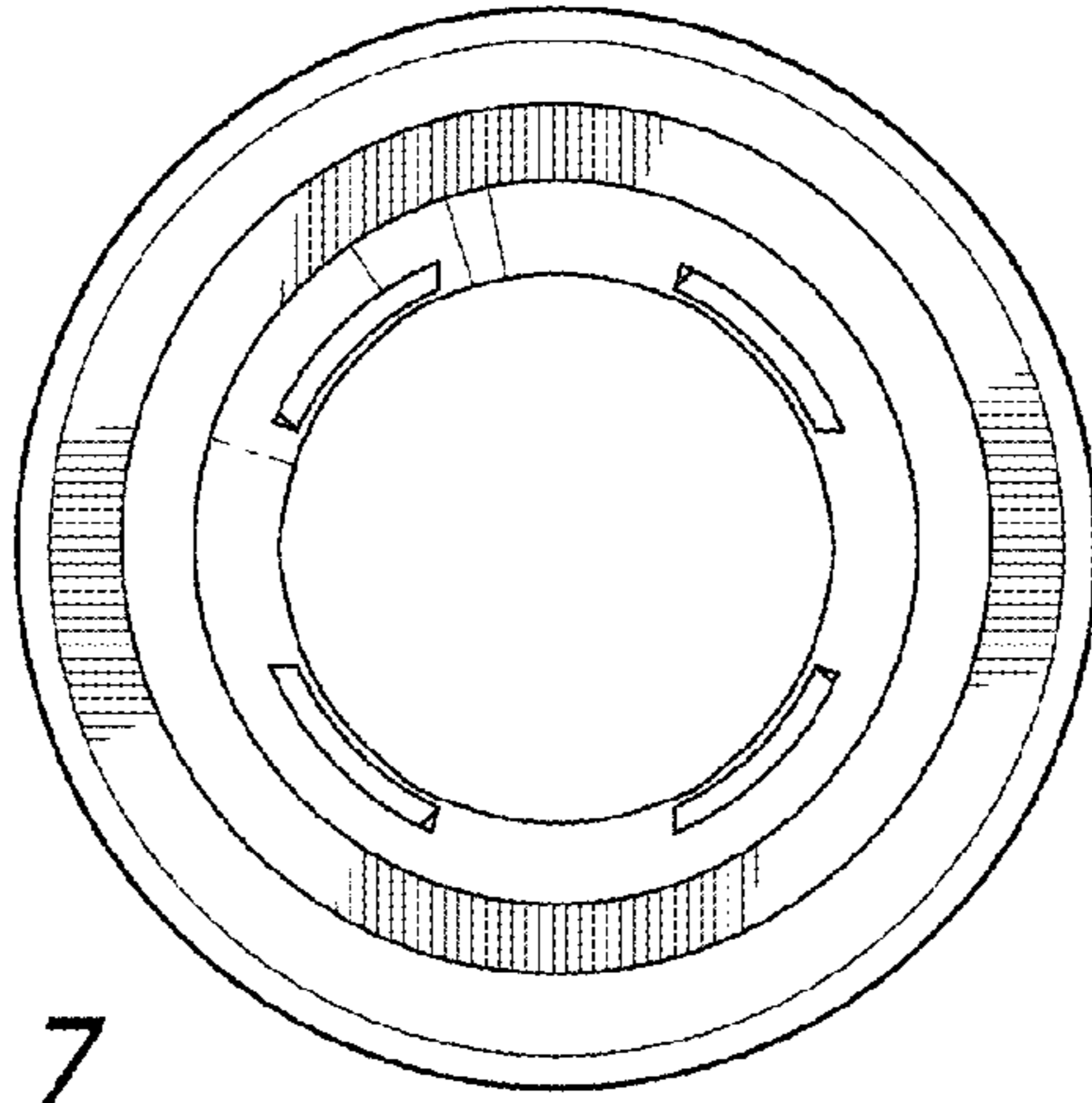
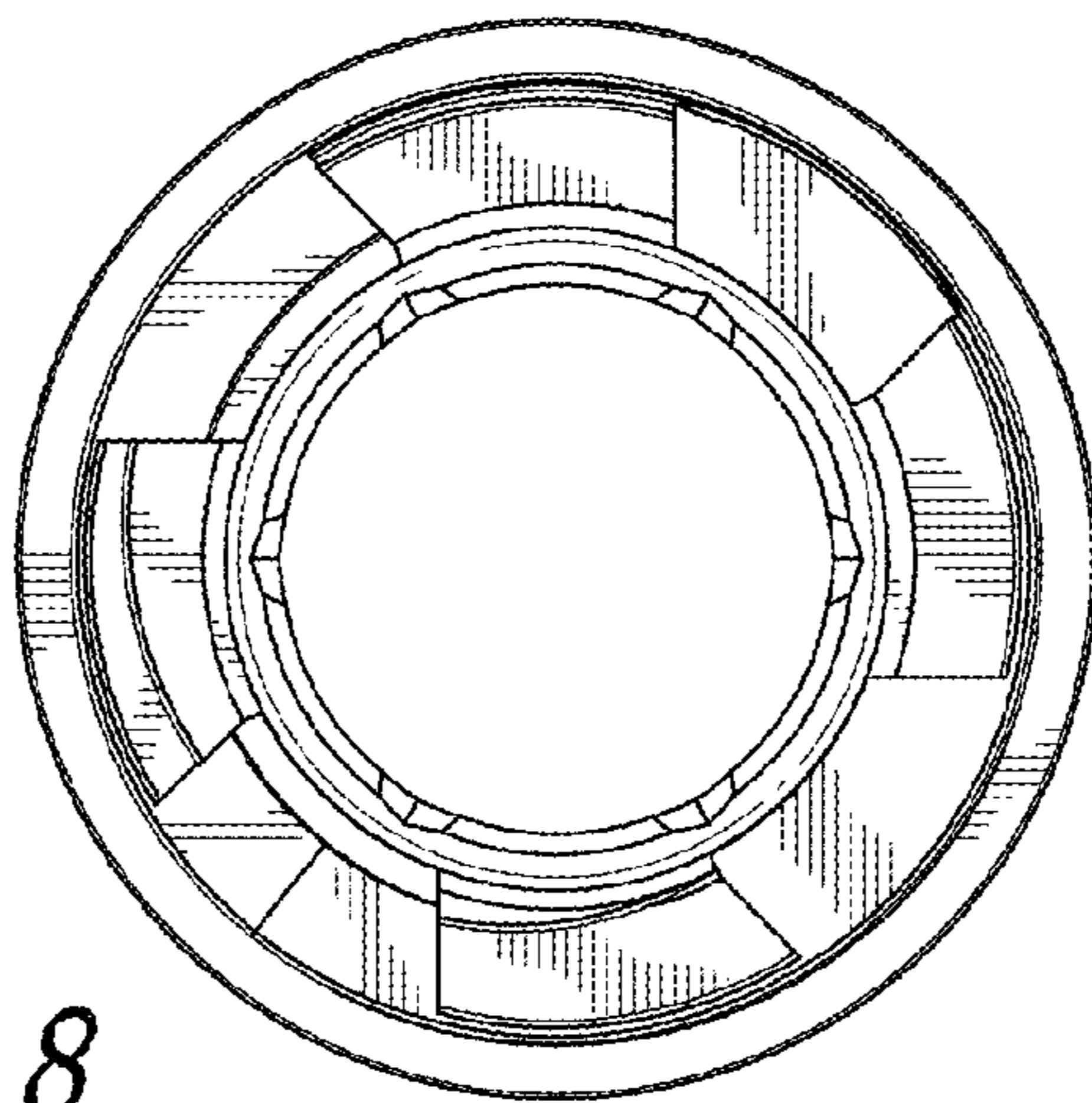


FIG. 6



*FIG. 7*



*FIG. 8*