



US00D729591S

(12) **United States Design Patent**  
**Goodman et al.**

(10) **Patent No.:** **US D729,591 S**  
(45) **Date of Patent:** **\*\* May 19, 2015**

(54) **COASTER HOLDER**

(71) Applicant: **Spectrum Diversified Designs, Inc.**,  
Streetsboro, OH (US)

(72) Inventors: **Sheldon H. Goodman**, Solon, OH (US);  
**Phaysouk Xayoiphonh**, Akron, OH (US)

(73) Assignee: **Spectrum Diversified Designs, Inc.**,  
Streetsboro, OH (US)

(\*\*) Term: **14 Years**

(21) Appl. No.: **29/446,957**

(22) Filed: **Feb. 28, 2013**

(51) **LOC (10) Cl.** ..... **07-06**

(52) **U.S. Cl.**  
USPC ..... **D7/624.1**

(58) **Field of Classification Search**  
USPC ..... D7/624.1, 631-634, 704, 600.1-600.4;  
D19/90, 86, 75; D6/673, 675.2, 675.5,  
D6/676.5, 677.5, 678.4, 680.3; 211/181.1,  
211/85.31, 13.1, 41.1-41.4, 11, 126.9,  
211/133.5

See application file for complete search history.

(56) **References Cited**

**U.S. PATENT DOCUMENTS**

D539,101 S \* 3/2007 Goodman et al. .... D7/631  
D539,613 S \* 4/2007 Goodman et al. .... D7/631  
D571,160 S \* 6/2008 Goodman et al. .... D7/631

D584,572 S \* 1/2009 Goodman et al. .... D7/631  
D633,343 S \* 3/2011 Goodman et al. .... D7/631  
D653,053 S \* 1/2012 Goodman et al. .... D6/462  
D685,234 S \* 7/2013 Goodman ..... D7/632  
D698,207 S \* 1/2014 Goodman et al. .... D7/631

**OTHER PUBLICATIONS**

U.S. Appl. No. 29/444,495, filed Jan. 31, 2013.

\* cited by examiner

*Primary Examiner* — Wan Laymon

*Assistant Examiner* — Mark Booker

(74) *Attorney, Agent, or Firm* — Renner, Otto, Boisselle & Sklar, LLP

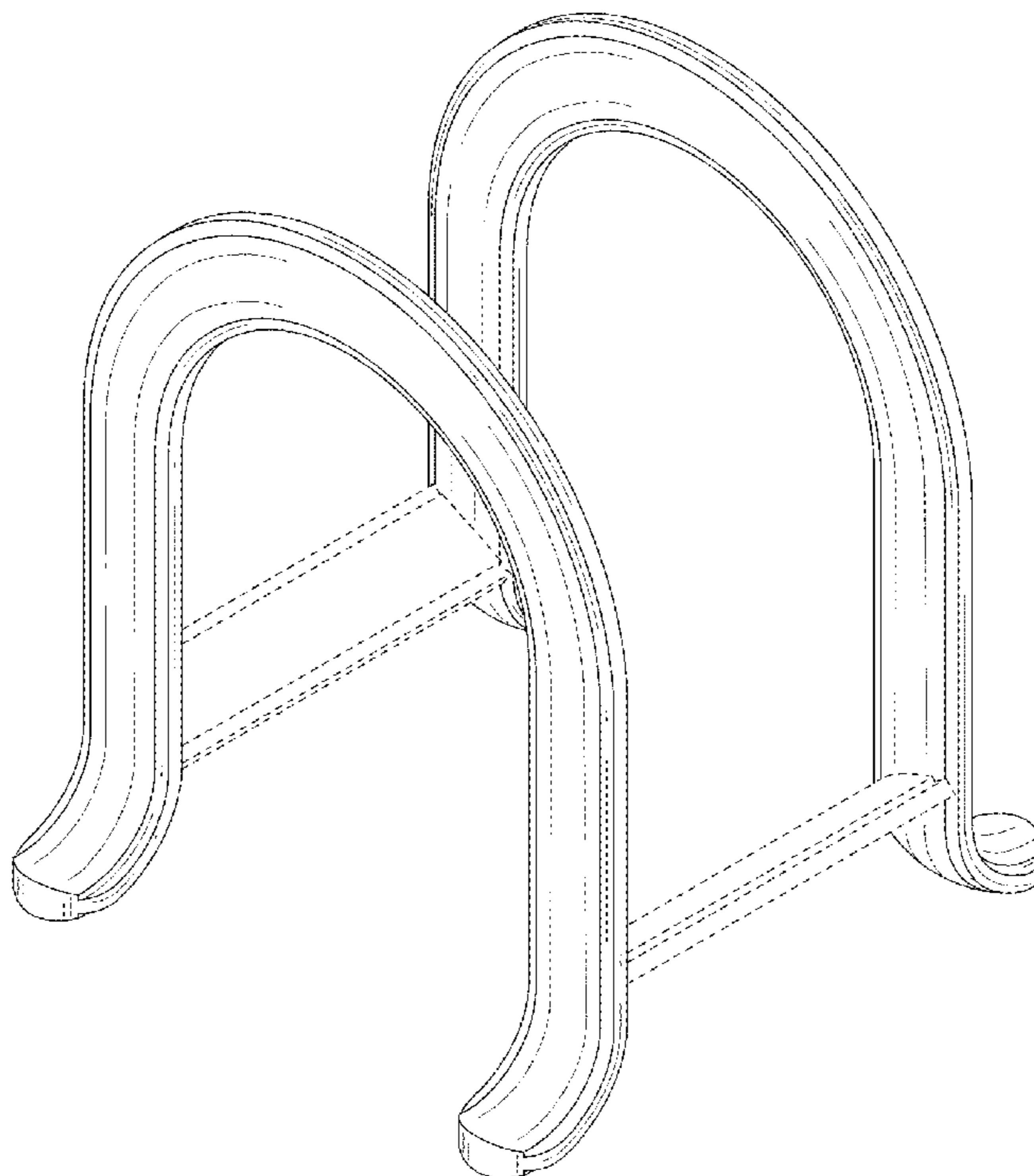
(57) **CLAIM**

The ornamental design for a coaster holder, as shown and described.

**DESCRIPTION**

FIG. 1 is a perspective view of a coaster holder showing my new design;  
FIG. 2 is a top view of the coaster holder;  
FIG. 3 is a front view of the coaster holder, the rear view being a mirror image thereof;  
FIG. 4 is a cross-sectional view of the coaster holder, taken along the line A-A of FIG. 3;  
FIG. 5 is a side view of the coaster holder, the opposite side view being a mirror image thereof; and,  
FIG. 6 is a bottom view of the coaster holder.  
The broken lines in the drawing illustrate environmental matter and form no part of the claimed design.

**1 Claim, 2 Drawing Sheets**



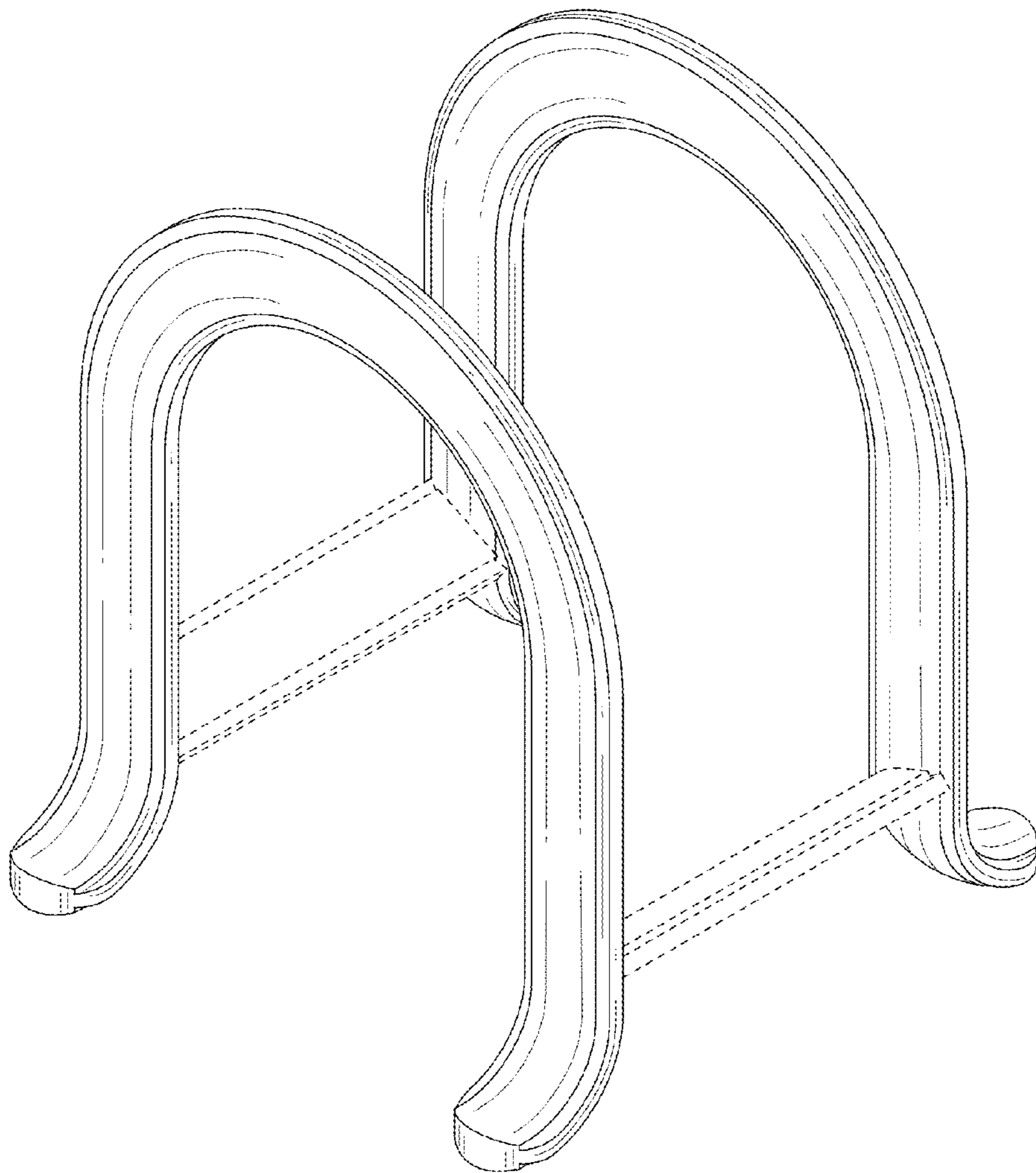


FIG. 1

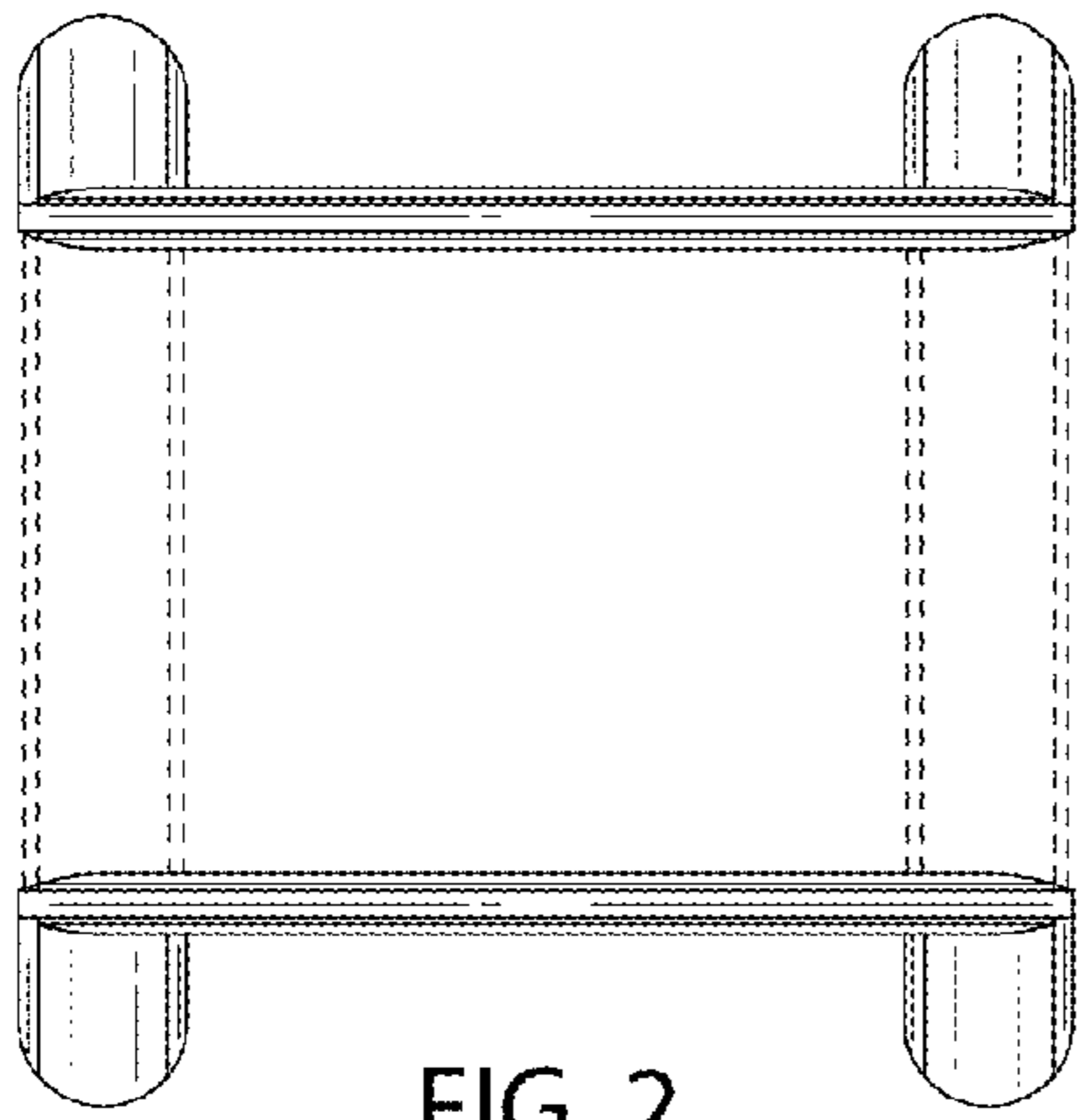


FIG. 2

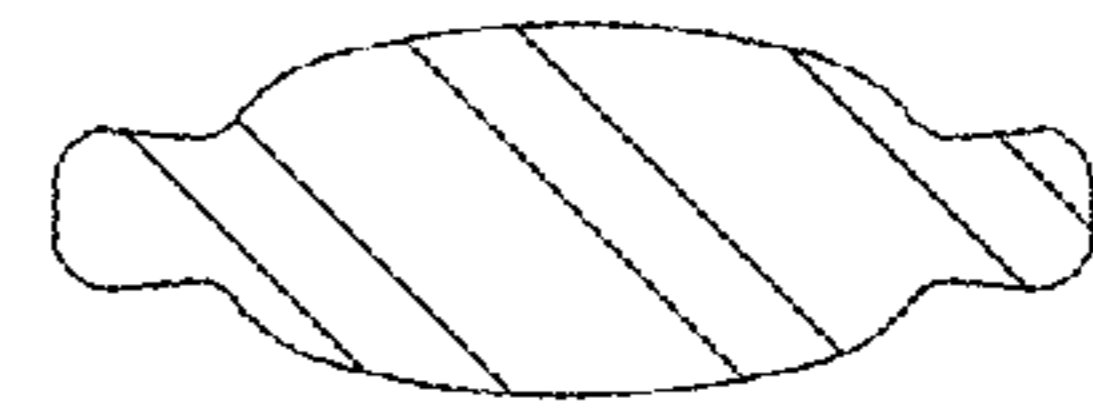


FIG. 4

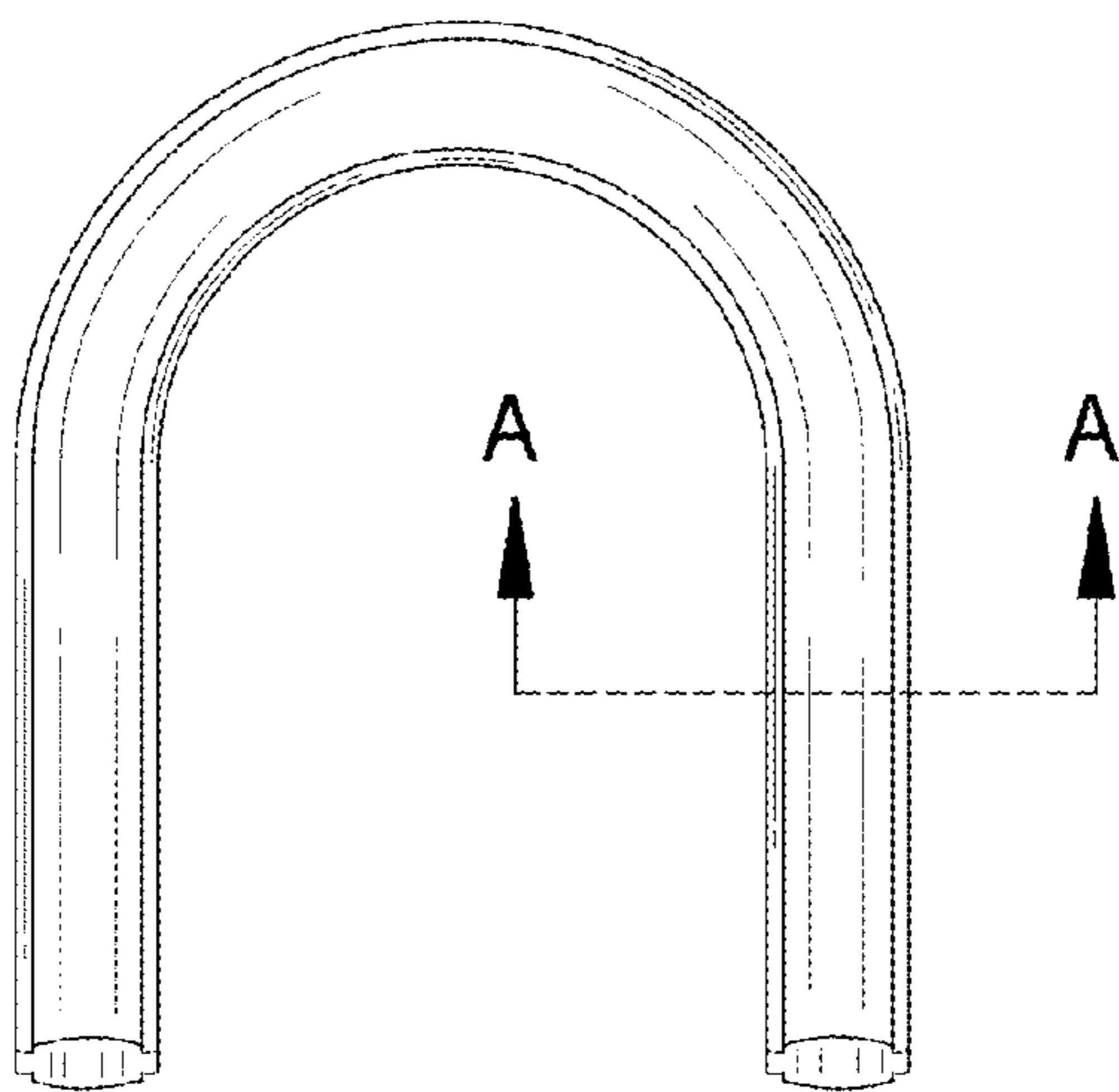


FIG. 3

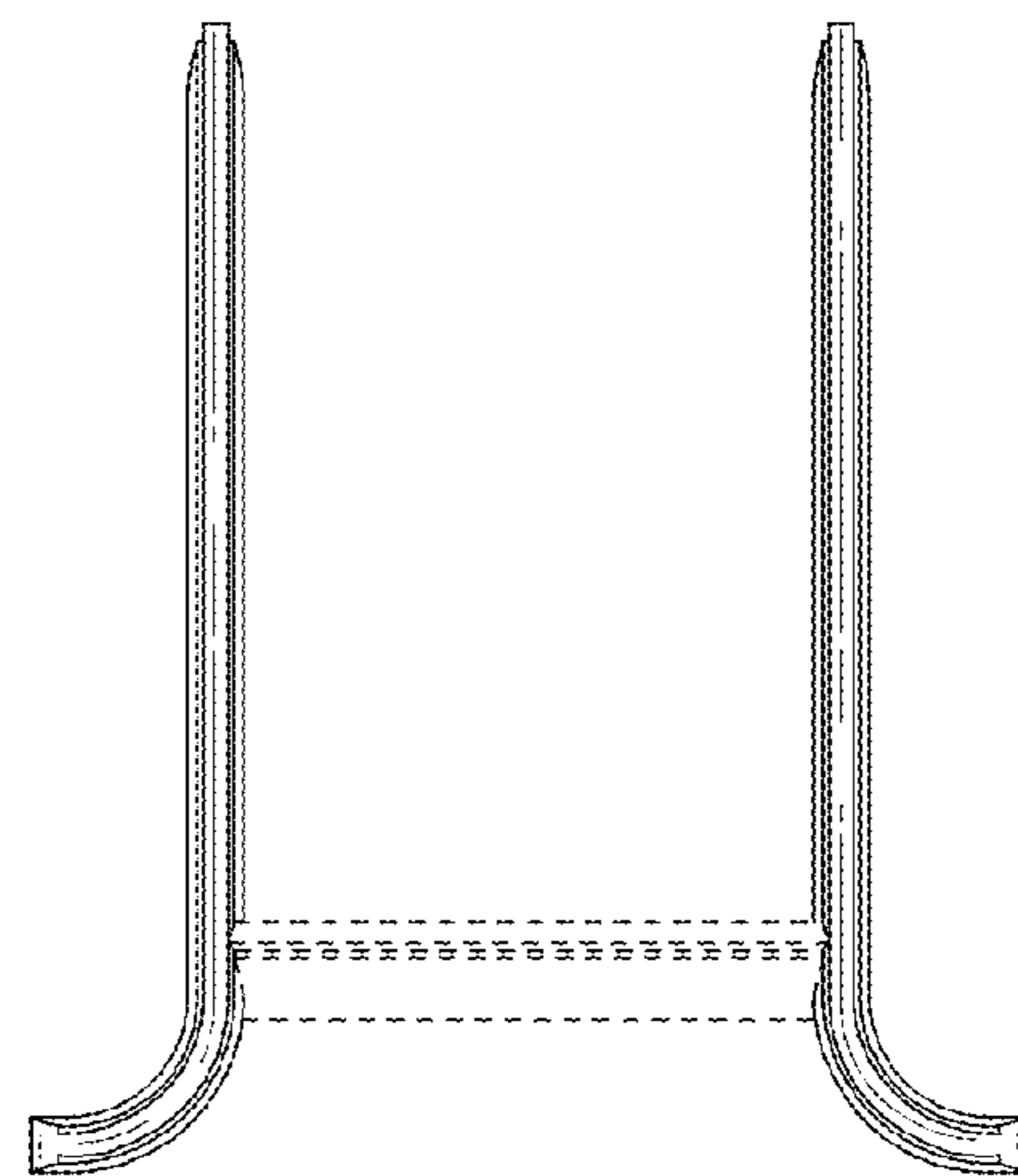


FIG. 5

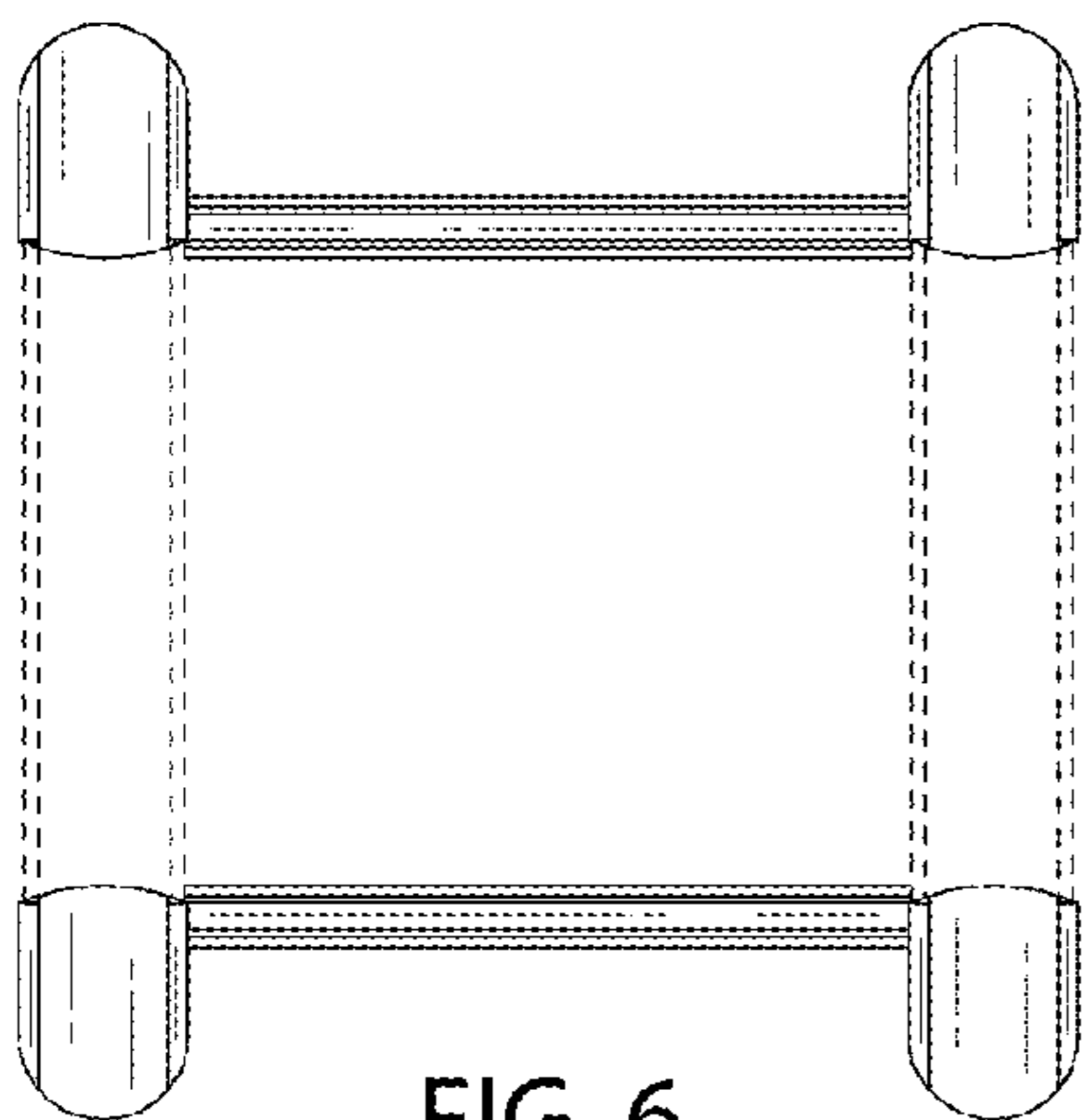


FIG. 6