



US00D729590S

(12) **United States Design Patent**  
**Steiger**

(10) **Patent No.:** **US D729,590 S**  
(45) **Date of Patent:** **\*\* May 19, 2015**

(54) **GALLON JUG INSULATOR**

FOREIGN PATENT DOCUMENTS

(71) Applicant: **GCR Fitness Industries, LLC**,  
Scottsdale, AZ (US)

WO WO9524146 9/1995

(72) Inventor: **Christopher J. Steiger**, Scottsdale, AZ  
(US)

OTHER PUBLICATIONS

(73) Assignee: **GCR Fitness Industries, LLC**,  
Scottsdale, AZ (US)

Hug Jug Source: <http://hugajug.com/incohugjuhot.html>.  
Water Bottle Holders Source: <http://www.saddlepaussie.com/australian-saddle-bags.html>.  
Picnic Plus Insulated 1 Gallon Jug Cooler Jacket Source: <http://www.amazon.com/Gallon-Jacket-Foam-Insulation-Watermelon/dp/B004SBPLUG>.

(\*\*) Term: **14 Years**

ArmPocket—The Ultimate Armband Source: <http://www.armpocket.com/i-10tm.html>.

(21) Appl. No.: **29/483,884**

\* cited by examiner

(22) Filed: **Mar. 4, 2014**

Primary Examiner — Terry Wallace

(51) **LOC (10) CI.** ..... **07-01**

(74) *Attorney, Agent, or Firm* — Weiss & Moy P.C.;  
Veronica-Adele R. Cao

(52) **U.S. CI.**  
USPC ..... **D7/607**

(57) **CLAIM**

(58) **Field of Classification Search**  
CPC ..... F25D 3/00; F25D 3/08; F25D 31/007;  
B65D 81/38; B65D 23/08  
USPC ..... D7/605–607; 383/109, 110, 113, 97,  
383/71–74, 10, 95; 62/457.1–457.8, 529,  
62/530; 220/592.18, 592.17, 592.19,  
220/592.25, 592.09, 592.1, 592.2, 902, 903  
See application file for complete search history.

The ornamental design for a gallon jug insulator, as shown and described.

**DESCRIPTION**

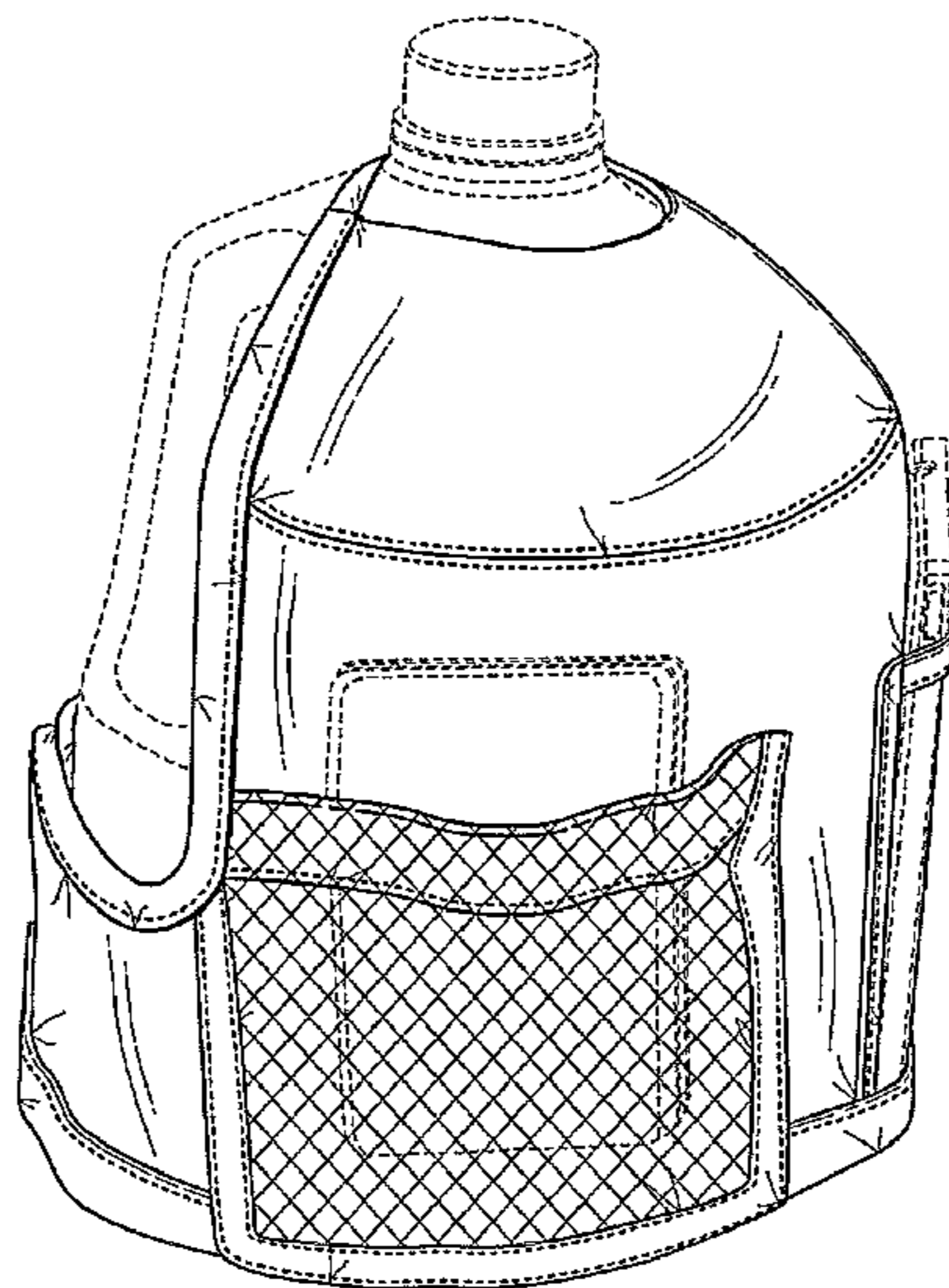
(56) **References Cited**

U.S. PATENT DOCUMENTS

5,555,746	A	9/1996	Thompson	
5,680,958	A	10/1997	Mann et al.	
5,799,820	A	9/1998	Maas	
5,904,267	A	5/1999	Thompson	
6,789,693	B2	9/2004	Lassiter	
D596,465	S *	7/2009	Faulkner et al.	D7/607
2005/0118309	A1	6/2005	Beckman	
2007/0221693	A1	9/2007	Moore	
2010/0242528	A1 *	9/2010	Young	62/457.4
2013/0048594	A1	2/2013	Young	

FIG. 1 is a perspective view of a gallon jug insulator, shown in use with a gallon jug and shown with a wallet held within a pocket of the gallon jug insulator; the gallon jug and wallet are shown in broken lines and form no part of the claimed design; FIG. 2 is a front view of the gallon jug insulator of FIG. 1 shown with a cellular phone held within another pocket of the gallon jug insulator and shown with keys coupled to the gallon jug insulator; the cellular phone and keys are shown in broken lines and form no part of the claimed design; FIG. 3 is a rear view of the gallon jug insulator of FIG. 1; FIG. 4 is a right side view of the gallon jug insulator of FIG. 1; FIG. 5 is left side view of the gallon jug insulator of FIG. 1; FIG. 6 is a top view of the gallon jug insulator of FIG. 1; and, FIG. 7 is a bottom view of the gallon jug insulator of FIG. 1.

**1 Claim, 6 Drawing Sheets**



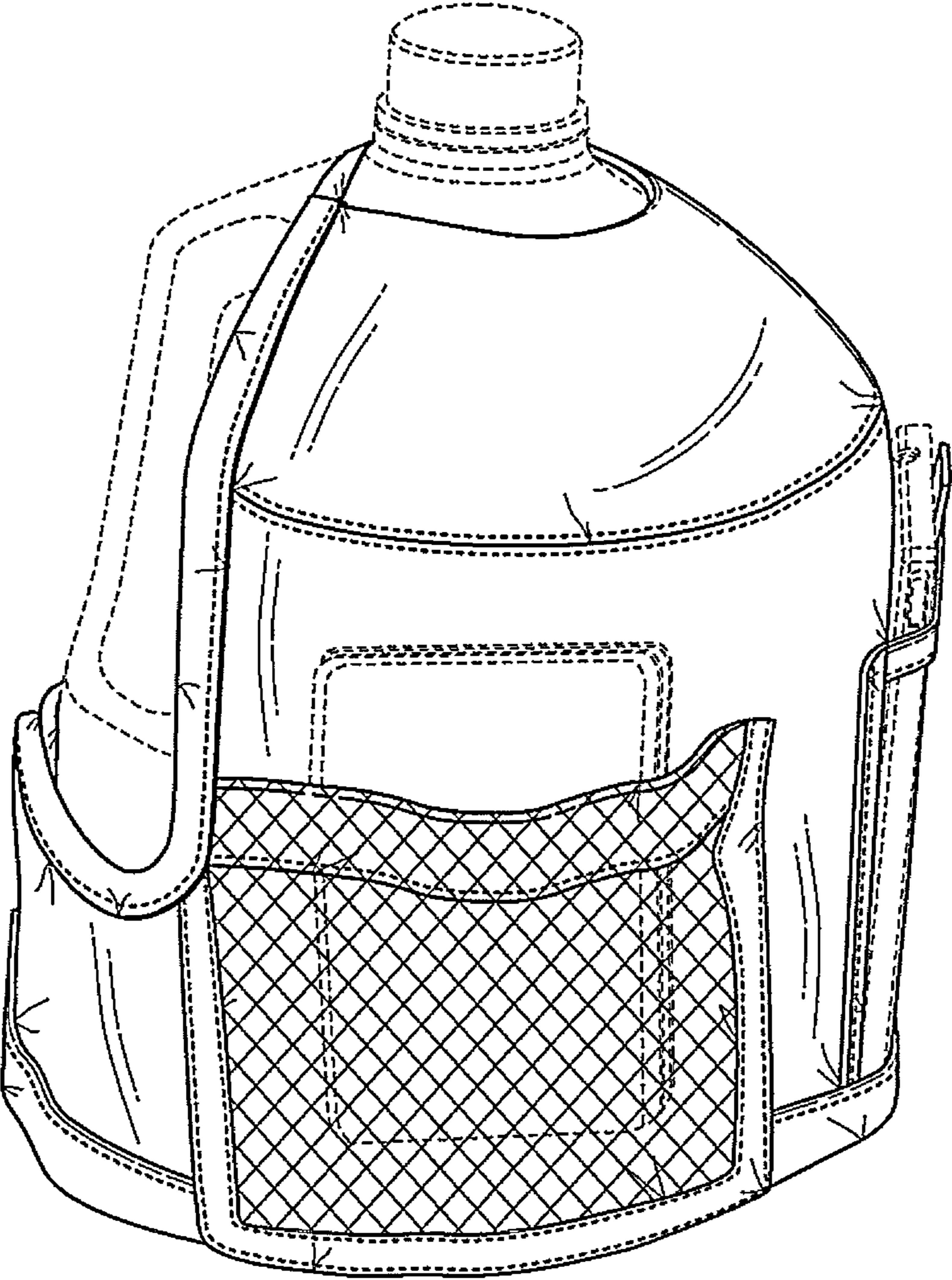


FIG. 1

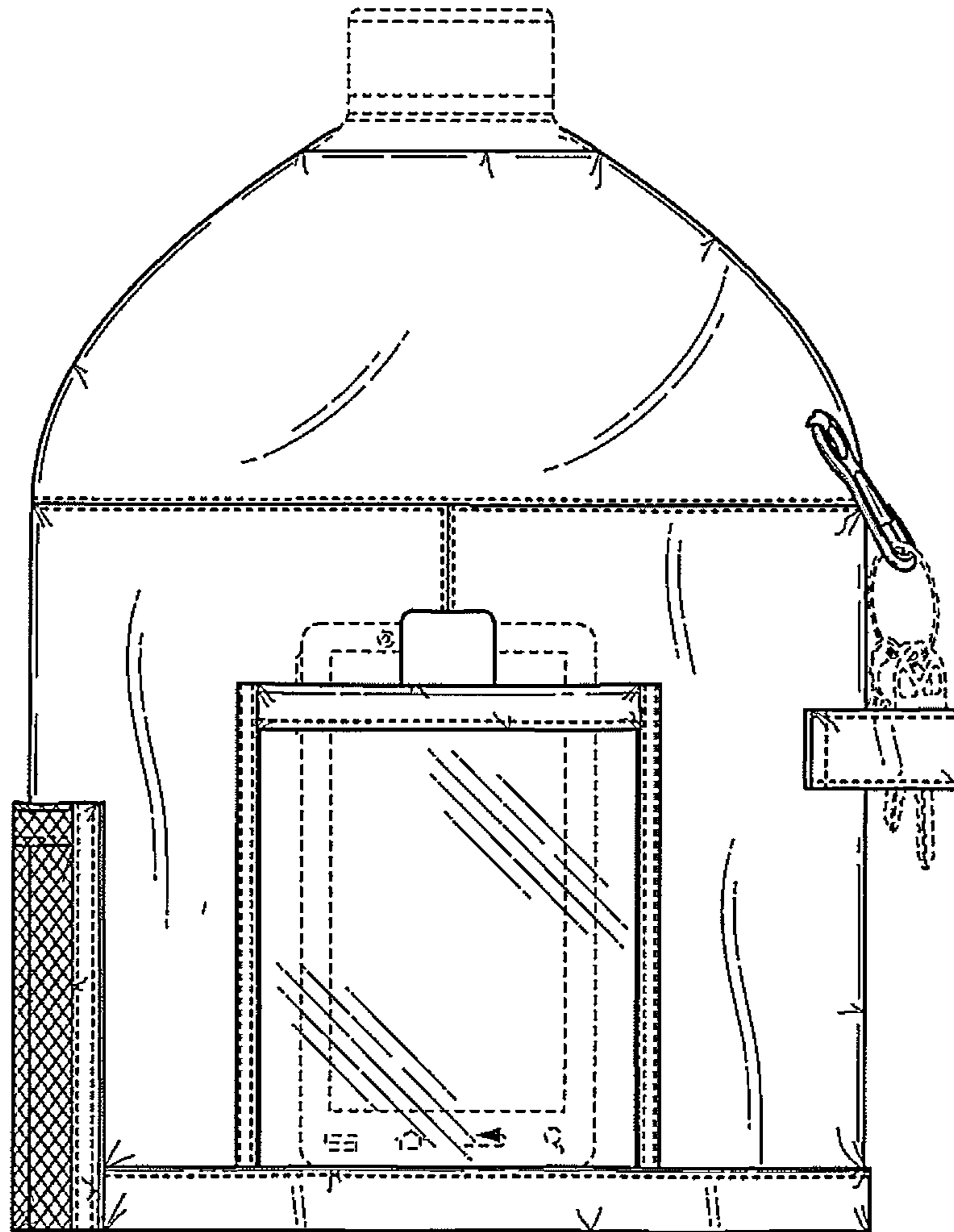


FIG. 2

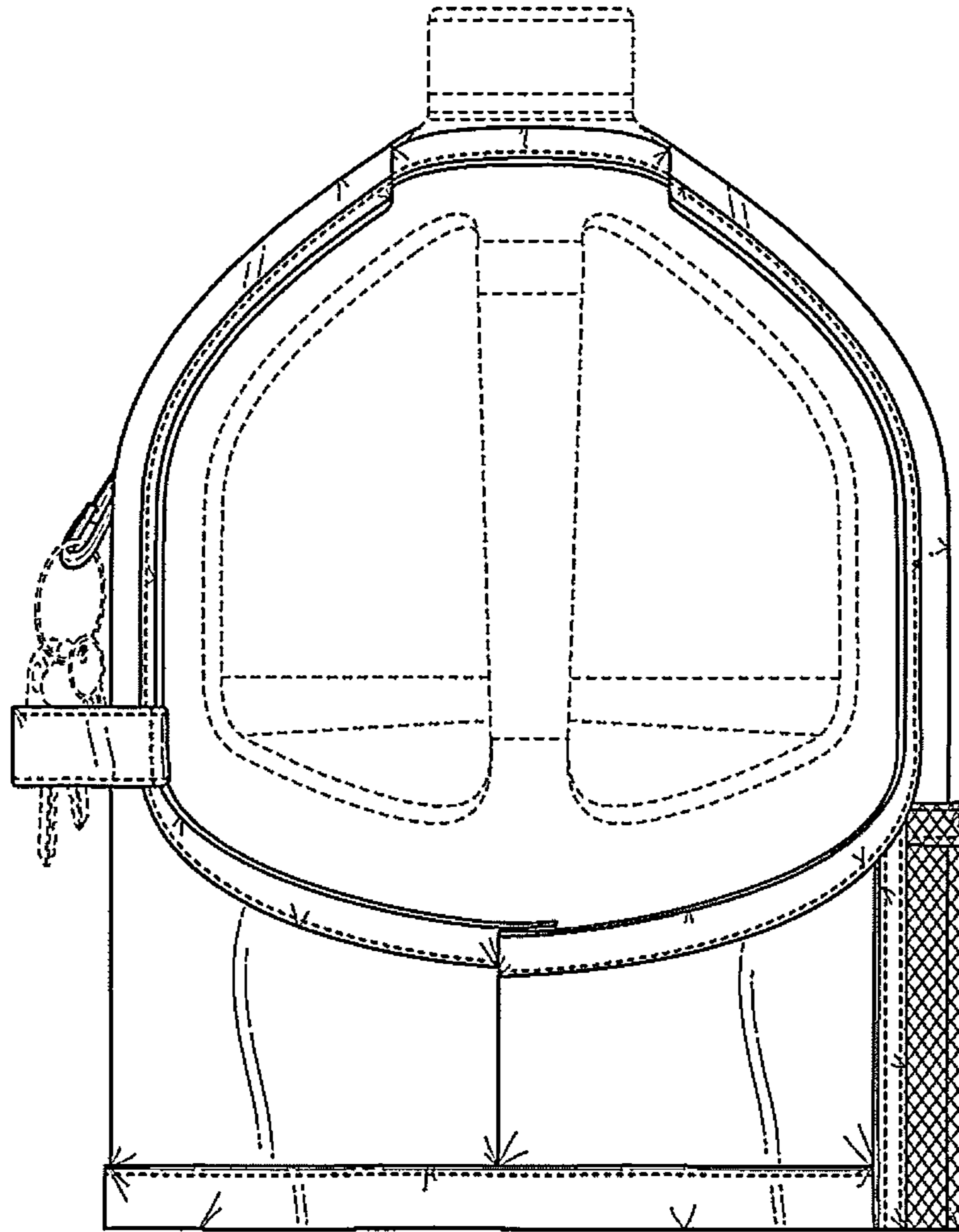


FIG. 3

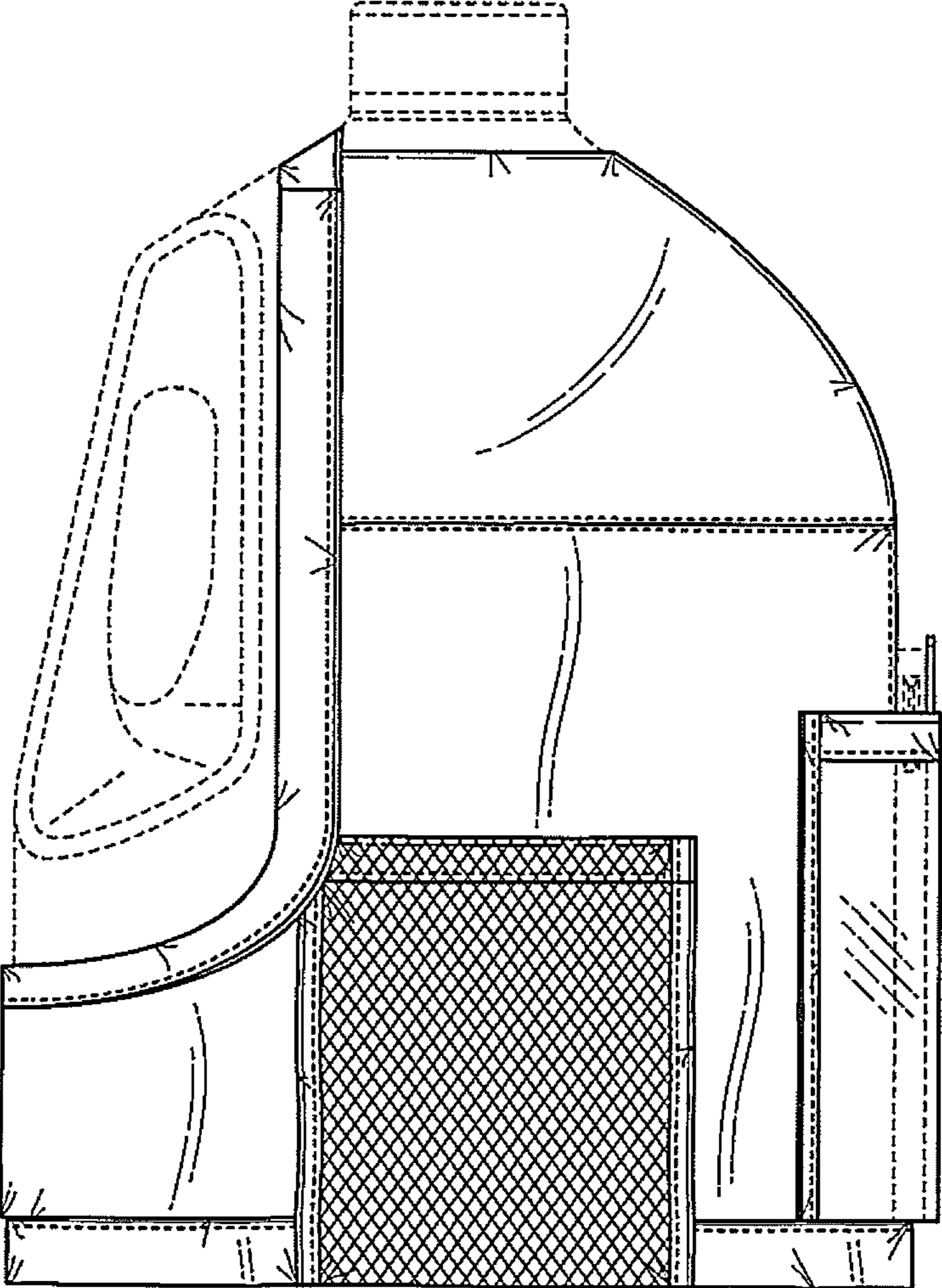


FIG. 4

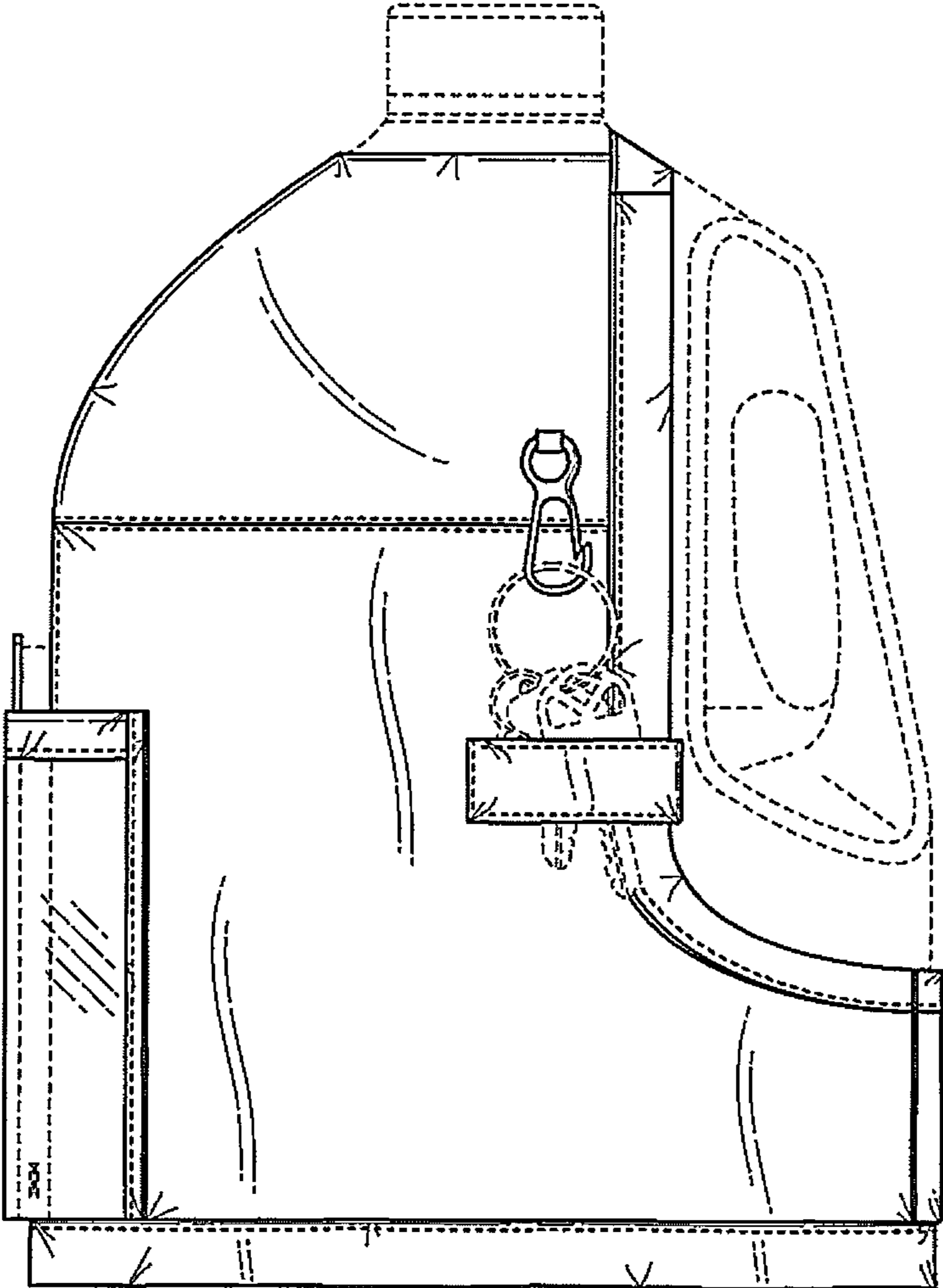


FIG. 5

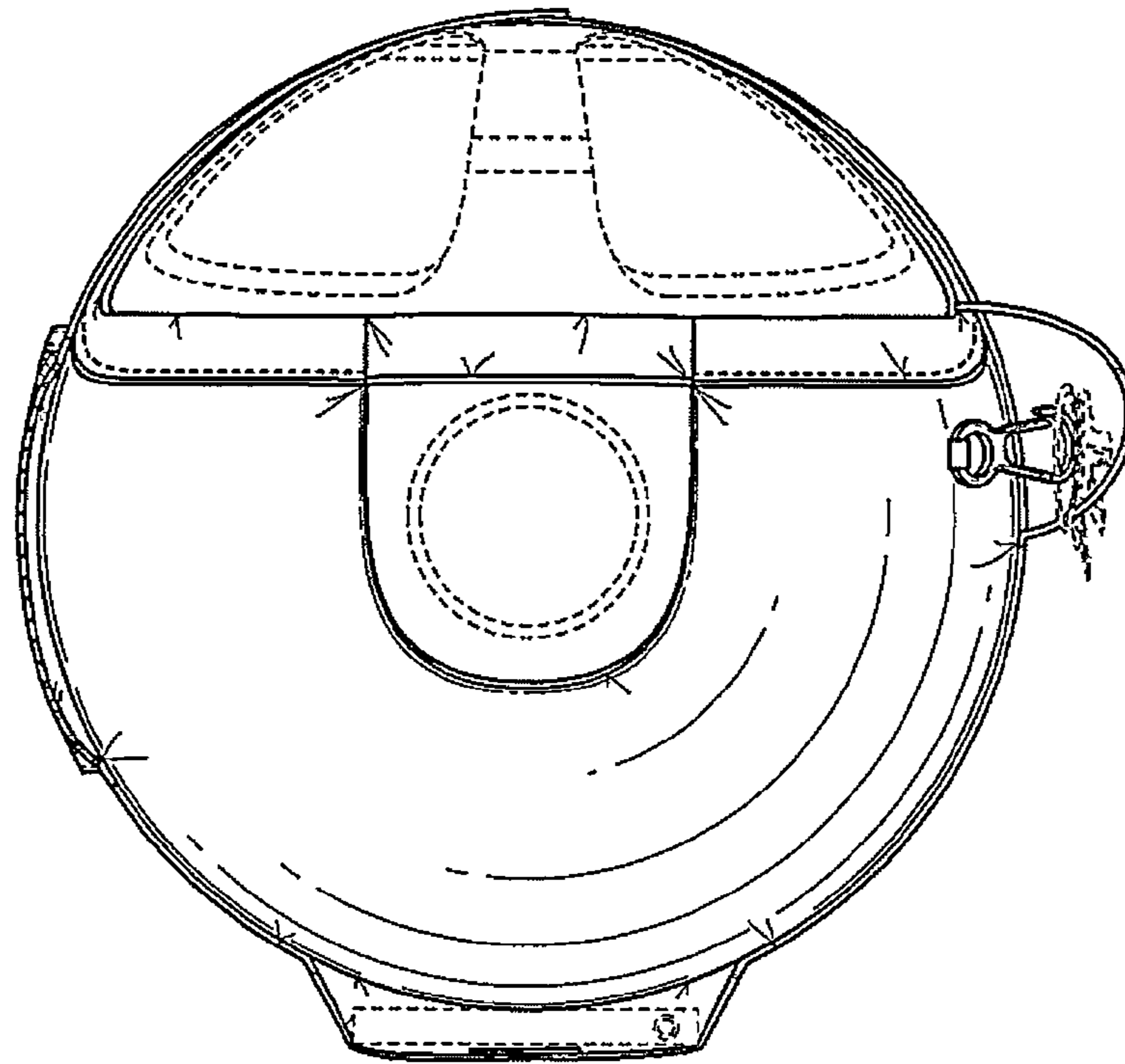


FIG. 6

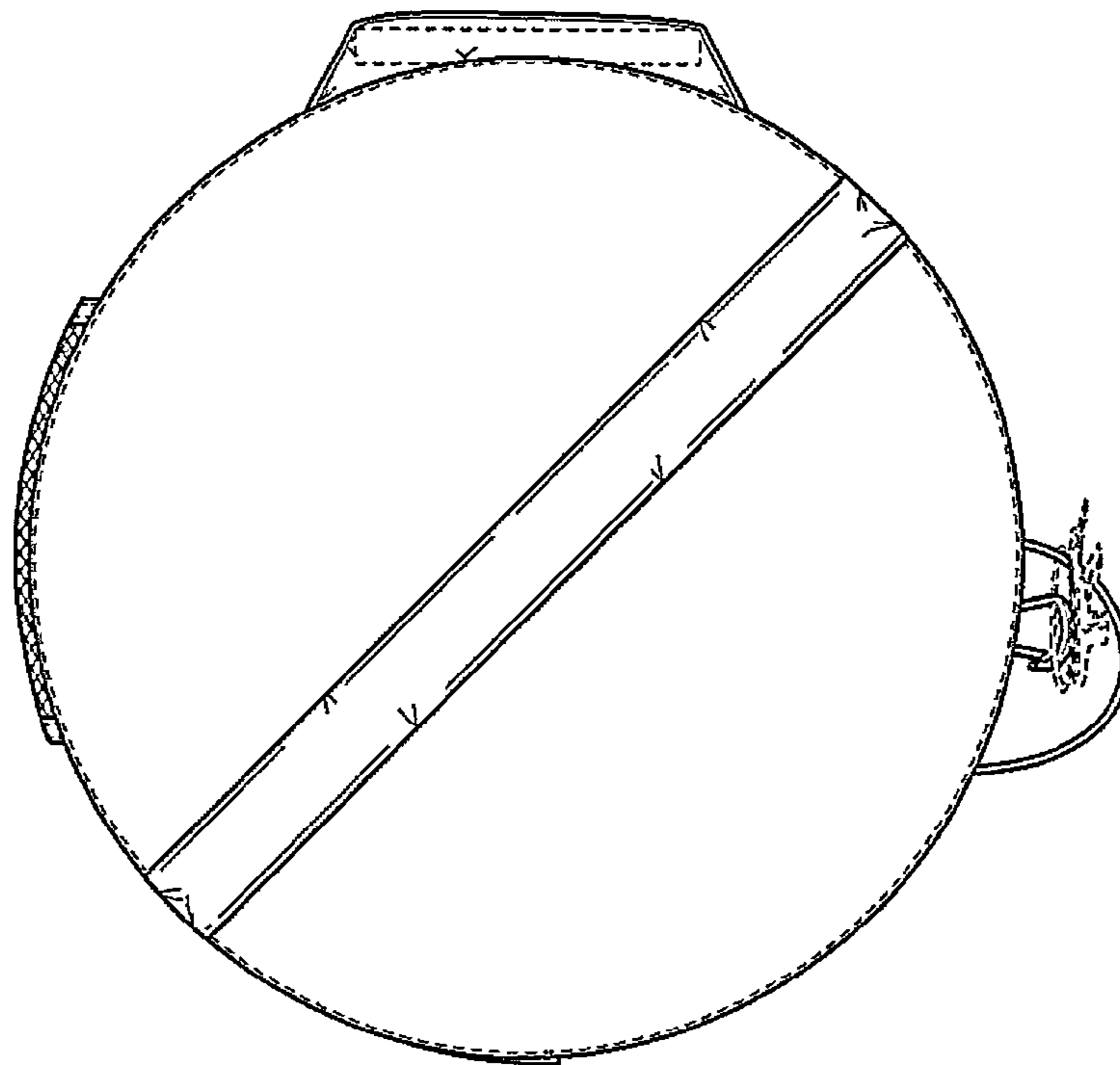


FIG. 7