

US00D729586S

(12) **United States Design Patent**
Nemeth et al.

(10) **Patent No.:** **US D729,586 S**
(45) **Date of Patent:** **** May 19, 2015**

(54) **BEVERAGE TUMBLER**

D657,246 S 4/2012 Nemeth et al.
D657,247 S 4/2012 Nemeth et al.
D669,737 S 10/2012 Nemeth et al.

(71) Applicant: **RUBBERMAID INCORPORATED**,
Huntersville, NC (US)

OTHER PUBLICATIONS

(72) Inventors: **Christopher P. Nemeth**, Atlanta, GA
(US); **Gunnar B. Olson**, Smyrna, GA
(US); **Brandon L. Stroud**, Smyrna, GA
(US)

Co-pending Design U.S. Appl. No. 29/481,048, filed Jan. 31, 2014.
Co-pending Design U.S. Appl. No. 29/481,055, filed Jan. 31, 2014.

(73) Assignee: **RUBBERMAID INCORPORATED**,
Huntersville, NC (US)

* cited by examiner

(**) Term: **14 Years**

Primary Examiner — Susan Bennett Hattan

Assistant Examiner — Leanne Was

(21) Appl. No.: **29/481,053**

(74) *Attorney, Agent, or Firm* — Marshall, Gerstein & Borun
LLP

(22) Filed: **Jan. 31, 2014**

(51) **LOC (10) Cl.** **07-01**

(52) **U.S. Cl.**

USPC **D7/523**

(58) **Field of Classification Search**

USPC D7/300, 509, 510, 511, 513, 523, 528,
D7/532, 543, 562, 584, 601, 602, 605, 608,
D7/619.1, 624.1, 624.2, 640, 701, 703;
D9/500, 502, 530, 549, 738, 756;
D11/154; D19/81; D28/73; 215/12.1;
220/592.16, 592.17, 592.2, 669

See application file for complete search history.

(56) **References Cited**

U.S. PATENT DOCUMENTS

D107,989 S *	1/1938	Hansen	D7/532
D481,951 S	11/2003	Scott, III		
D490,654 S	6/2004	Allen et al.		
D507,458 S	7/2005	Allen et al.		
D509,754 S	9/2005	Scott, III et al.		
D526,827 S	8/2006	Allen et al.		
D529,749 S	10/2006	Allen et al.		
D551,895 S	10/2007	Allen et al.		
D648,181 S *	11/2011	Kraemer	D7/532
D648,182 S *	11/2011	Kraemer	D7/532

(57) **CLAIM**

The ornamental design for a beverage tumbler, as shown and described.

DESCRIPTION

FIG. 1 is a perspective view of a beverage tumbler showing one embodiment of our new design.

FIG. 2 is an elevational view of a side thereof—all other sides being identical.

FIG. 3 is a top view thereof.

FIG. 4 is a bottom view thereof.

FIG. 5 is an alternative side view of the beverage tumbler, showing a lid thereon in broken line.

FIG. 6 is a perspective view of a beverage tumbler showing another embodiment of our new design.

FIG. 7 is an elevational view of a side thereof—all other sides being identical.

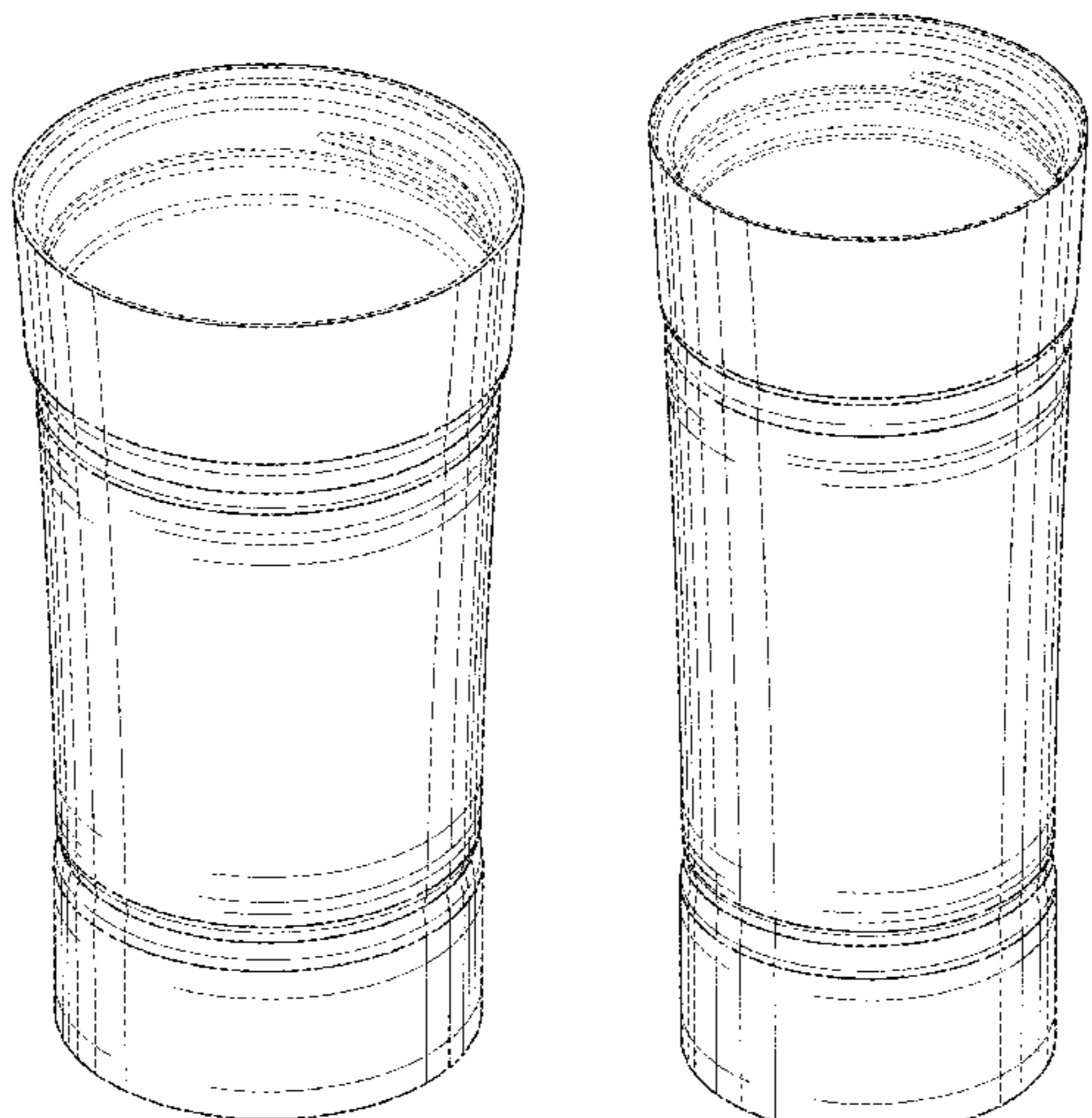
FIG. 8 is a top view thereof.

FIG. 9 is a bottom view thereof; and,

FIG. 10 is an alternative side view of the beverage mug, showing a lid thereon in broken line.

The broken lines showing in FIGS. 1-10 depict environmental subject matter only and form no part of the claimed design.

1 Claim, 8 Drawing Sheets



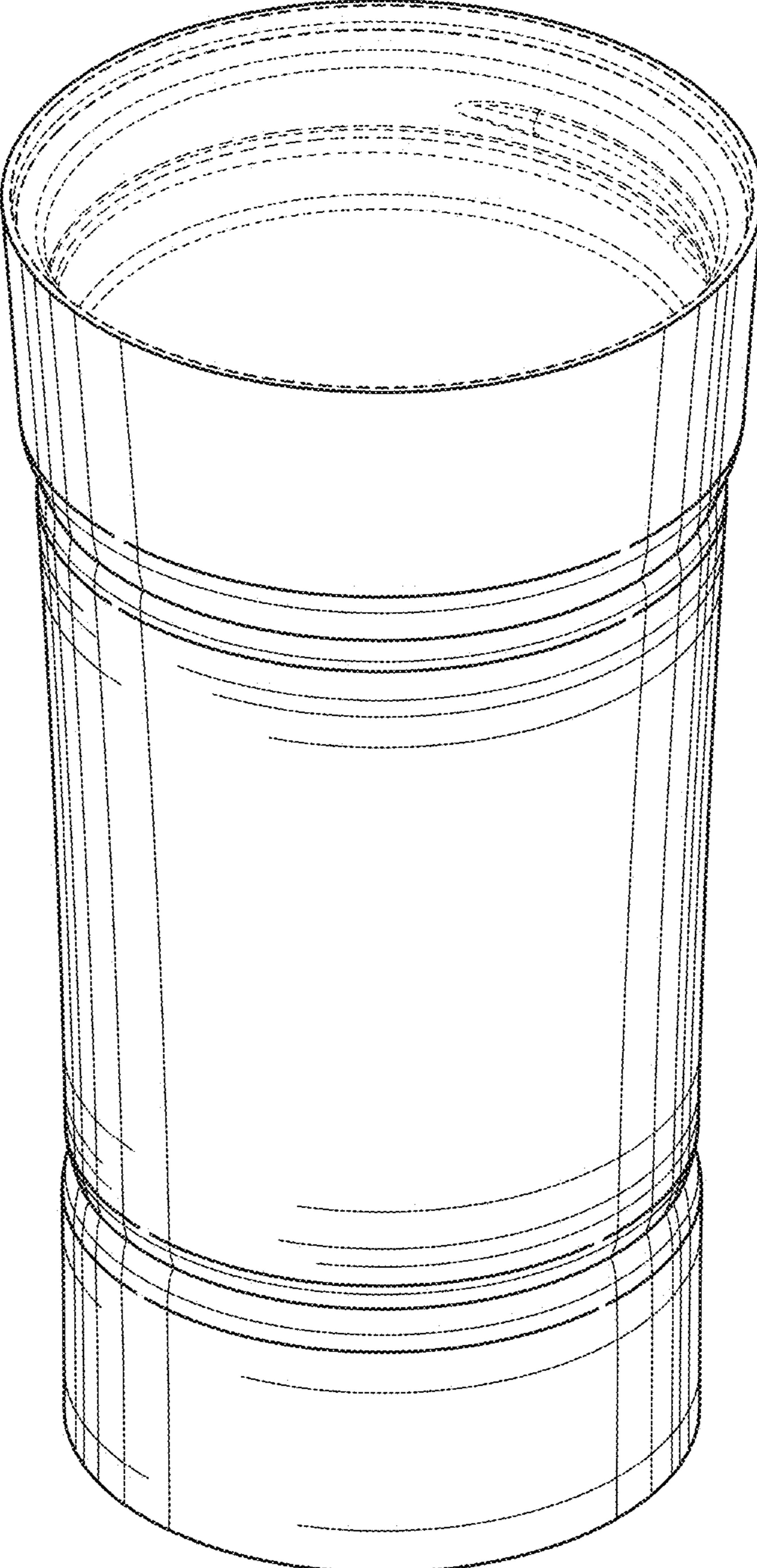


FIG. 1

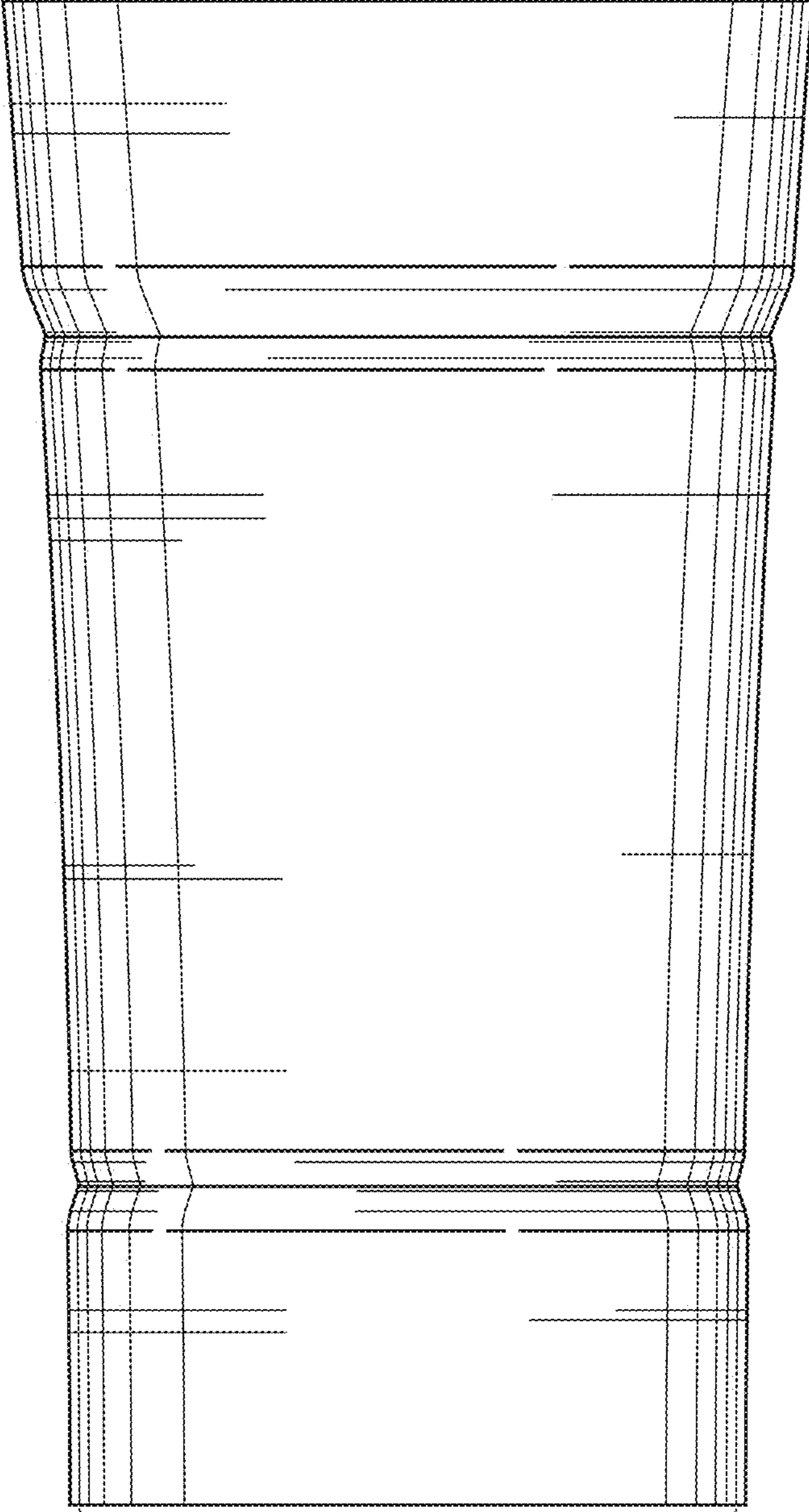


FIG. 2

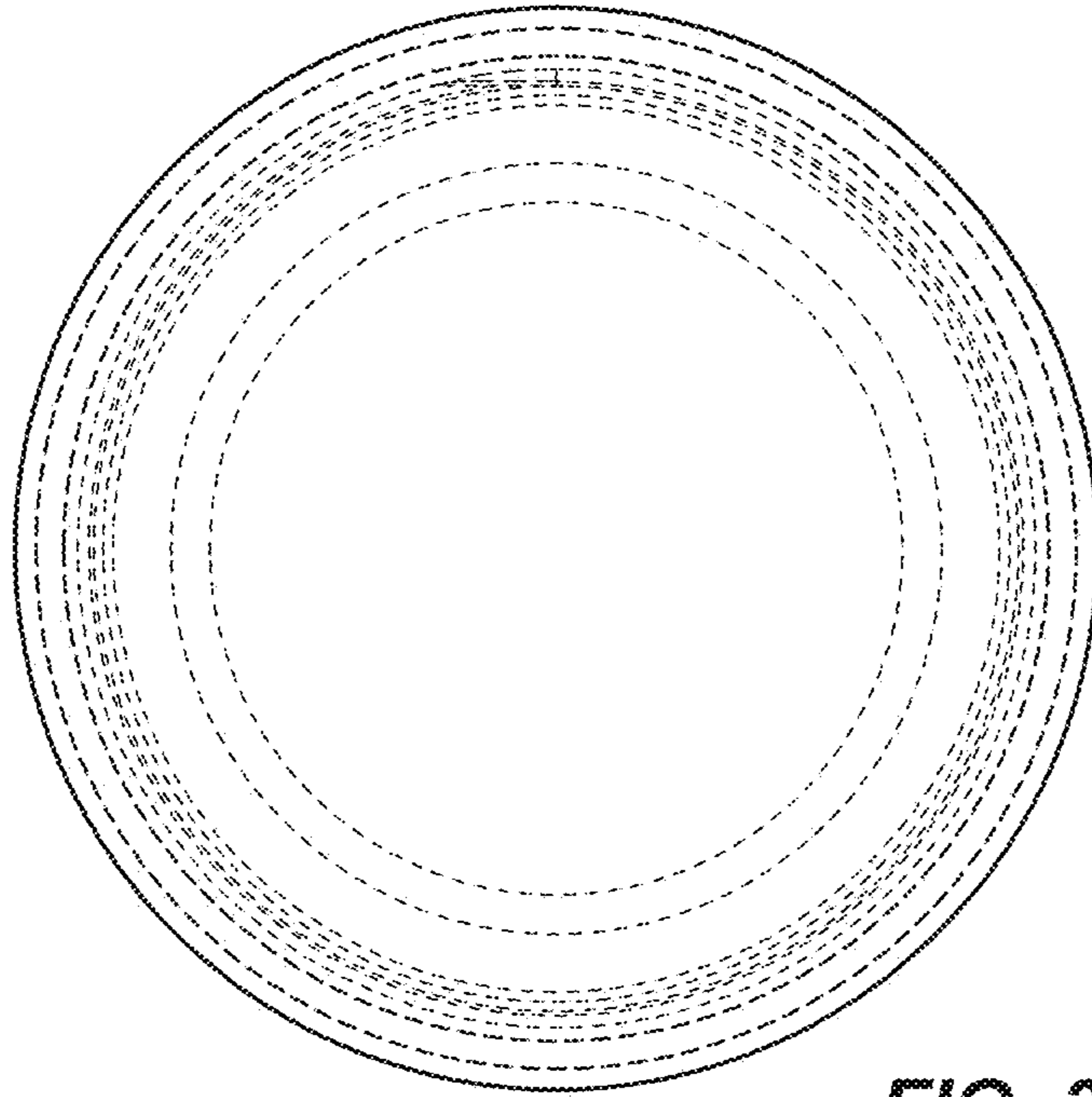


FIG. 3

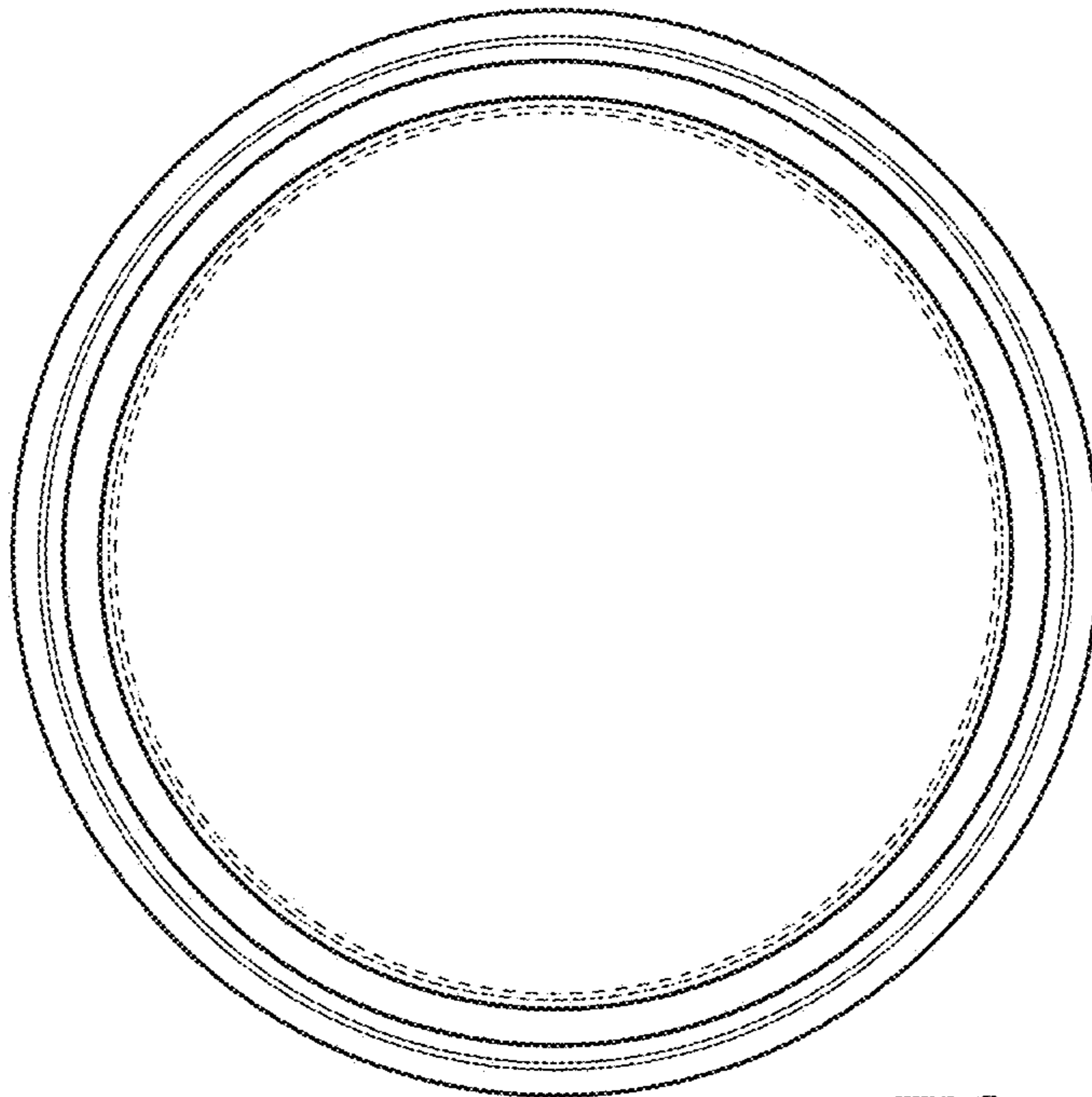


FIG. 4

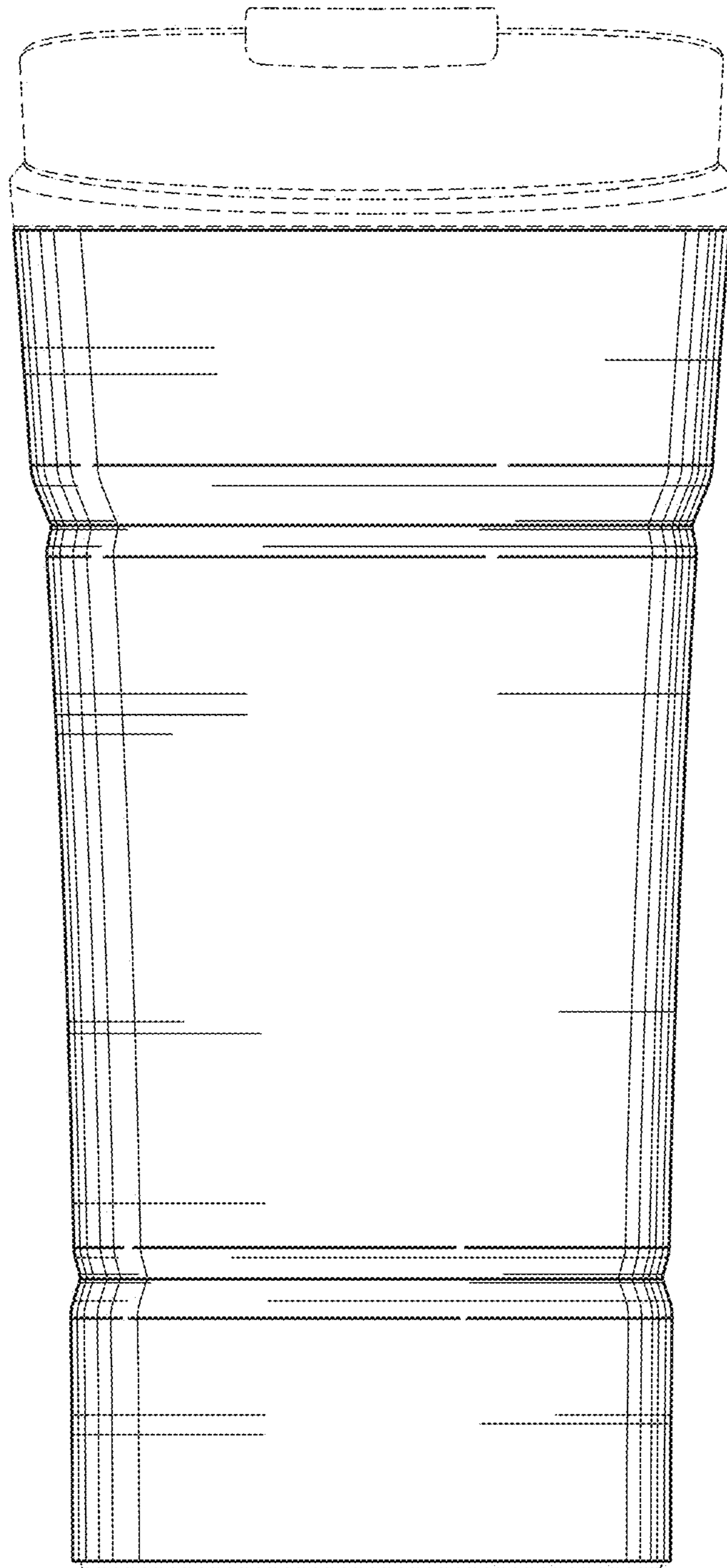


FIG. 5

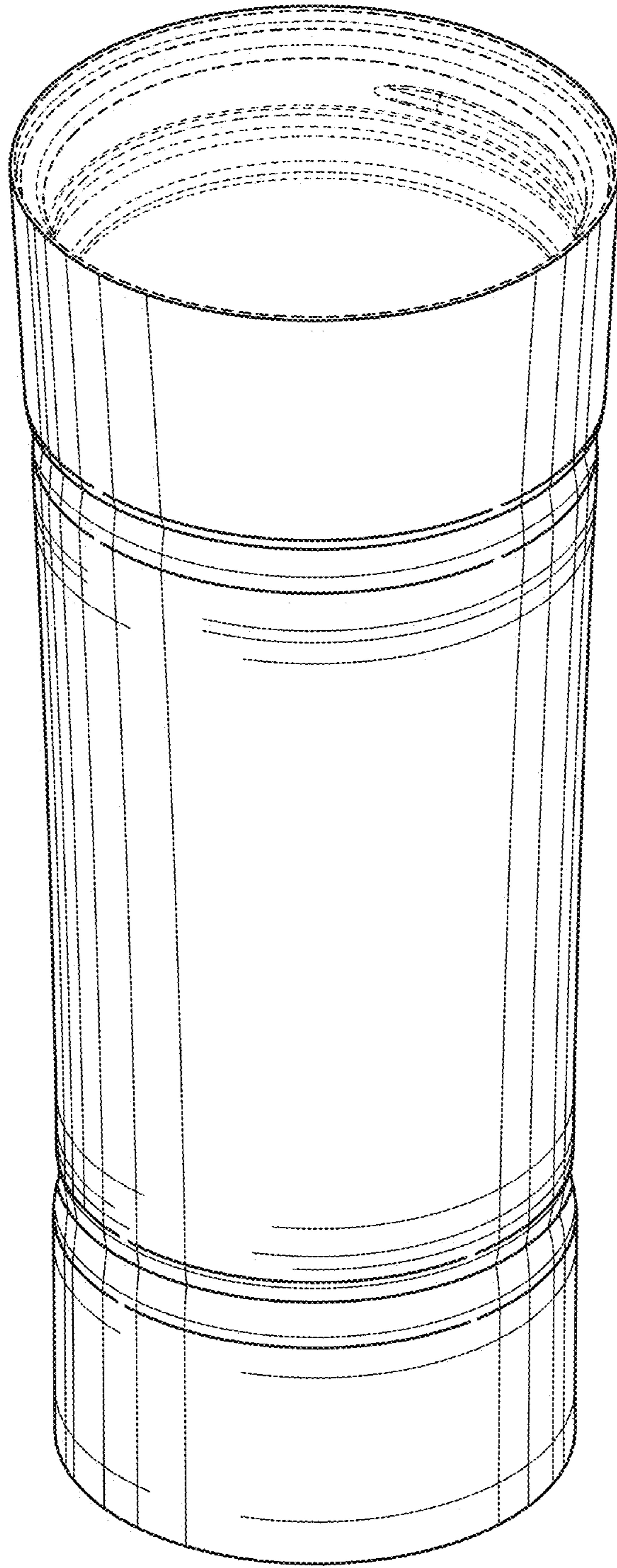


FIG. 6

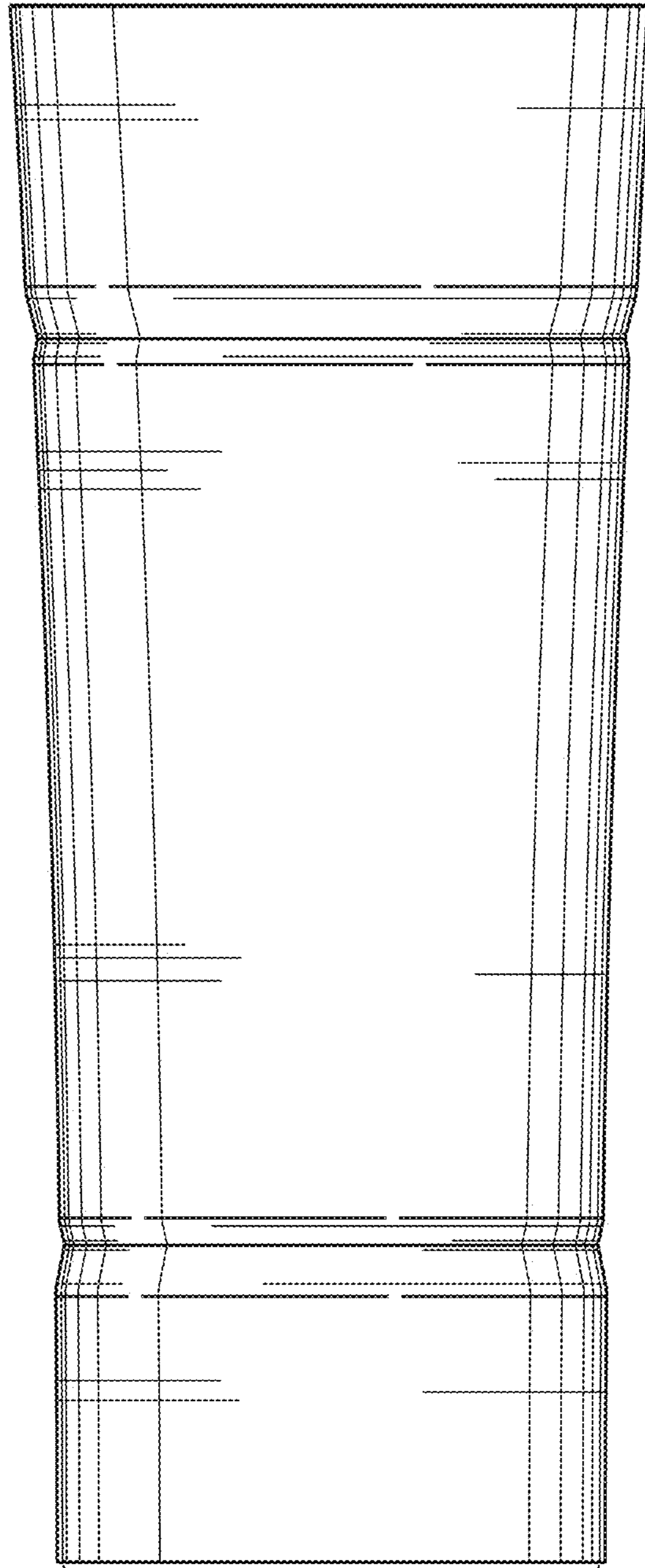


FIG. 7

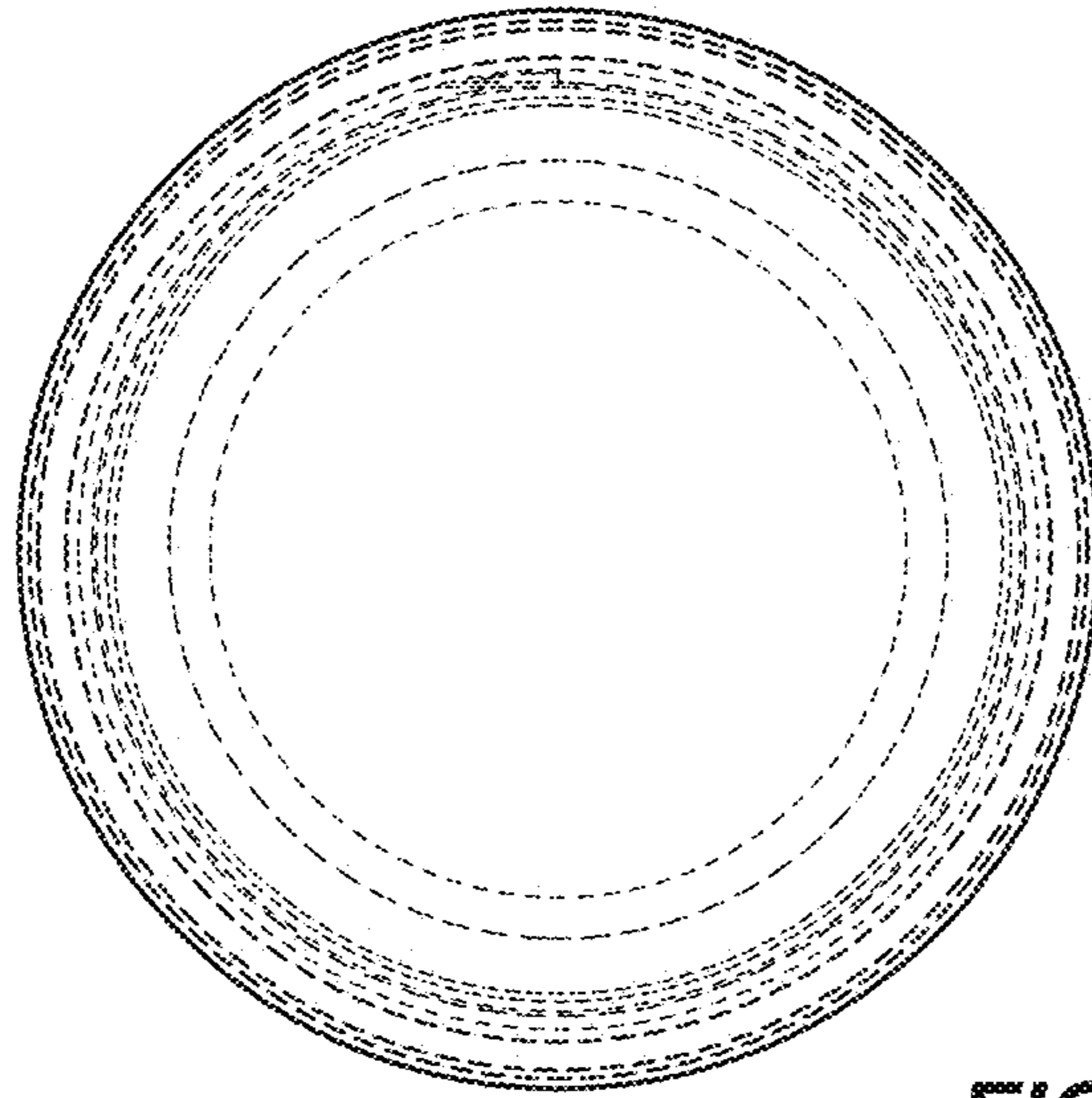


FIG. 8

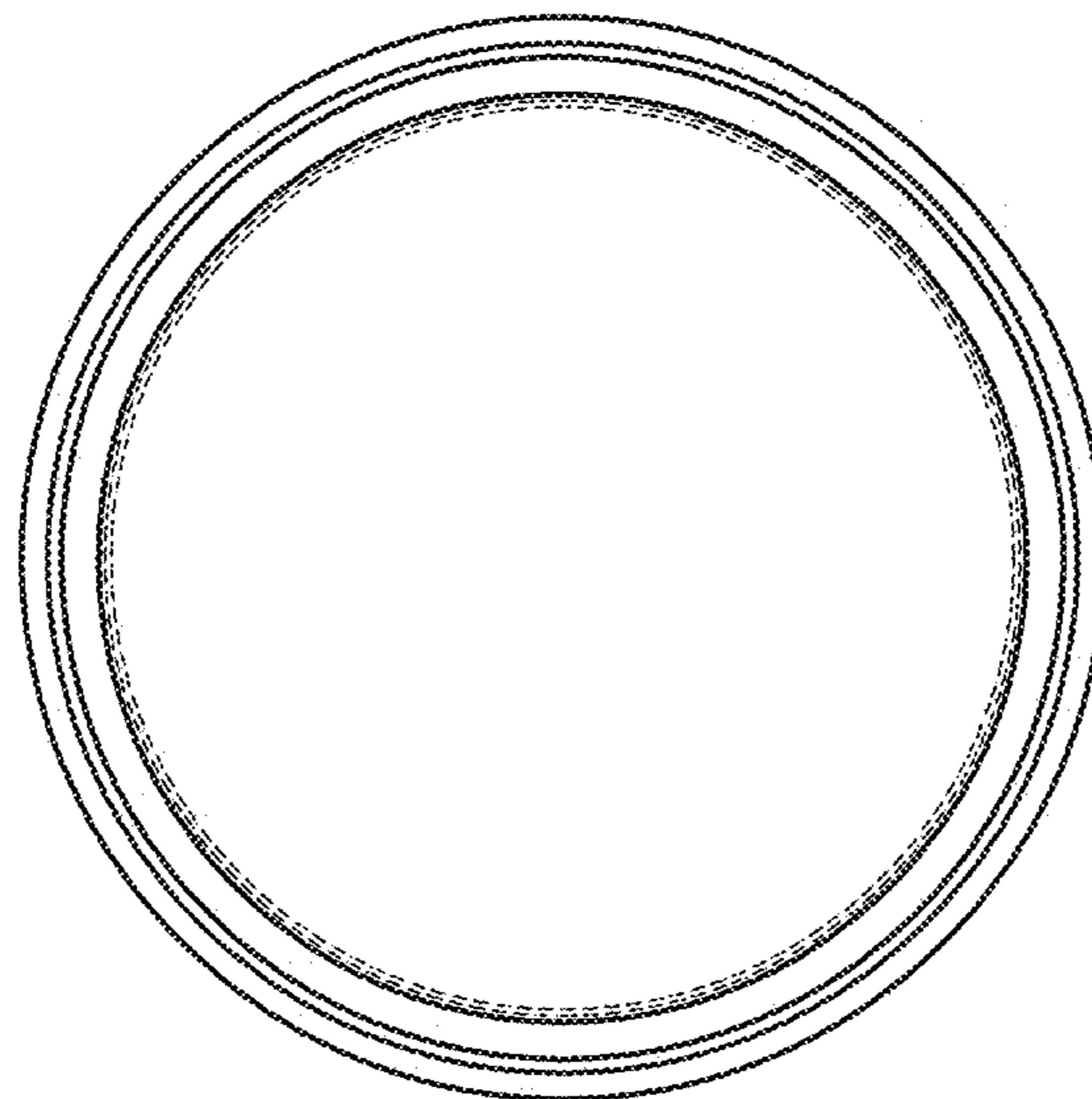


FIG. 9

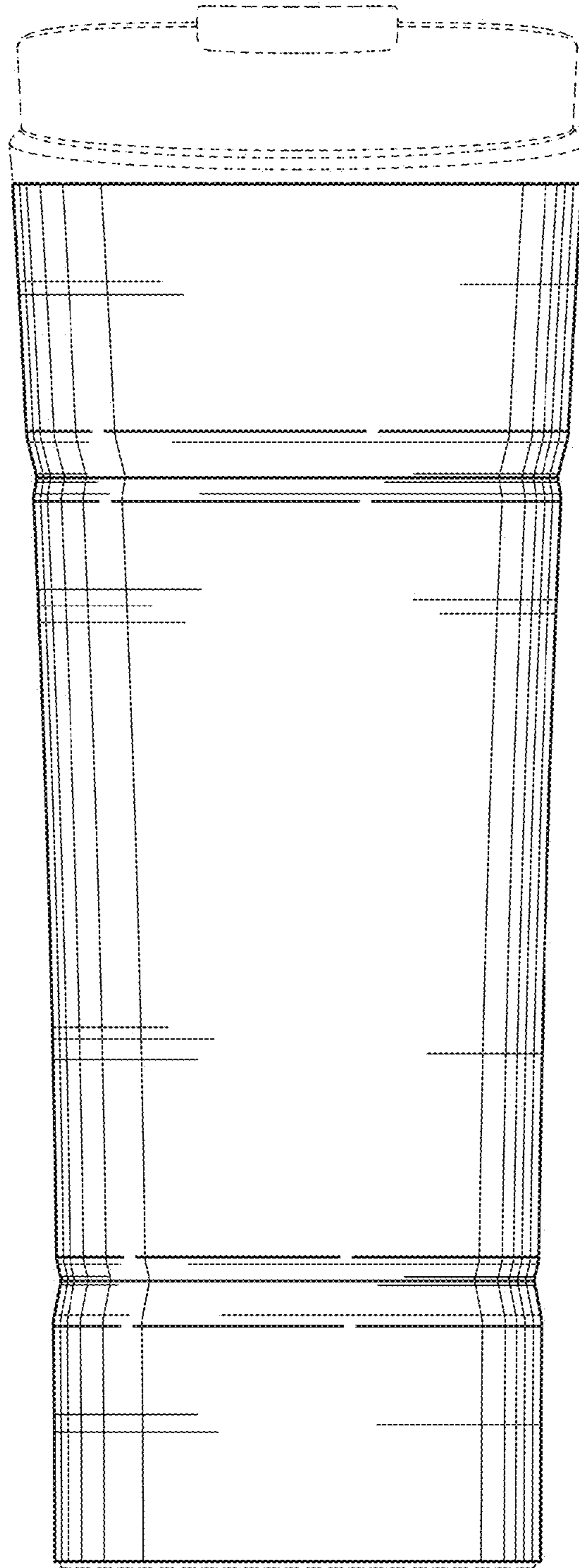


FIG. 10