



US00D729585S

(12) **United States Design Patent**
Boroski

(10) **Patent No.:** **US D729,585 S**

(45) **Date of Patent:** **** May 19, 2015**

(54) **BEVERAGE BOTTLE**

(71) Applicant: **THERMOS L.L.C.**, Schaumburg, IL
(US)

(72) Inventor: **Dwayne Boroski**, Lake in the Hills, IL
(US)

(73) Assignee: **THERMOS L.L.C.**, Schaumburg, IL
(US)

(**) Term: **14 Years**

(21) Appl. No.: **29/458,027**

(22) Filed: **Jun. 14, 2013**

(51) **LOC (10) Cl.** **07-01**

(52) **U.S. Cl.**
USPC **D7/511**

(58) **Field of Classification Search**
CPC A47G 19/22–19/2277
USPC D7/510, 511, 523, 526, 532, 509, 608,
D7/392.1, 396.2; D11/152–154; 220/703,
220/705, 710–711, 713–715, 592.16,
220/592.17; D9/449, 500, 502–504
See application file for complete search history.

(56) **References Cited**

U.S. PATENT DOCUMENTS

D537,721 S * 3/2007 Kertels D9/504
D554,505 S * 11/2007 Gilbert D9/503
D592,012 S * 5/2009 Carreno D7/510
D611,765 S * 3/2010 George D7/510
D627,603 S * 11/2010 Eyal D7/510

D629,252 S * 12/2010 Alviar et al. D7/510
D639,166 S * 6/2011 Carreno D9/504
D639,660 S * 6/2011 Carreno D9/504
D655,134 S * 3/2012 Gilbert D7/510
D655,580 S * 3/2012 Kotani D7/608
D693,630 S * 11/2013 Hurley et al. D7/392.1
D709,734 S * 7/2014 Kotani D7/608
2010/0200602 A1 * 8/2010 Chan 220/714

* cited by examiner

Primary Examiner — Susan Bennett Hattan

Assistant Examiner — Brett Miller

(74) *Attorney, Agent, or Firm* — Polsinelli PC

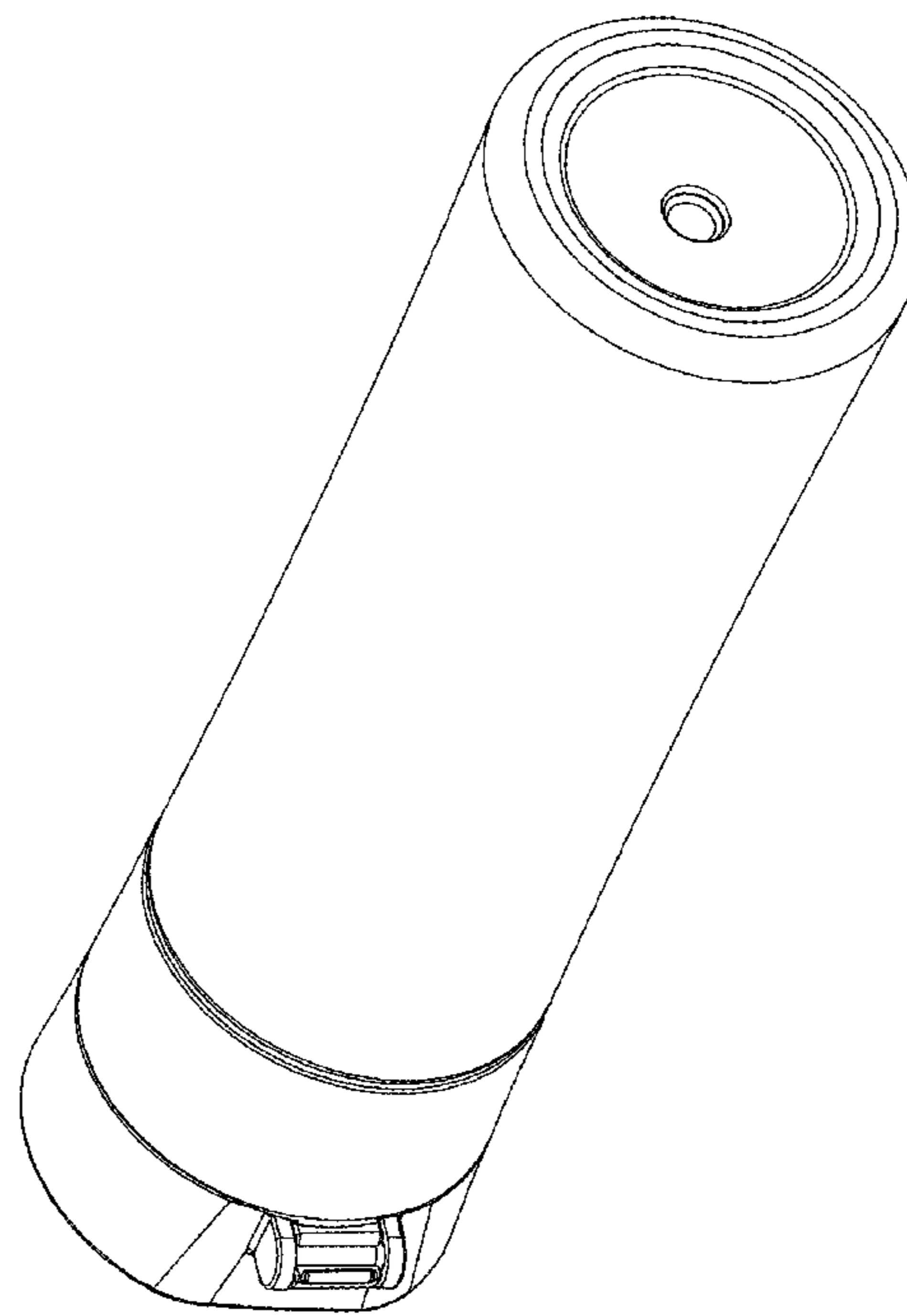
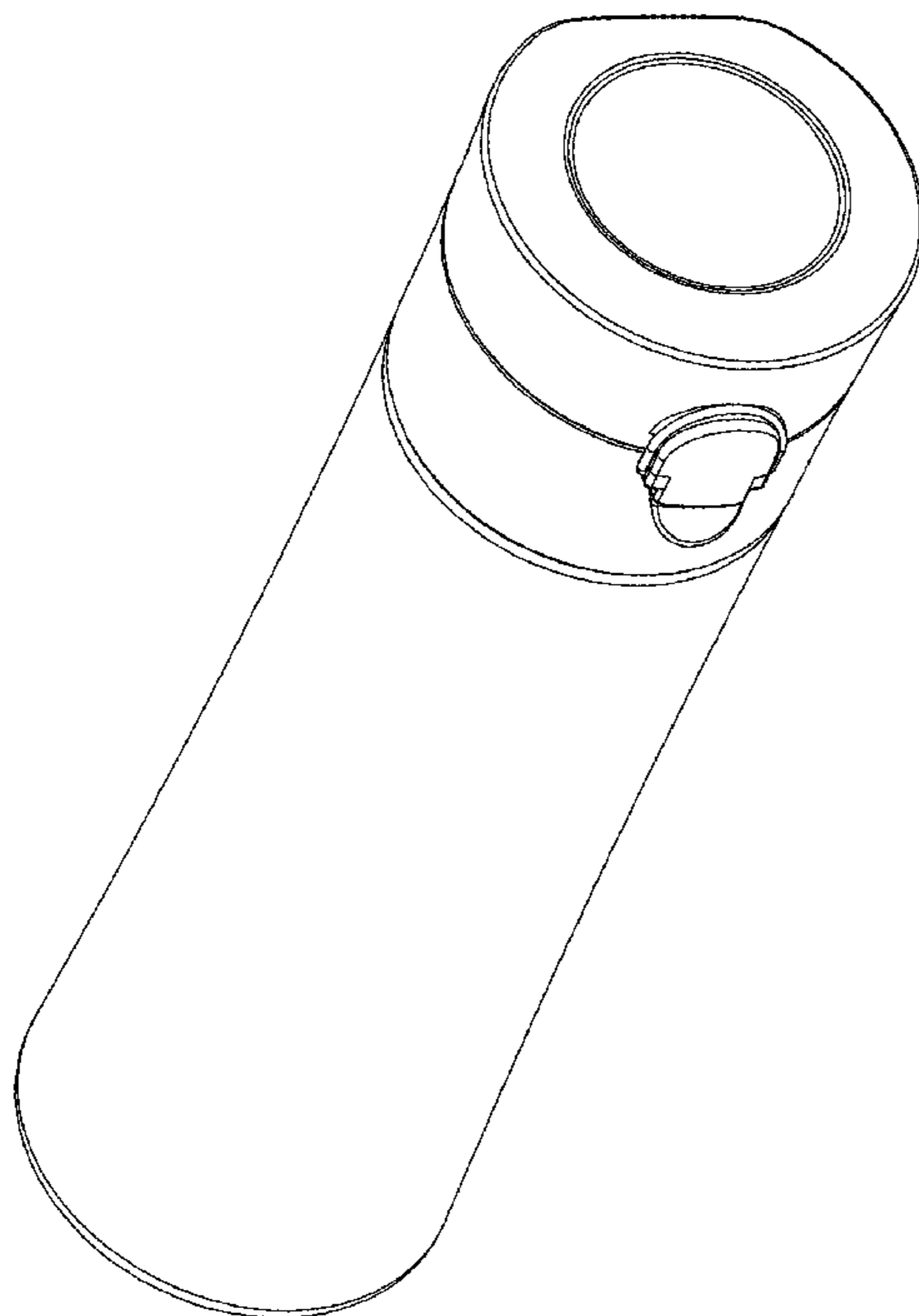
(57) **CLAIM**

The ornamental design for a beverage bottle, as shown and described.

DESCRIPTION

FIG. 1 is a top perspective view of a beverage bottle;
FIG. 2 is a bottom perspective view of the beverage bottle shown in FIG. 1;
FIG. 3 is a top plan view of the beverage bottle shown in FIG. 1;
FIG. 4 is a left side elevational view of the beverage bottle shown in FIG. 1;
FIG. 5 is a front elevational view of the beverage bottle shown in FIG. 1;
FIG. 6 is a right side elevational view of the beverage bottle shown in FIG. 1;
FIG. 7 is a rear elevational view of the beverage bottle shown in FIG. 1; and,
FIG. 8 is a bottom plan view of the beverage bottle shown in FIG. 1.

1 Claim, 8 Drawing Sheets



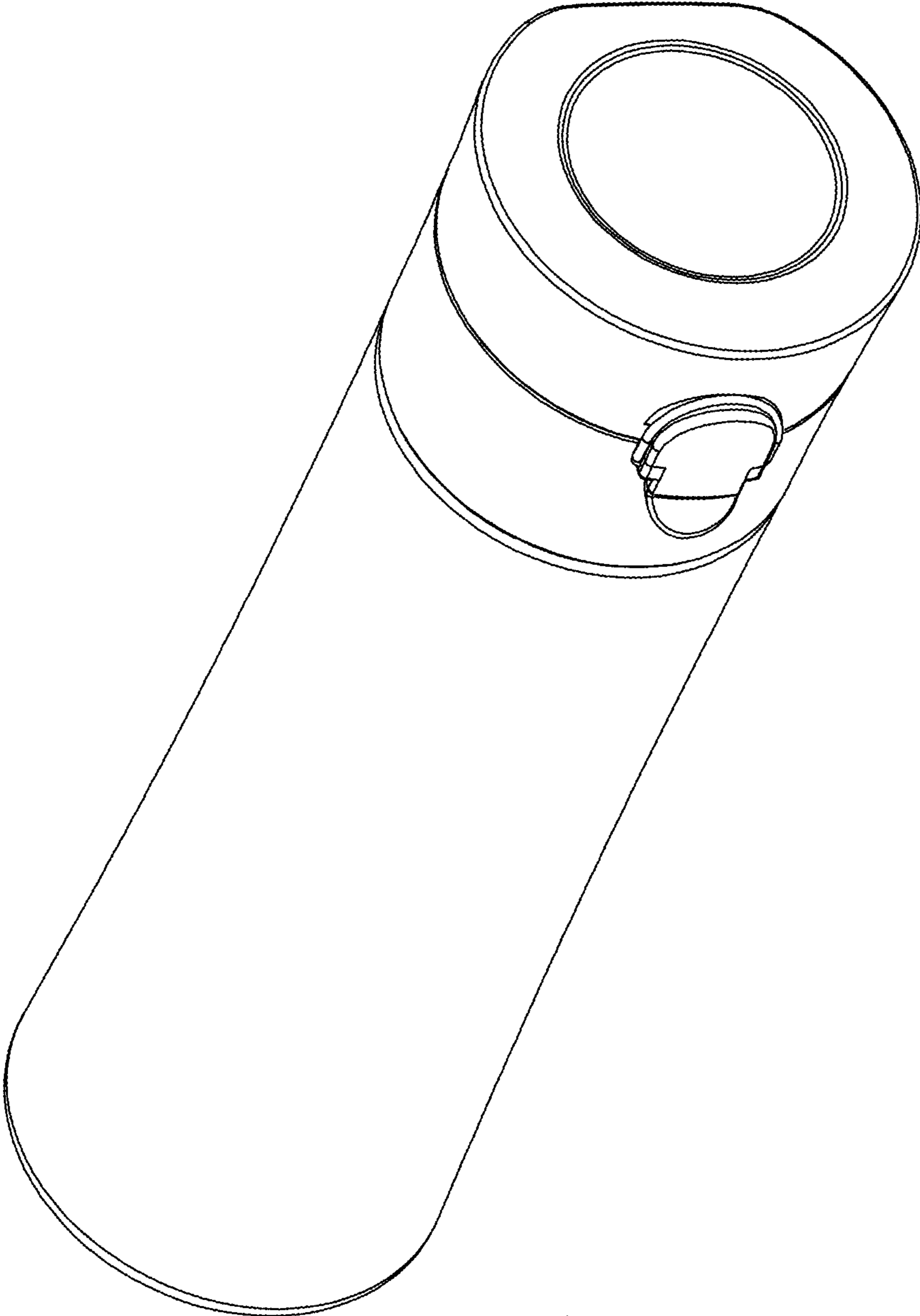


FIG. 1

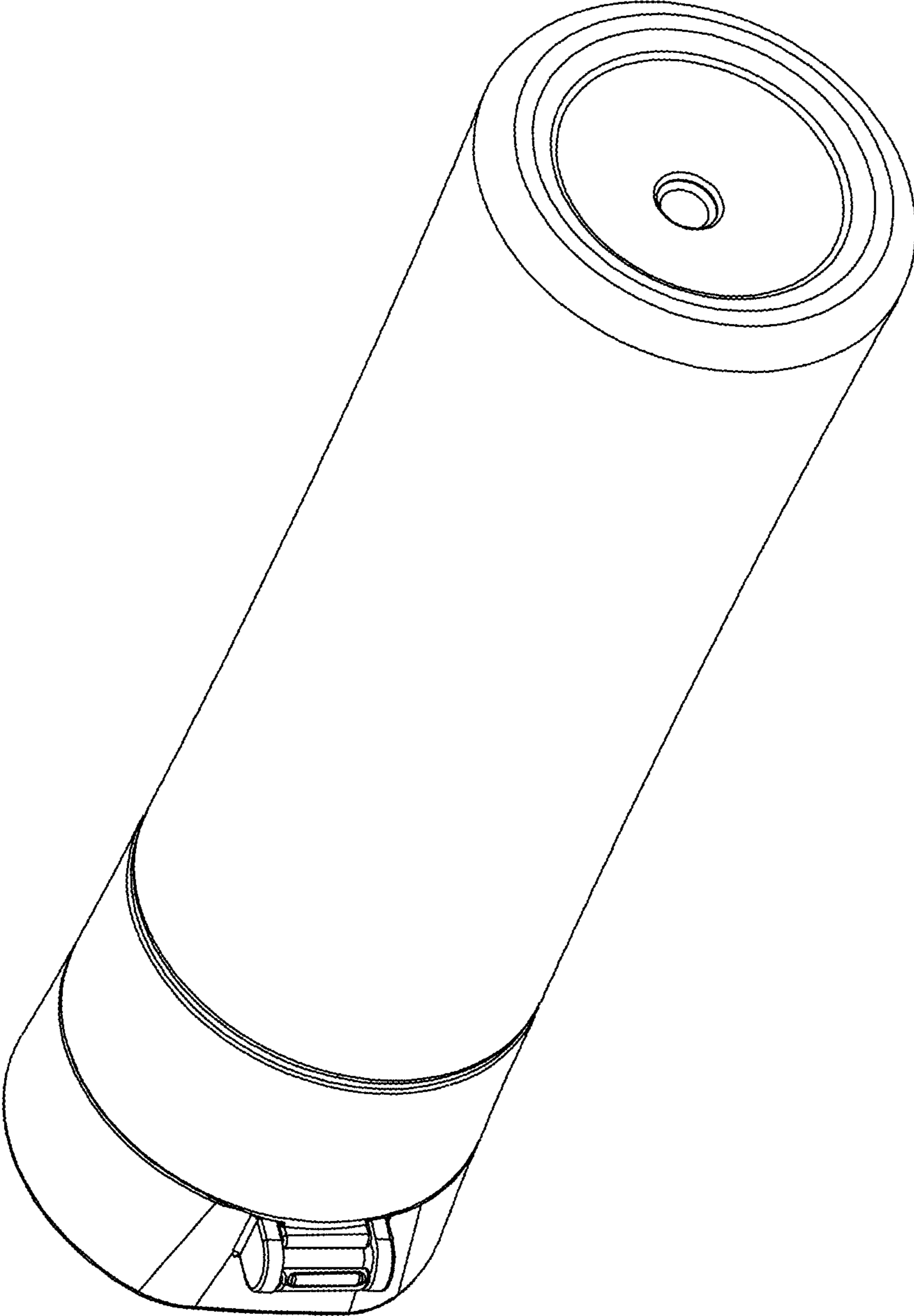


FIG. 2

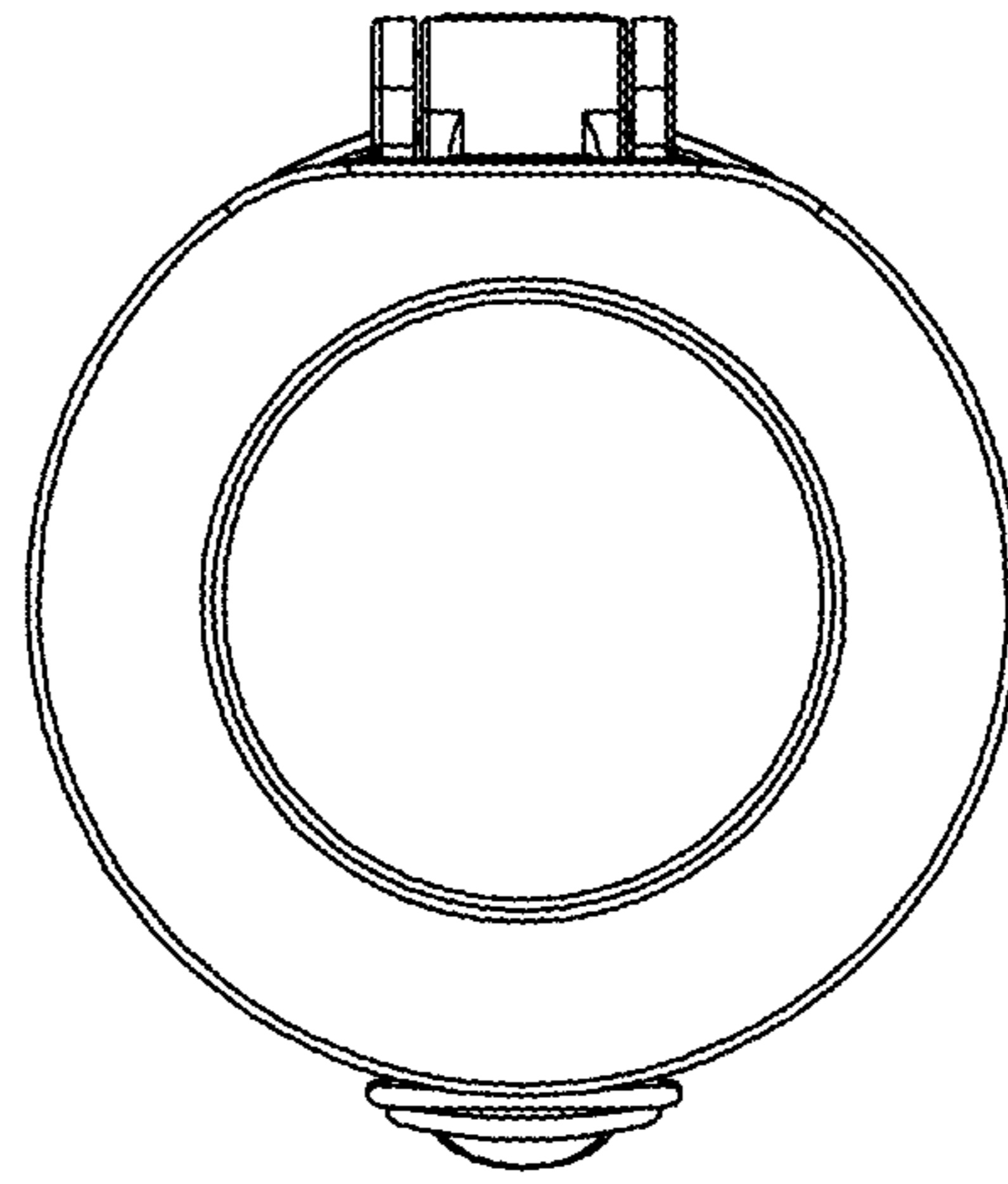


FIG. 3

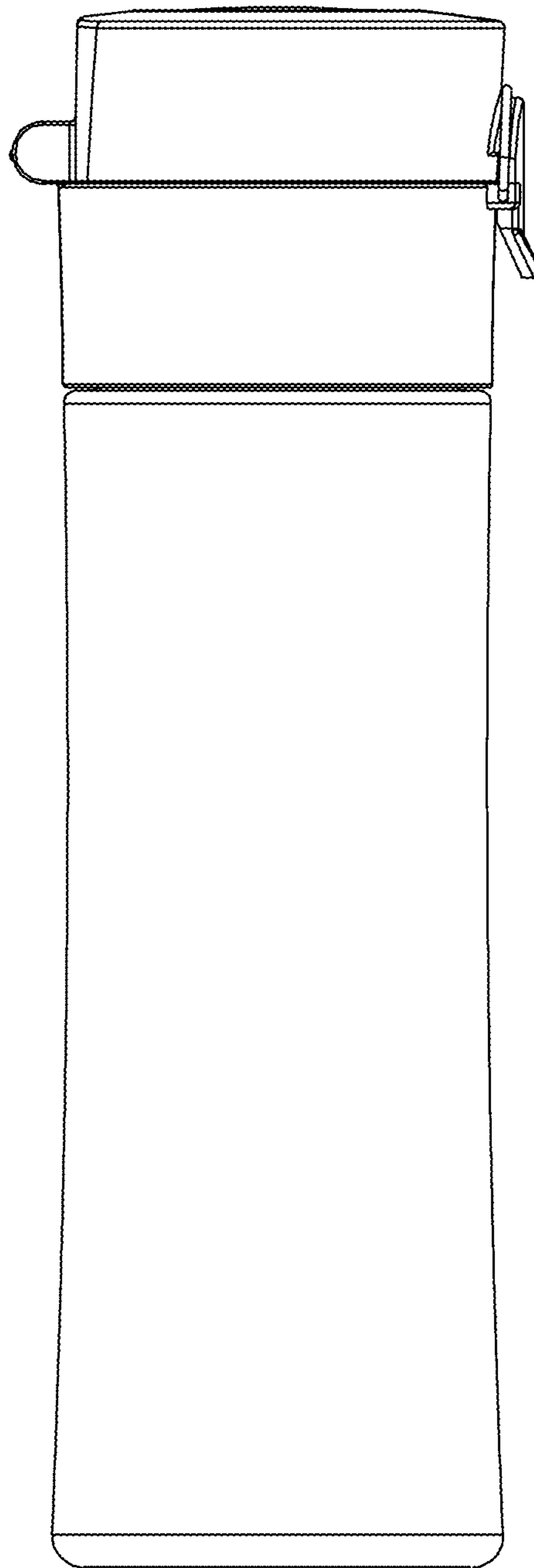


FIG. 4

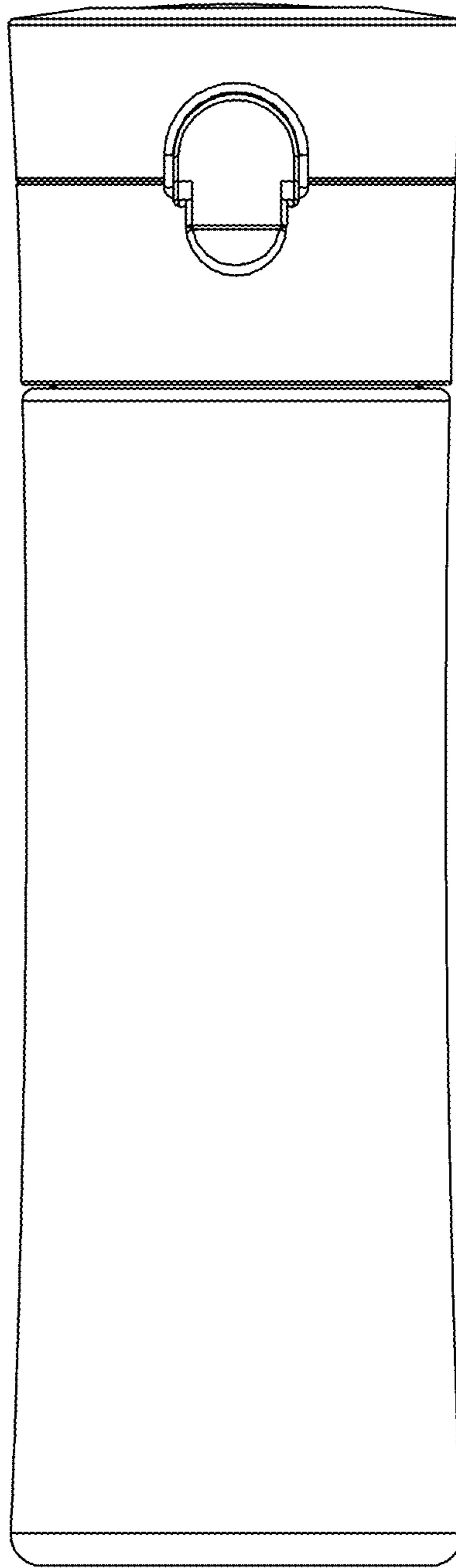


FIG. 5

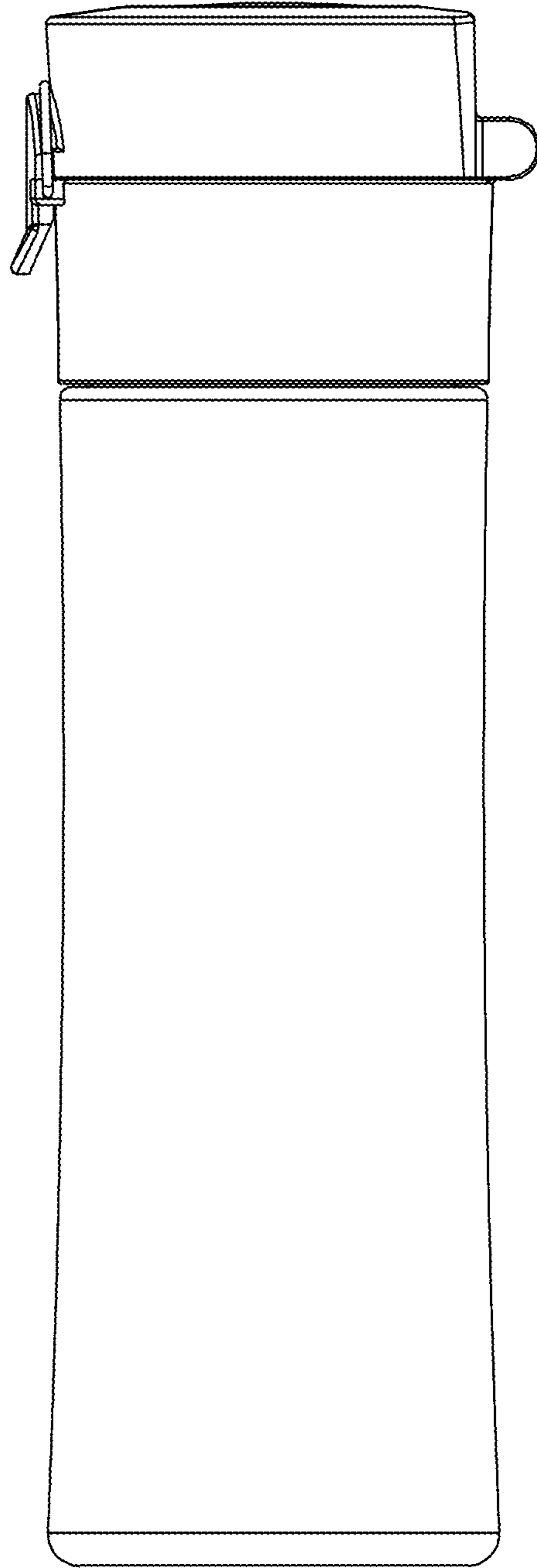


FIG. 6

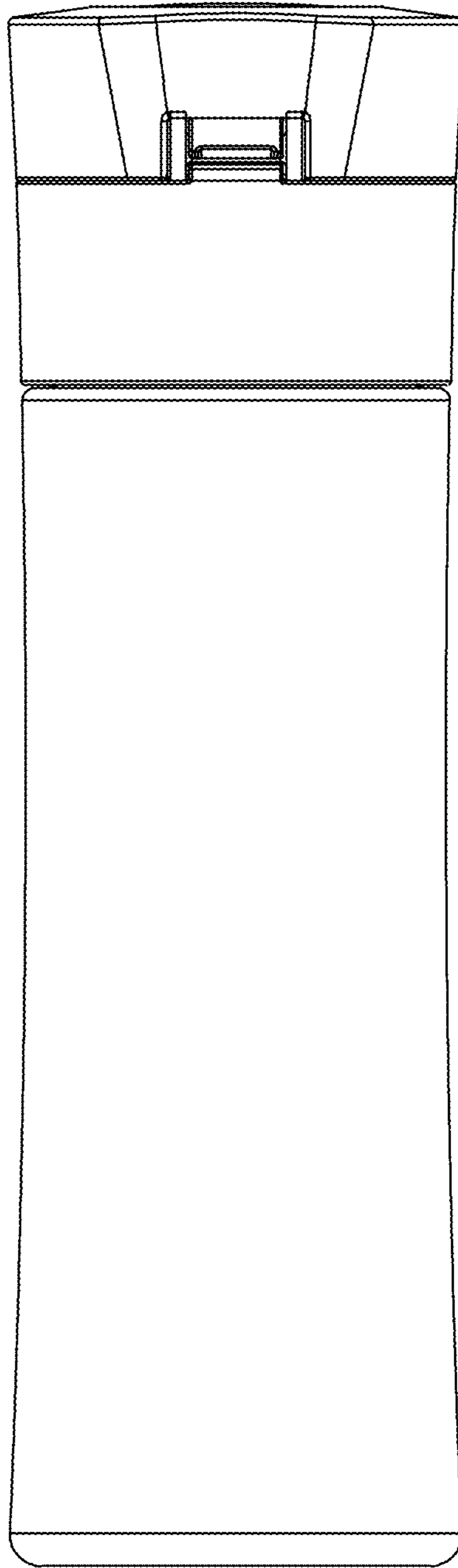


FIG. 7

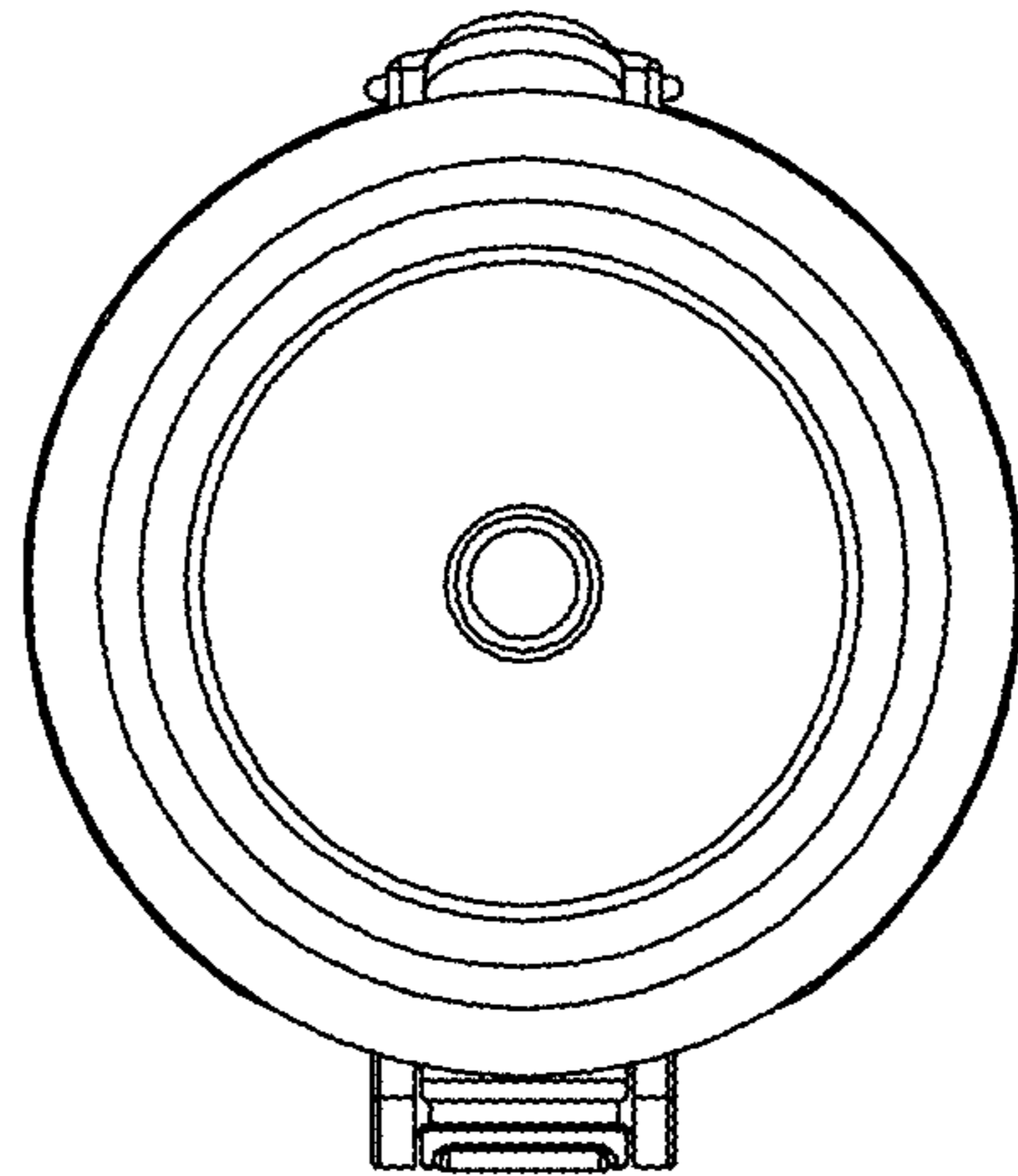


FIG. 8