



US00D729581S

(12) **United States Design Patent**
Boroski

(10) **Patent No.:** **US D729,581 S**
(45) **Date of Patent:** **** May 19, 2015**

(54) **BEVERAGE TUMBLER**

(71) Applicant: **THERMOS L.L.C.**, Schaumburg, IL
(US)

(72) Inventor: **Dwayne Boroski**, Lake in the Hills, IL
(US)

(73) Assignee: **THERMOS L.L.C.**, Schaumburg, IL
(US)

(**) Term: **14 Years**

(21) Appl. No.: **29/458,049**

(22) Filed: **Jun. 14, 2013**

(51) **LOC (10) Cl.** **07-01**

(52) **U.S. Cl.**
USPC **D7/510**

(58) **Field of Classification Search**
CPC A47G 19/22-19/2222; A47G
19/2266-19/2272; B65D 1/265; B65D
81/3865-81/3886
USPC D7/507, 509-512, 523, 531, 532, 533,
D7/535, 536, 392, 392.1, 396.2, 608,
D7/624.2-624.3; D9/500, 502-504;
220/705-709

See application file for complete search history.

(56) **References Cited**

U.S. PATENT DOCUMENTS

D47,800	S	*	9/1915	Pick	D7/523
4,121,835	A	*	10/1978	Garabedian	369/68
4,494,668	A	*	1/1985	Lottick	220/709
4,948,009	A	*	8/1990	Sawatani	220/229
D340,836	S	*	11/1993	Cautereels	D7/511
D345,676	S	*	4/1994	Biffle	D7/510
5,361,935	A	*	11/1994	Sagucio	220/709
D372,868	S	*	8/1996	Kobayashi et al.	D9/778
D416,757	S	*	11/1999	Ginuntoli	D7/523

D425,370	S	*	5/2000	Malusek	D7/511
D454,755	S	*	3/2002	Jørgensen	D7/510
D474,077	S	*	5/2003	Hatsumoto	D7/608
D476,193	S	*	6/2003	Janky	D7/510
D483,995	S	*	12/2003	Otake	D7/523
D540,124	S	*	4/2007	Ross	D7/608
D569,188	S	*	5/2008	Tornqvist	D7/523
D668,914	S	*	10/2012	Riedel et al.	D7/510
D676,277	S	*	2/2013	Riedel et al.	D7/510
D713,722	S	*	9/2014	Miller	D9/436
2012/0247998	A1	*	10/2012	Wahl	206/459.5
2013/0087571	A1	*	4/2013	Yao	220/709

* cited by examiner

Primary Examiner — Susan Bennett Hattan

Assistant Examiner — Brett Miller

(74) *Attorney, Agent, or Firm* — Polsinelli PC

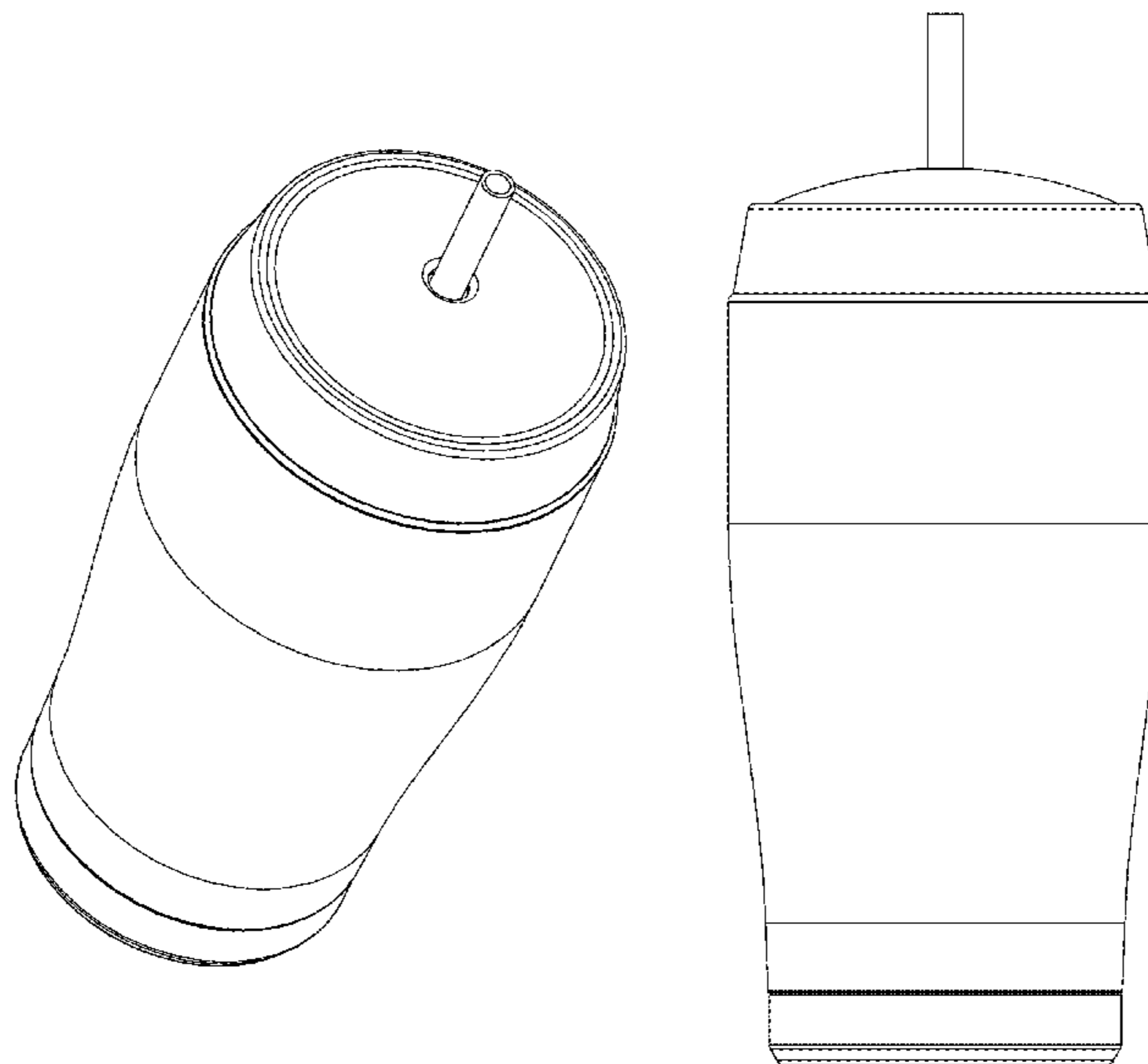
(57) **CLAIM**

The ornamental design for a beverage tumbler, as shown and described.

DESCRIPTION

FIG. 1 is a top perspective view of a beverage tumbler showing my new design;
 FIG. 2 is a bottom perspective view of the beverage tumbler shown in FIG. 1;
 FIG. 3 is a top plan view of the beverage tumbler shown in FIG. 1;
 FIG. 4 is a front elevational view of the beverage tumbler shown in FIG. 1;
 FIG. 5 is a right side elevational view of the beverage tumbler shown in FIG. 1;
 FIG. 6 is a rear elevational view of the beverage tumbler shown in FIG. 1;
 FIG. 7 is a left side elevational view of the beverage tumbler shown in FIG. 1; and,
 FIG. 8 is a bottom plan view of the beverage tumbler shown in FIG. 1.

1 Claim, 8 Drawing Sheets



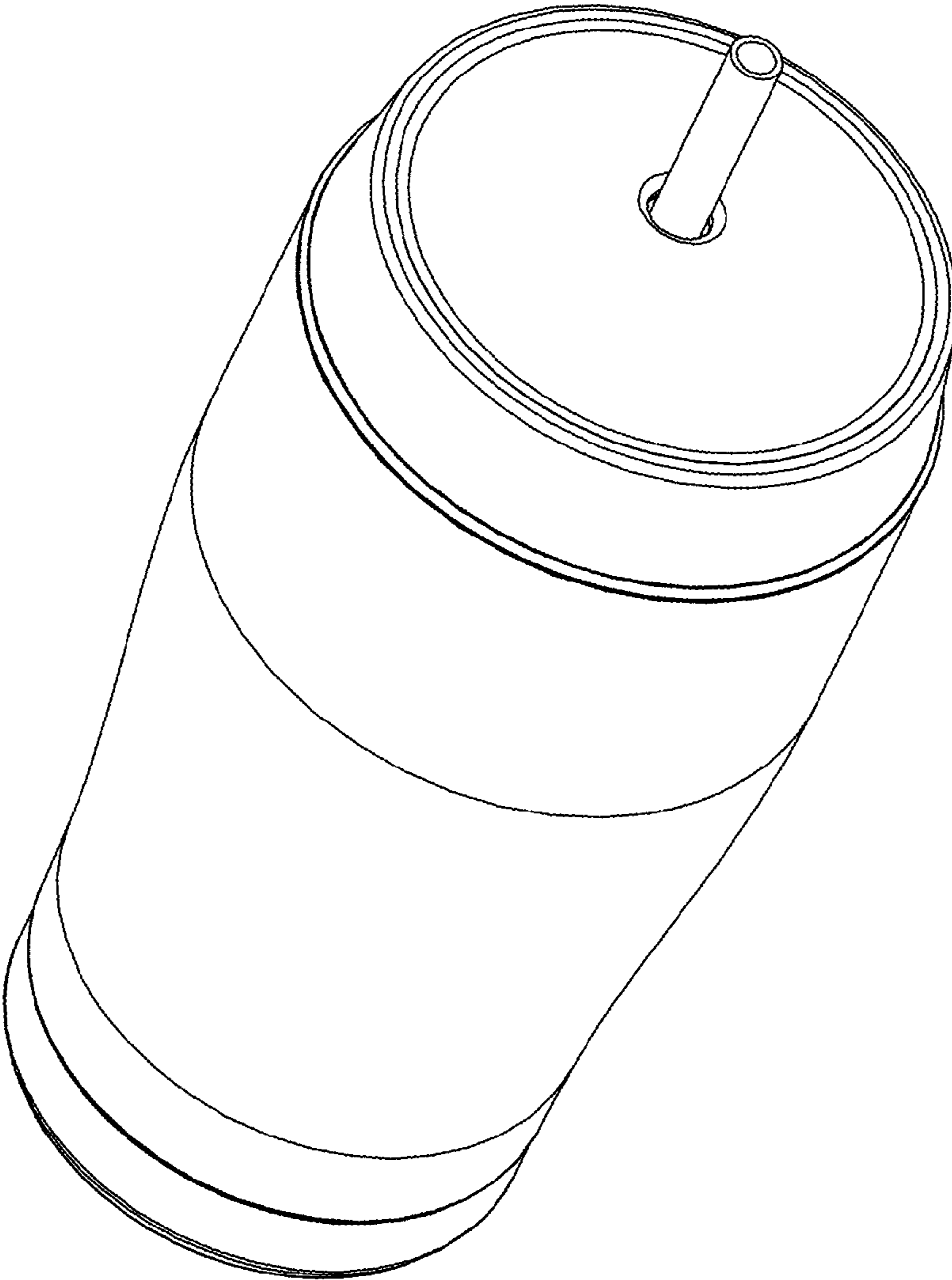


FIG. 1

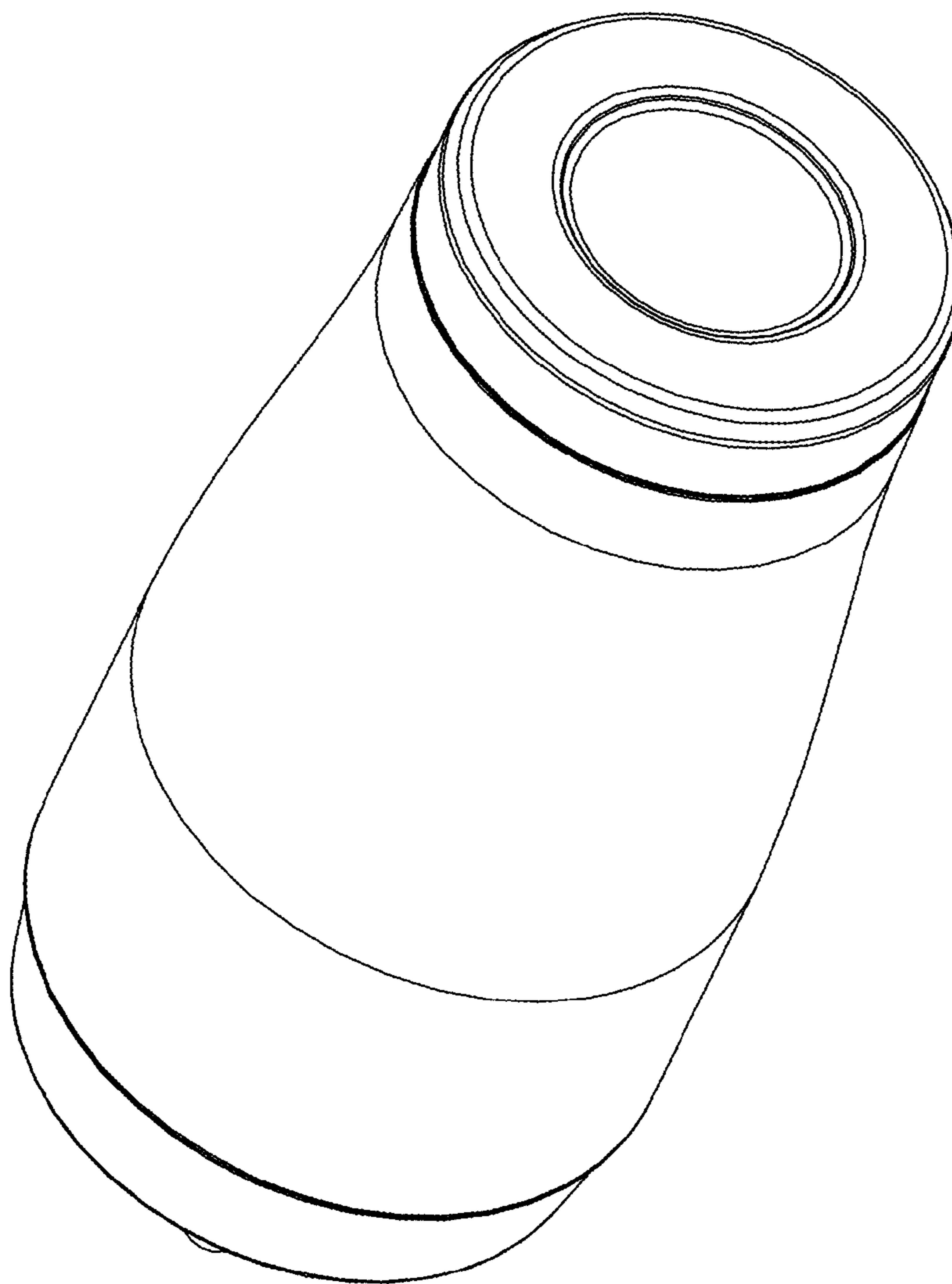


FIG. 2

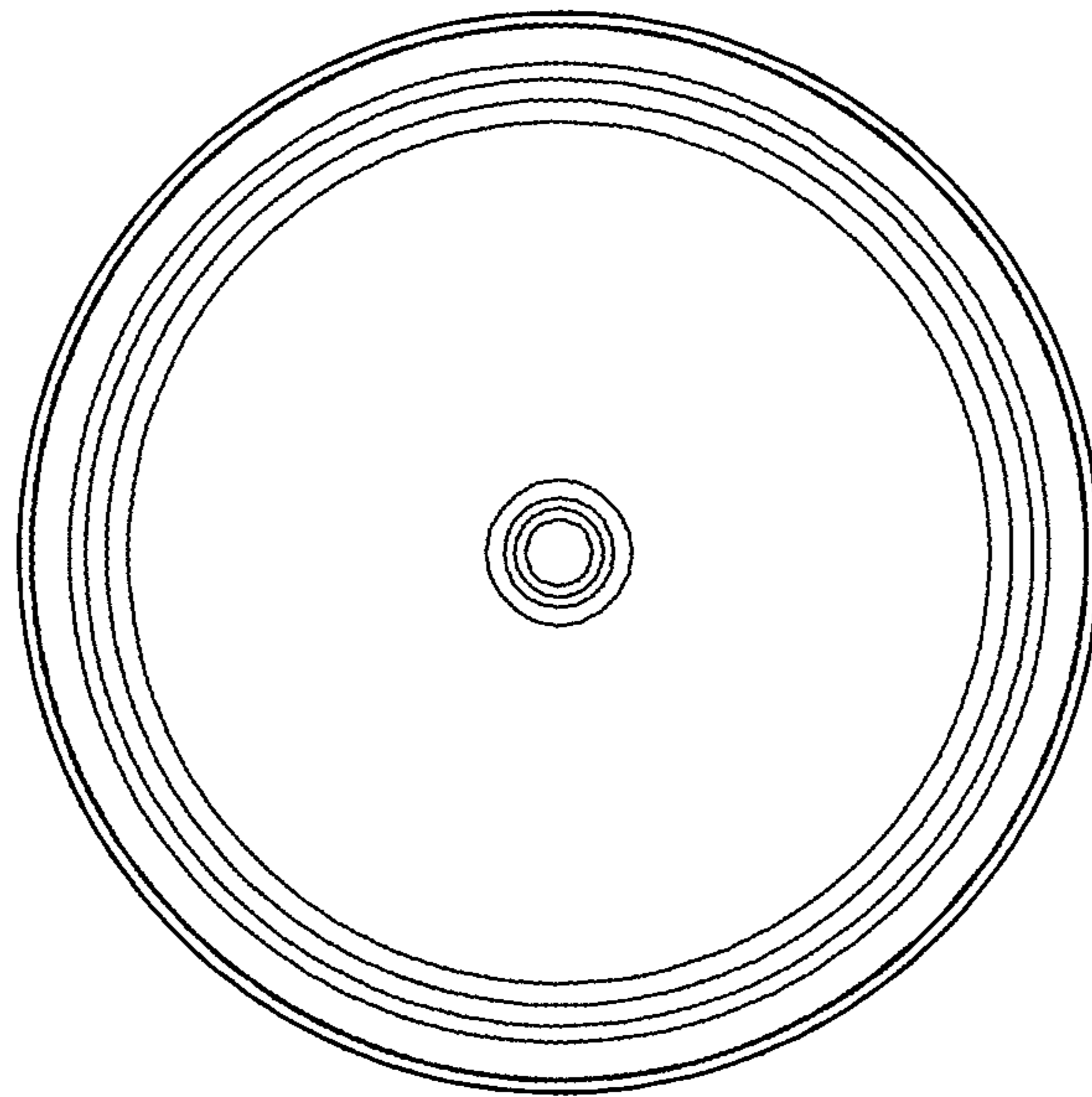


FIG. 3

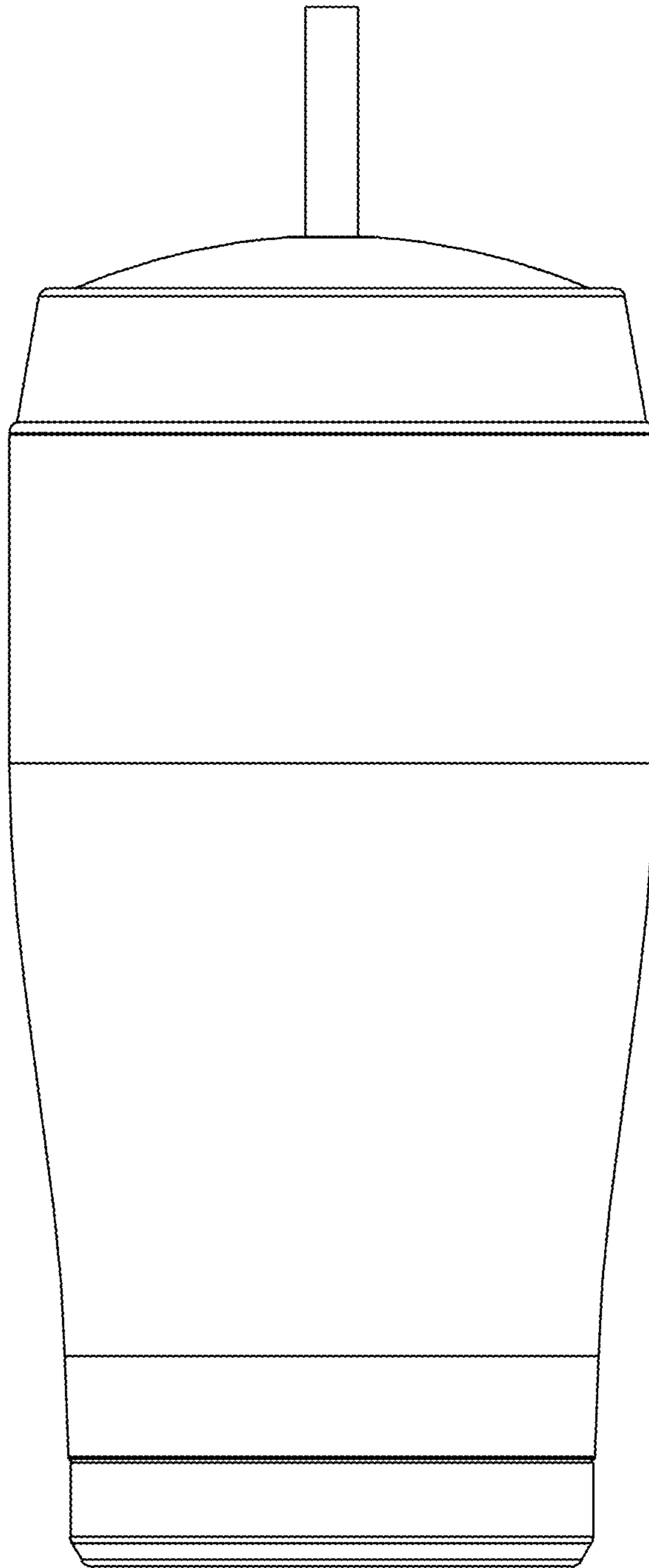


FIG. 4

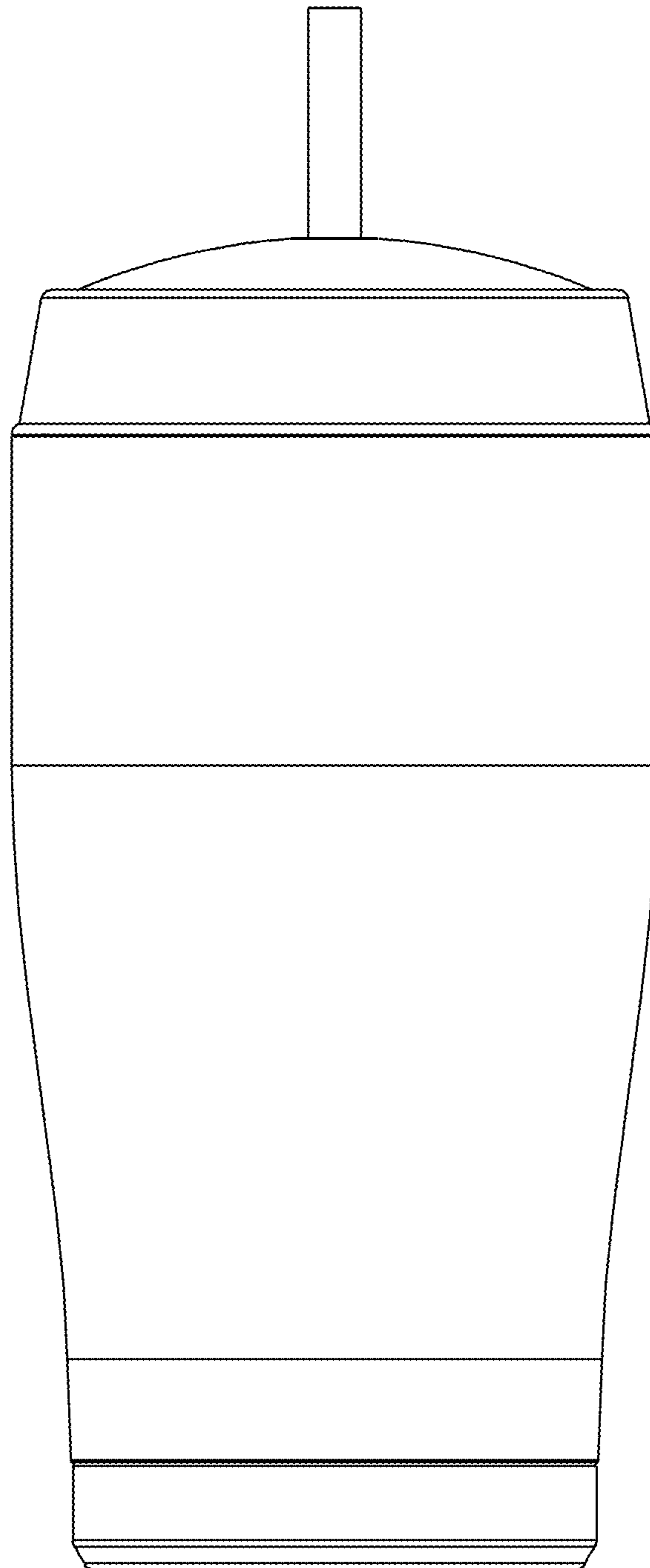


FIG. 5

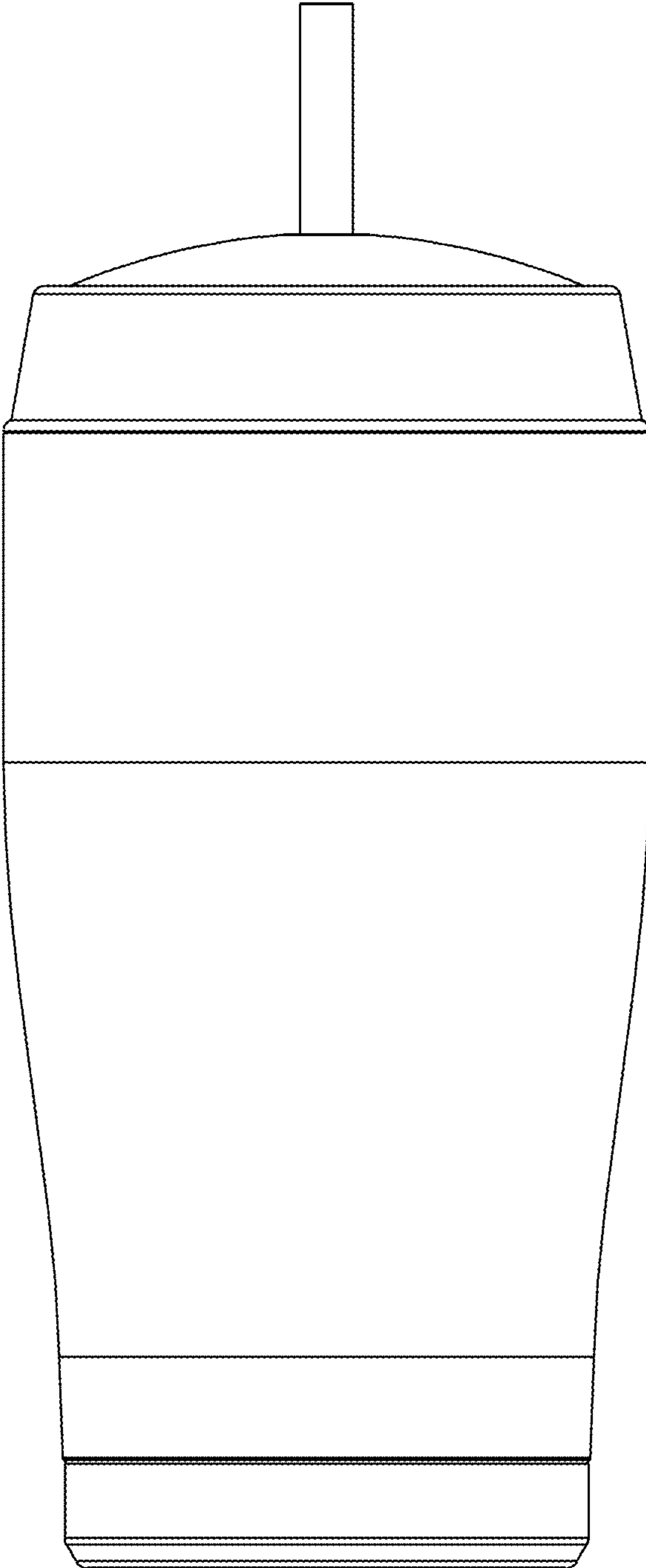


FIG. 6

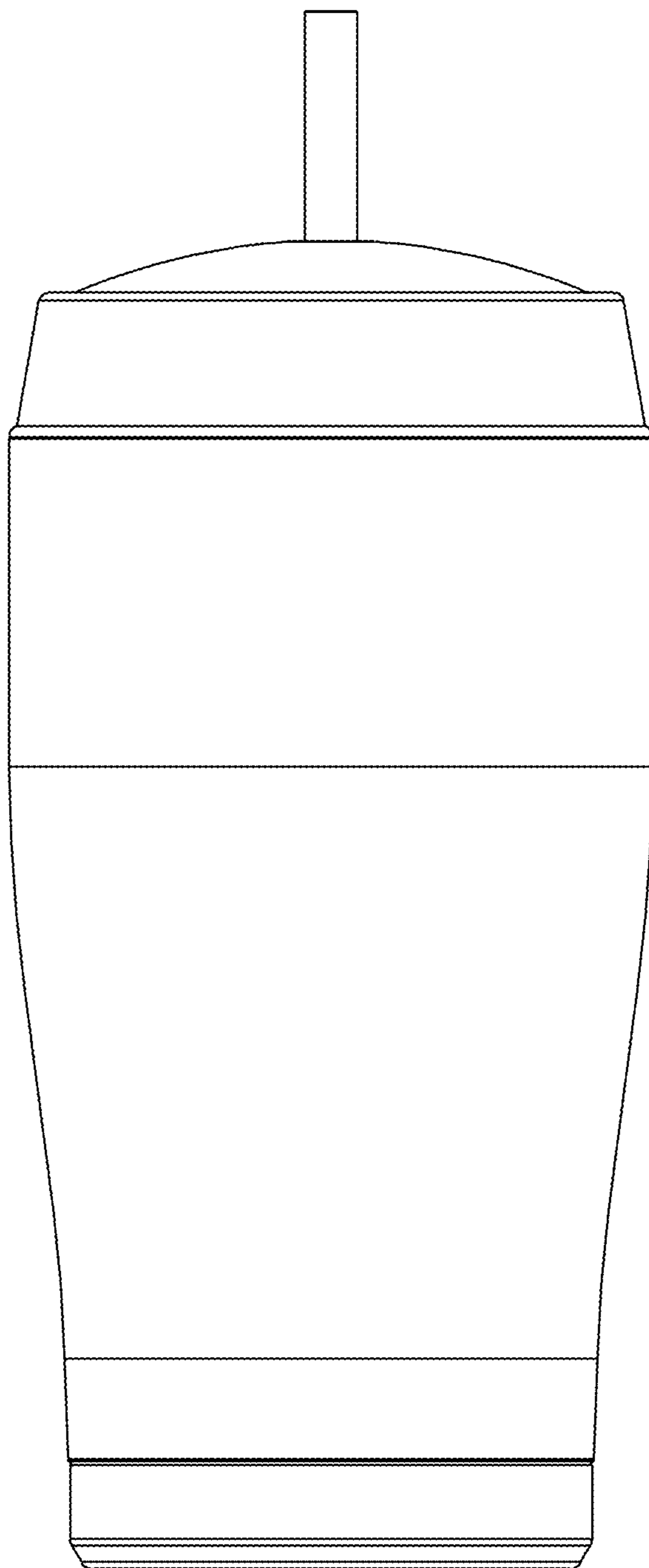


FIG. 7

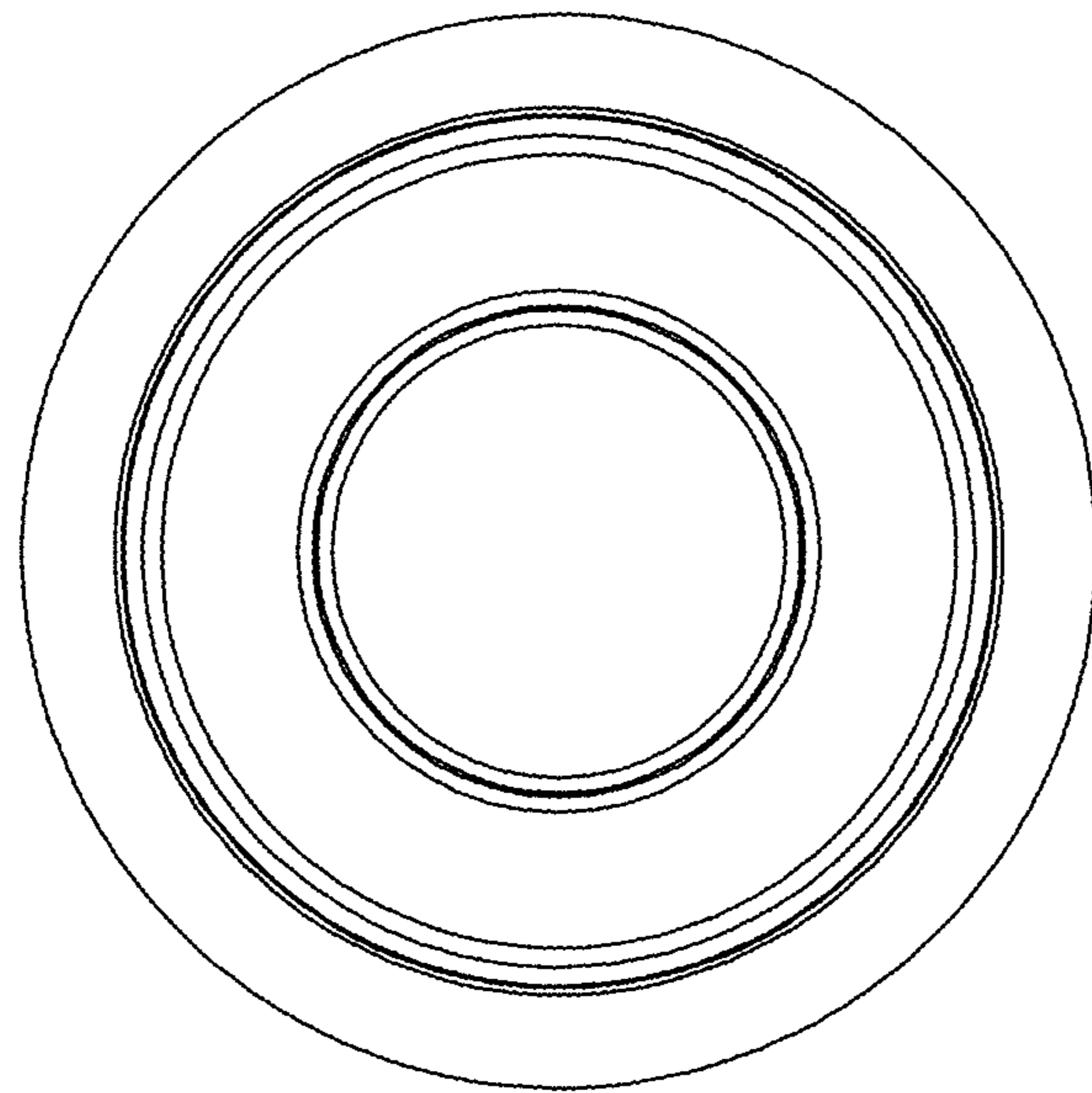


FIG. 8