



US00D729575S

(12) **United States Design Patent**
Hu

(10) **Patent No.:** **US D729,575 S**
(45) **Date of Patent:** **** May 19, 2015**

(54) **IGNITER**

(71) Applicant: **Keren Hu**, Ningbo (CN)

(72) Inventor: **Keren Hu**, Ningbo (CN)

(**) Term: **14 Years**

(21) Appl. No.: **29/458,235**

(22) Filed: **Jun. 17, 2013**

(51) **LOC (10) Cl.** **07-99**

(52) **U.S. Cl.**
USPC **D7/416**

(58) **Field of Classification Search**
CPC F23Q 2/02; F23Q 2/167; F23Q 2/16;
F23Q 1/06
USPC D7/416, 417, 213; D9/423, 452, 454,
D9/504, 563; D27/139, 141, 144, 147,
D27/148, 152-157, 160, 183, 184; D8/30,
D8/29.1; 206/236; 44/507; 361/260, 262;
431/13, 144, 153, 255, 256, 266;
126/409, 25 B, 401; 417/411
See application file for complete search history.

(56) **References Cited**

U.S. PATENT DOCUMENTS

D377,736	S	*	2/1997	Iwagaki et al.	D7/416
5,738,507	A	*	4/1998	Mifune et al.	431/344
D424,372	S	*	5/2000	Chevalier	D7/416
D437,732	S	*	2/2001	Chevalier	D7/416
D450,534	S	*	11/2001	Wang	D7/416
D466,370	S	*	12/2002	Kim	D7/416

D468,586	S	*	1/2003	Saito et al.	D7/416
D482,932	S	*	12/2003	Sher	D7/416
6,663,383	B2	*	12/2003	Jon	431/153
D495,205	S	*	8/2004	Zhou	D7/416
D510,841	S	*	10/2005	Hsu	D7/416
D558,049	S	*	12/2007	Eaton et al.	D9/522
D566,466	S	*	4/2008	Aronson et al.	D7/416
7,556,494	B2	*	7/2009	Huang	431/153
2006/0286496	A1	*	12/2006	Tu	431/153

* cited by examiner

Primary Examiner — Marianne Pandozzi

Assistant Examiner — Jae Liang

(74) *Attorney, Agent, or Firm* — Tianhua Gu; Global IP Services

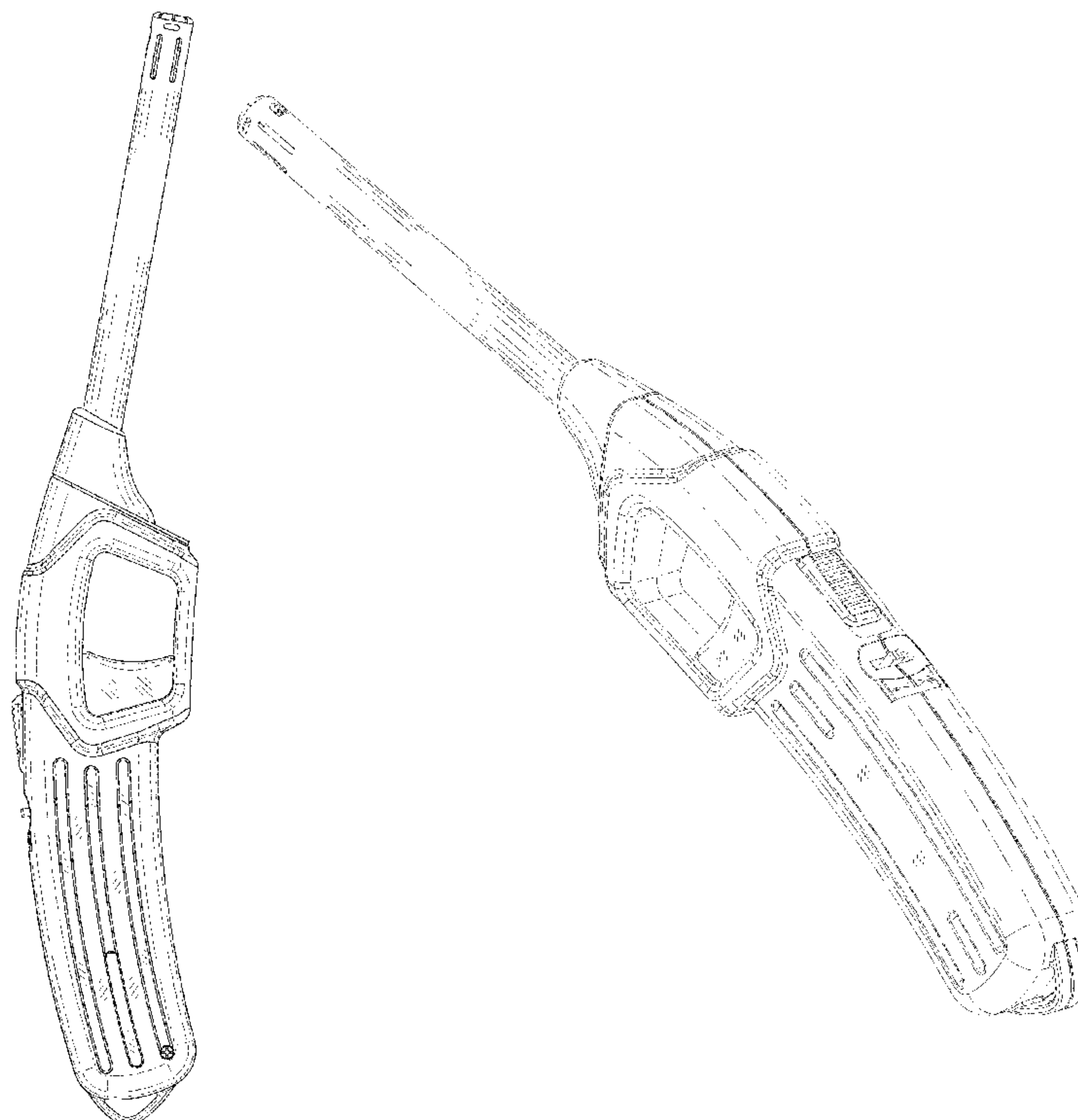
(57) **CLAIM**

The ornamental design for an igniter, as shown and described.

DESCRIPTION

FIG. 1 is a front elevation of an igniter showing my new design;
FIG. 2 is a rear elevation view thereof;
FIG. 3 is a left side elevation view thereof;
FIG. 4 is an enlarged detail from the circled portion of FIG. 3;
FIG. 5 is a right side elevation view thereof;
FIG. 6 is a top plan view thereof;
FIG. 7 is a bottom plan view thereof;
FIG. 8 is a front perspective view thereof;
FIG. 9 is an enlarged detail from the circled portion of FIG. 8;
and,
FIG. 10 is a rear perspective view thereof.

1 Claim, 5 Drawing Sheets



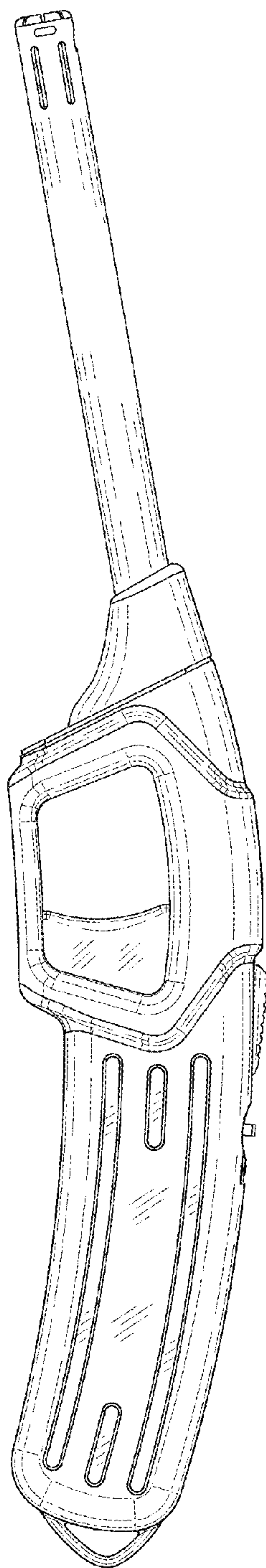


Fig. 1

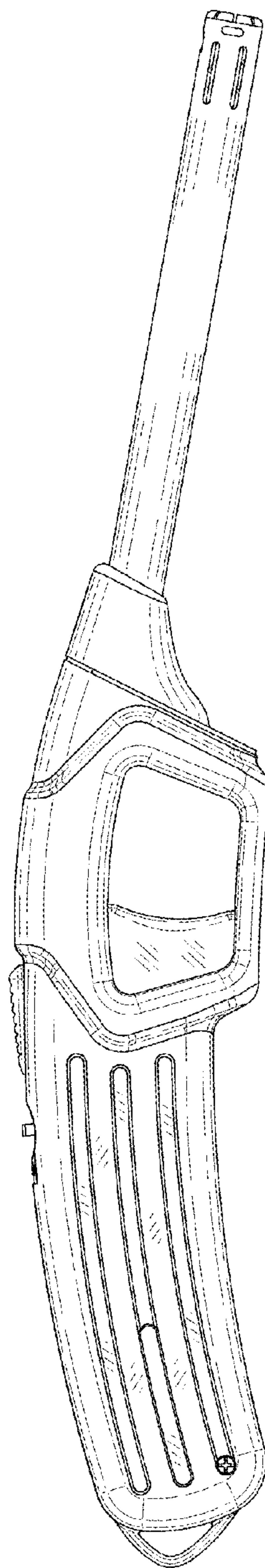


Fig. 2

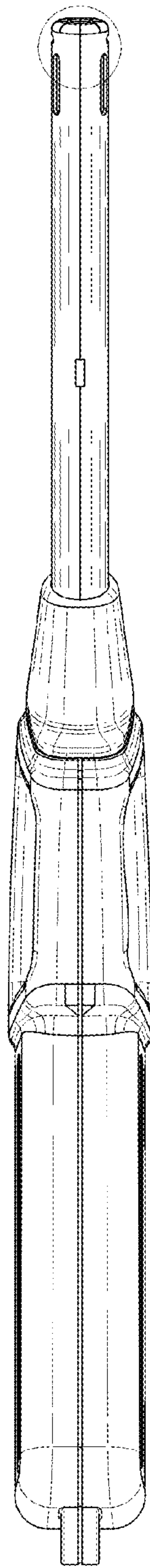


Fig. 3

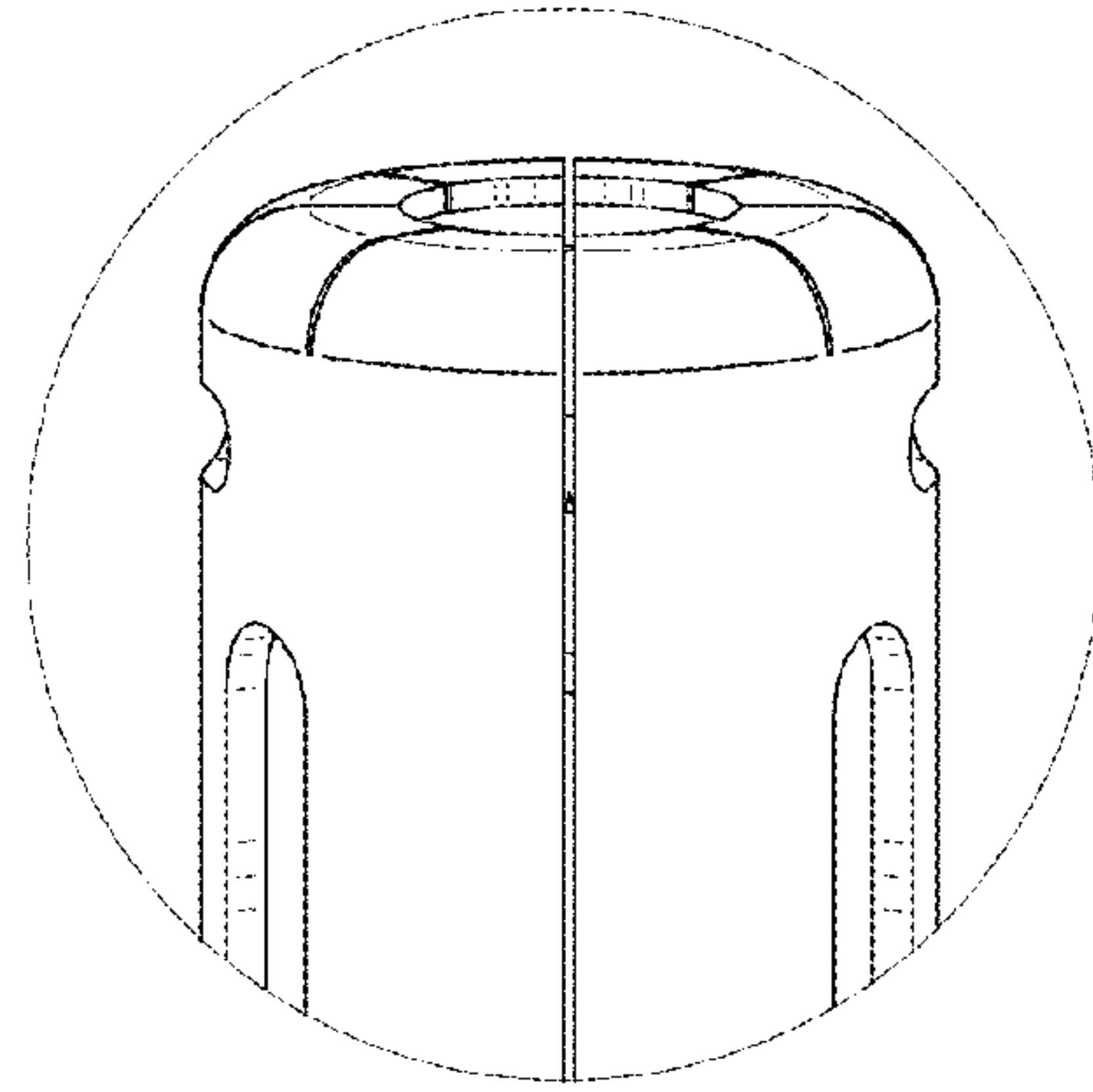


Fig. 4

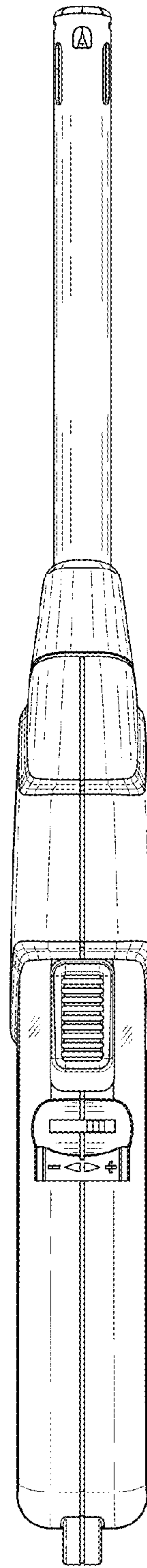


Fig. 5

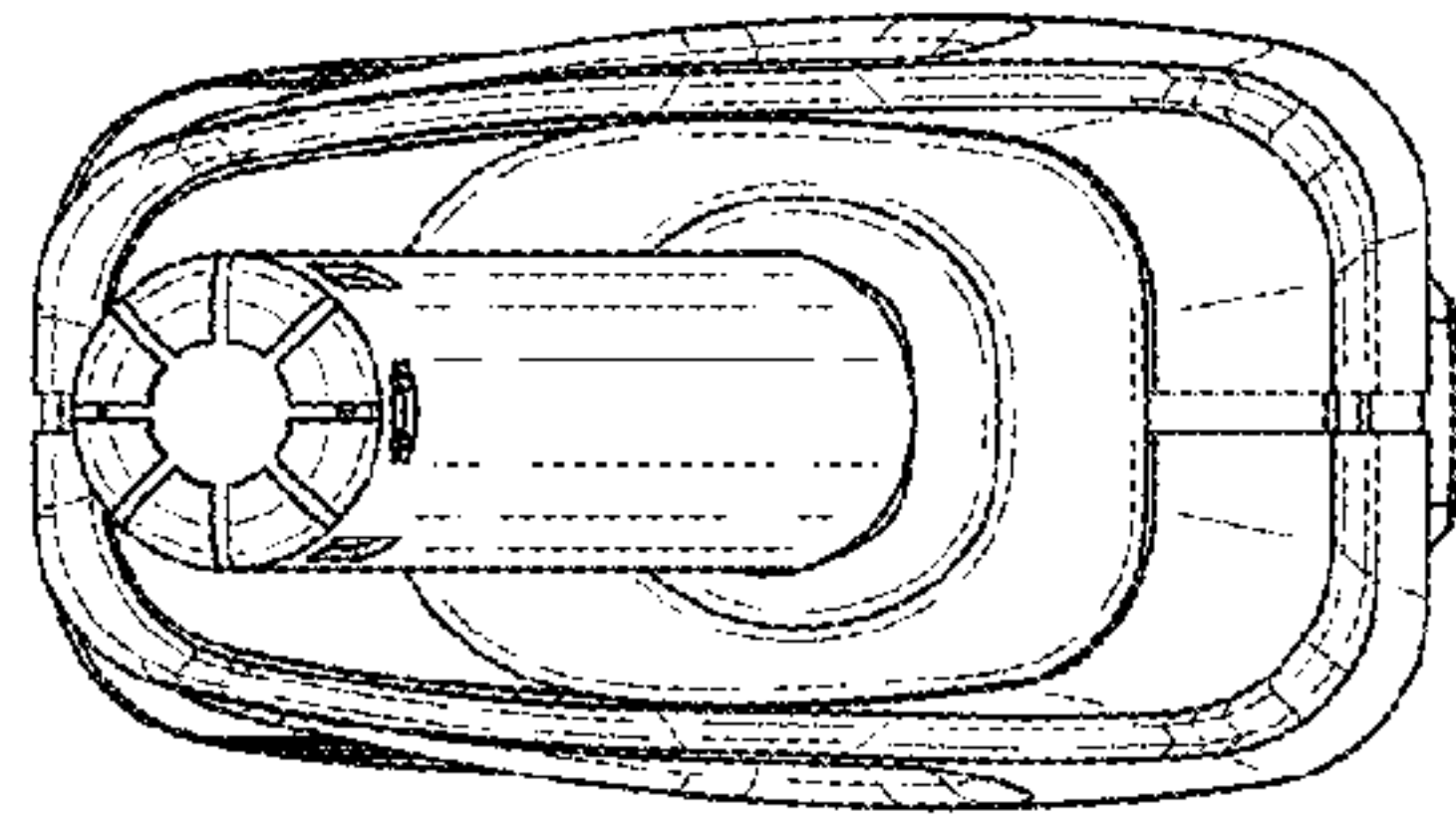


Fig. 6

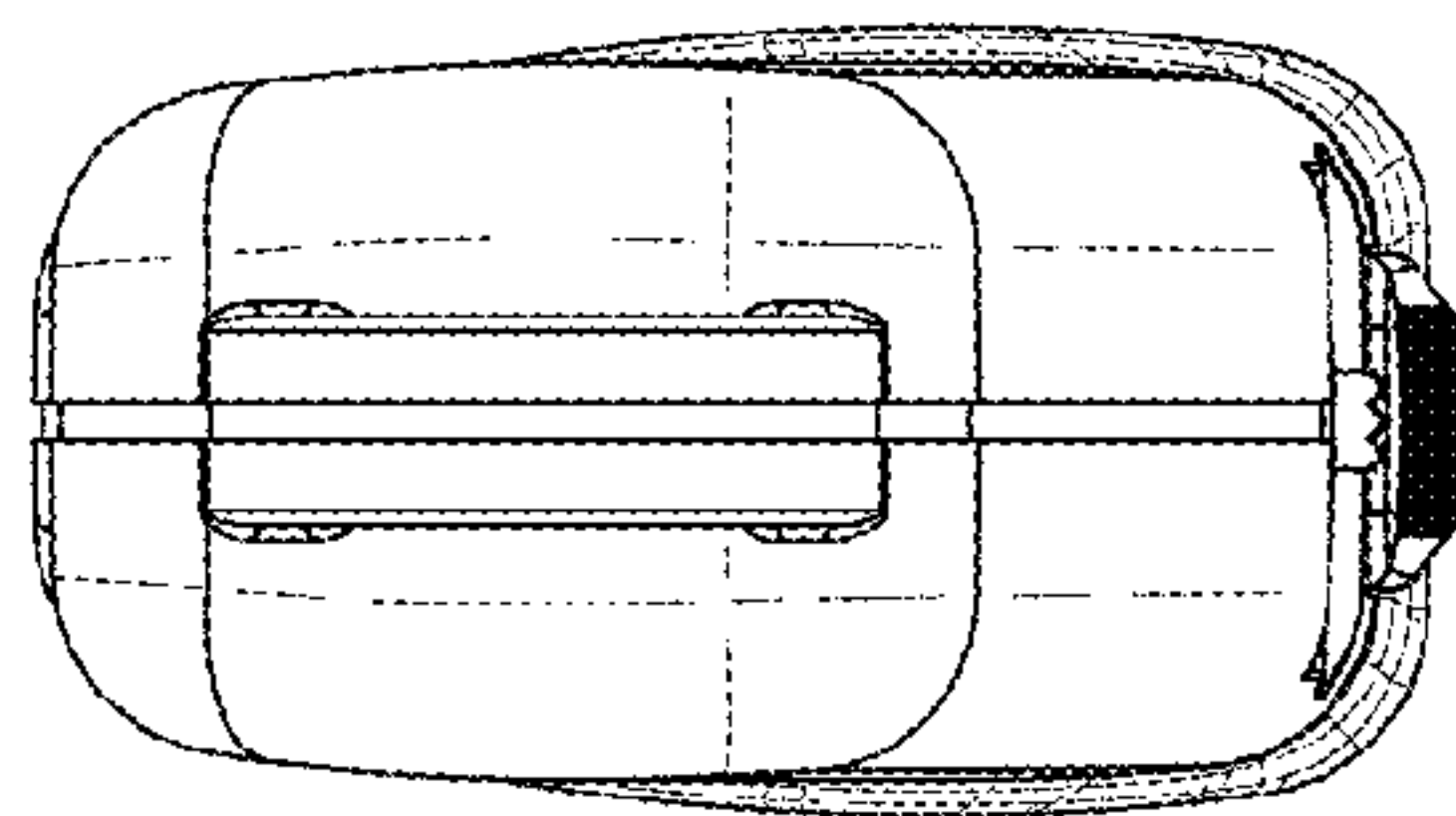


Fig. 7

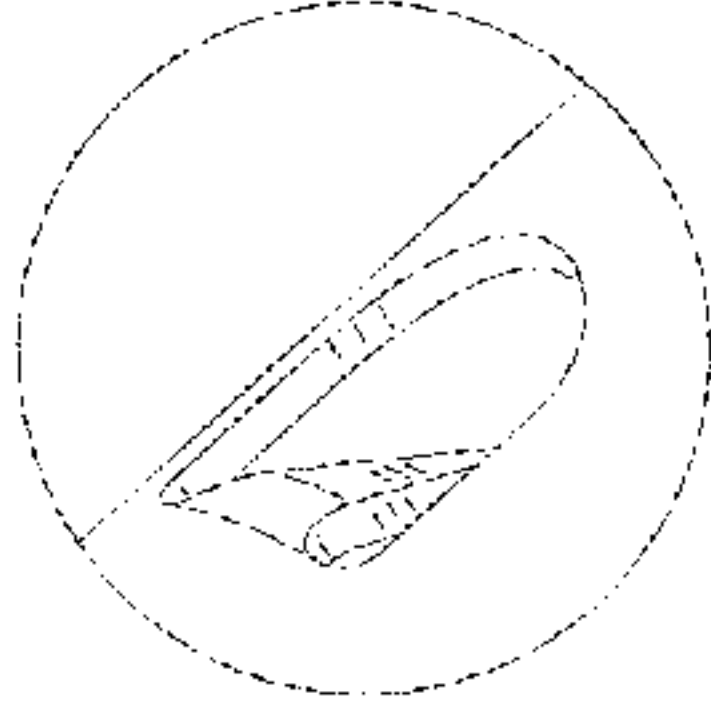
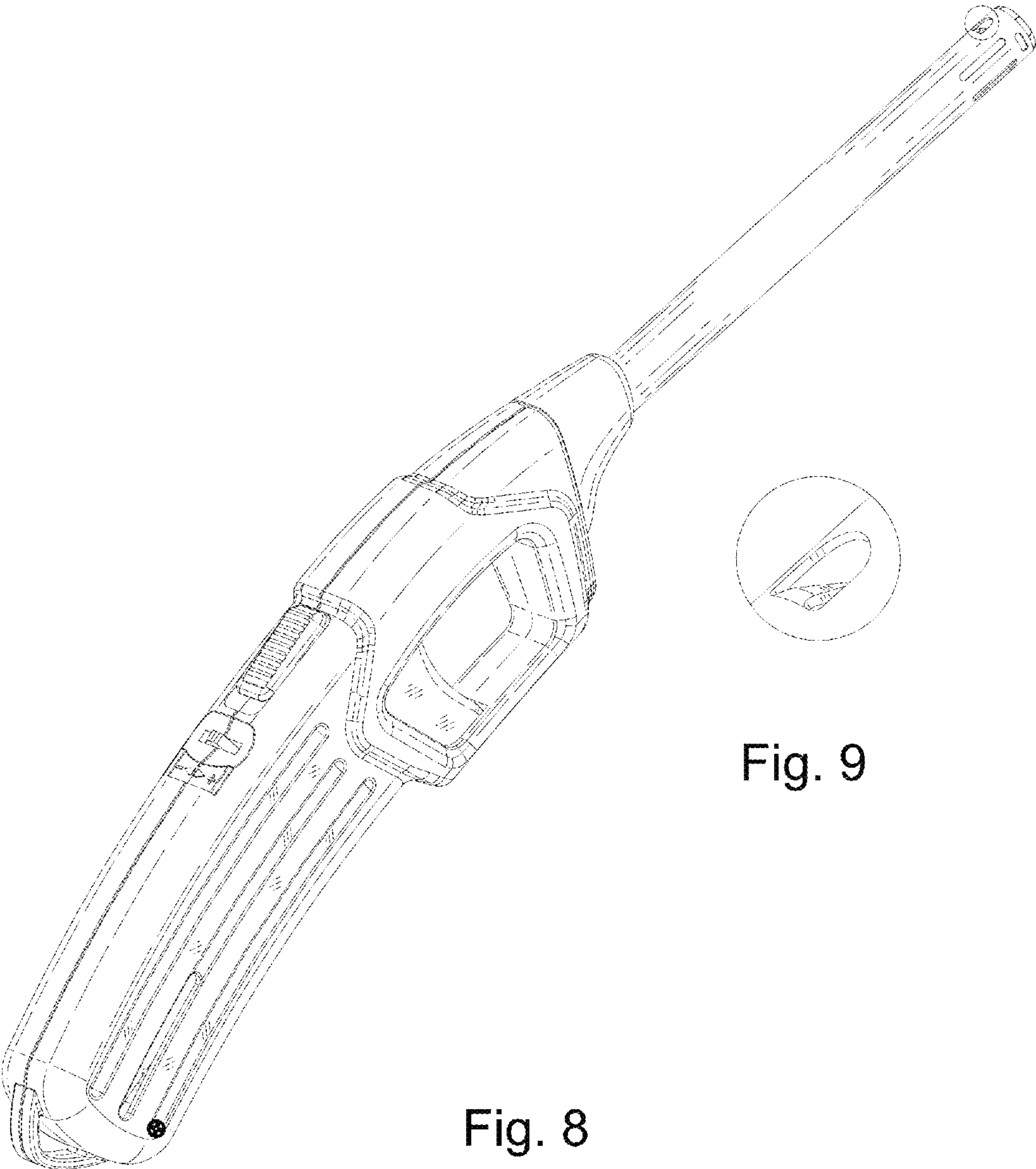


Fig. 9

Fig. 8

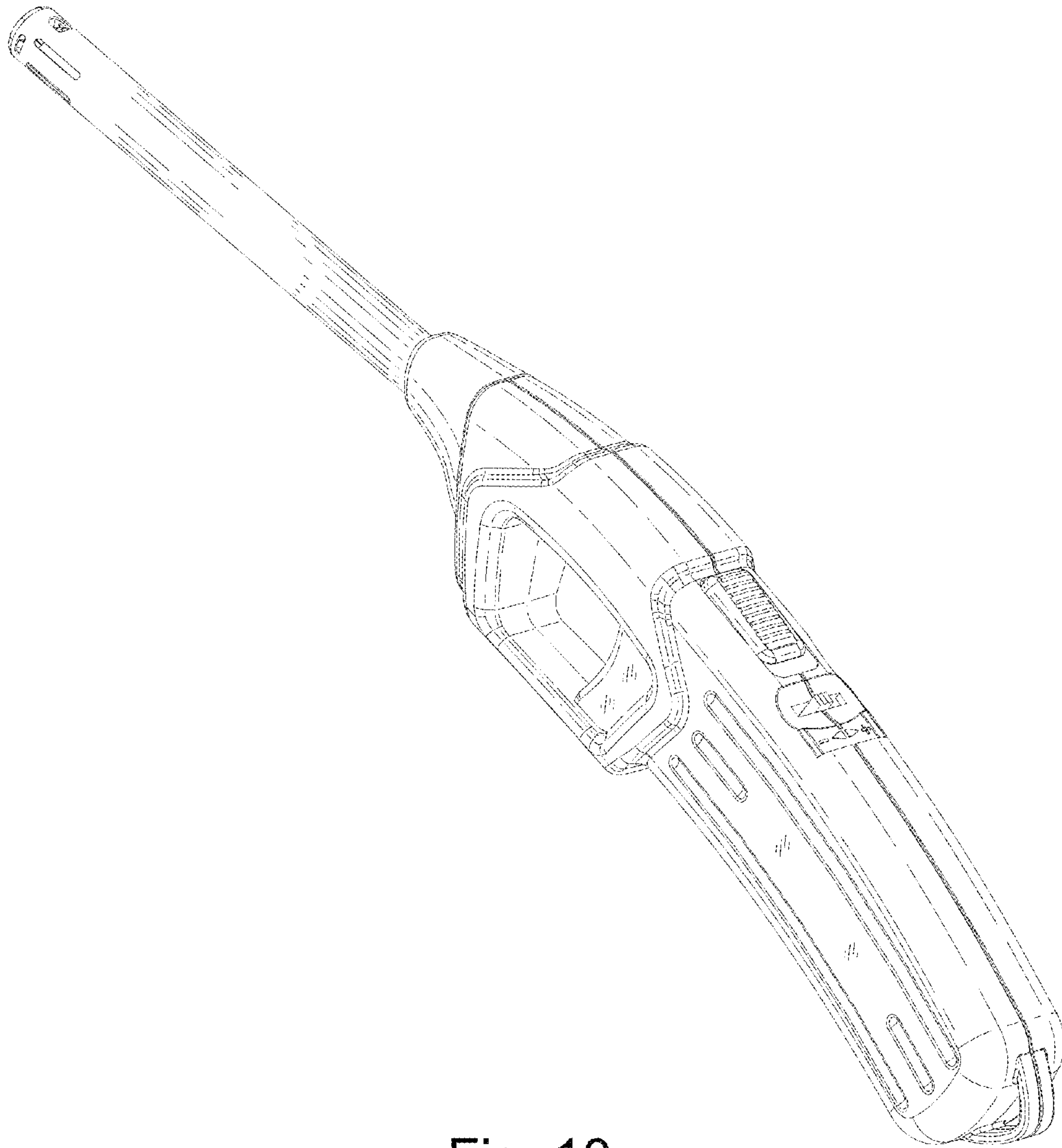


Fig. 10