



US00D729573S

(12) **United States Design Patent**  
**Moon et al.**

(10) **Patent No.:** **US D729,573 S**  
(45) **Date of Patent:** **\*\* May 19, 2015**

(54) **MIXER BLADE**

(71) Applicant: **NuWave, LLC**, Libertyville, IL (US)

(72) Inventors: **Jung Sik Moon**, Long Grove, IL (US);  
**Yuan Haizhong**, Ningbo (CN); **Eunjung Huh**, Gurnee, IL (US)

(73) Assignee: **NuWave, LLC**, Libertyville, IL (US)

(\*\*) Term: **14 Years**

(21) Appl. No.: **29/484,771**

(22) Filed: **Mar. 12, 2014**

(51) **LOC (10) Cl.** ..... **31-00**

(52) **U.S. Cl.**  
USPC ..... **D7/412**; D7/376; D7/378; D7/383;  
D7/384

(58) **Field of Classification Search**

CPC ..... A21C 1/02; A21C 1/04; A23N 1/00;  
A23N 1/02; A47J 43/04; A47J 43/25; A47J  
43/27; A47J 43/042; A47J 43/044; A47J  
43/046; A47J 43/07; A47J 43/075; A47J  
43/0722; A47J 43/0727; A47J 43/0777;  
B01F 3/00; B01F 3/0807; B01F 3/0853;  
B01F 13/0059; B01F 13/0064; B02C 1/08;  
B02C 2/04; B02C 4/42; B02C 4/142; B02C  
4/143; B02C 4/423; B02C 13/1835; B28C  
5/10; B28C 5/12; B28C 5/14; B28C 5/16  
USPC ..... D7/372, 376–386, 412–413, 602, 629,  
D7/665–666, 669, 679, 693–694;  
D23/200; 99/348, 509–511; 241/92,  
241/98, 101.01–101.2, 166–169.1, 199.12,  
241/274–278.2, 282.1, 285.1–285.3, 291,  
241/292.1; 366/64–65, 97–98, 100, 130,  
366/197–201, 205–207, 219–220, 341–343

See application file for complete search history.

(56) **References Cited**

U.S. PATENT DOCUMENTS

3,461,933	A *	8/1969	Mantelet	.....	241/199.12
4,733,827	A *	3/1988	Williams	.....	241/101.2
D320,326	S	10/1991	Barrault		
D320,717	S	10/1991	O'Brien		
D339,716	S	9/1993	Barrault		
D366,595	S	1/1996	Dobson et al.		
D372,835	S	8/1996	Leverrier		
D390,745	S	2/1998	Leverrier		
D421,201	S *	2/2000	Crescenzi et al.	.....	D7/412
D421,546	S *	3/2000	Ekstrom	.....	D7/412
D432,621	S *	10/2000	Etschel et al.	.....	D23/200
6,532,863	B1 *	3/2003	Lee	.....	99/348
D499,303	S *	12/2004	Huang	.....	D7/412
D501,628	S *	2/2005	Feil	.....	D7/412
7,419,111	B2 *	9/2008	Gursel	.....	241/282.1
7,581,688	B2	9/2009	Mally		
D604,101	S *	11/2009	Sands	.....	D7/412

(Continued)

*Primary Examiner* — Ricky Pham

(74) *Attorney, Agent, or Firm* — Jeffrey M. Cikalo; AT Firm PLLC; Ralph P. Albrecht

(57) **CLAIM**

We claim the ornamental design for this mixer blade, as shown and described.

**DESCRIPTION**

FIG. 1 is an isometric view **100** of a mixer blade according to an exemplary embodiment of the present invention.

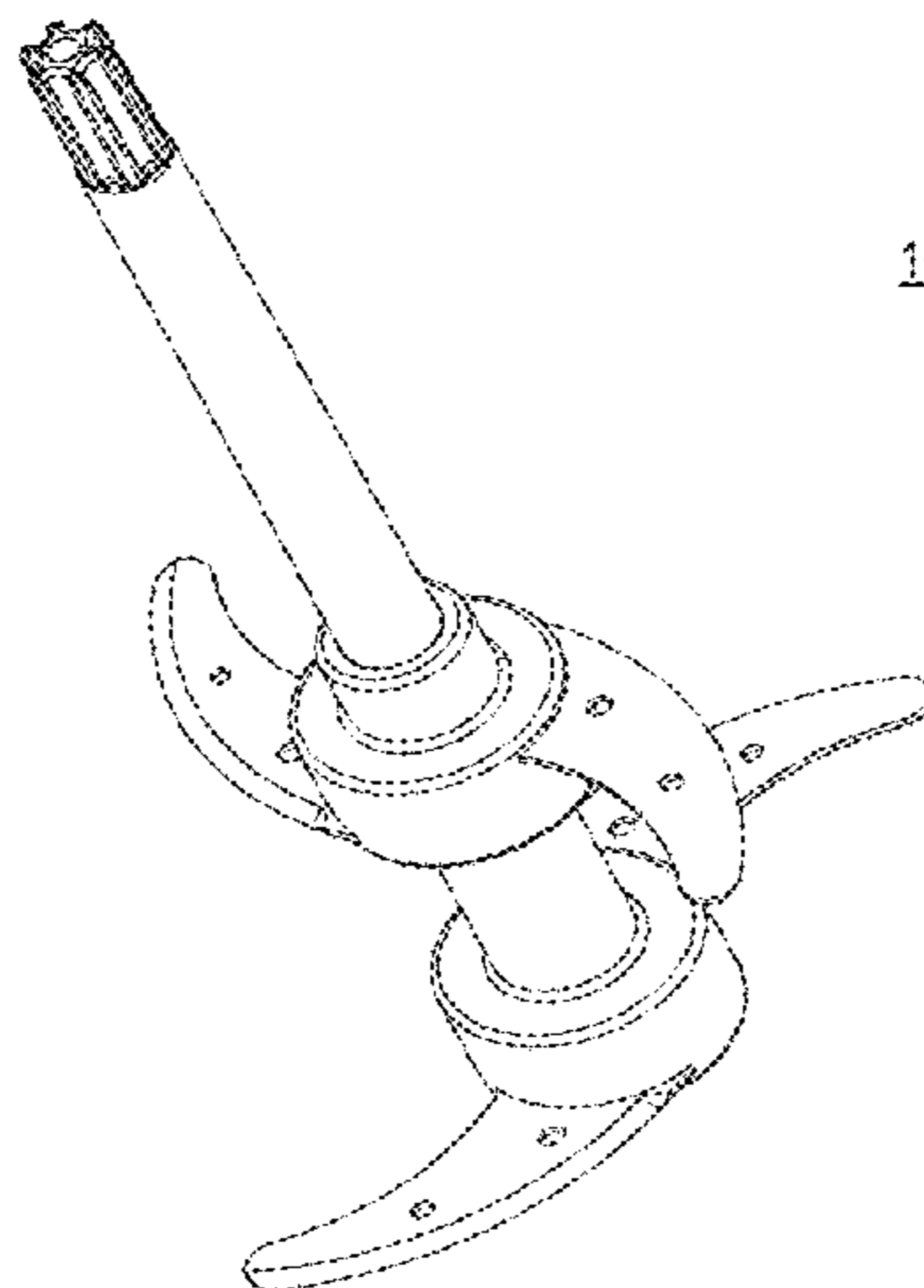
FIG. 2 is a bottom view **200** of a blade bit of the mixer blade according to an exemplary embodiment of the present invention.

FIG. 3 is a side view **300** of the mixer blade according to an exemplary embodiment of the present invention.

FIG. 4 is a side view **400** of the mixer blade orthogonal to view 300 according to an exemplary embodiment of the present invention; and,

FIG. 5 is a top view **500** of the blade bit end of the mixer blade according to an exemplary embodiment of the present invention.

**1 Claim, 3 Drawing Sheets**



100

(56)

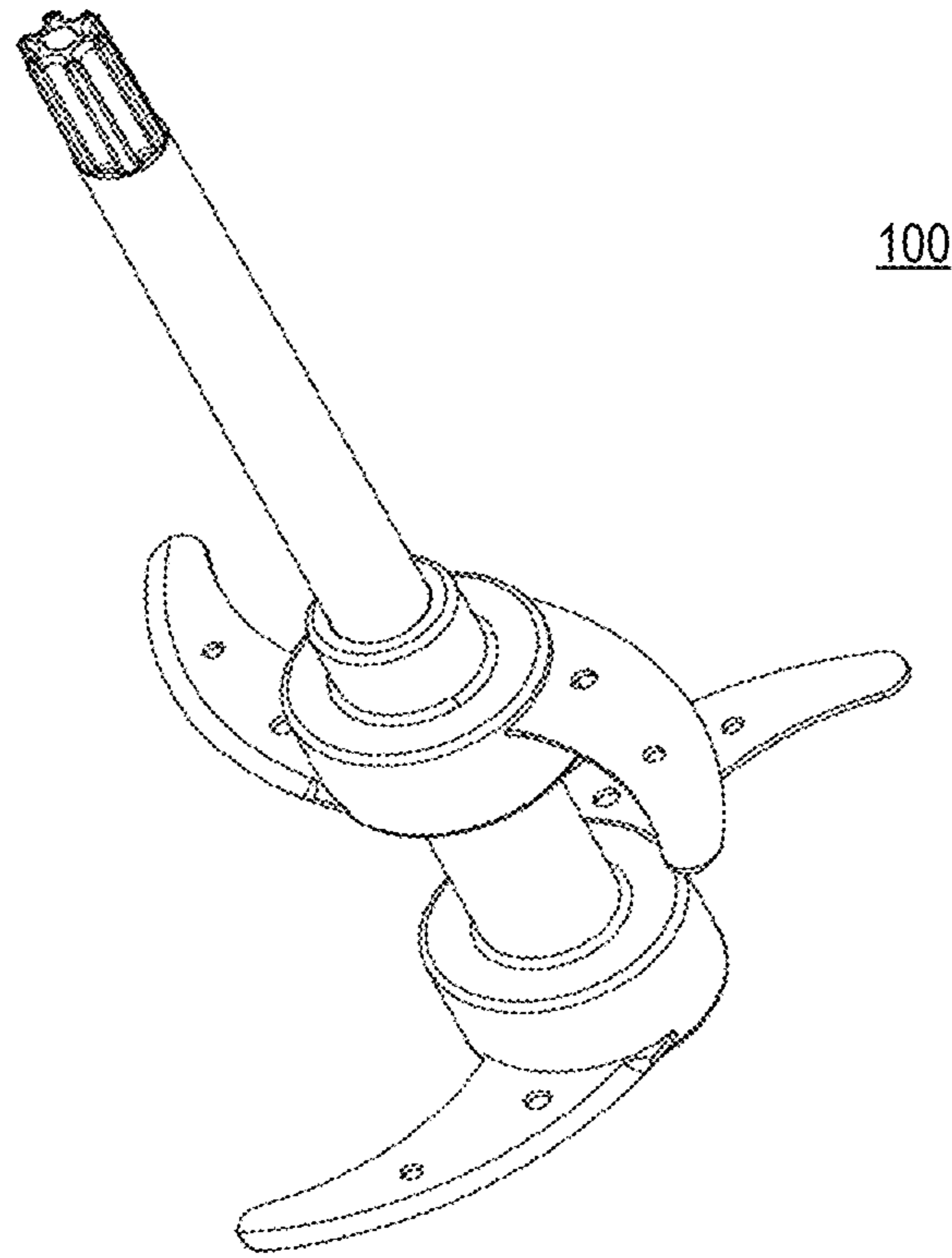
**References Cited**

U.S. PATENT DOCUMENTS

7,677,485 B2 3/2010 Gursel  
 D622,095 S \* 8/2010 Metaxatos et al. .... D7/383  
 D623,890 S 9/2010 Metaxatos et al.  
 D647,364 S 10/2011 Audette et al.  
 D647,365 S 10/2011 Audette et al.  
 D663,586 S 7/2012 Audette  
 D668,115 S \* 10/2012 Potter ..... D7/412  
 D682,030 S \* 5/2013 Ezechukwu ..... D7/412  
 D684,817 S \* 6/2013 Leavitt ..... D7/412

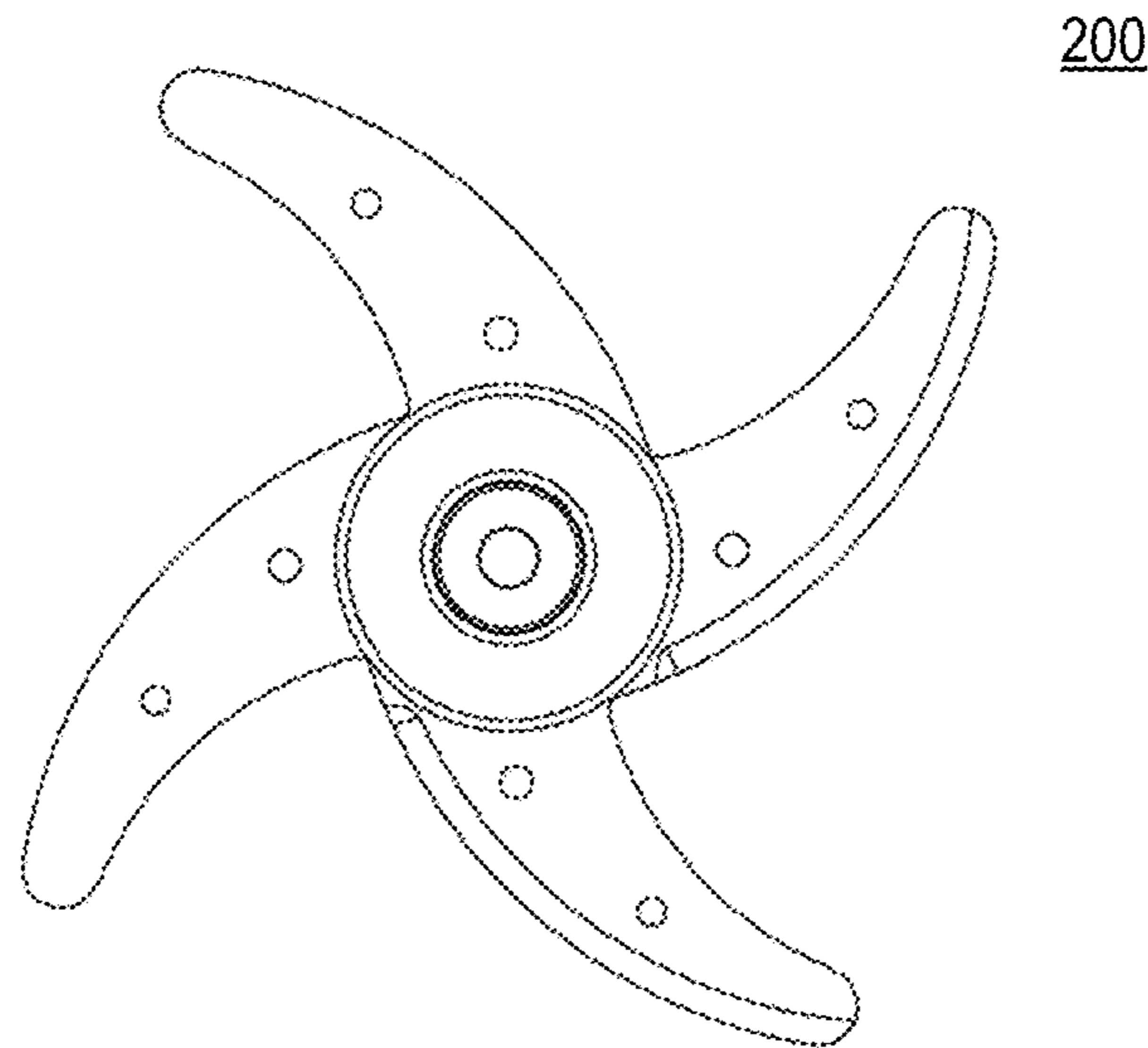
D696,070 S \* 12/2013 Audette ..... D7/412  
 D700,013 S \* 2/2014 Chu ..... D7/412  
 D702,085 S \* 4/2014 Audette ..... D7/412  
 8,702,300 B2 \* 4/2014 Audette ..... 366/205  
 8,721,164 B2 \* 5/2014 Audette ..... 366/205  
 D706,581 S \* 6/2014 Pendleton et al. .... D7/412  
 D708,902 S \* 7/2014 Audette ..... D7/412  
 D709,324 S \* 7/2014 Guo et al. .... D7/412  
 D709,325 S \* 7/2014 Guo et al. .... D7/412  
 2008/0198691 A1 \* 8/2008 Behar et al. .... 366/205  
 2012/0091245 A1 \* 4/2012 Menashes ..... 241/282.1

\* cited by examiner



100

FIG. 1



200

FIG. 2

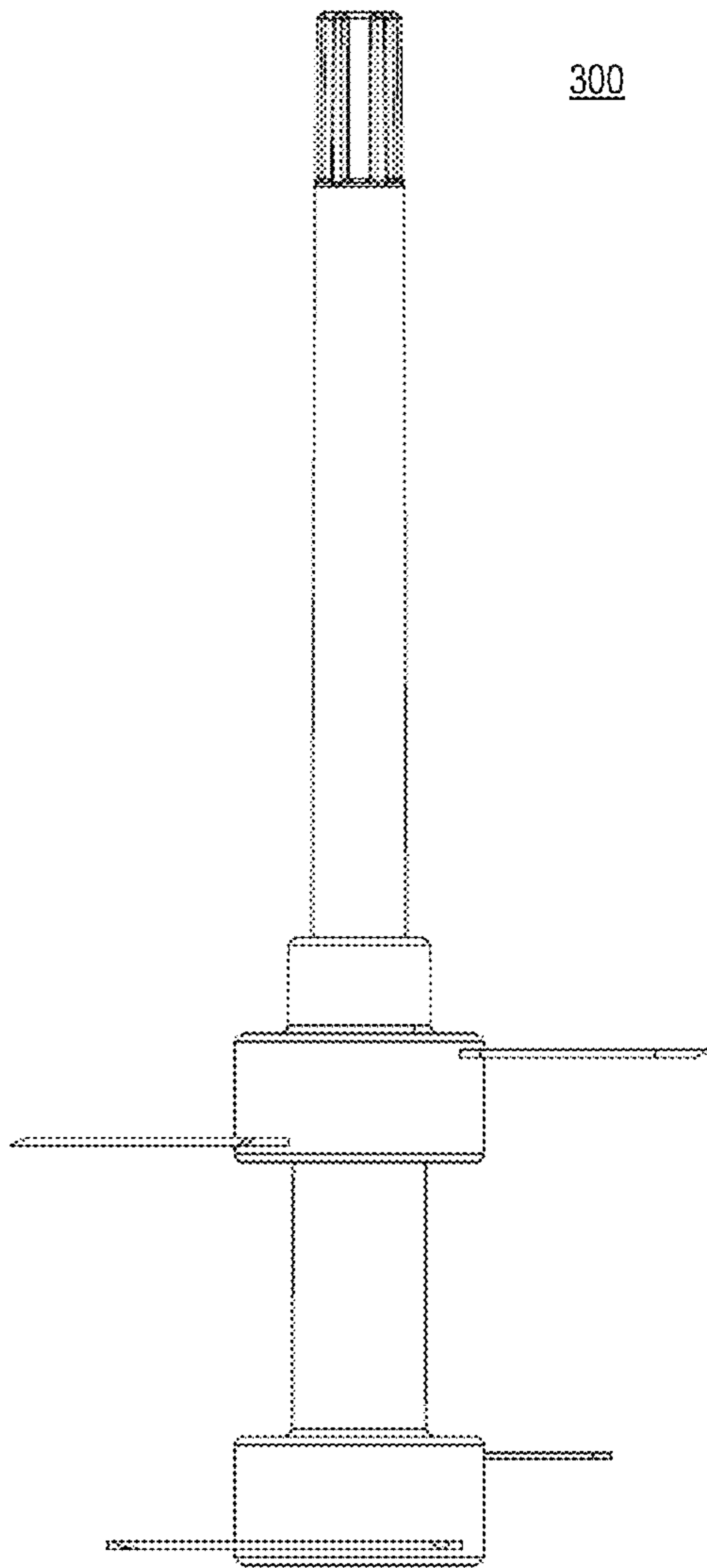


FIG. 3

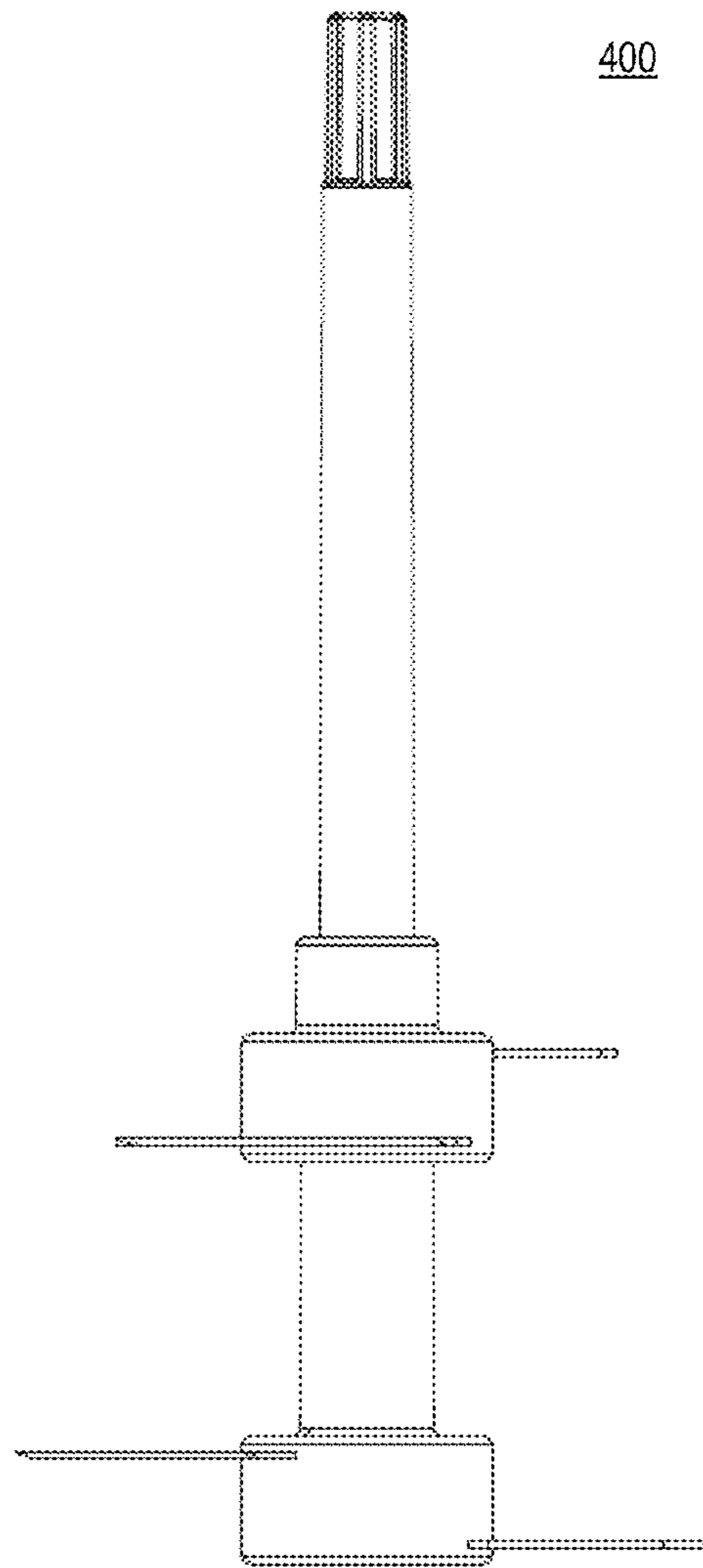
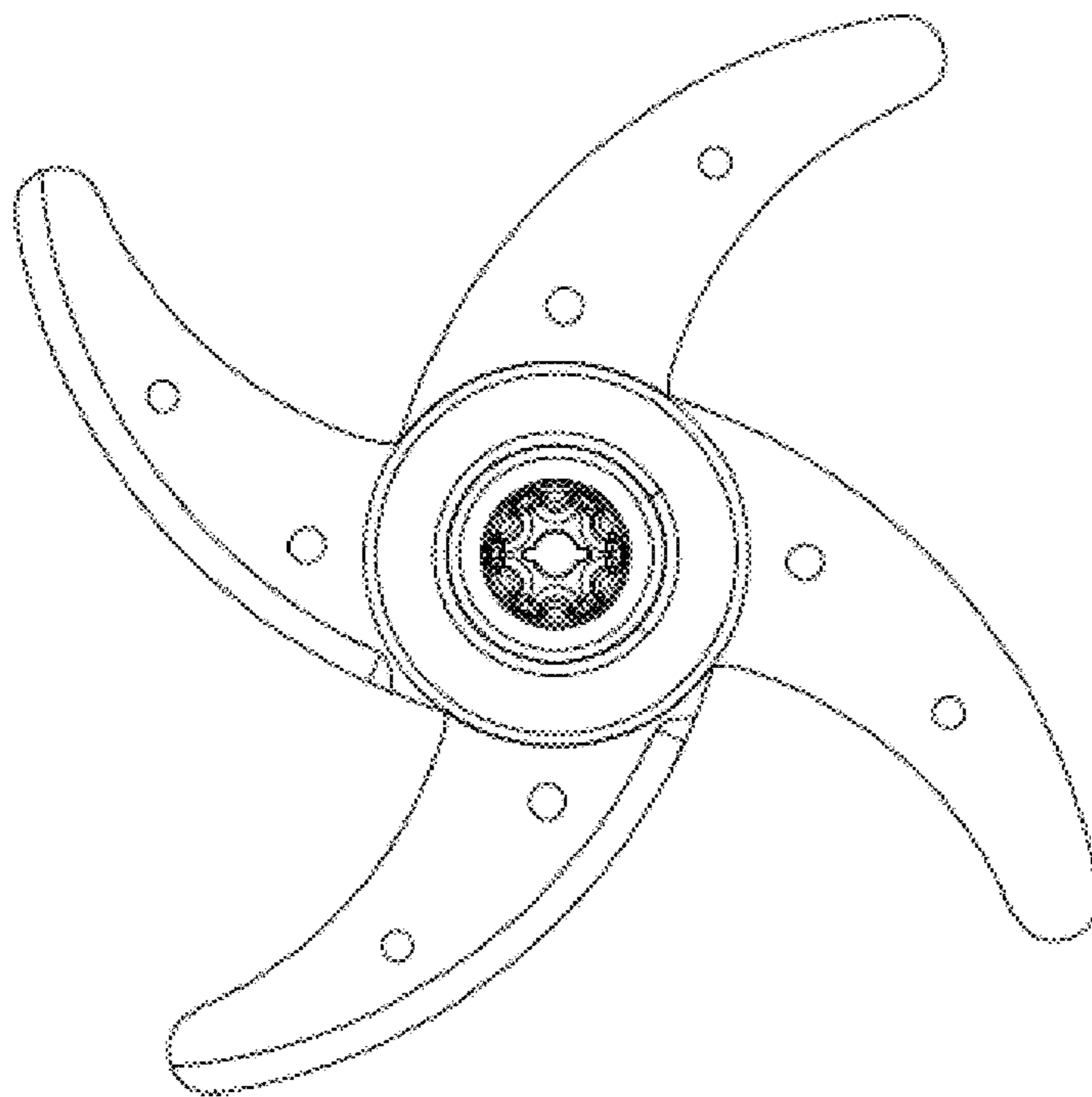


FIG. 4



500

FIG. 5