

US00D729572S

(12) **United States Design Patent**
Moran

(10) **Patent No.:** **US D729,572 S**
(45) **Date of Patent:** **** May 19, 2015**

(54) **HEIGHT ADJUSTMENT ATTACHMENT FOR A GRILL GRATE**

(71) Applicant: **John Moran**, Danbury, CT (US)

(72) Inventor: **John Moran**, Danbury, CT (US)

(**) Term: **14 Years**

(21) Appl. No.: **29/477,746**

(22) Filed: **Dec. 26, 2013**

Related U.S. Application Data

(63) Continuation of application No. 12/973,974, filed on Dec. 21, 2010, now abandoned.

(51) **LOC (10) Cl.** **07-02**

(52) **U.S. Cl.**
USPC **D7/402**

(58) **Field of Classification Search**

CPC A47J 37/07-37/079; A47J 2037/0777
USPC D7/332, 334-337, 402-406; 126/25 R, 126/25 A, 25 AA, 37 R, 41 R, 41 A, 40, 39 M, 126/50, 214 D, 289, 285 R, 505, 506, 276, 126/312, 29-30, 154, 337 A, 83, 275 R, 9 R, 126/39 E, 39 K, 39 J, 39 N, 41 B, 42, 215; D8/380-381, 373, 354; 248/354.6, 248/354.4, 354.5, 354.1, 207, 213.2, 248/220.21, 309.1, 311.2, 316.1, 243, 247; 99/393, 402; D21/541, 549, 550, 548; D34/16

See application file for complete search history.

(56) **References Cited**

U.S. PATENT DOCUMENTS

4,382,432 A 5/1983 Lizdas
4,584,984 A 4/1986 Croft
4,632,347 A * 12/1986 Jurgich 248/213.2

D291,648 S * 9/1987 Pring D7/403
4,765,575 A * 8/1988 Bergl et al. 248/250
D301,673 S * 6/1989 Ogden D7/402
D302,240 S * 7/1989 Zell D8/381
4,895,130 A 1/1990 Staschke
D317,239 S * 6/1991 Croft D7/402
D336,593 S * 6/1993 Yeuan D7/402
5,323,758 A * 6/1994 Minshall et al. 126/25 R
D396,169 S * 7/1998 Williamson D7/402
6,176,232 B1 * 1/2001 Corcoran 126/25 R
6,357,435 B1 * 3/2002 Van Hook 126/25 R
6,705,306 B1 * 3/2004 Dickey 126/25 R
6,895,958 B1 5/2005 Komosky
D594,275 S * 6/2009 Wyocik D7/402
D611,299 S * 3/2010 Woycik D7/402
D618,504 S * 6/2010 Boychak et al. D7/402
D662,805 S * 7/2012 Macdonald et al. D8/373
D679,172 S * 4/2013 Dixon D8/354
2007/0006866 A1 * 1/2007 O'Niell 126/25 R
2007/0044785 A1 * 3/2007 Malafouris 126/25 R
2007/0113837 A1 * 5/2007 Liu 126/25 R

* cited by examiner

Primary Examiner — Ruth McInroy

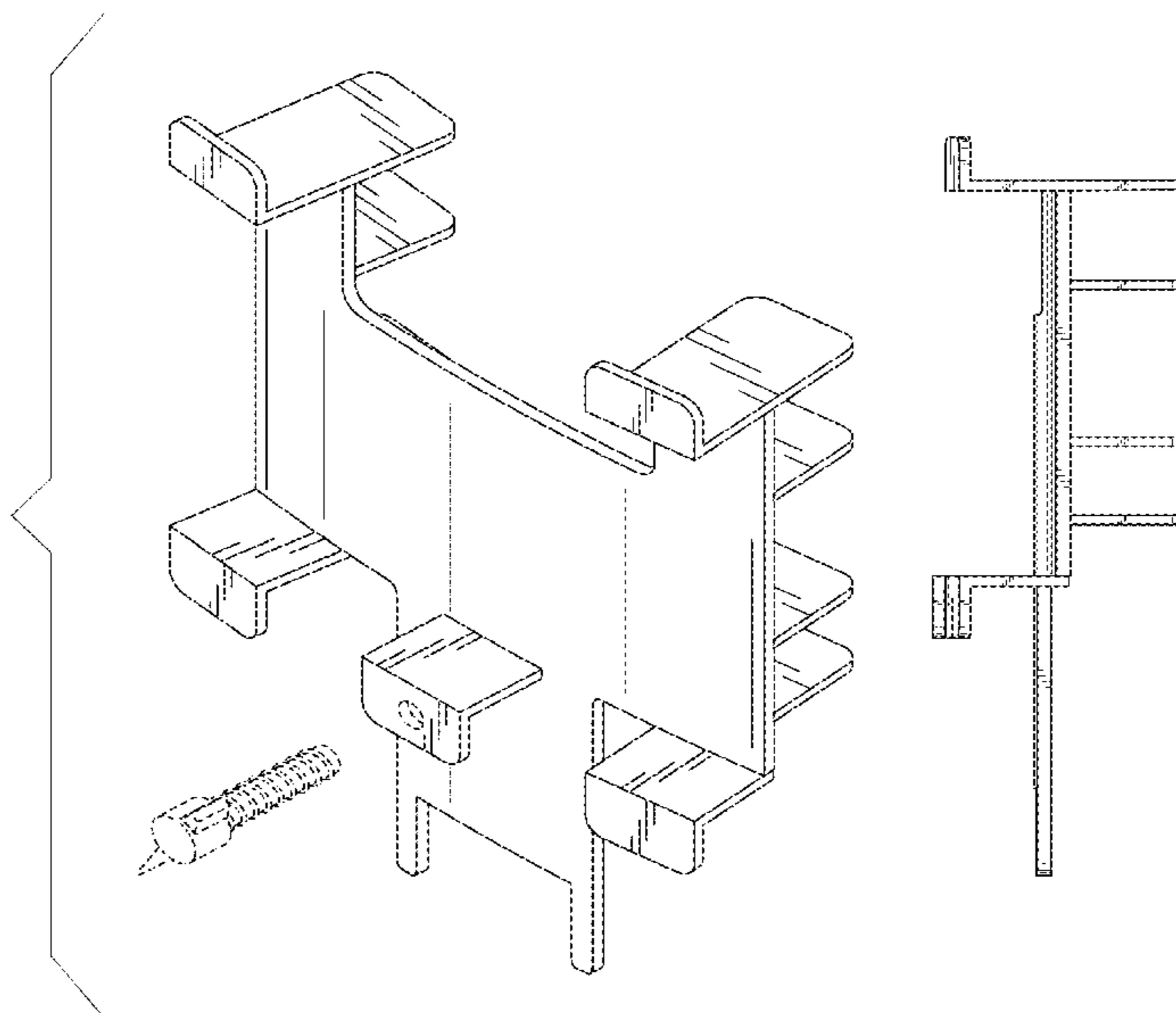
(57) **CLAIM**

The ornamental design for a height adjustment attachment for a grill grate, as shown and described.

DESCRIPTION

FIG. 1 is a perspective view of a height adjustment attachment for a grill grate showing my new design;
FIG. 2 is a front view thereof;
FIG. 3 is a rear view thereof;
FIG. 4 is a left side view thereof;
FIG. 5 is a right side view thereof;
FIG. 6 is a top plan view thereof; and,
FIG. 7 is a bottom plan view thereof.
The details shown in broken lines form no part of the claimed design.

1 Claim, 7 Drawing Sheets



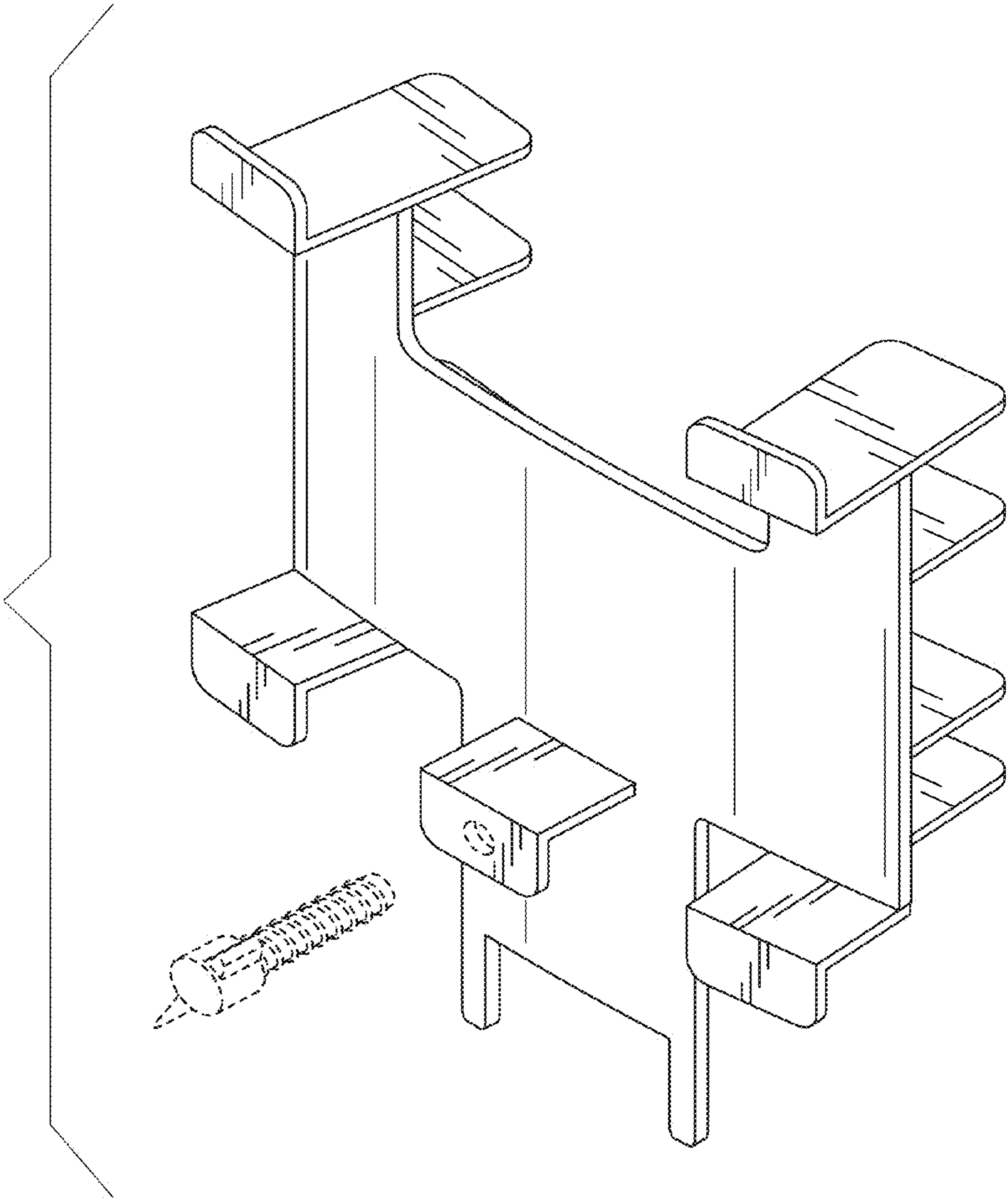


Fig. 1

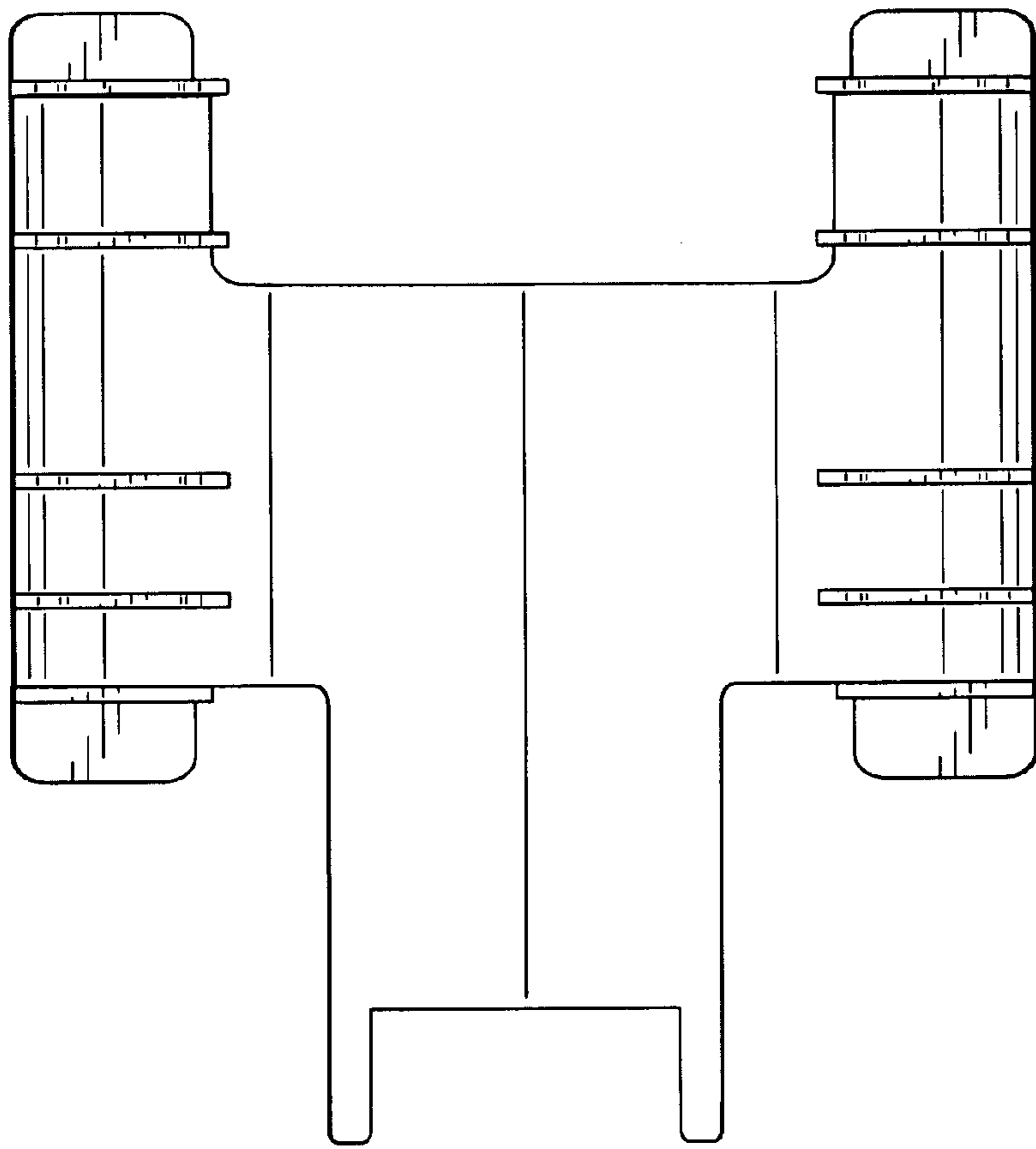


Fig. 2

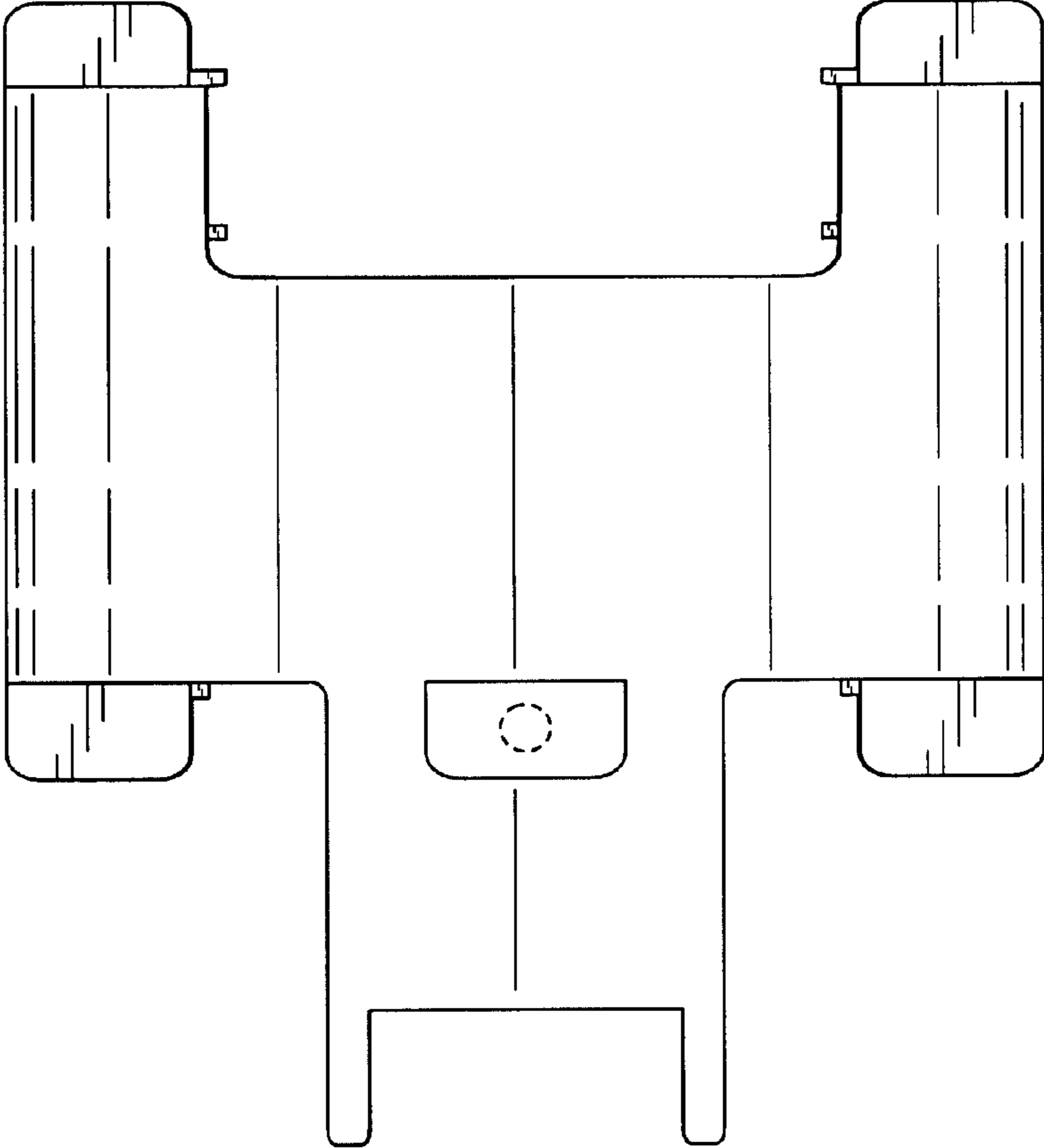


Fig. 3

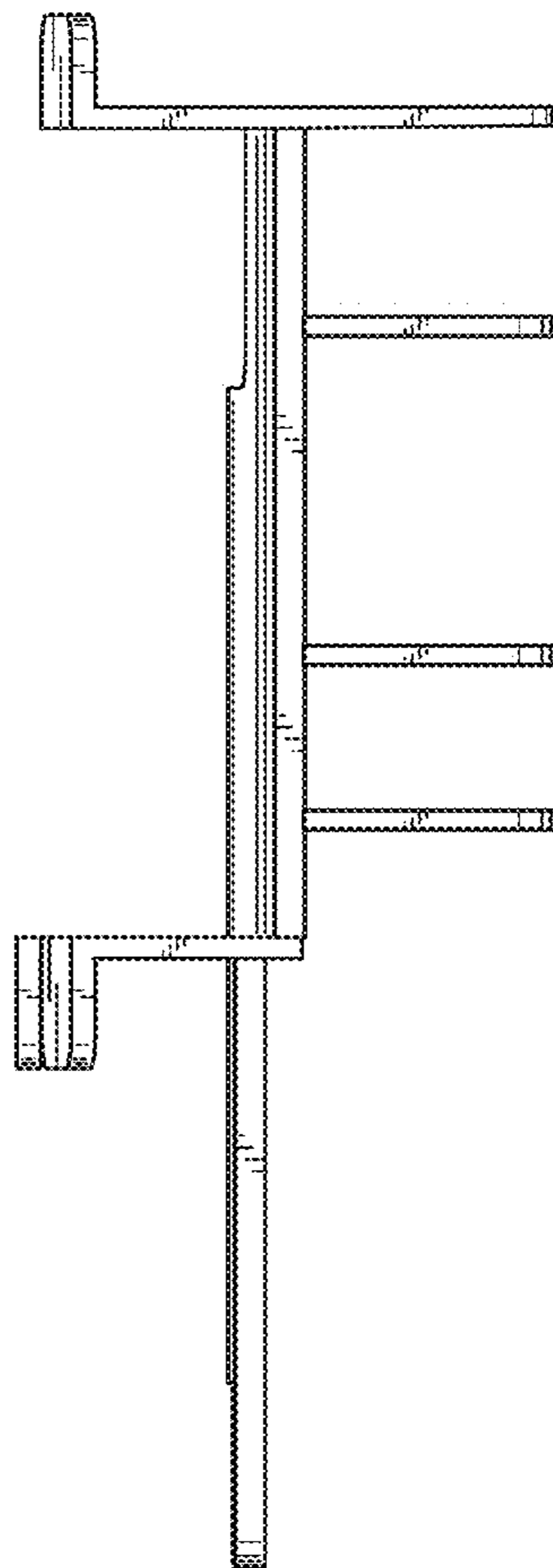


Fig. 4

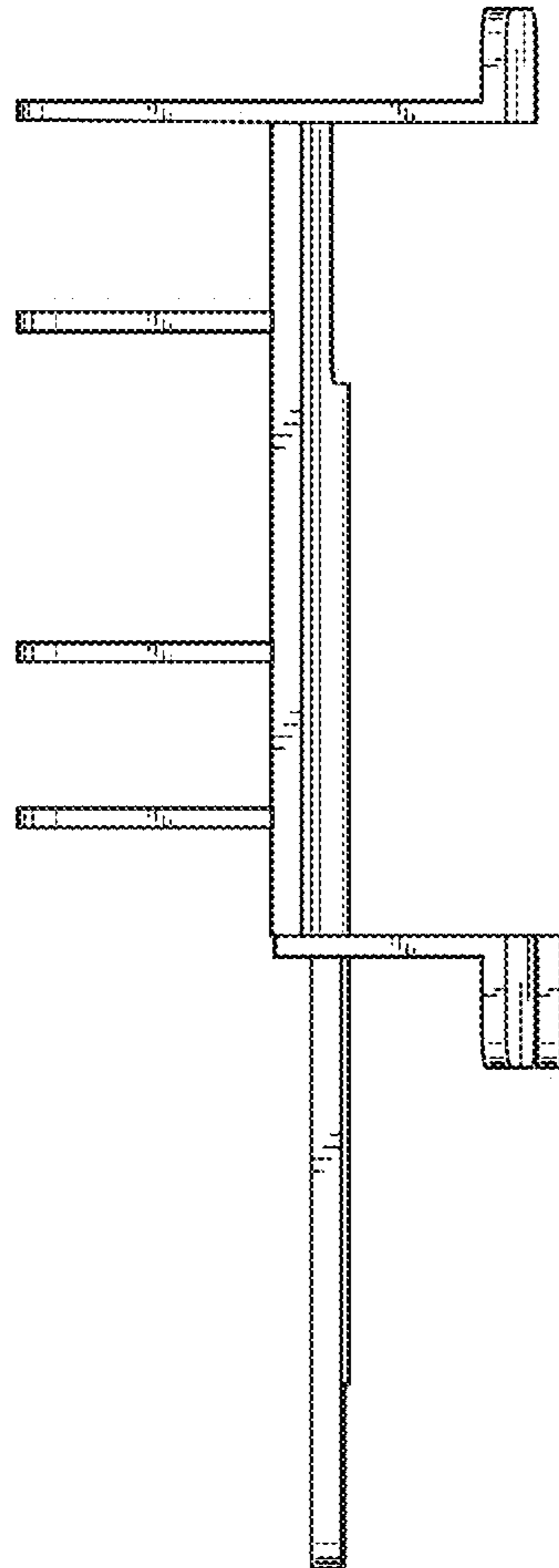


Fig. 5

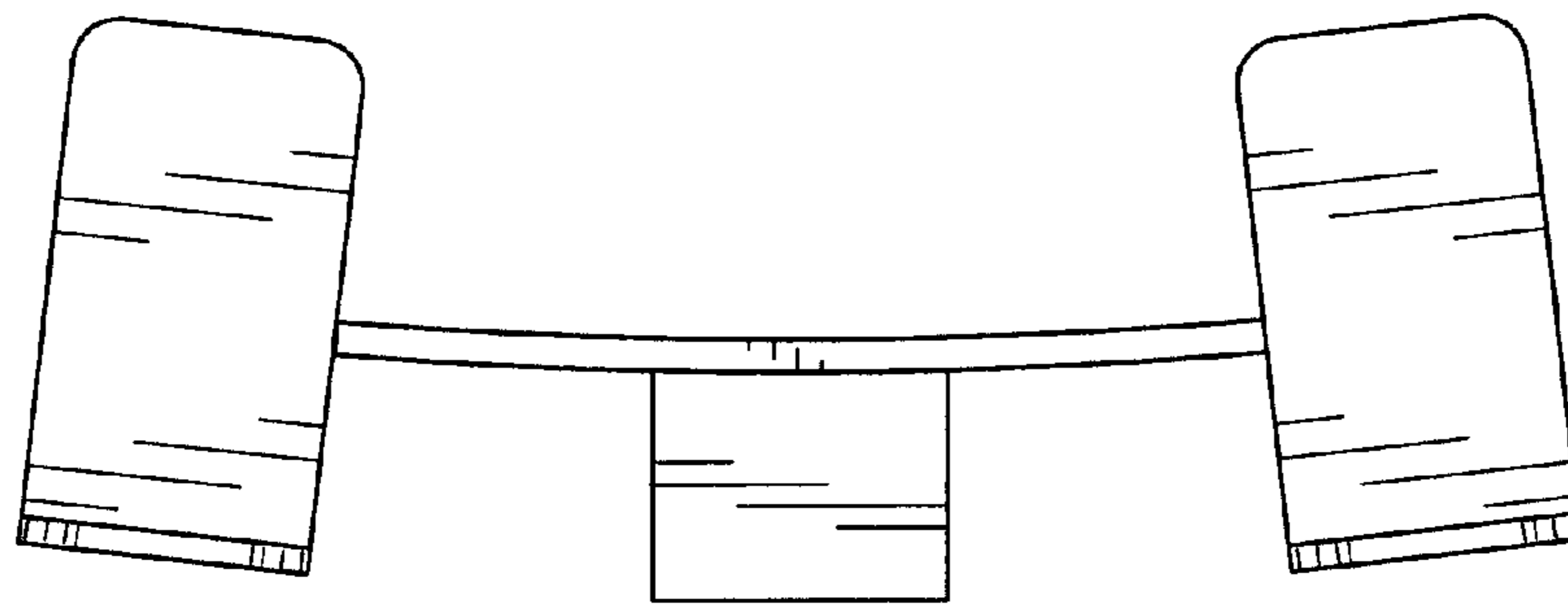


Fig. 6

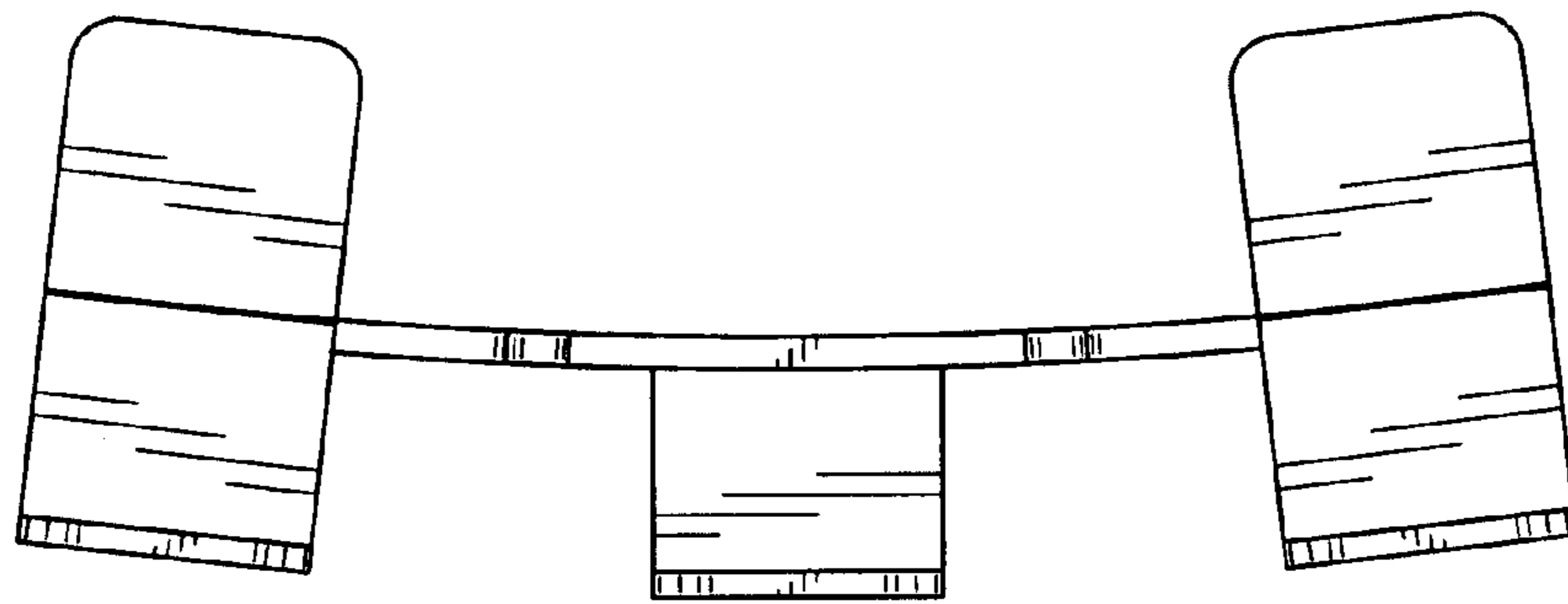


Fig. 7