



US00D729569S

(12) **United States Design Patent**
Herbst et al.

(10) **Patent No.:** **US D729,569 S**

(45) **Date of Patent:** **** May 19, 2015**

(54) **DRINKING AND MISTING BOTTLE WITH DRINKING SPOUT**

(71) Applicants: **Scot Herbst**, Santa Cruz, CA (US);
Qiang Zeng, Shenzhen (CN)

(72) Inventors: **Scot Herbst**, Santa Cruz, CA (US);
Qiang Zeng, Shenzhen (CN)

(73) Assignee: **O2Cool, LLC**, Chicago, IL (US)

(**) Term: **14 Years**

(21) Appl. No.: **29/494,340**

(22) Filed: **Jun. 19, 2014**

(51) **LOC (10) Cl.** **07-01**

(52) **U.S. Cl.**
USPC **D7/392**; D7/510; D7/511; D7/507;
D7/900; D9/448

(58) **Field of Classification Search**
CPC A47G 2019/2238; A47G 19/2216;
A47G 19/22; A47G 19/2211; B65D 1/0223;
B65D 3/08; B65D 81/32; B65D 1/02; B65D
90/00; B65D 1/04; B65D 25/08; B65D 43/02;
B65D 51/18; B65G 45/16
USPC D7/509–520, 523, 524, 525, 532, 533,
D7/534, 535, 536, 538, 560, 584, 300.2,
D7/304, 305, 600, 619.1, 326, 393, 396.1,
D7/396.2, 417, 900, 650, 300, 300.1, 705,
D7/387, 400, 213, 392; D9/739, 501–507,
D9/516, 517, 518, 519, 522, 523, 525, 526,
D9/529, 530–542, 454, 547, 549, 554, 559,
D9/571, 572, 435, 436, 440, 442, 443, 445,
D9/651, 905, 449, 685, 448, 719, 447;
D24/197, 121, 199, 224; 220/713, 715,
220/703, 254.9, 262, 630, 710, 705, 213;
206/216, 217, 503; D23/209, 213, 328,
D23/314; 222/207, 325

See application file for complete search history.

(56) **References Cited**

U.S. PATENT DOCUMENTS

D539,142	S	*	3/2007	Butler et al.	D9/448
D547,607	S	*	7/2007	Forsman	D7/396.2
D584,566	S	*	1/2009	Fuller	D7/396.2
D586,184	S	*	2/2009	Miller et al.	D7/511
D626,837	S	*	11/2010	Meyers et al.	D9/443
D626,838	S	*	11/2010	Meyers et al.	D9/443
D652,256	S	*	1/2012	Eyal	D7/510
D653,081	S	*	1/2012	George	D7/510
D653,082	S	*	1/2012	George	D7/510
D657,618	S	*	4/2012	Wahl	D7/392.1
D676,536	S	*	2/2013	Roach et al.	D23/328
D682,034	S	*	5/2013	El-Saden et al.	D7/510
D685,606	S	*	7/2013	Keys et al.	D7/392.1
8,602,238	B2	*	12/2013	El-Saden et al.	215/389
D700,012	S	*	2/2014	Hurley et al.	D7/392.1
D700,014	S	*	2/2014	Zeanah	D7/510
D700,515	S	*	3/2014	Herbst	D9/448

(Continued)

Primary Examiner — Marianne Pandozzi

Assistant Examiner — Jae Liang

(74) *Attorney, Agent, or Firm* — Knechtel, Demeur & Samlan

(57) **CLAIM**

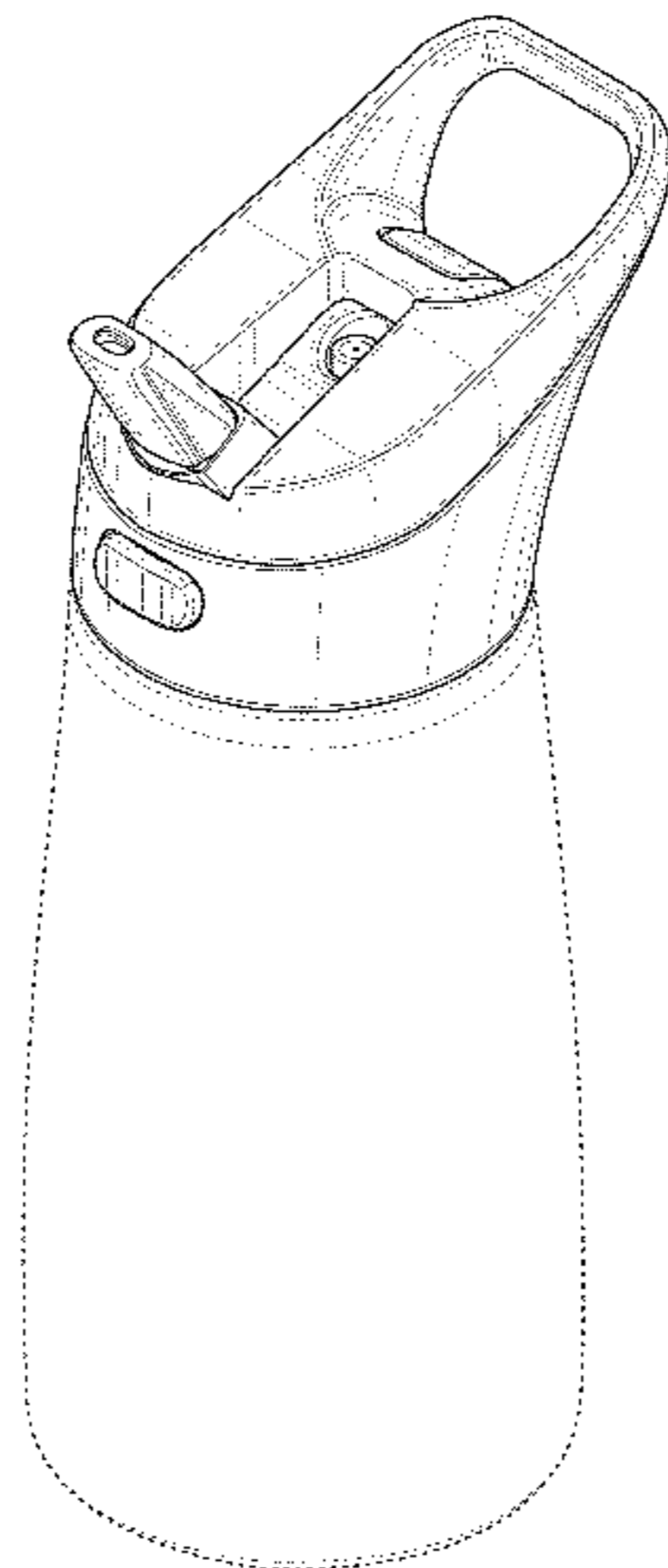
We claim the ornamental design for a drinking and misting bottle with drinking spout, as shown and described.

DESCRIPTION

FIG. 1 is a top perspective view of a drinking and misting bottle with drinking spout showing our new design;
FIG. 2 is a bottom perspective view thereof;
FIG. 3 is a front view thereof;
FIG. 4 is a rear view thereof;
FIG. 5 is a left side view thereof;
FIG. 6 is a right side view thereof;
FIG. 7 is a top plan view thereof; and,
FIG. 8 is a bottom view thereof.

The broken line in the figures is included for the purpose of illustrating portions of the drinking and misting bottle with drinking spout and forms no part of the claimed design.

1 Claim, 7 Drawing Sheets



(56)

References Cited

U.S. PATENT DOCUMENTS

D701,727 S *	4/2014	Gilbert	D7/507	D716,657 S *	11/2014	Caneer	D9/443
D708,954 S *	7/2014	Barnes et al.	D9/504	D719,445 S *	12/2014	Caneer	D9/447
RE45,055 E *	8/2014	Roth et al.	D7/510	8,905,252 B2 *	12/2014	Latham et al.	215/306
8,833,586 B2 *	9/2014	Meyers et al.	220/254.3	2006/0226110 A1 *	10/2006	Choi et al.	215/228
				2010/0181329 A1 *	7/2010	Davies et al.	220/707
				2013/0140316 A1 *	6/2013	Flowers et al.	220/592.17
				2014/0014740 A1 *	1/2014	Sands et al.	239/289

* cited by examiner

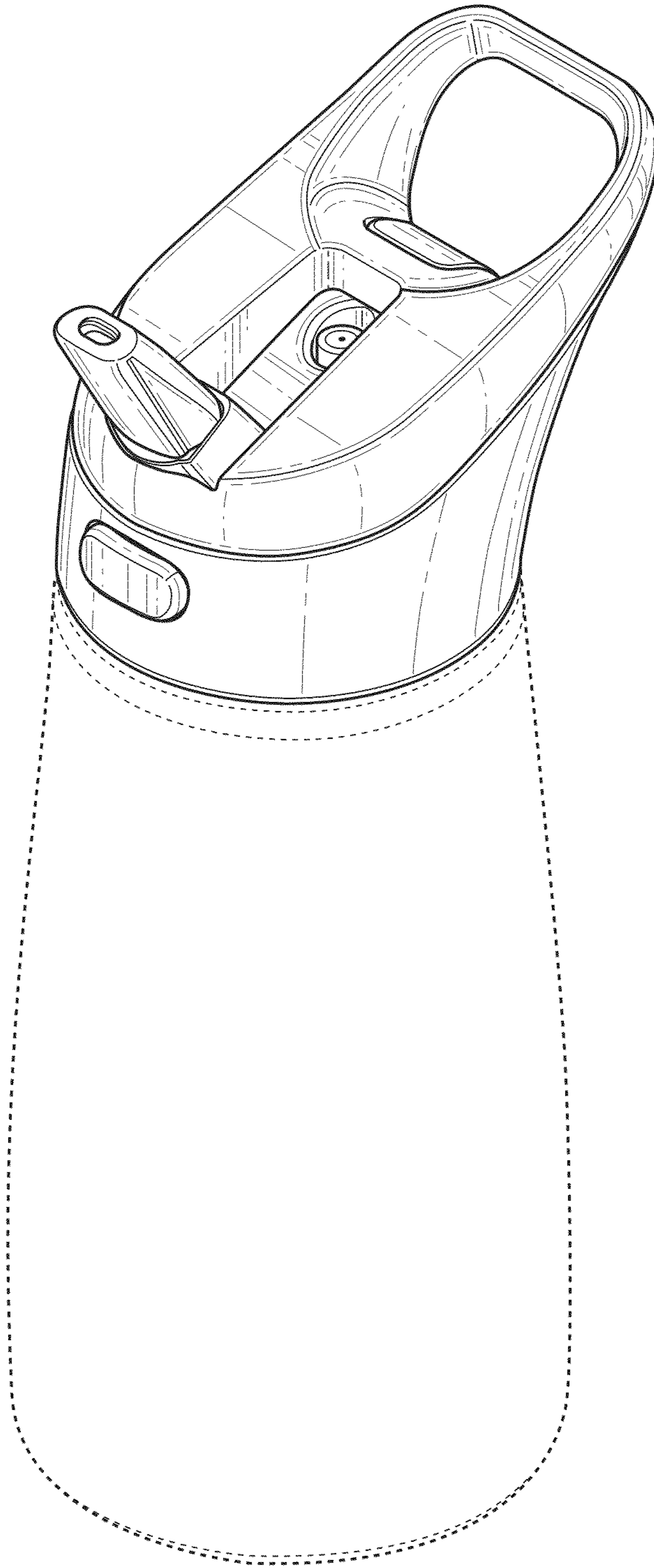


FIG. 1

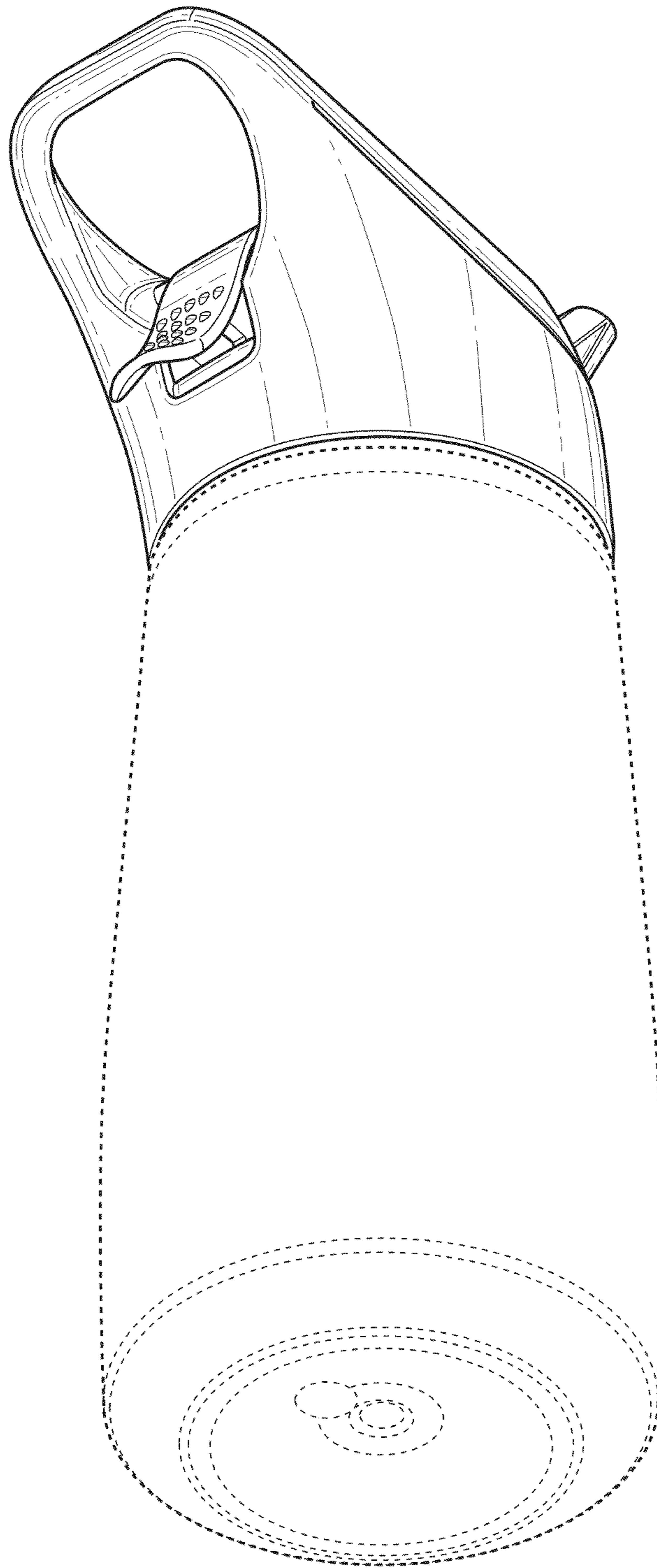


FIG. 2

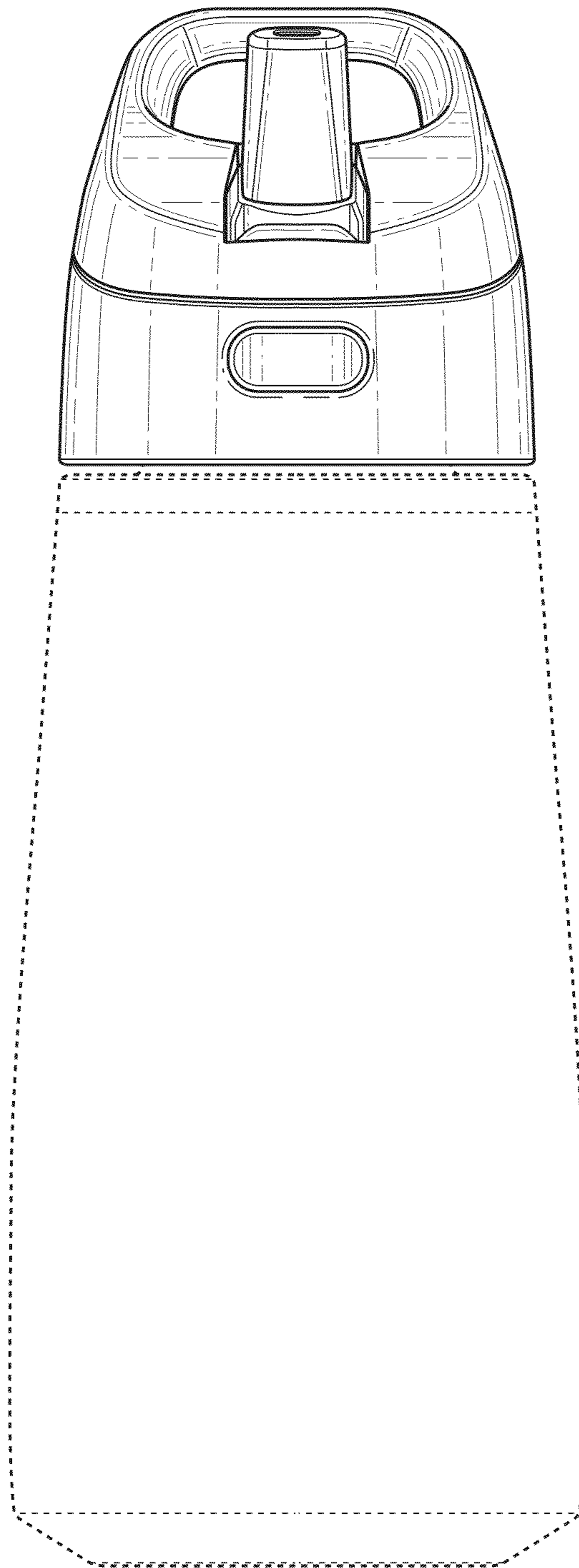


FIG. 3

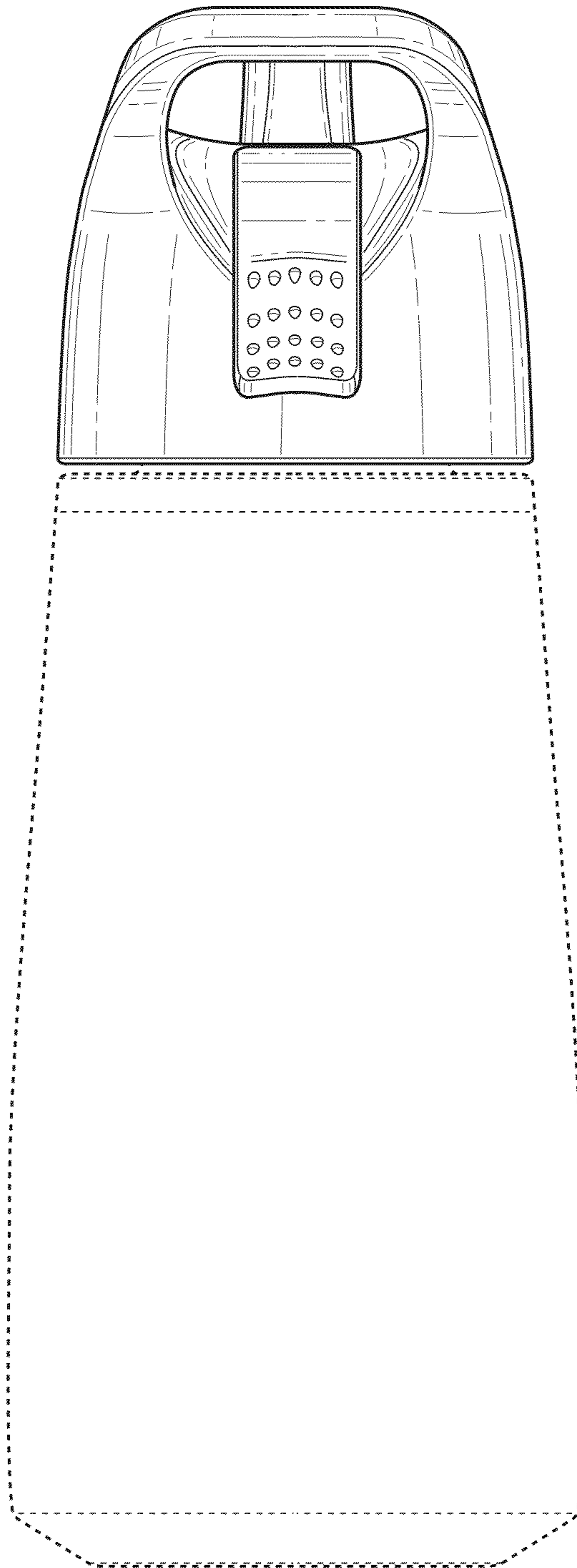


FIG. 4

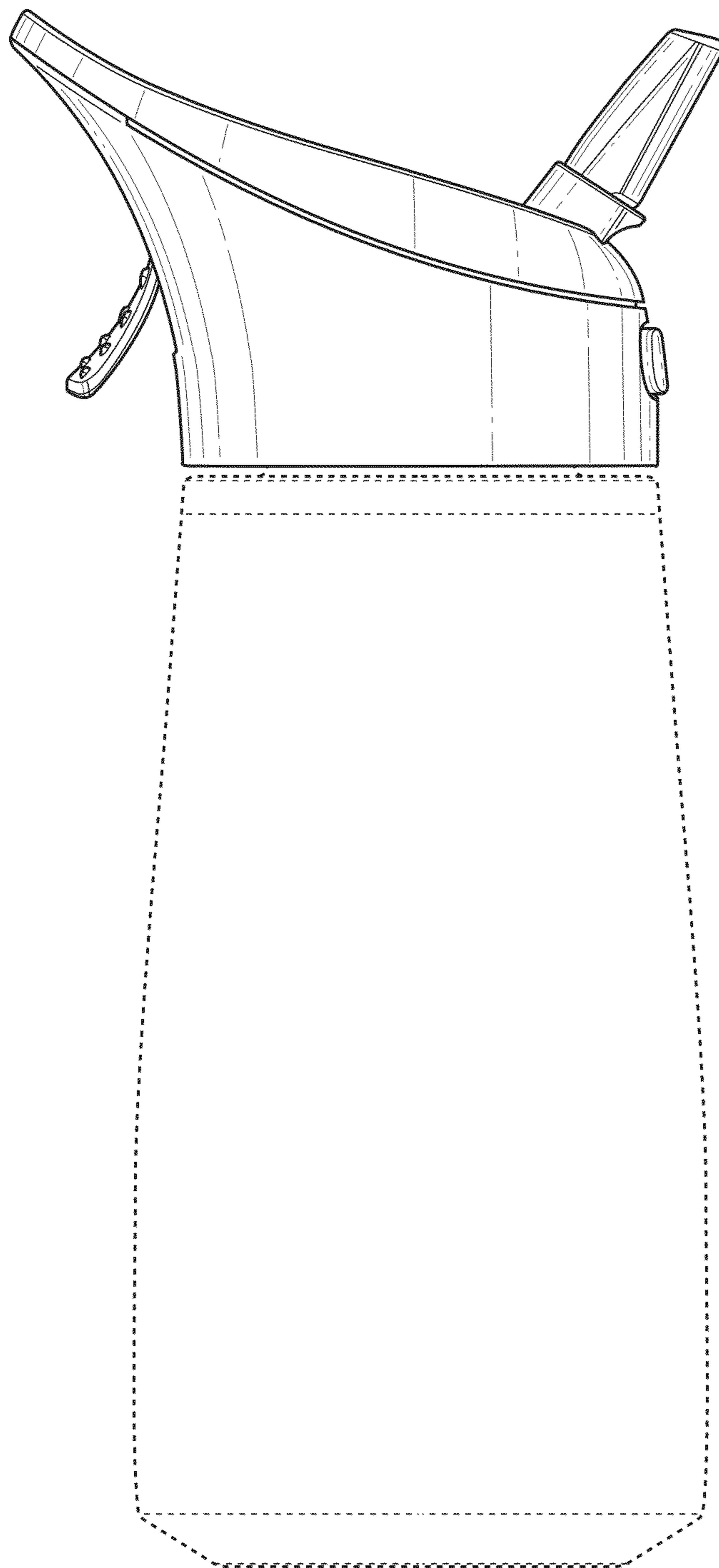


FIG. 5

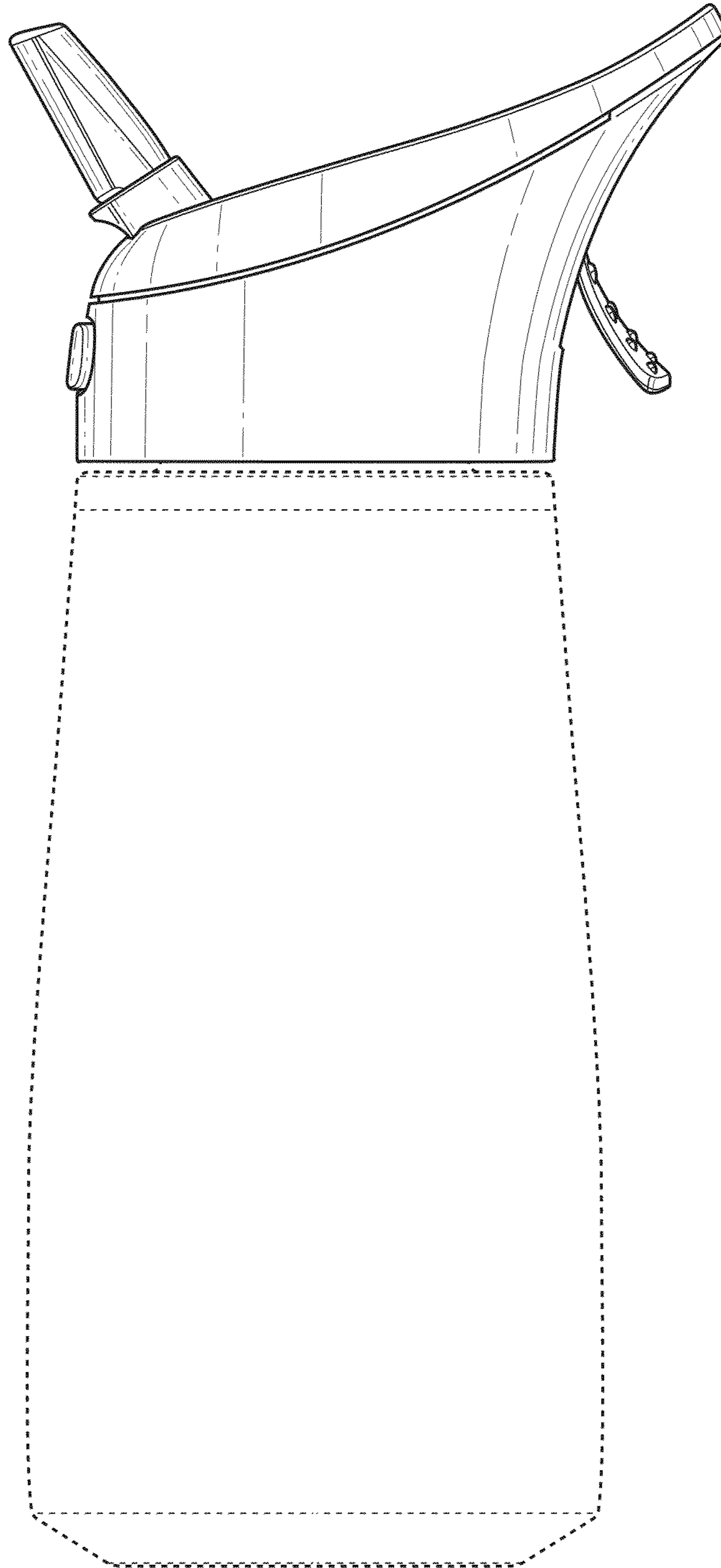


FIG. 6

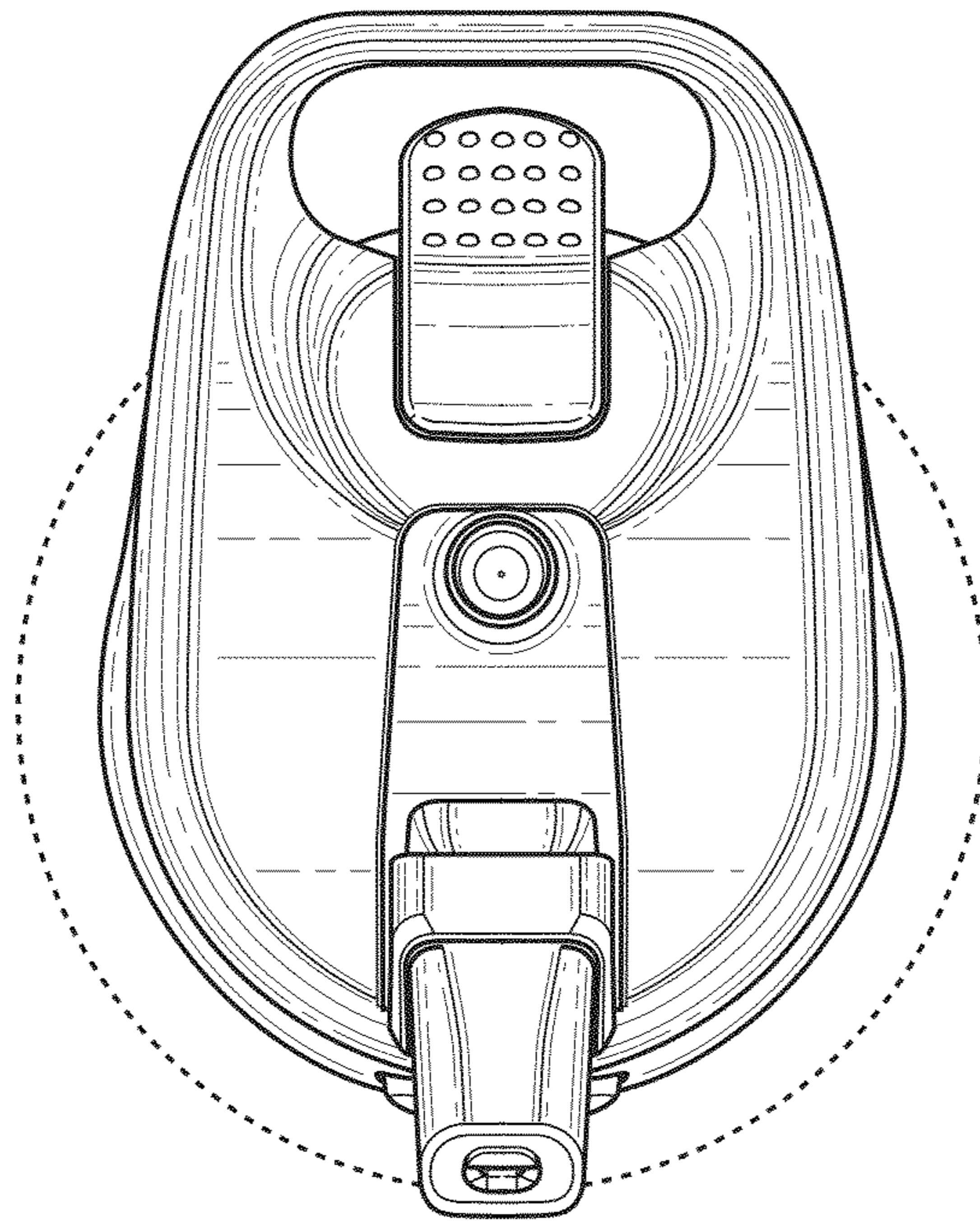


FIG. 7

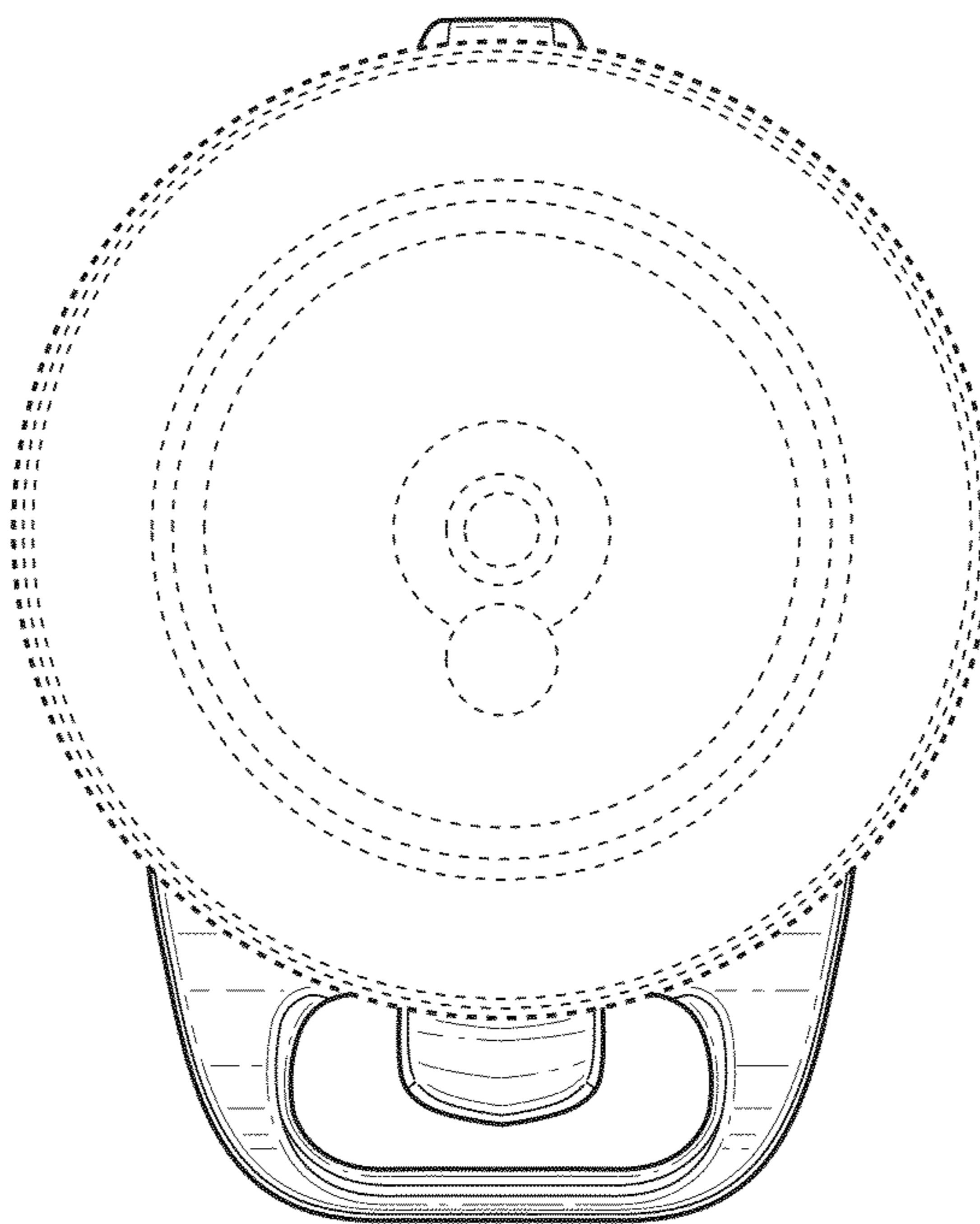


FIG. 8