



US00D729568S

(12) **United States Design Patent**
Sands

(10) **Patent No.:** **US D729,568 S**

(45) **Date of Patent:** **** May 19, 2015**

(54) **DESSERT MAKER**

(71) Applicant: **Lenny Sands**, Los Angeles, CA (US)

(72) Inventor: **Lenny Sands**, Los Angeles, CA (US)

(73) Assignee: **Homeland Housewares, LLC**

(**) Term: **14 Years**

(21) Appl. No.: **29/459,337**

(22) Filed: **Jun. 28, 2013**

(51) **LOC (10) Cl.** **31-00**

(52) **U.S. Cl.**
USPC **D7/376**

(58) **Field of Classification Search**
CPC A21C 1/02; A21C 1/04; A23N 1/00;
A23N 1/02; A47J 43/04; A47J 43/25; A47J
43/27; A47J 43/042; A47J 43/044; A47J
43/046; A47J 43/075; A47J 43/0722; A47J
43/0727; B01F 3/00; B01F 3/0807; B01F
3/0853; B01F 13/0059; B01F 13/0064;
B02C 1/08; B02C 2/04; B02C 4/42; B02C
4/142; B02C 4/143; B02C 4/423; B02C
13/1835; B28C 5/10; B28C 5/12; B28C 5/14;
B28C 5/16
USPC D7/372, 376-386, 412-413, 602, 629,
D7/665-666, 669, 679, 693-694;
99/509-511; 241/92, 98,
241/101.01-101.2, 166-169.1, 274-278.2,
241/285.1-285.3, 291, 292.1; 366/64-65,
366/97-98, 100, 130, 146, 197-201,
366/205-207, 219-220, 314, 341-343
See application file for complete search history.

D348,177 S * 6/1994 Kelly et al. D7/381
D407,265 S * 3/1999 Sundquist D7/384
6,050,180 A 4/2000 Moline
6,536,335 B1 3/2003 Ashworth
7,028,607 B2 4/2006 Zweben
7,080,594 B2 7/2006 Lin
D526,539 S * 8/2006 Yip D7/665
D553,427 S * 10/2007 Ball D7/384
D586,614 S * 2/2009 Garman et al. D7/384
8,091,473 B2 1/2012 Kim
8,226,290 B1 * 7/2012 Tolufashe 366/146
D677,975 S * 3/2013 Jin et al. D7/381
D682,606 S * 5/2013 Machovina et al. D7/377
D701,077 S * 3/2014 Whitner et al. D7/377
D706,580 S * 6/2014 Xie D7/412
2001/0008258 A1 7/2001 Robordosa et al.
2005/0207273 A1 * 9/2005 Newman et al. 366/314
2009/0064875 A1 3/2009 Trovinger
2010/0058940 A1 3/2010 Rivera
2010/0282886 A1 11/2010 Pallmann
2010/0288139 A1 11/2010 Li et al.
2012/0048977 A1 3/2012 Machovina et al.

* cited by examiner

Primary Examiner — Ricky Pham
(74) *Attorney, Agent, or Firm* — Trojan Law Offices

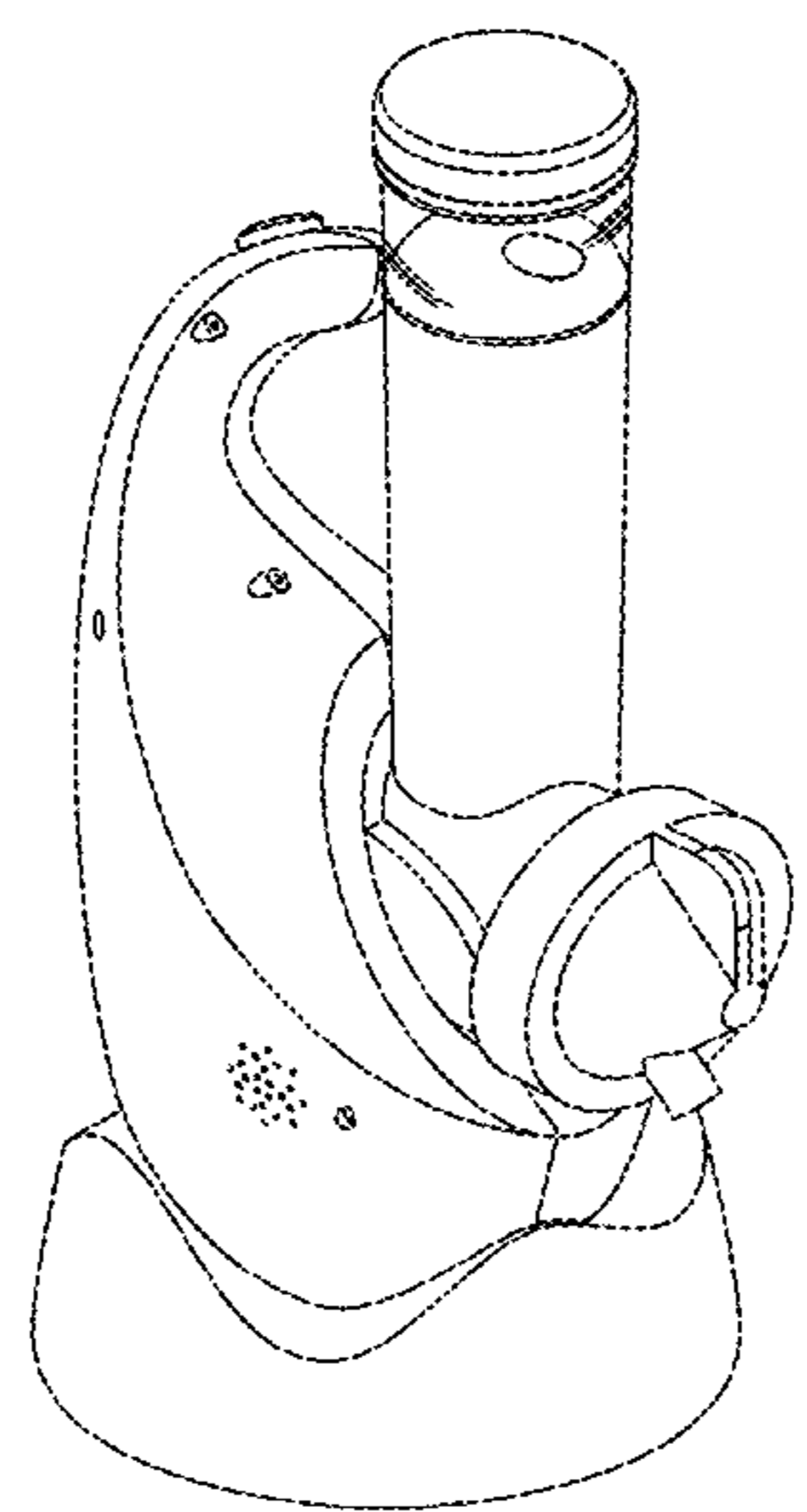
(57) **CLAIM**
The ornamental design for an dessert maker, as shown and described.

DESCRIPTION

FIG. 1 is a perspective view of an dessert maker showing my new design;
FIG. 2 is a front view of the dessert maker shown in FIG. 1;
FIG. 3 is a rear view of the dessert maker shown in FIG. 1;
FIG. 4 is a left side view of the dessert maker shown in FIG. 1;
FIG. 5 is a right side view of the dessert maker shown in FIG. 1;
FIG. 6 is a top view of the dessert maker shown in FIG. 1; and,
FIG. 7 is a bottom view of the dessert maker shown in FIG. 1.

(56) **References Cited**
U.S. PATENT DOCUMENTS
D300,400 S * 3/1989 Kelly et al. D7/381
5,233,916 A 8/1993 Butler et al.

1 Claim, 4 Drawing Sheets



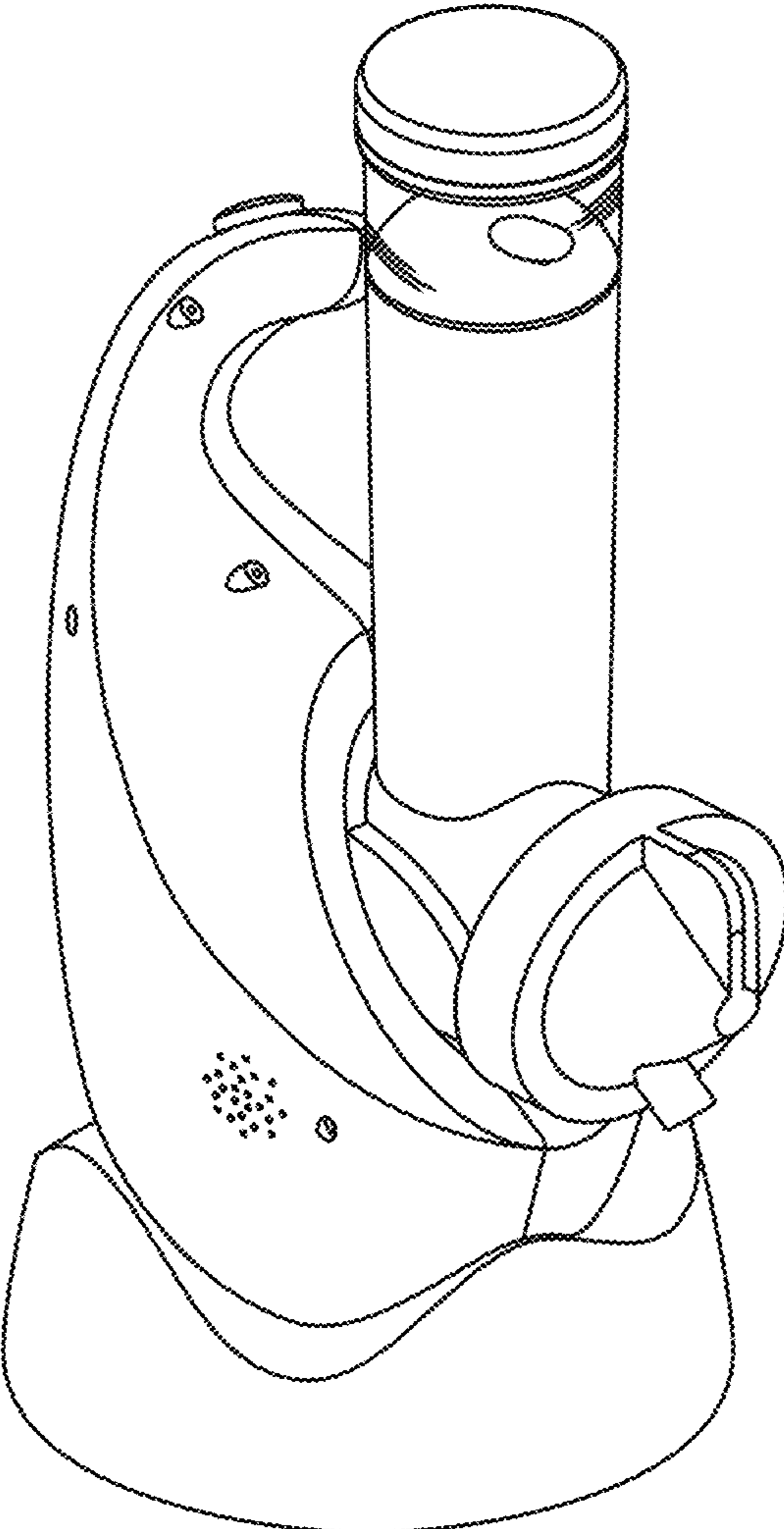


Fig. 1

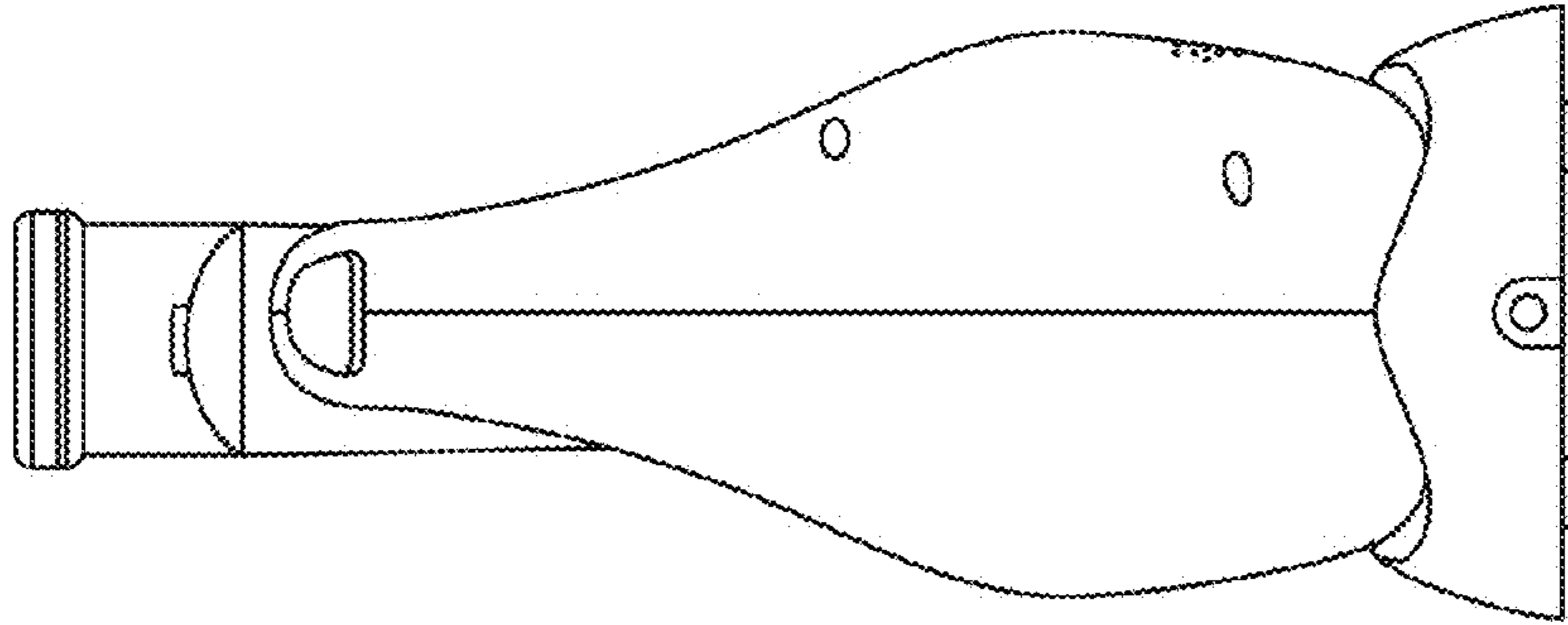


Fig. 2

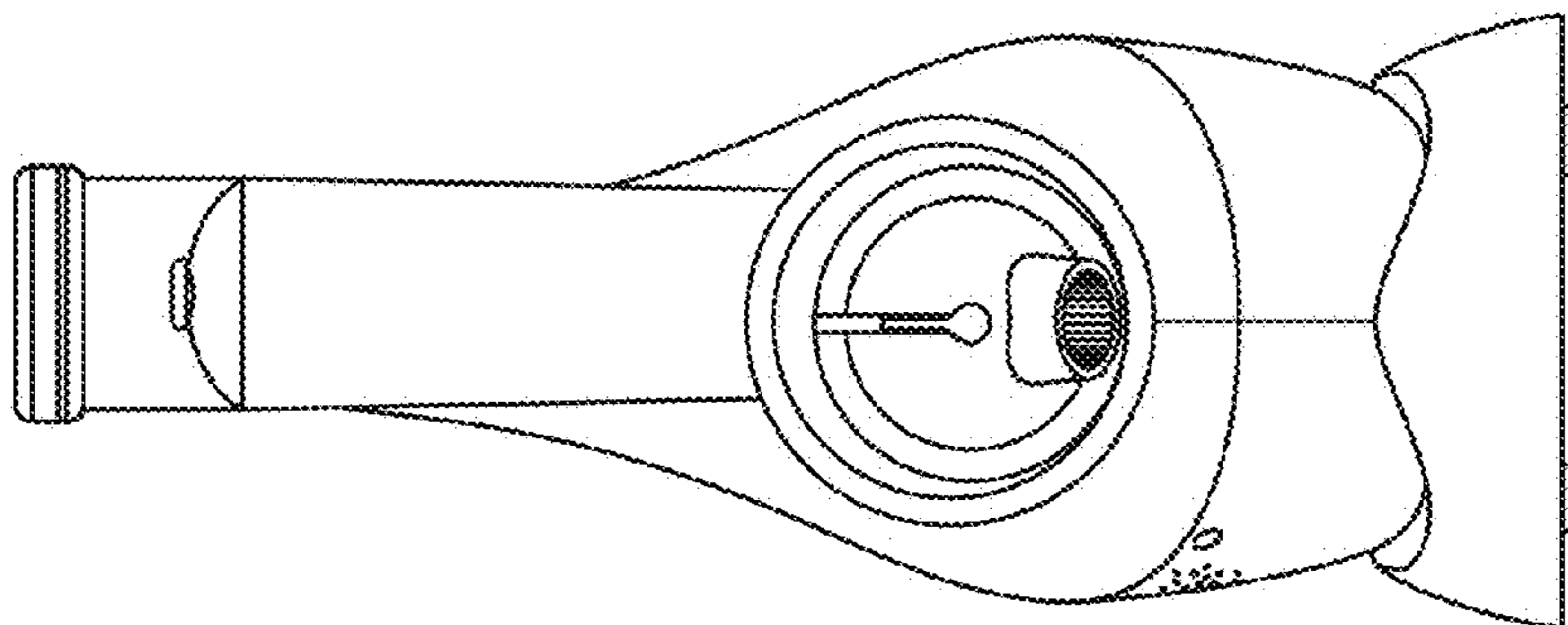


Fig. 3

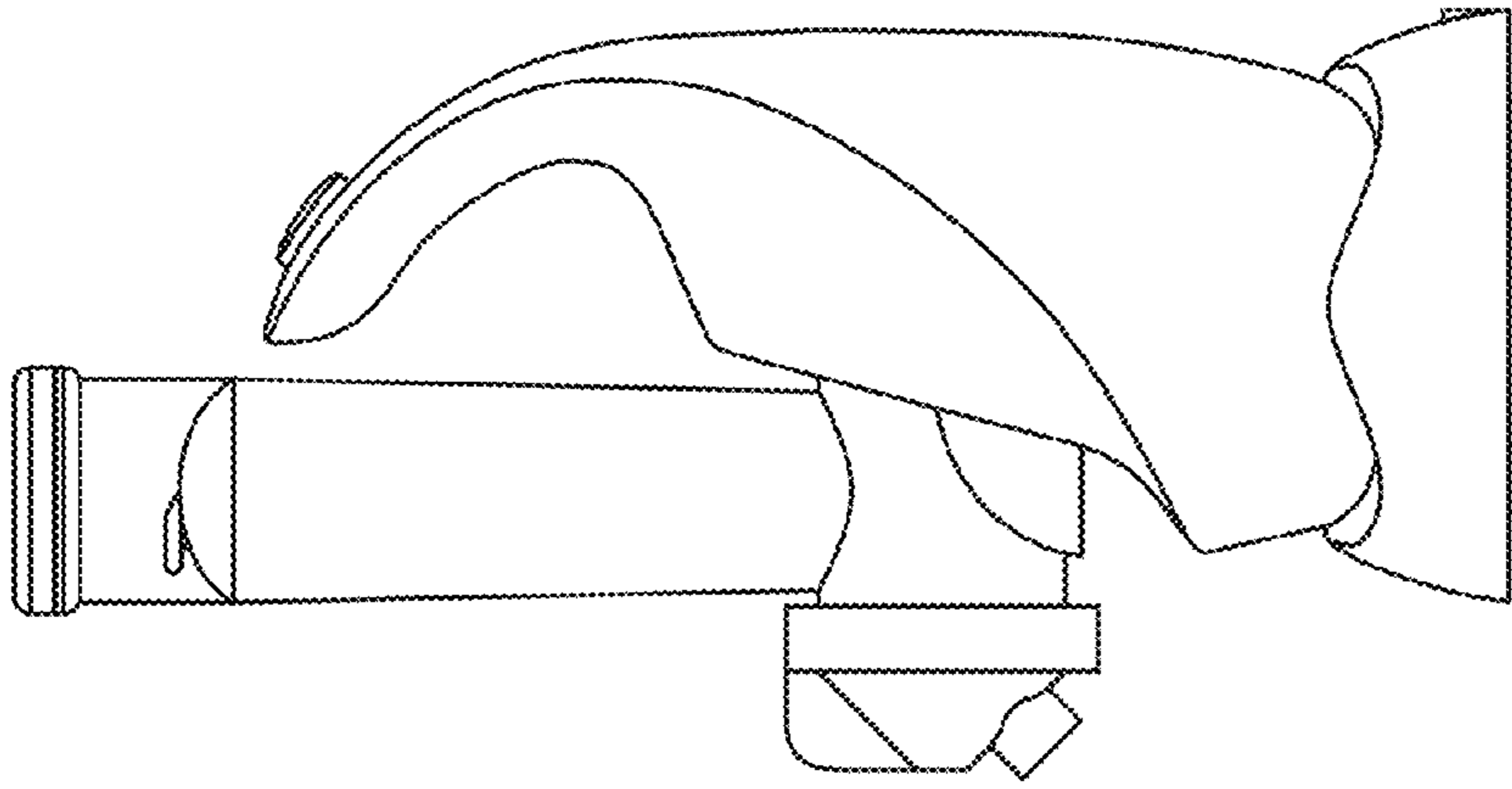


Fig. 5

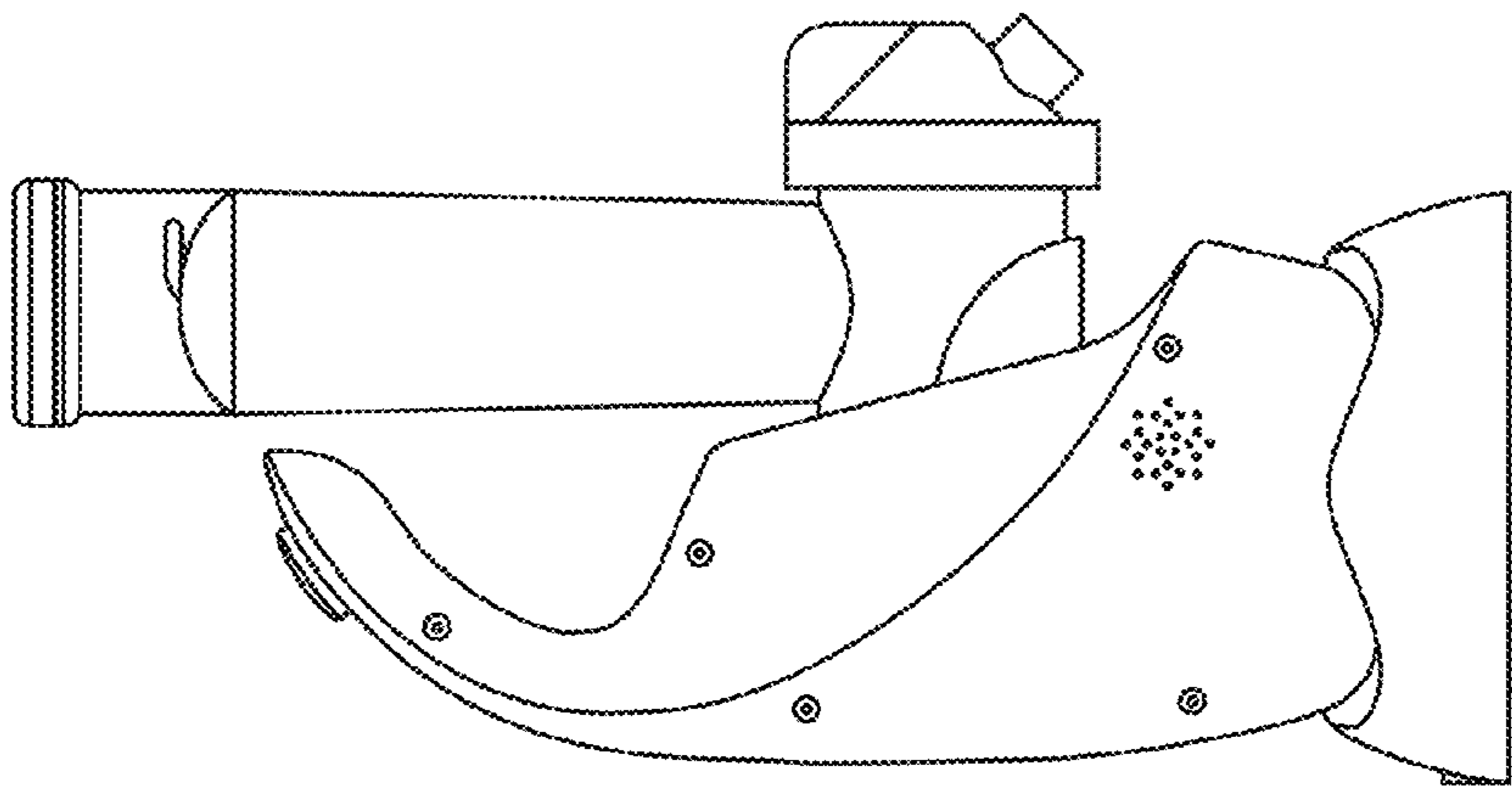


Fig. 4

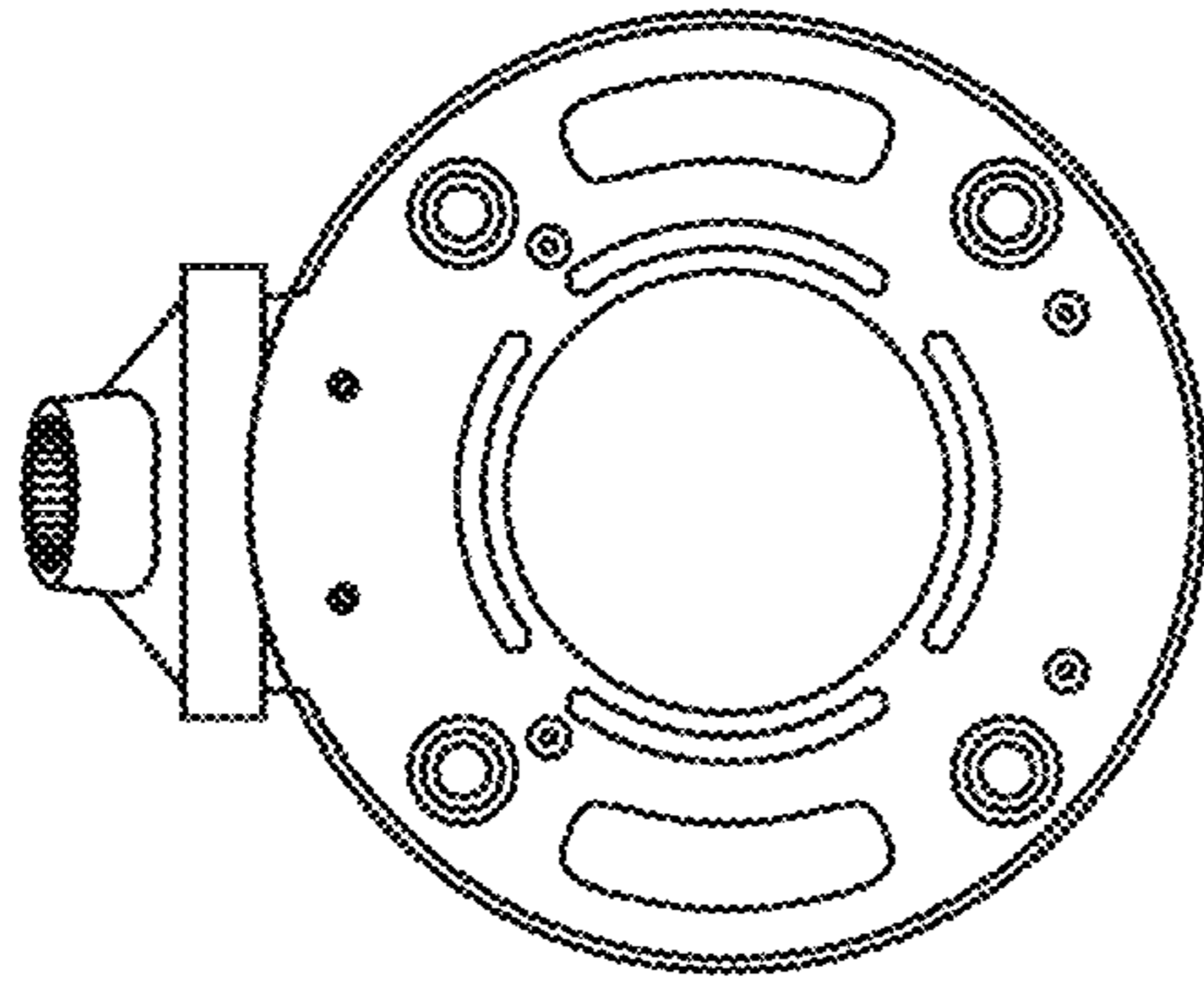


Fig. 7

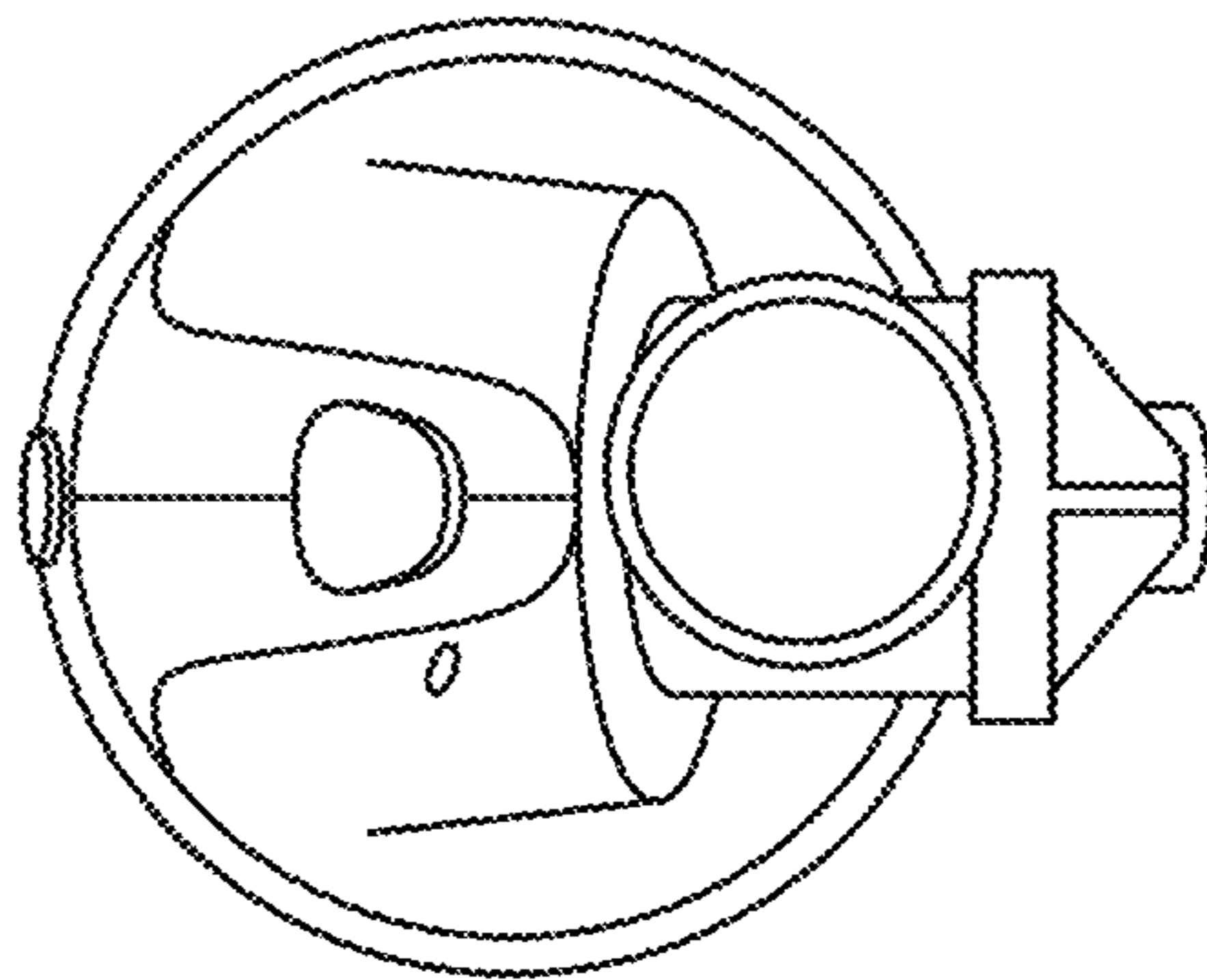


Fig. 6