



US00D729567S

(12) **United States Design Patent**
Haas et al.

(10) **Patent No.:** **US D729,567 S**

(45) **Date of Patent:** **** May 19, 2015**

(54) **OVEN SAVER BAKING RING**

(71) Applicants: **J. Gary Haas**, Manchester, MO (US);
Carol A. Haas, Manchester, MO (US)

(72) Inventors: **J. Gary Haas**, Manchester, MO (US);
Carol A. Haas, Manchester, MO (US)

(**) Term: **14 Years**

(21) Appl. No.: **29/468,312**

(22) Filed: **Sep. 27, 2013**

(51) **LOC (10) Cl.** **07-01**

(52) **U.S. Cl.**
USPC **D7/368**

(58) **Field of Classification Search**
USPC D7/368, 669, 629, 500.1, 553.1,
D7/553.6-553.8, 554.1, 554.2, 554.4, 584,
D7/586, 587, 391-392.1, 412, 538-542,
D7/387; D24/232; D9/424-429;
220/574-575, 912, 913, 902-906, 406;
62/371-372; 99/467-482; 426/118,
426/106

See application file for complete search history.

(56) **References Cited**

U.S. PATENT DOCUMENTS

D455,617 S * 4/2002 Craig et al. D7/677
D485,126 S * 1/2004 Watson D7/584

D559,993 S * 1/2008 Nagakubo et al. D24/232
D559,994 S * 1/2008 Nagakubo et al. D24/232
D560,284 S * 1/2008 Nagakubo et al. D24/232
D667,561 S * 9/2012 Bedingham et al. D24/216
2005/0115974 A1 * 6/2005 Micciulla 220/574
2009/0035423 A1 * 2/2009 Rettay et al. 426/113
2011/0095032 A1 * 4/2011 Evans 220/574

* cited by examiner

Primary Examiner — Wan Laymon

Assistant Examiner — Mark Booker

(74) *Attorney, Agent, or Firm* — Charles McCloskey

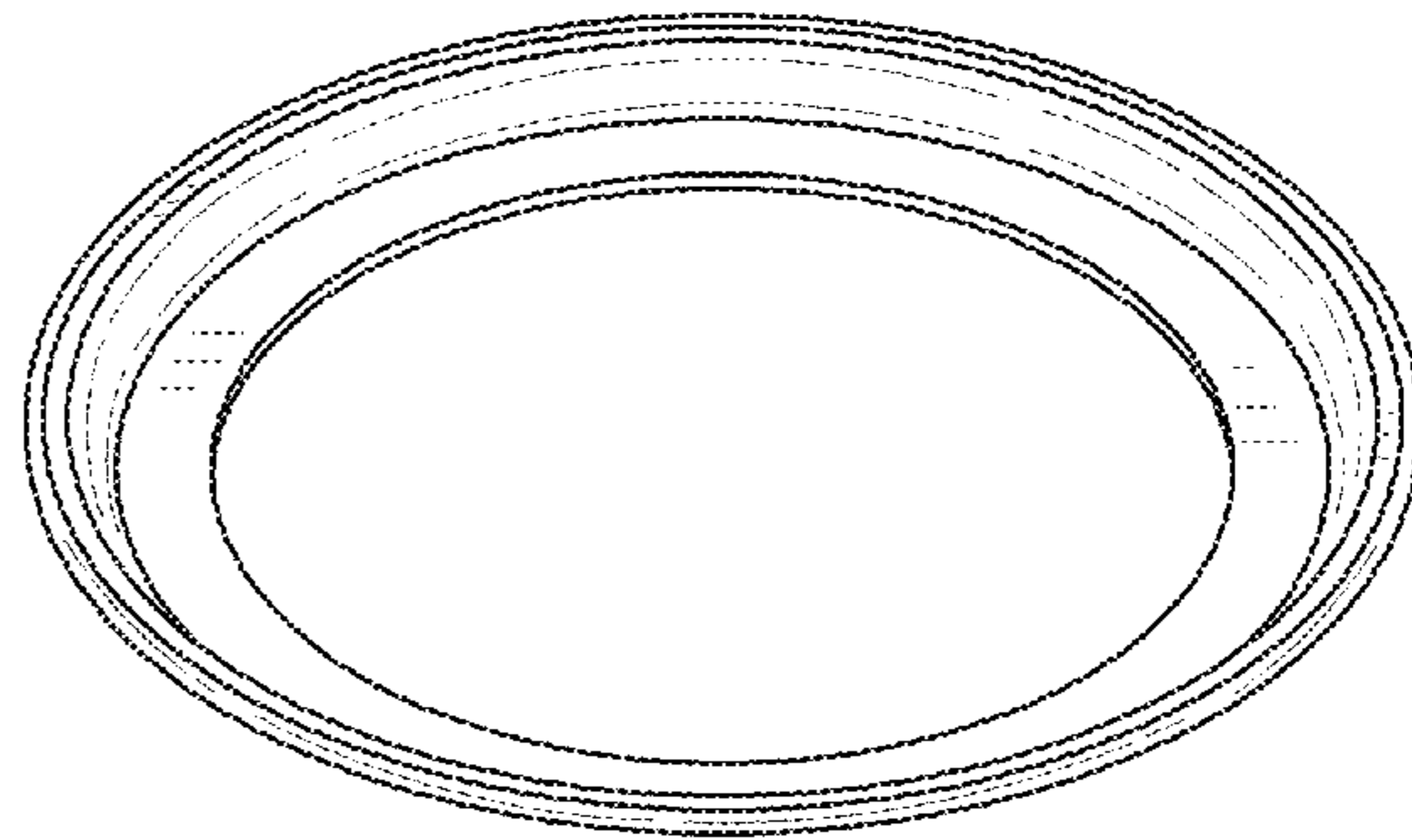
(57) **CLAIM**

The ornamental design for a oven saver baking ring, as shown and described.

DESCRIPTION

FIG. 1 is a top view;
FIG. 2 is a bottom view;
FIG. 3 is a side view;
FIG. 4 is a side view;
FIG. 5 is a perspective view;
FIG. 6 is a top view of an alternate embodiment;
FIG. 7 is a bottom view of an alternate embodiment;
FIG. 8 is a side view of an alternate embodiment;
FIG. 9 is a side view of an alternate embodiment; and
FIG. 10 is a perspective view of an alternate embodiment.

1 Claim, 4 Drawing Sheets



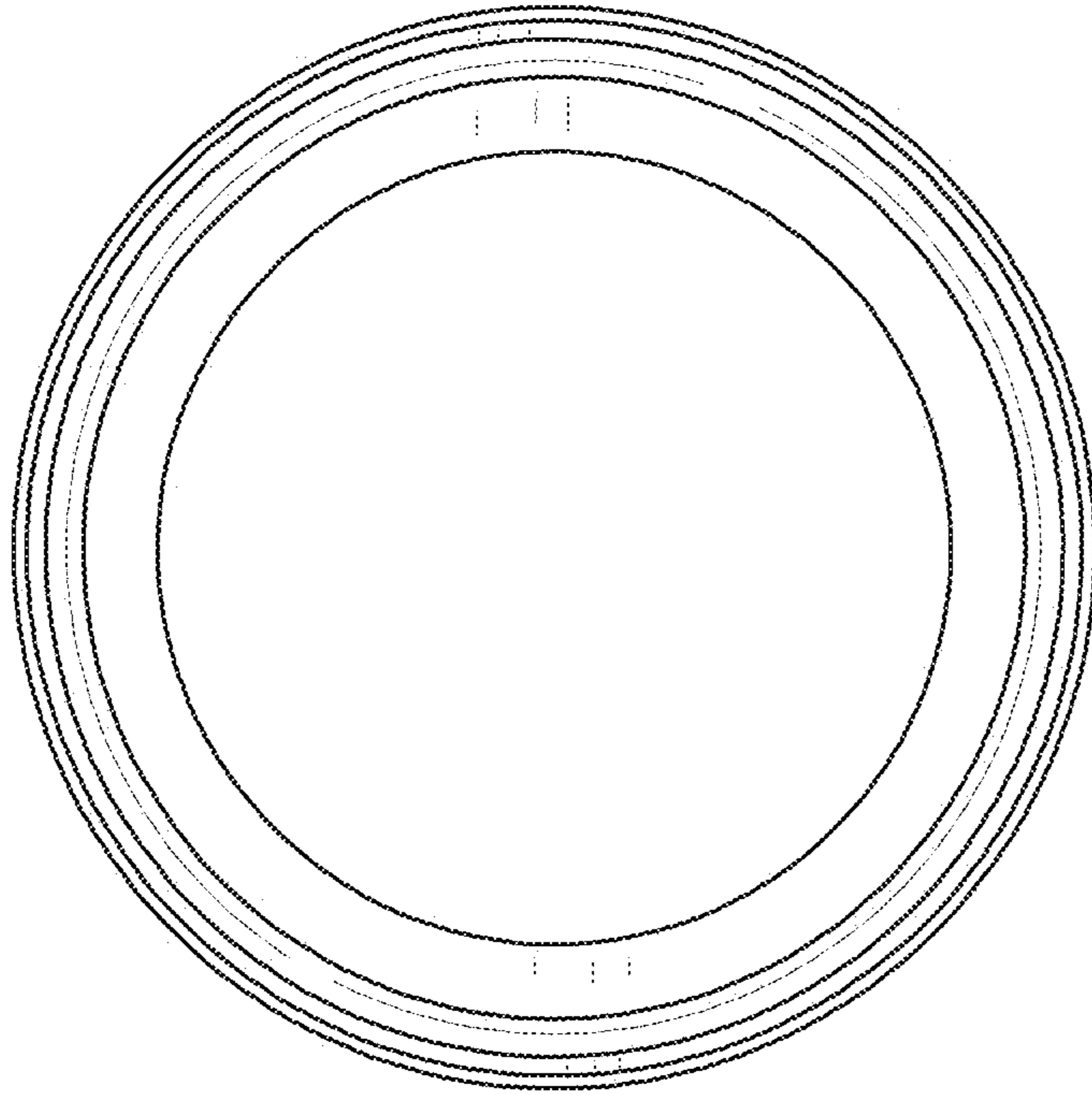


FIG. 1

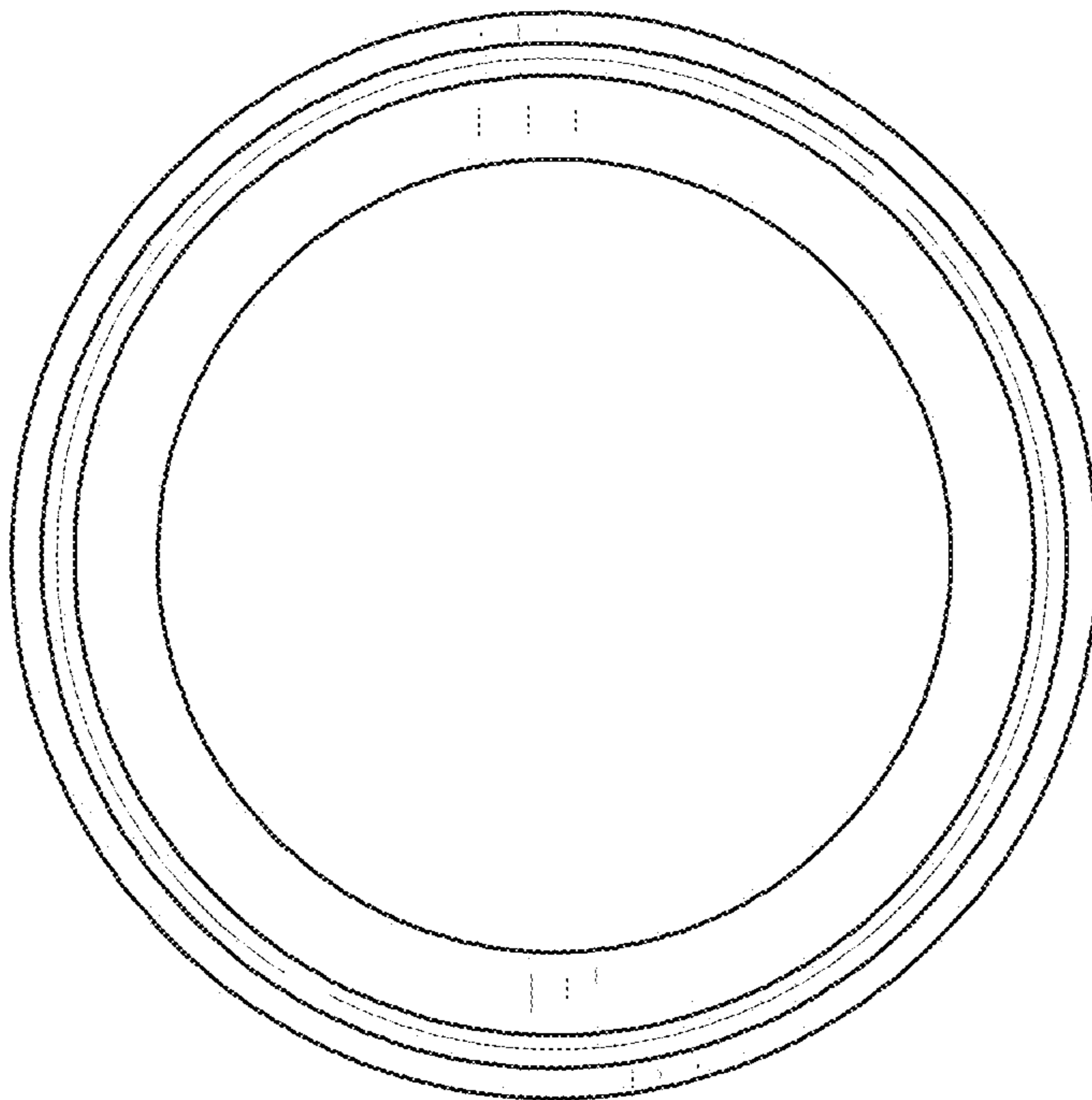


FIG. 2

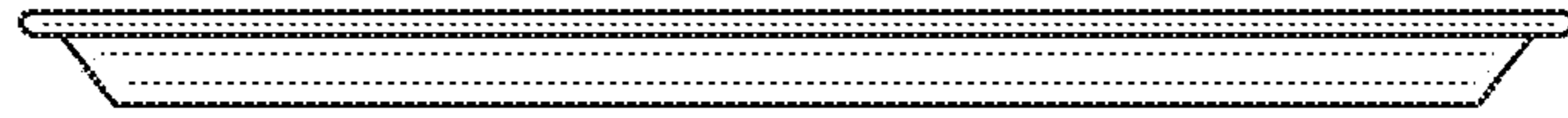


FIG. 3

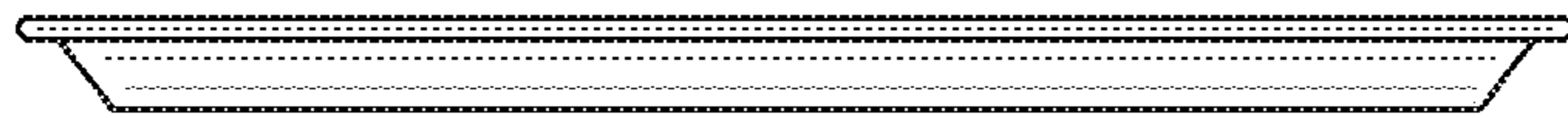


FIG. 4

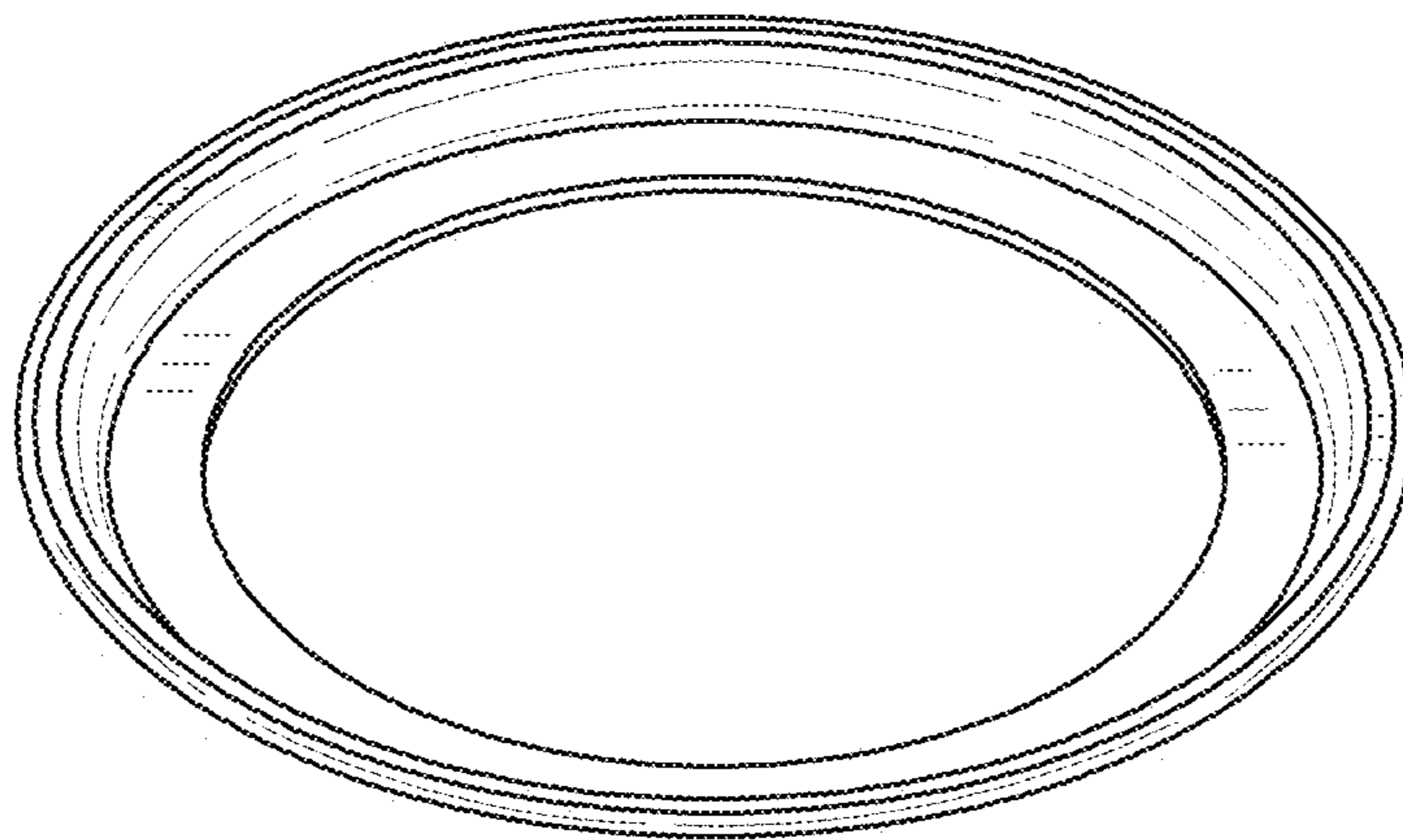


FIG. 5

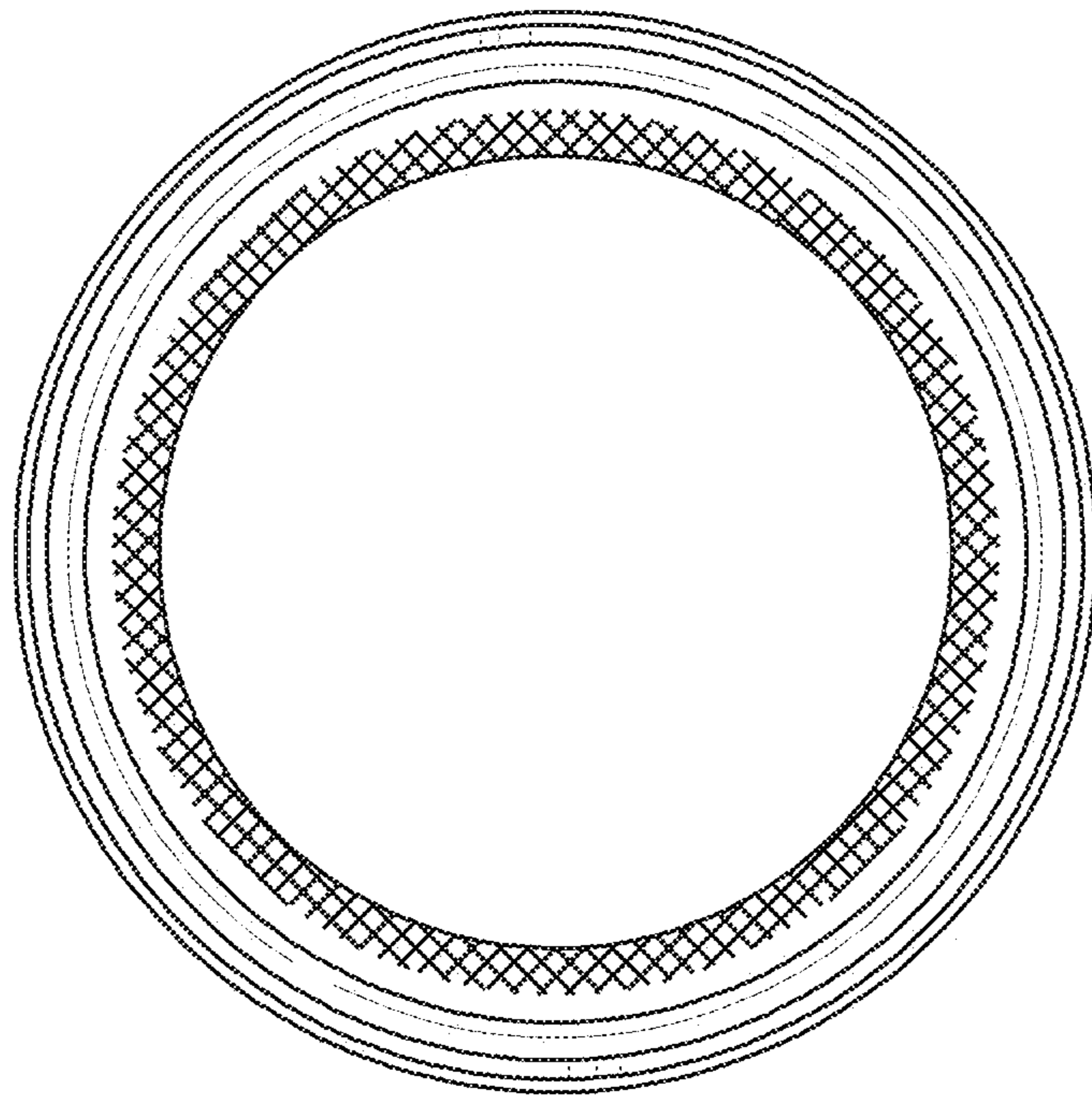


FIG. 6

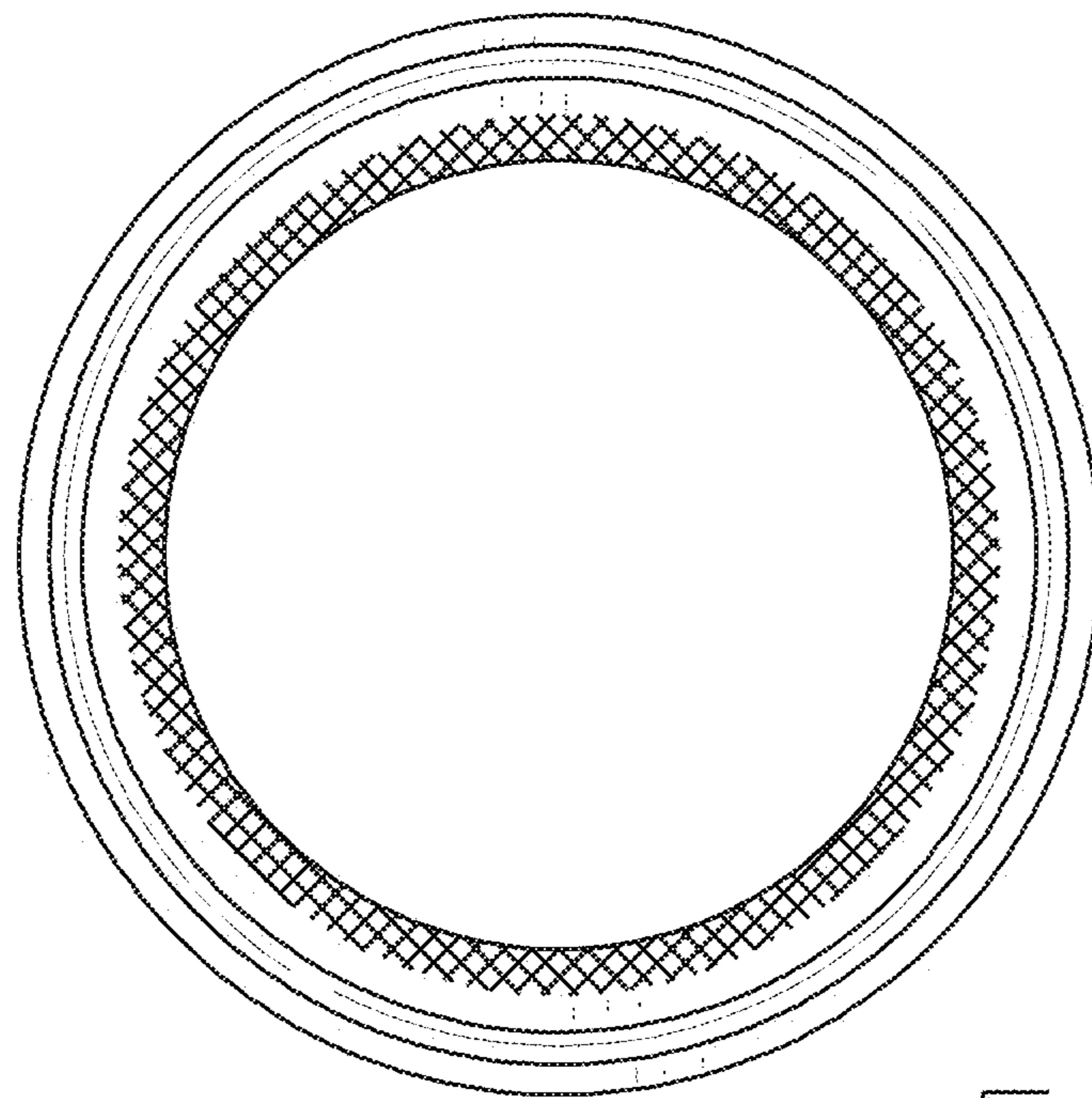


FIG. 7



FIG. 8



FIG. 9

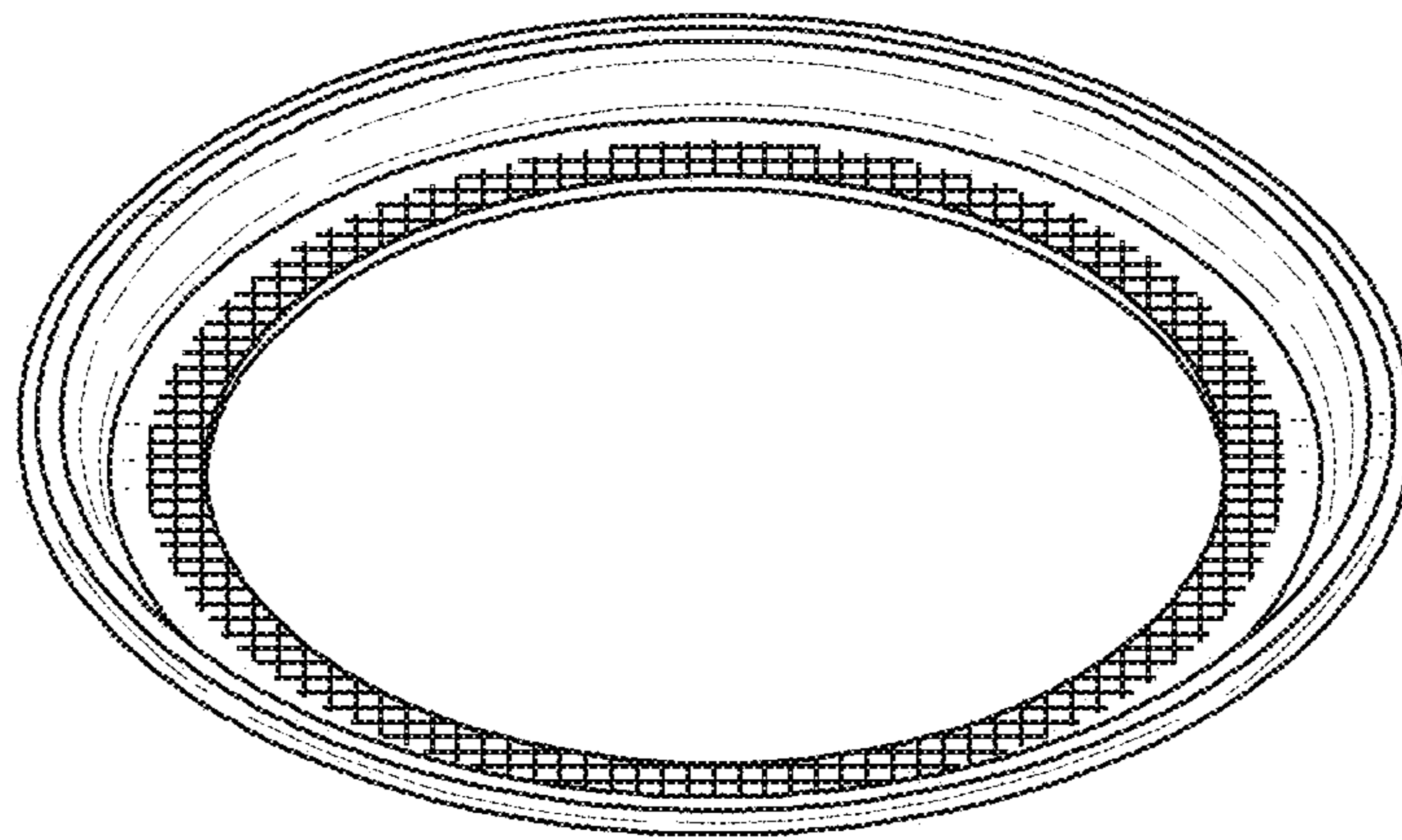


FIG. 10