



US00D729566S

(12) **United States Design Patent**
Morgan

(10) **Patent No.:** **US D729,566 S**

(45) **Date of Patent:** **** May 19, 2015**

(54) **PITCHER AND MIXING RULER FOR PREPARING AND DISPENSING BEVERAGES**

8,061,198 B2 * 11/2011 Yinko et al. 73/428
8,172,454 B2 * 5/2012 Choi 366/147
D663,155 S * 7/2012 Bodum D7/319

(71) Applicant: **Lee T. Morgan**, New York, NY (US)

* cited by examiner

(72) Inventor: **Lee T. Morgan**, New York, NY (US)

Primary Examiner — Marianne Pandozzi

(**) Term: **14 Years**

(74) *Attorney, Agent, or Firm* — Price & Adams

(21) Appl. No.: **29/463,899**

(57) **CLAIM**

(22) Filed: **Mar. 31, 2014**

The ornamental design for a pitcher and mixing ruler for preparing and dispensing beverages, as shown and described.

(51) **LOC (10) Cl.** **07-01**

(52) **U.S. Cl.**
USPC **D7/317; D7/319**

DESCRIPTION

(58) **Field of Classification Search**

CPC A47J 43/44
USPC D7/317-319, 316, 600; D23/209;
222/465.1; D10/46.2; 374/157

See application file for complete search history.

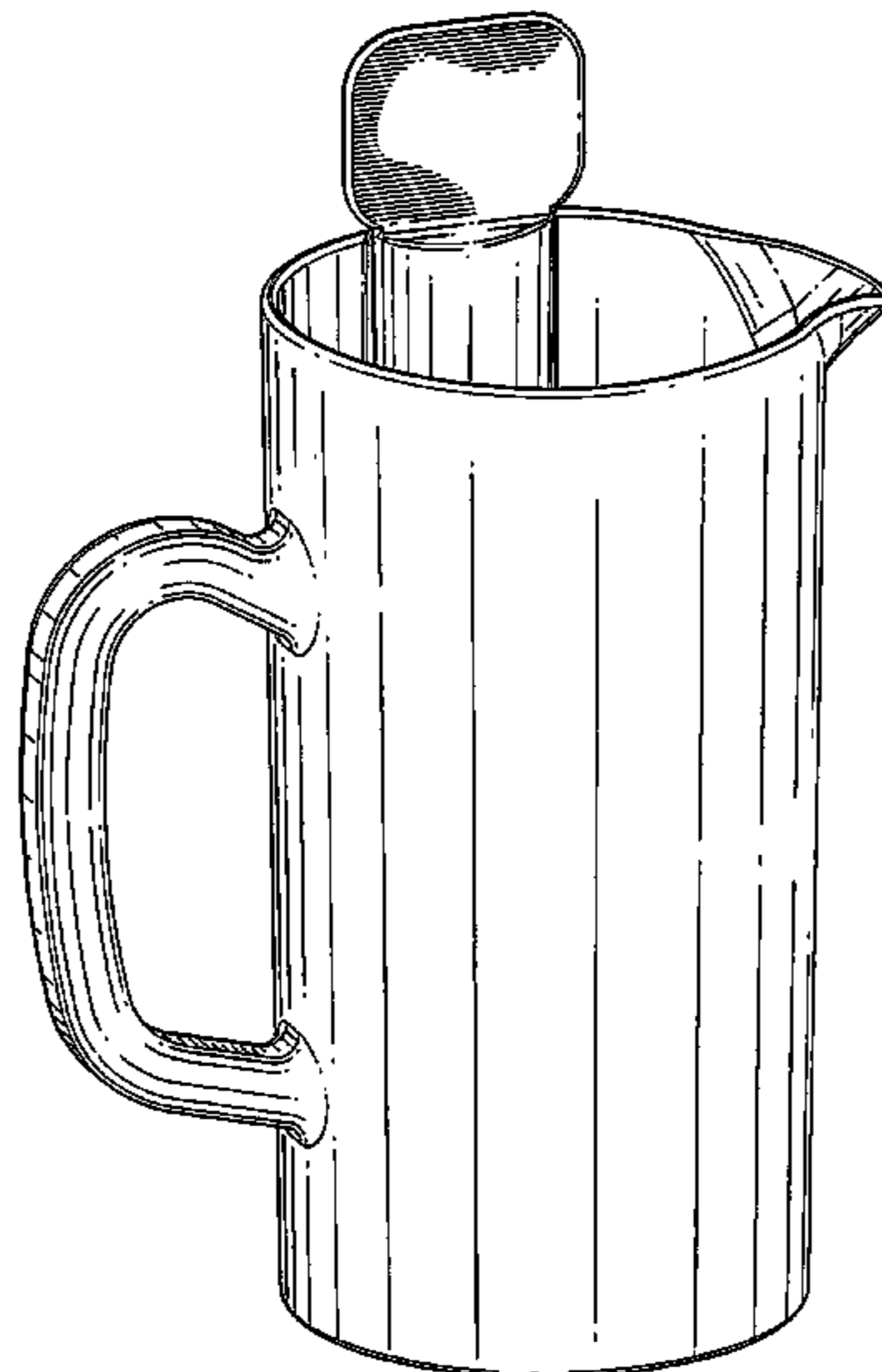
(56) **References Cited**

U.S. PATENT DOCUMENTS

2,468,661	A *	4/1949	Gladstone	222/130
3,844,450	A *	10/1974	Johnson	222/183
D286,364	S *	10/1986	Gecchelin	D7/317
D300,708	S *	4/1989	Minuti	D7/317
4,843,836	A *	7/1989	Childers	62/293
4,946,286	A *	8/1990	Purkapile	366/247
5,425,579	A *	6/1995	Sampson	366/130
5,472,274	A *	12/1995	Baillie	366/129
5,588,747	A *	12/1996	Blevins	374/157
5,732,567	A *	3/1998	Anderson	62/457.4
D398,474	S *	9/1998	Wagner	D7/305
6,224,253	B1 *	5/2001	Dixon	366/247
6,324,864	B1 *	12/2001	Stewart et al.	62/457.3
7,028,505	B2 *	4/2006	Cardinale	62/372
D553,418	S *	10/2007	Sortore et al.	D7/319
D567,568	S *	4/2008	Bodum	D7/316
D595,534	S *	7/2009	Mankowitz	D7/317
D610,859	S *	3/2010	Lundstrom	D7/319
D633,325	S *	3/2011	McArdle	D7/319
D642,088	S *	7/2011	Kothari	D11/91

FIG. 1 is a perspective view of a pitcher and mixing ruler for preparing and dispensing beverages my new design;
FIG. 2 is a front view thereof;
FIG. 3 is a rear view thereof;
FIG. 4 is a left side view thereof, the right side view being a mirror image thereof;
FIG. 5 is a top plan view thereof;
FIG. 6 is a bottom plan view;
FIG. 7 is a sectional view thereof taken along line 7-7 of FIG. 5 with the mixing ruler removed for ease of illustration;
FIG. 8 is a left side perspective view thereof with the mixing ruler removed for ease of illustration;
FIG. 9 is a right side perspective view thereof;
FIG. 10 is an exploded right side perspective view of the pitcher and mixing ruler for preparing and dispensing beverages;
FIG. 11 is a top plan view of FIGS. 8 and 9;
FIG. 12 is a perspective view of the pitcher and mixing ruler for preparing and dispensing beverages with the pitcher portion removed for ease of illustration;
FIG. 13 is a right side view thereof;
FIG. 14 is a front view thereof;
FIG. 15 is a top plan view; and,
FIG. 16 is a bottom plan view thereof.

1 Claim, 11 Drawing Sheets



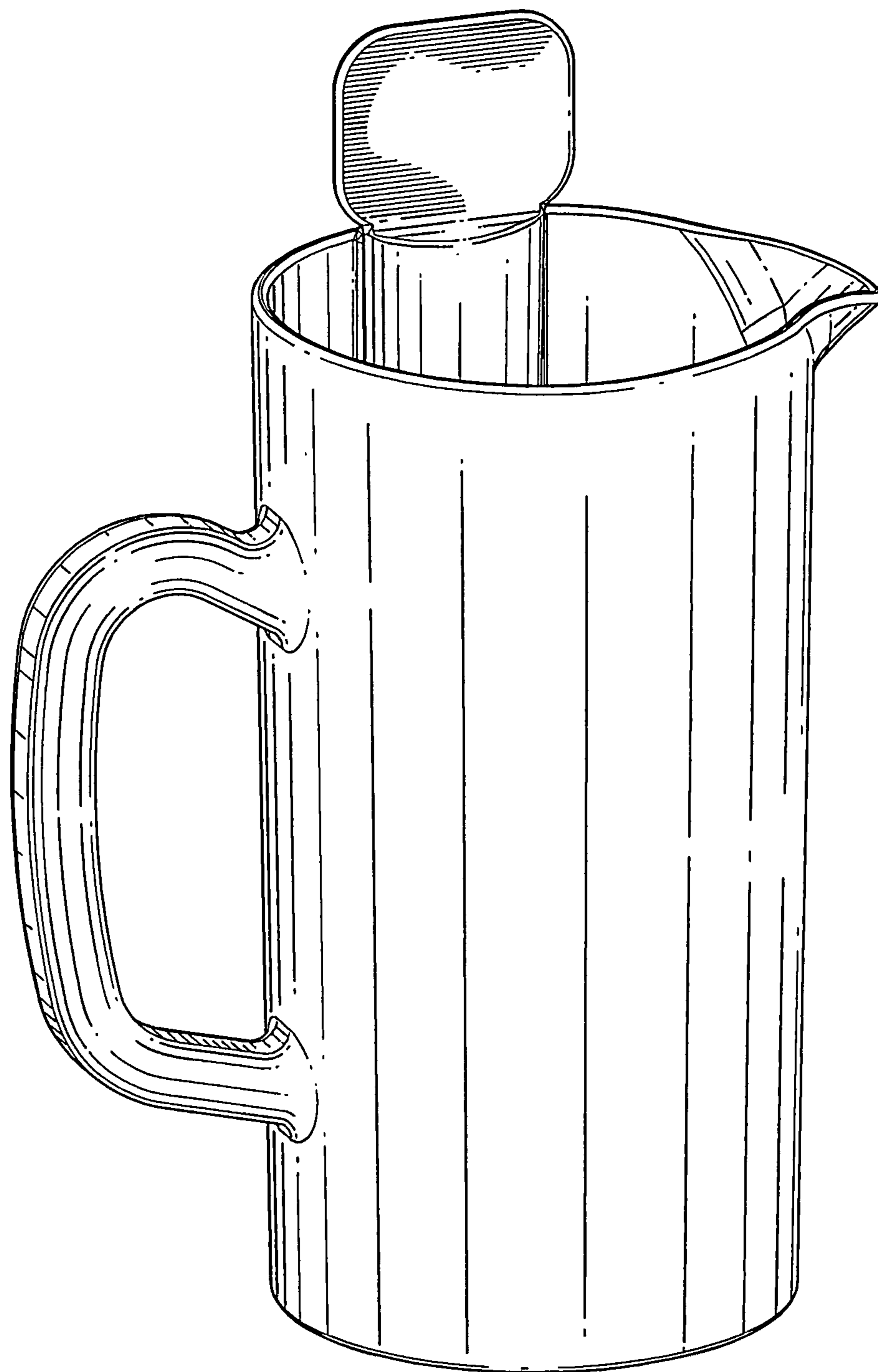


FIG. 1

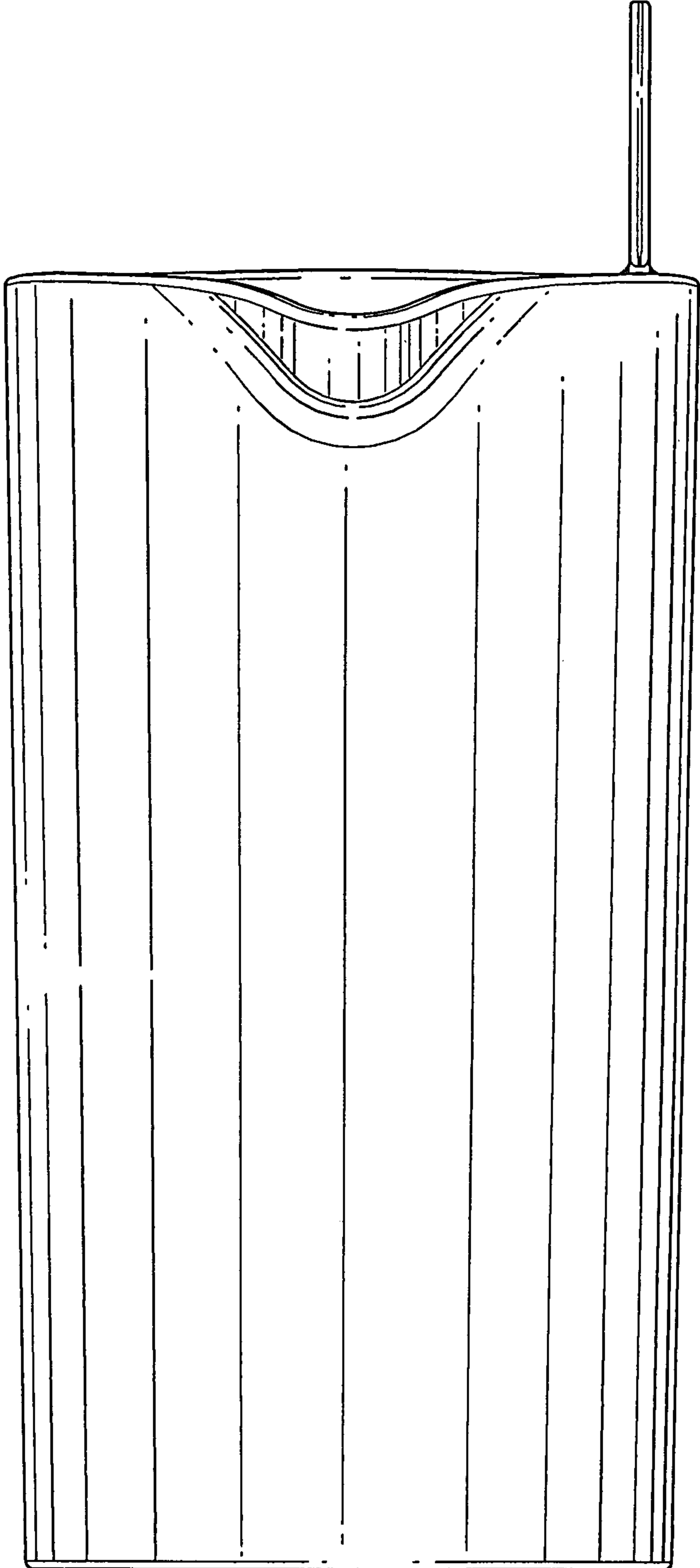


FIG. 2

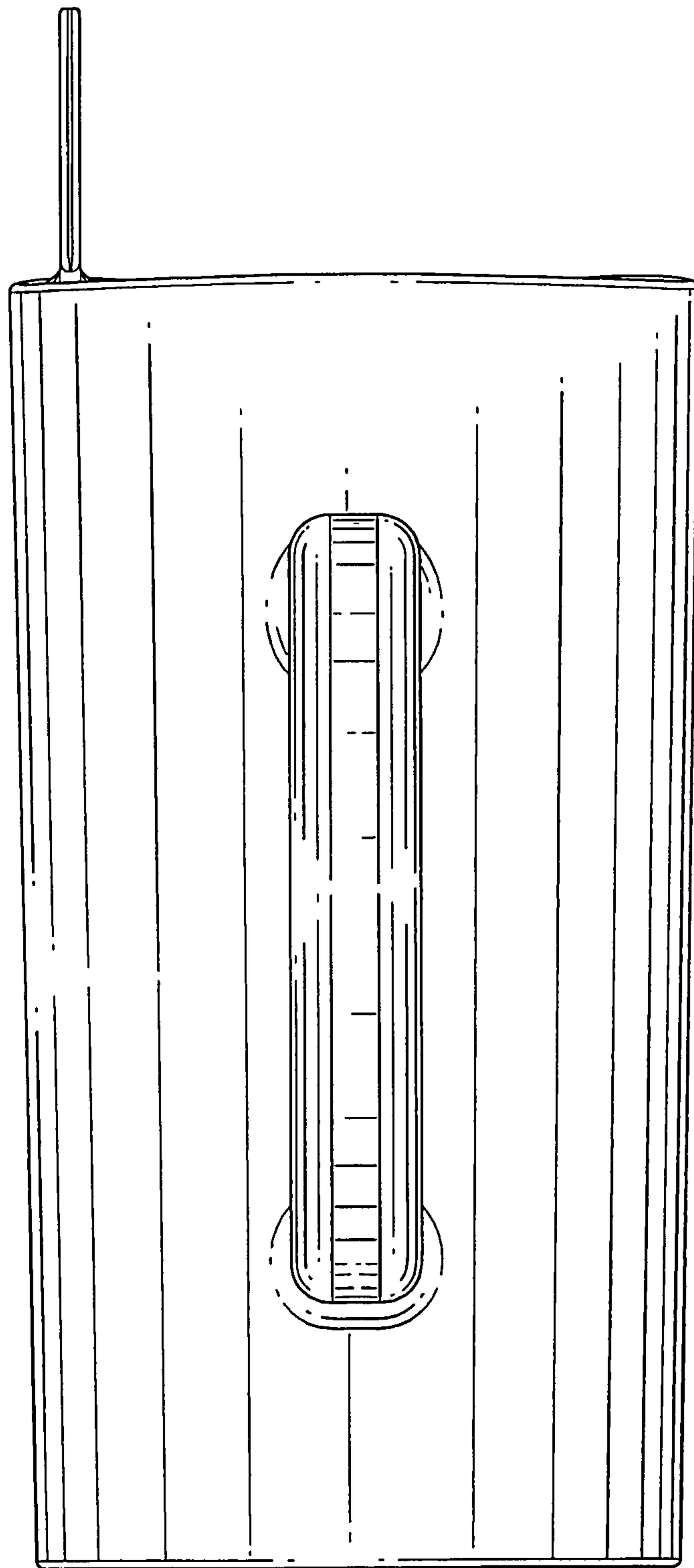


FIG. 3

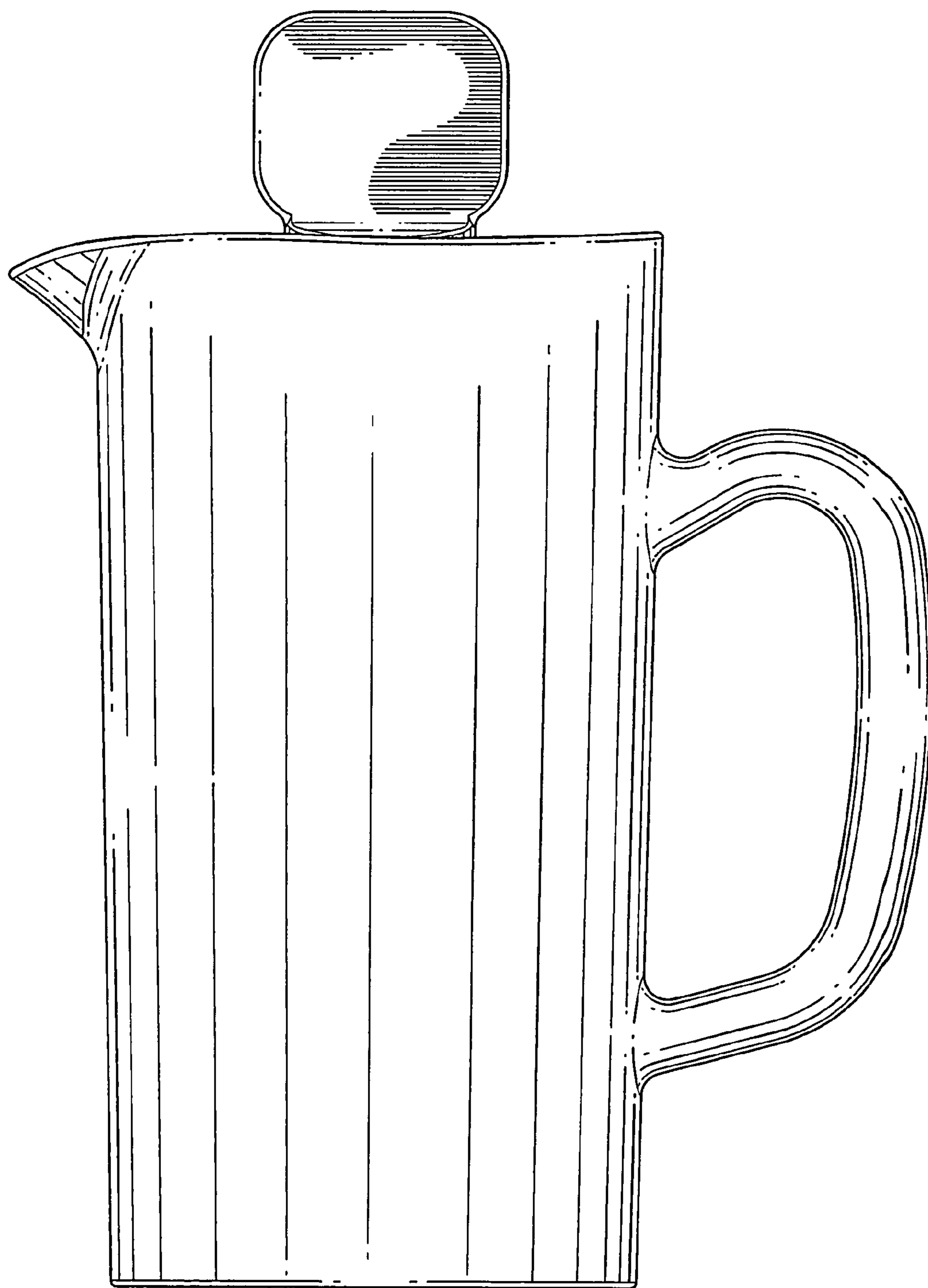


FIG. 4

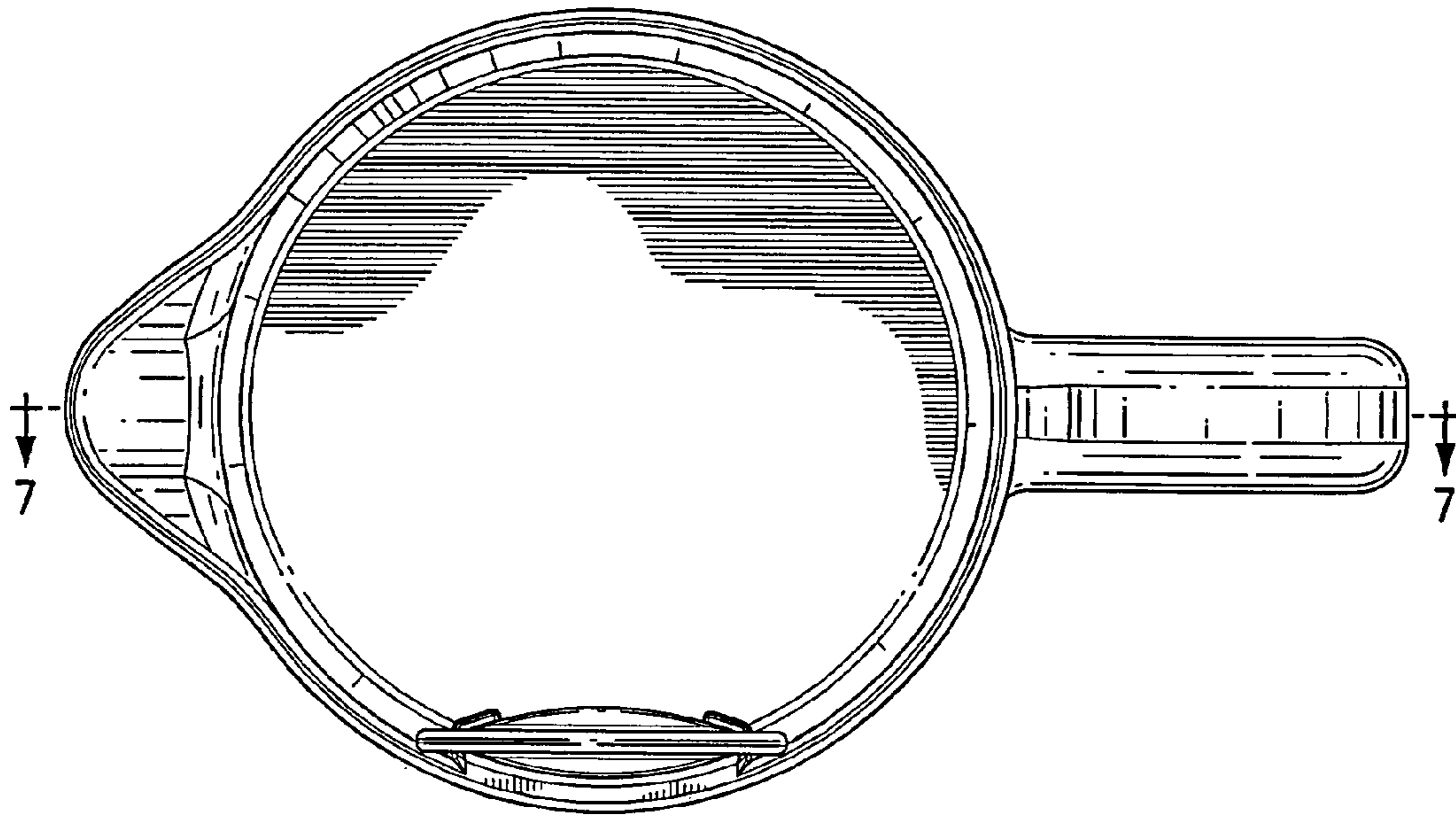


FIG. 5

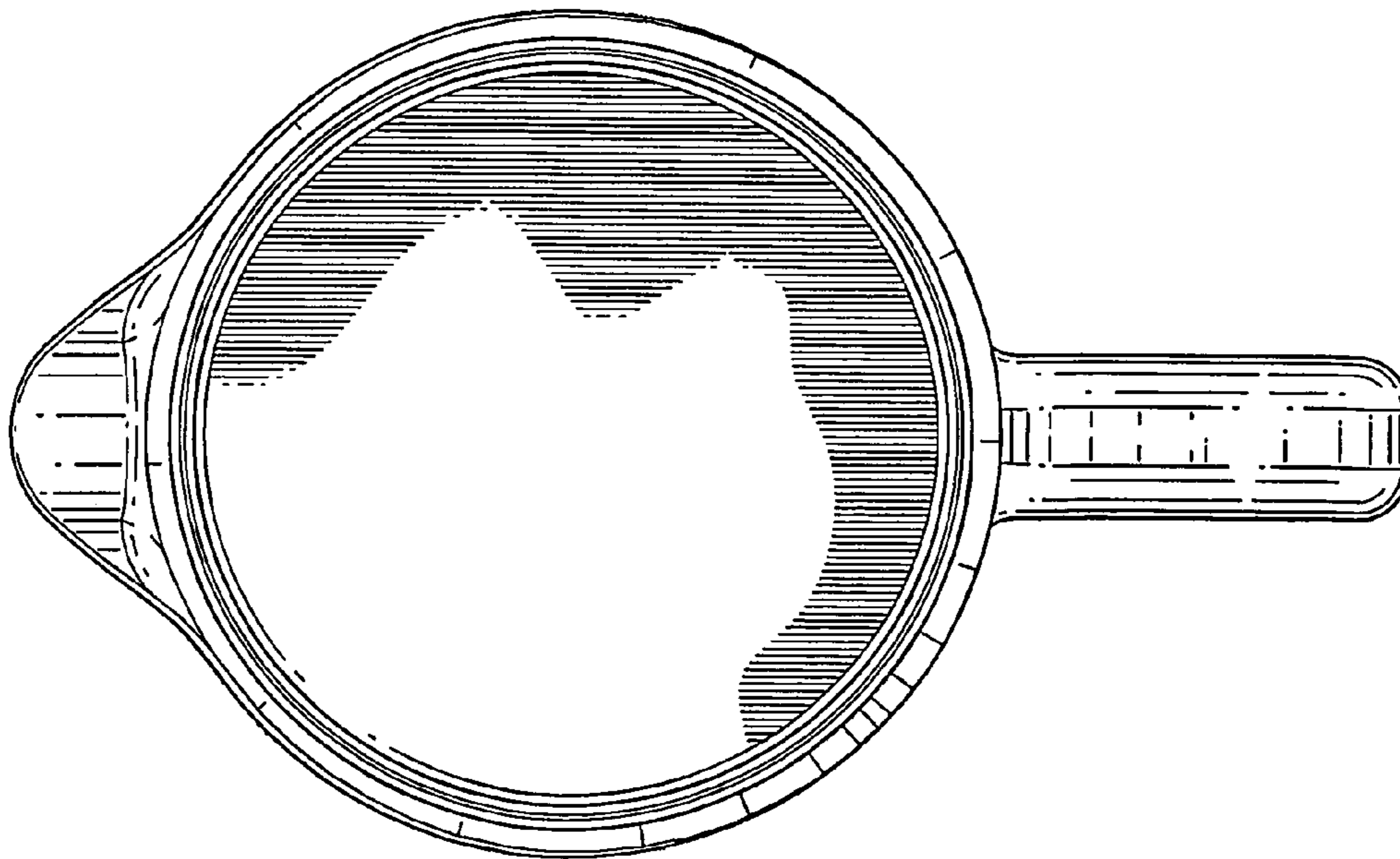


FIG. 6

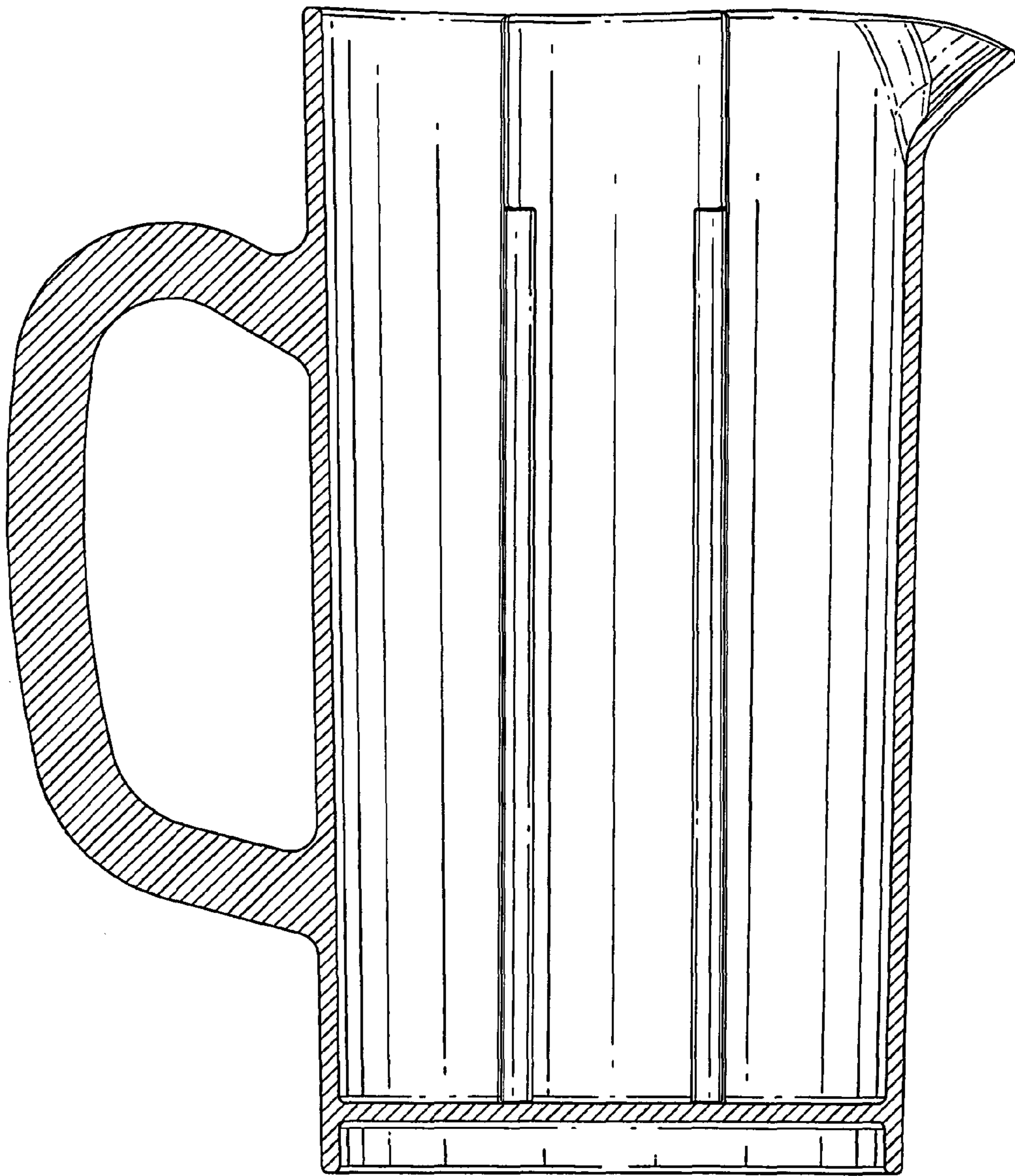


FIG. 7

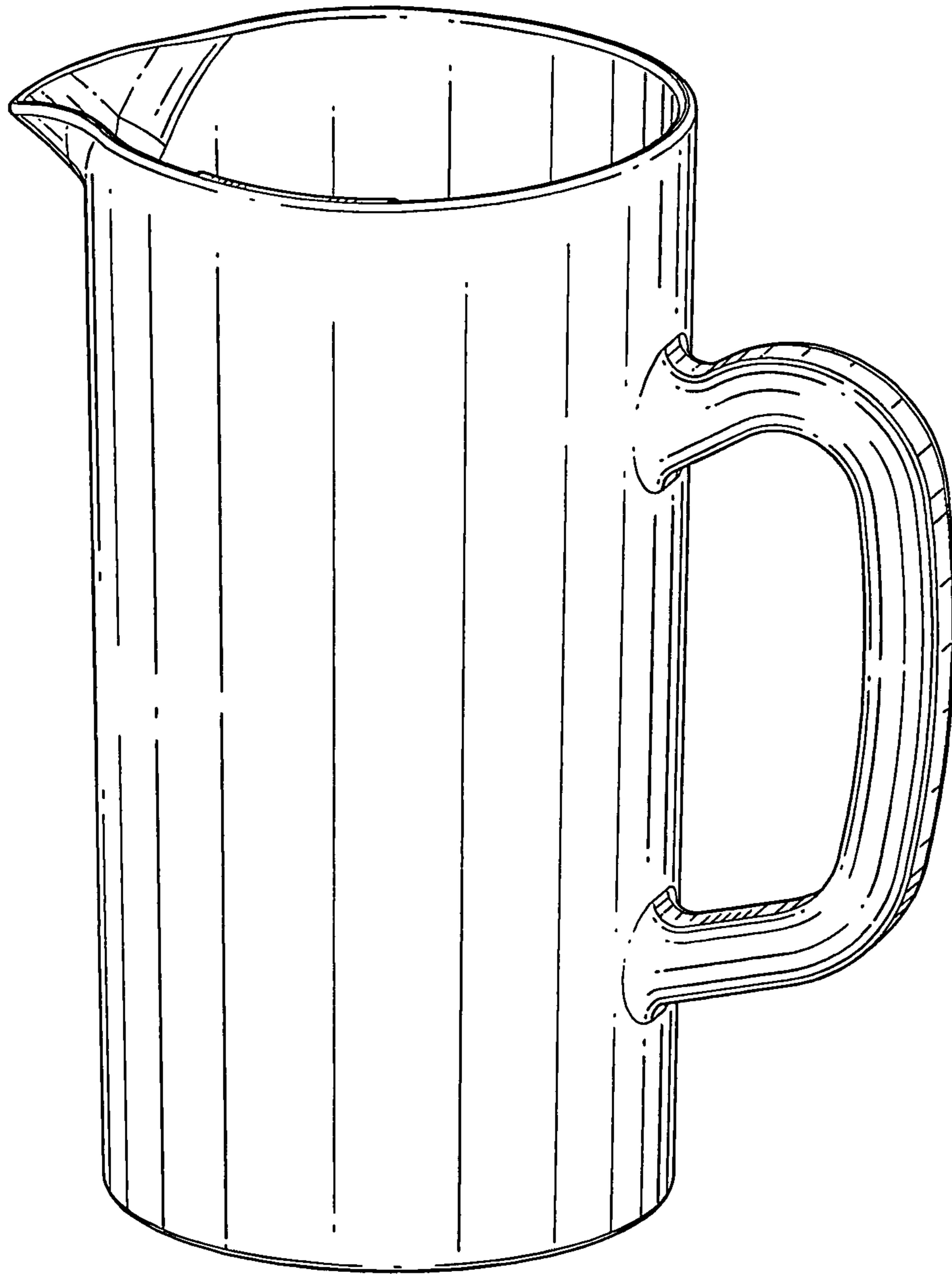


FIG. 8

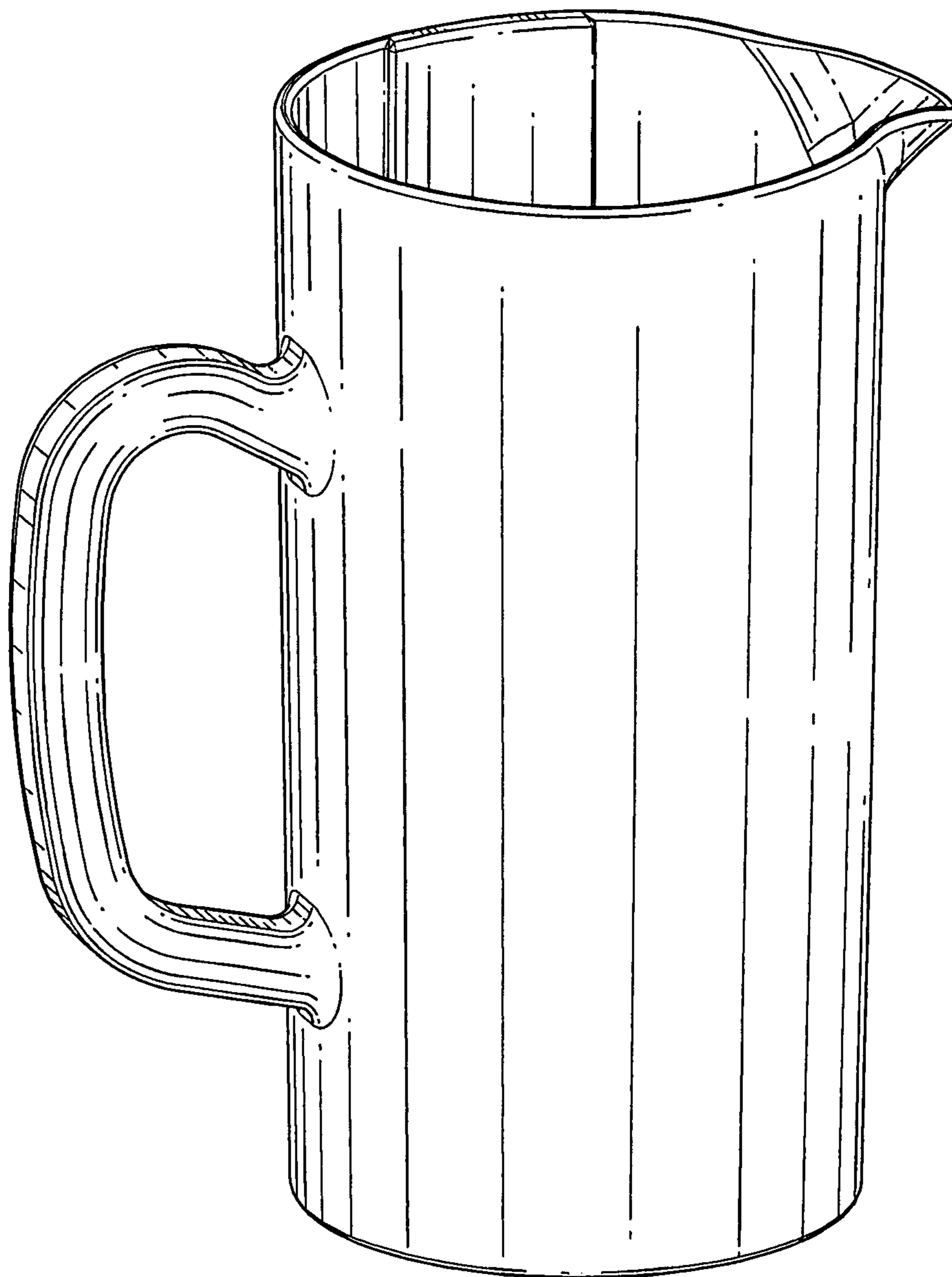


FIG. 9

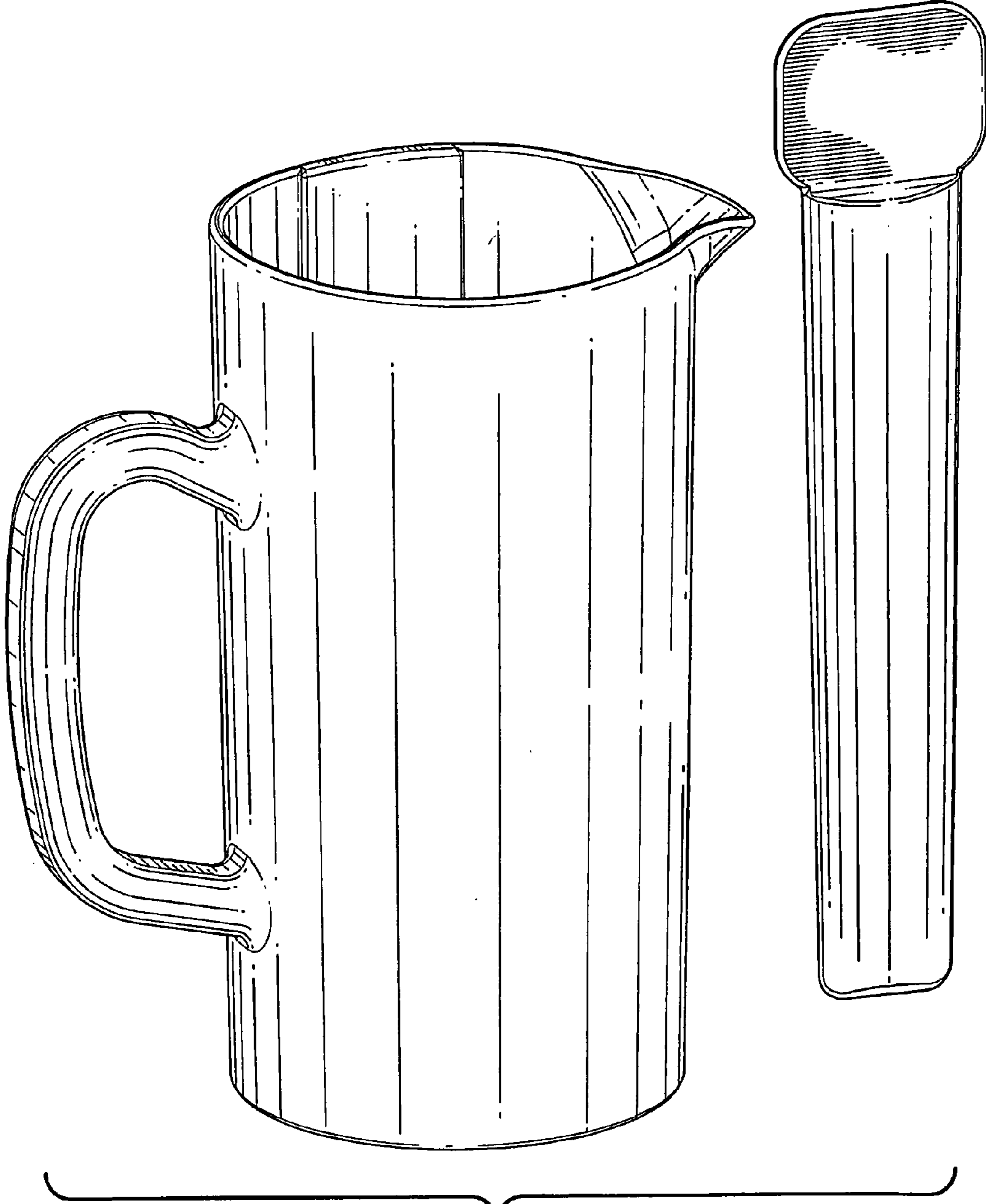


FIG. 10

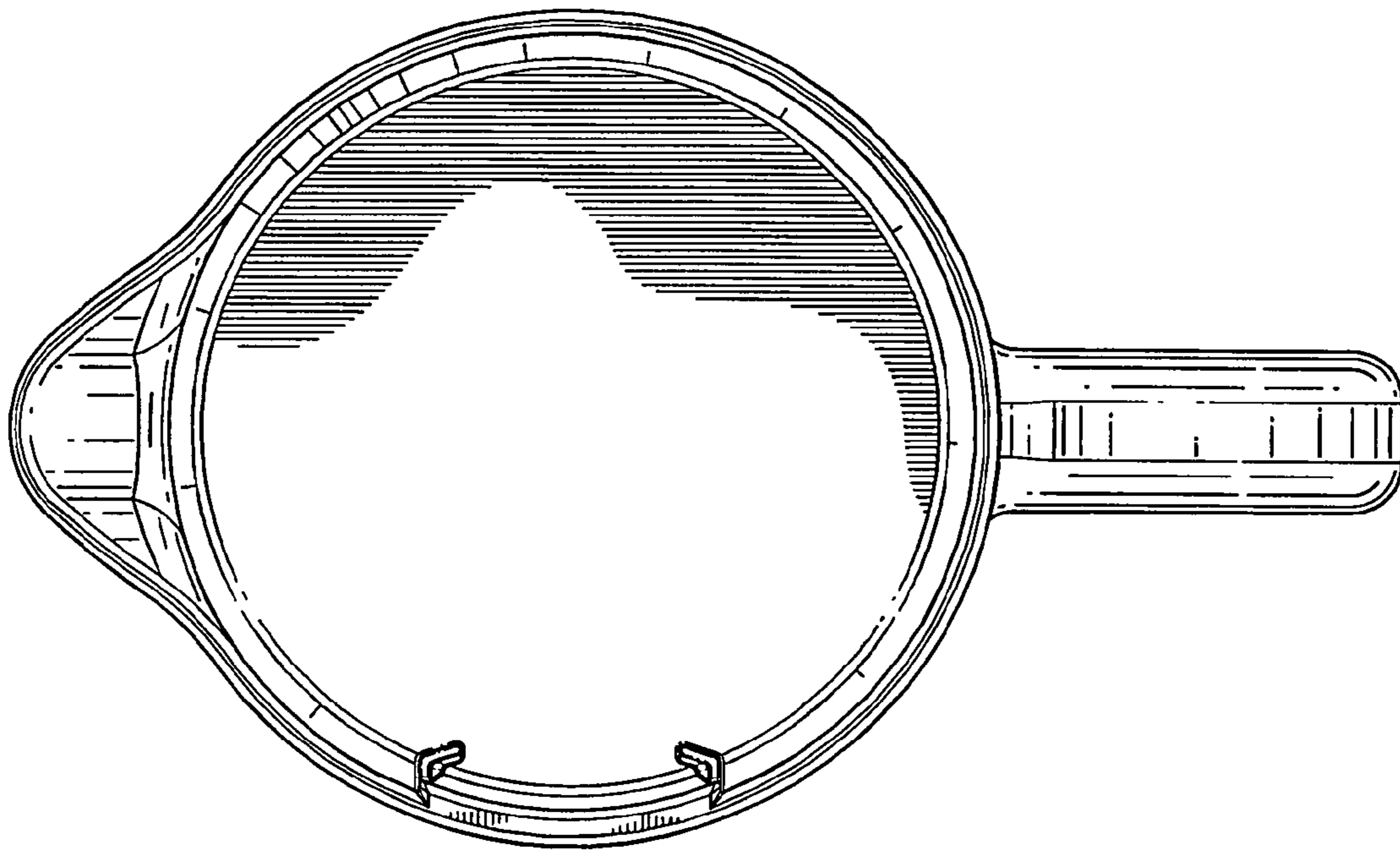


FIG. 11

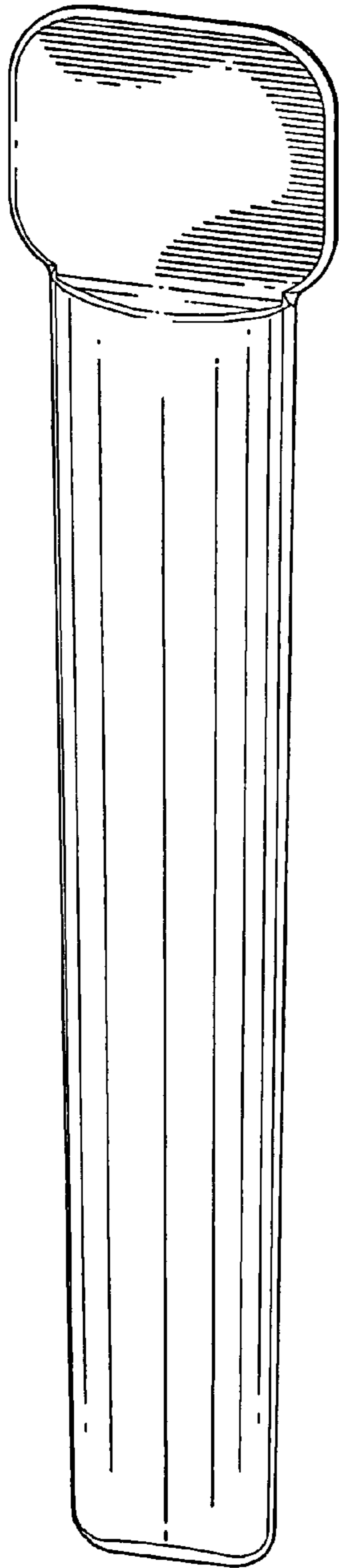


FIG. 12

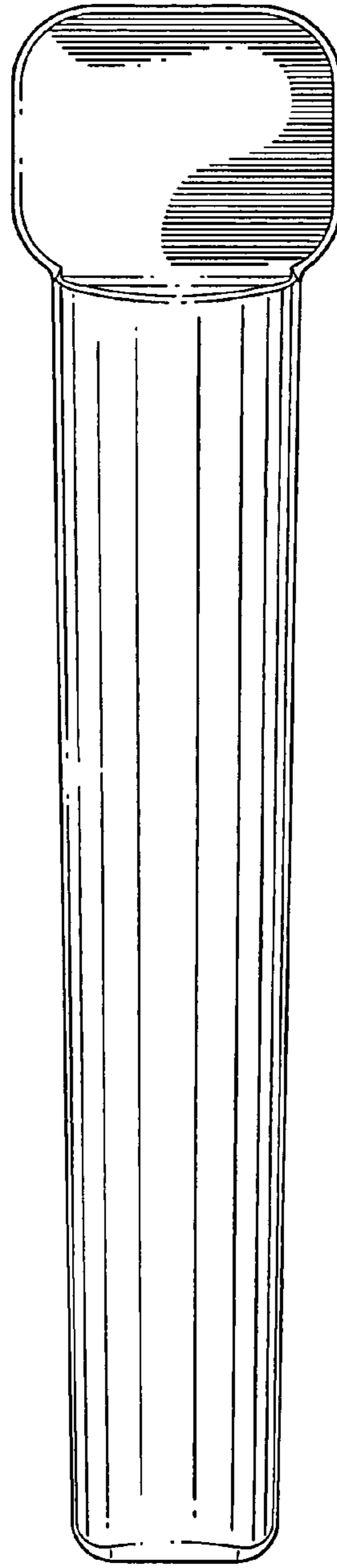


FIG. 13



FIG. 14

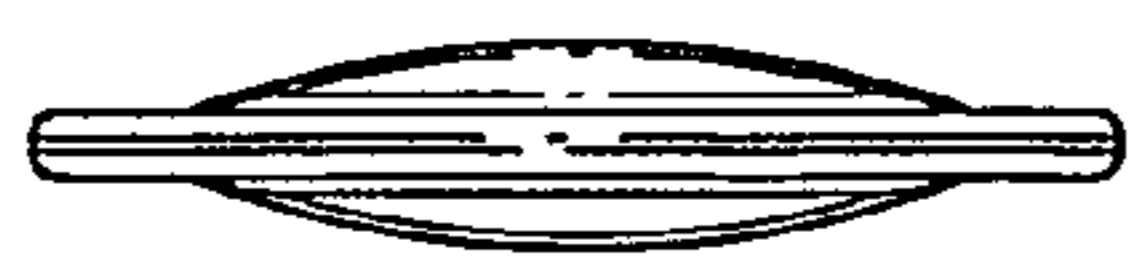


FIG. 15



FIG. 16