

US00D729565S

(12) **United States Design Patent**
Starr et al.

(10) **Patent No.:** **US D729,565 S**

(45) **Date of Patent:** **** May 19, 2015**

(54) **DISPENSER**

(71) Applicant: **Wilton Industries Inc.**, Woodbridge, IL (US)

(72) Inventors: **David Starr**, Woodbridge, IL (US); **Jeff Bull**, Naperville, IL (US); **Erin Smith**, Chicago, IL (US)

(73) Assignee: **Wilton Industries Inc.**, Woodridge, IL (US)

(**) Term: **14 Years**

(21) Appl. No.: **29/480,282**

(22) Filed: **Jan. 24, 2014**

(51) **LOC (10) Cl.** **07-01**

(52) **U.S. Cl.**
USPC **D7/301; D7/306**

(58) **Field of Classification Search**
CPC **A47J 31/00**
USPC **D7/306-311, 300, 305, 301, 313; 99/282, 279, 280, 300, 305; 222/146.5, 222/129.1**
See application file for complete search history.

(56) **References Cited**

U.S. PATENT DOCUMENTS

D98,420 S	2/1936	Deskey
D105,943 S	9/1937	Fuerst
2,782,614 A	2/1957	Currie
2,984,035 A	5/1961	Nalle, Jr.
3,095,132 A	6/1963	Hawley
3,301,459 A	1/1967	Gardner
3,349,950 A	10/1967	Wanderer
3,384,265 A	5/1968	Frank
3,557,995 A	1/1971	Mirasol, Jr. et al.
3,598,271 A	8/1971	Holley
3,606,262 A	9/1971	Van't Hoff
3,606,282 A	9/1971	Stookey
3,868,043 A	2/1975	Freemyer
3,954,178 A	5/1976	Mason, Jr.

4,060,184 A *	11/1977	O'Neil, Sr.	222/501
4,106,660 A	8/1978	Boyle	
4,121,835 A	10/1978	Garabedian	
4,187,954 A	2/1980	Striggow	
4,275,815 A	6/1981	Davis	
D271,877 S *	12/1983	Hoff	D15/81
4,441,624 A	4/1984	Sokolowski	
4,494,668 A	1/1985	Lottick	
4,589,569 A	5/1986	Clements	
4,619,372 A	10/1986	McFarland	

(Continued)

OTHER PUBLICATIONS

U.S. Appl. No. 12/723,123, filed Mar. 12, 2010, Yee et al.

Primary Examiner — Marianne Pandozzi

(74) *Attorney, Agent, or Firm* — Foley & Lardner LLP

(57) **CLAIM**

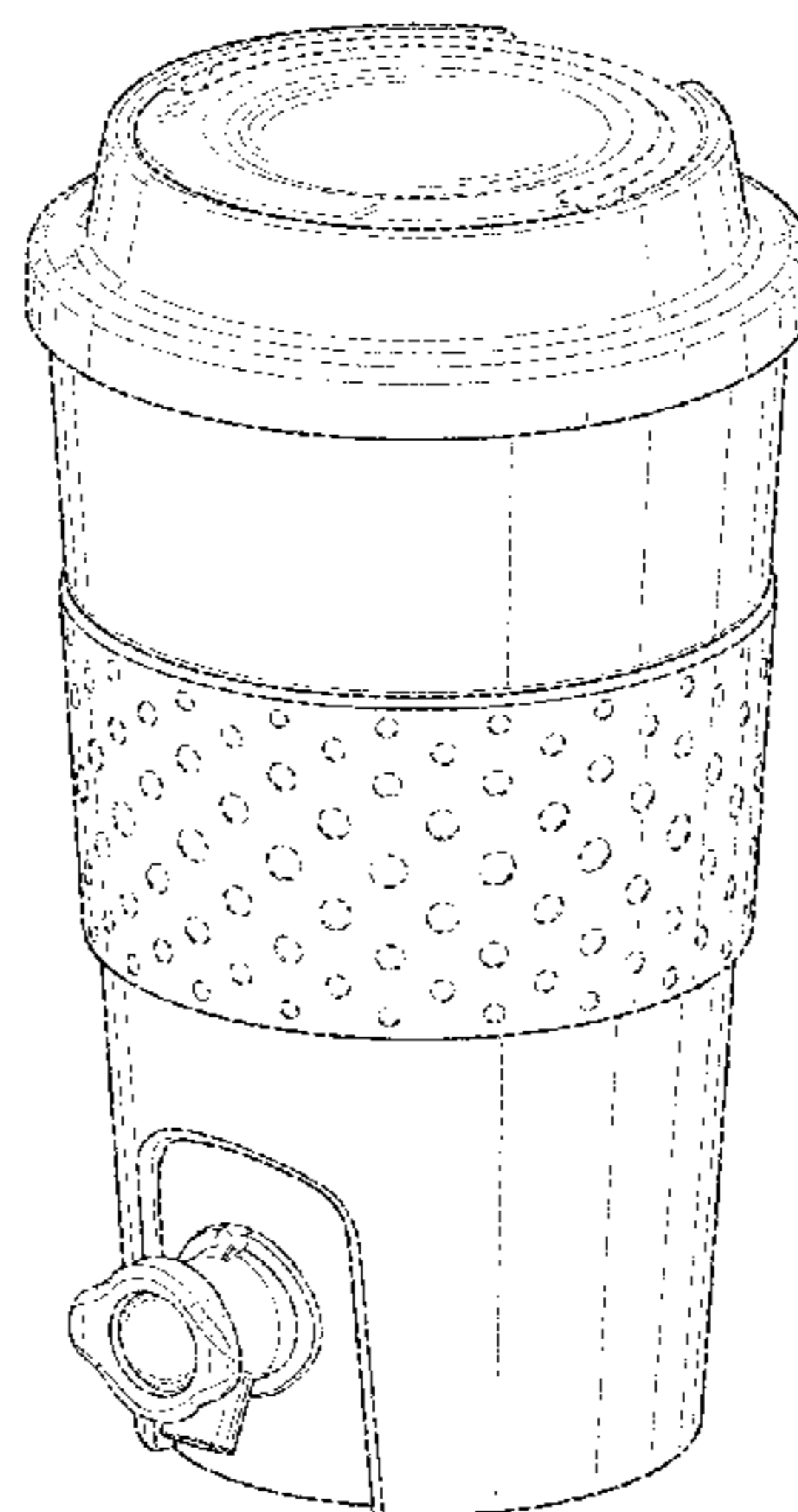
We claim the ornamental design for a dispenser, as shown and described.

DESCRIPTION

FIG. 1 is a perspective front view of the dispenser;
FIG. 2 is a first side view of the design embodiment shown in FIG. 1;
FIG. 3 is a second side view of the design embodiment shown in FIG. 1;
FIG. 4 is a third side view of the design embodiment shown in FIG. 1;
FIG. 5 is a fourth side view of the design embodiment shown in FIG. 1;
FIG. 6 is a top view of the design embodiment shown in FIG. 1; and
FIG. 7 is a bottom view of the design embodiment shown in FIG. 1.

The ornamental design which is claimed is shown in solid lines in the drawings. The broken lines in the drawings are for illustrative purposes only and form no part of the claimed design.

1 Claim, 4 Drawing Sheets



(56)

References Cited

U.S. PATENT DOCUMENTS

D287,919 S	1/1987	Clements	7,185,781 B2	3/2007	Pitts
D299,010 S	12/1988	Wall	D539,649 S	4/2007	Smith et al.
4,814,568 A	3/1989	Keefner	D539,650 S	4/2007	Smith et al.
4,852,757 A	8/1989	Gold	D540,167 S	4/2007	Smith et al.
4,986,437 A	1/1991	Farmer	D543,777 S	6/2007	Seum et al.
5,205,473 A	4/1993	Coffin	D547,605 S	7/2007	Edelstein et al.
5,222,656 A	6/1993	Carlson	7,246,716 B2	7/2007	Durdon
5,253,781 A	10/1993	Van Melle et al.	D548,012 S	8/2007	Tien
5,363,983 A	11/1994	Proshan	7,284,676 B2	10/2007	Dantani
5,366,109 A	11/1994	Proshan	D556,509 S	12/2007	Bonini
5,398,843 A	3/1995	Warden et al.	D569,246 S	5/2008	Thanisch et al.
5,454,484 A	10/1995	Chelossi	D570,213 S	6/2008	Newman
5,460,286 A	10/1995	Rush et al.	7,380,685 B2	6/2008	Simmons et al.
D369,109 S	4/1996	Proshan	D588,856 S *	3/2009	Toth et al. D7/313
5,509,568 A	4/1996	Warden et al.	D590,662 S	4/2009	Cheng
D371,936 S	7/1996	Goto et al.	D591,151 S	4/2009	Freeman
D375,649 S *	11/1996	Henninger et al. D7/301	D591,595 S	5/2009	Tedford, Jr.
D377,289 S *	1/1997	Credle, Jr. D7/301	D592,056 S	5/2009	Tedford, Jr.
5,624,053 A	4/1997	Freek et al.	7,537,136 B2	5/2009	Hechmati
D379,928 S	6/1997	Freek et al.	D593,361 S	6/2009	Hundley
D386,037 S *	11/1997	Trahan D7/301	D597,725 S	8/2009	Smeaton
5,765,716 A	6/1998	Cai et al.	D599,622 S	9/2009	Gilbert et al.
5,798,079 A	8/1998	Freek et al.	7,581,640 B2	9/2009	Lopez
5,826,786 A	10/1998	Dickert	7,591,393 B2	9/2009	Crudgington, Jr.
D402,556 S	12/1998	Frye	D601,852 S	10/2009	Newman
D412,806 S	8/1999	Pierce	D606,364 S	12/2009	Gilbert et al.
D416,757 S	11/1999	Ginuntoli	D608,147 S	1/2010	Sykes
D417,845 S	12/1999	Sadlier et al.	D610,856 S *	3/2010	Hoffman et al. D7/306
5,996,837 A	12/1999	Freek et al.	D616,241 S *	5/2010	Stein D7/301
6,068,182 A	5/2000	Tokunaga	7,717,325 B2	5/2010	Puls et al.
6,176,390 B1	1/2001	Kemp	D618,967 S	7/2010	Bodum
D437,223 S	2/2001	Coy et al.	D623,474 S	9/2010	Carlson et al.
D438,298 S	2/2001	McNutt	7,913,647 B1 *	3/2011	Martin 119/52.1
6,265,040 B1	7/2001	Neale et al.	D640,094 S	6/2011	Carlson et al.
6,286,709 B1	9/2001	Hudson	D685,599 S *	7/2013	Miller et al. D7/306
6,286,754 B1	9/2001	Stier et al.	2004/0084452 A1	5/2004	Hsieh
6,419,105 B1	7/2002	Bruce et al.	2004/0128877 A1	7/2004	Luedde
6,419,112 B1	7/2002	Bruce et al.	2005/0173443 A1	8/2005	Crudgington, Jr.
6,431,390 B1	8/2002	Waller	2005/0211713 A1	9/2005	Goeking et al.
6,523,712 B1	2/2003	McGushion	2005/0224505 A1	10/2005	Brown et al.
D475,578 S	6/2003	Hurlbut et al.	2006/0071008 A1	4/2006	Sadlier
D475,891 S	6/2003	Bin	2006/0169707 A1	8/2006	Walz et al.
6,814,253 B2	11/2004	Wong	2006/0186129 A1	8/2006	Allnutt et al.
D502,396 S	3/2005	Frisch et al.	2006/0226148 A1	10/2006	Hundley et al.
D502,837 S *	3/2005	Waugh D7/306	2006/0243734 A1	11/2006	Tedford, Jr.
6,889,859 B1	5/2005	Leon	2007/0023442 A1	2/2007	Auzenne
D509,707 S	9/2005	Tien	2007/0114236 A1	5/2007	Shiffer et al.
D512,874 S	12/2005	Poulson et al.	2007/0181591 A1	8/2007	Pierce et al.
6,991,128 B1	1/2006	Russo et al.	2008/0000921 A1	1/2008	Leon
D516,424 S	3/2006	Schweigert et al.	2008/0041862 A1	2/2008	Bal
D526,190 S	8/2006	Bolt et al.	2008/0061069 A1	3/2008	Edelstein et al.
D530,568 S	10/2006	Wingenter	2009/0050641 A1	2/2009	Ivey
D534,770 S	1/2007	Gluck	2009/0236409 A1	9/2009	Flores
D535,561 S	1/2007	Smith et al.	2009/0266829 A1	10/2009	Bailey
D536,249 S	2/2007	Smith et al.	2009/0283535 A1	11/2009	Mesalie
7,175,043 B2	2/2007	O'Neal	2009/0294459 A1	12/2009	Hovsepian et al.
			2009/0294460 A1	12/2009	Hovsepian et al.
			2010/0012657 A1	1/2010	Levey

* cited by examiner

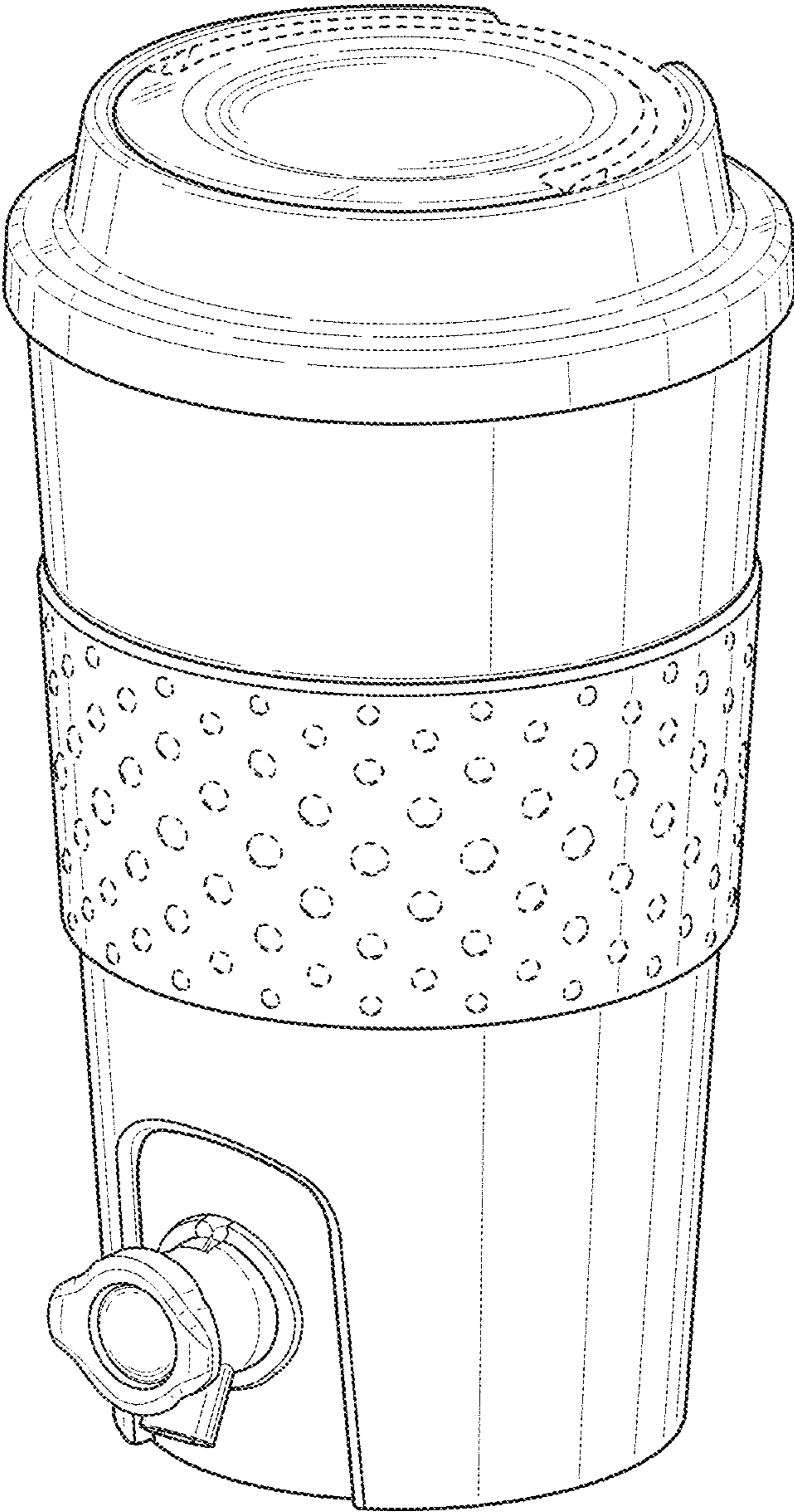


FIG. 1

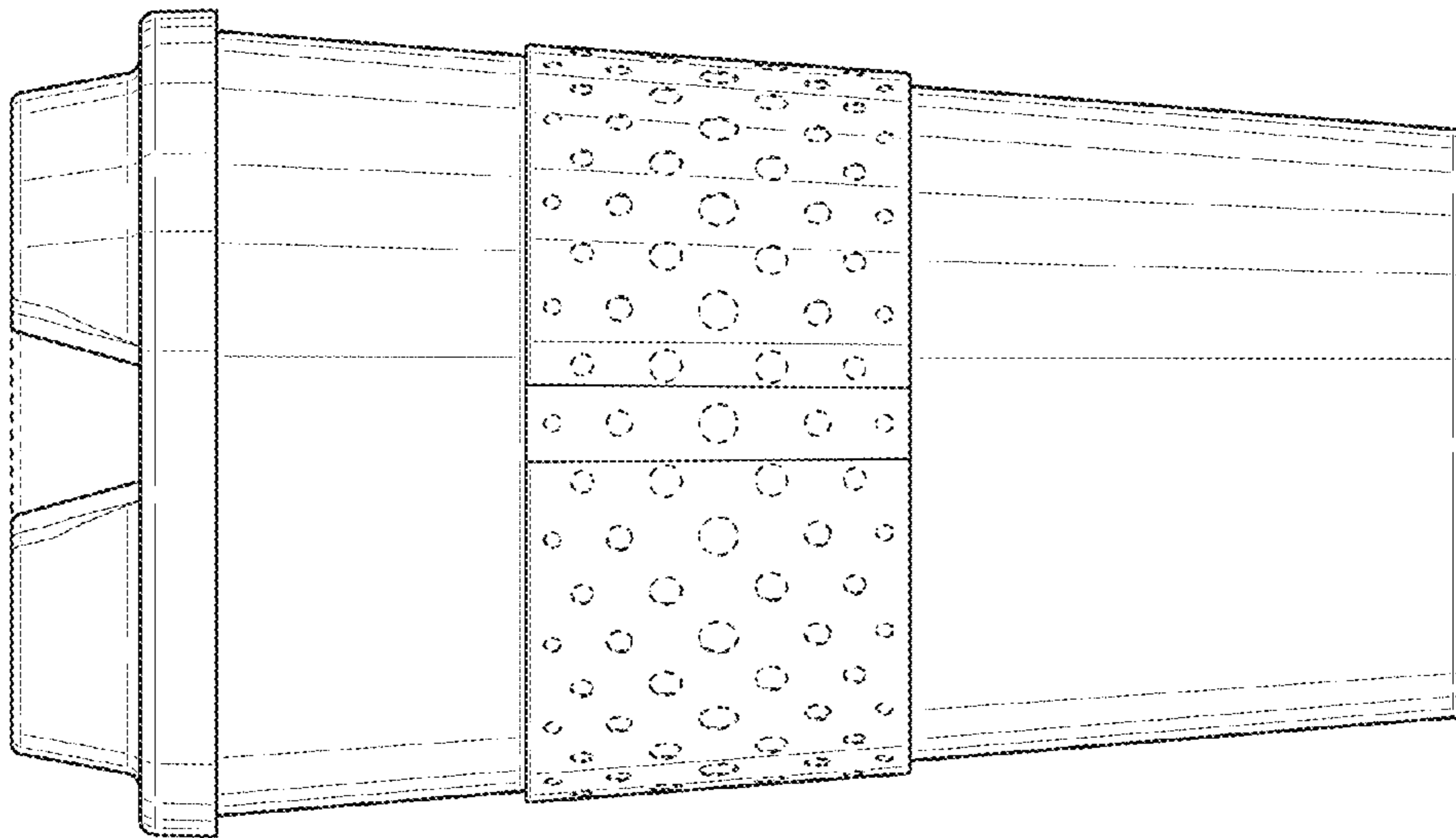


FIG. 3

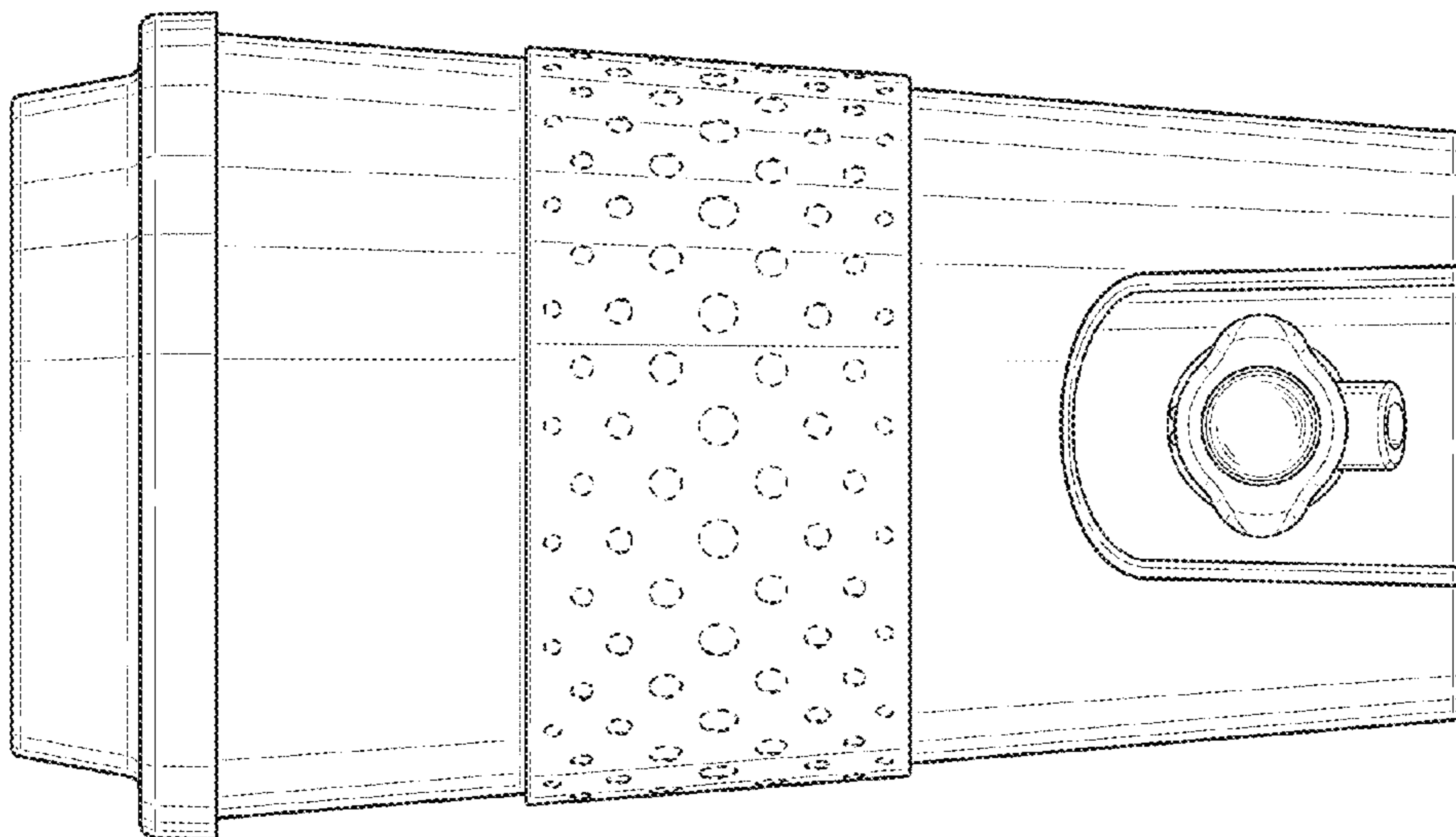


FIG. 2

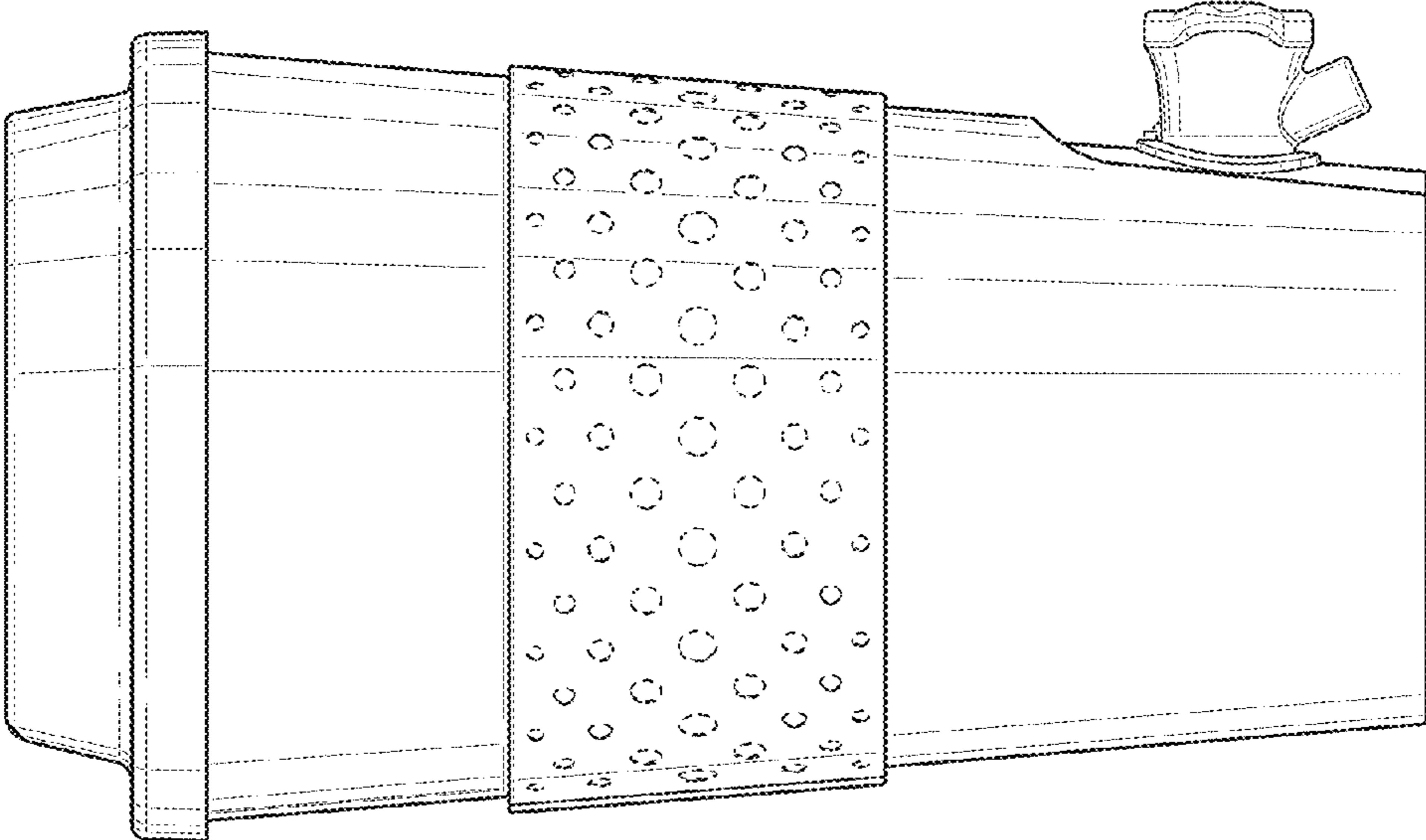


FIG. 5

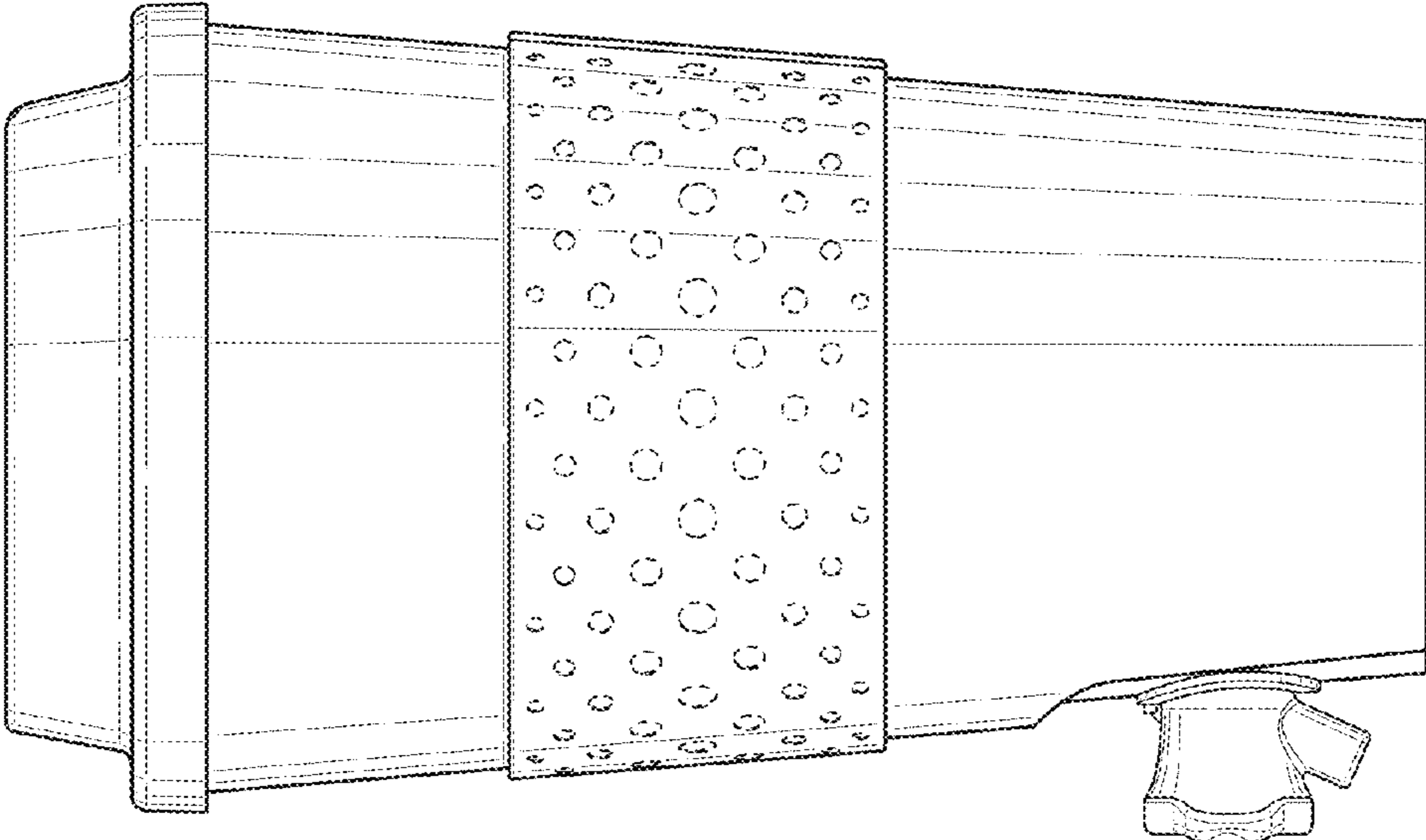


FIG. 4

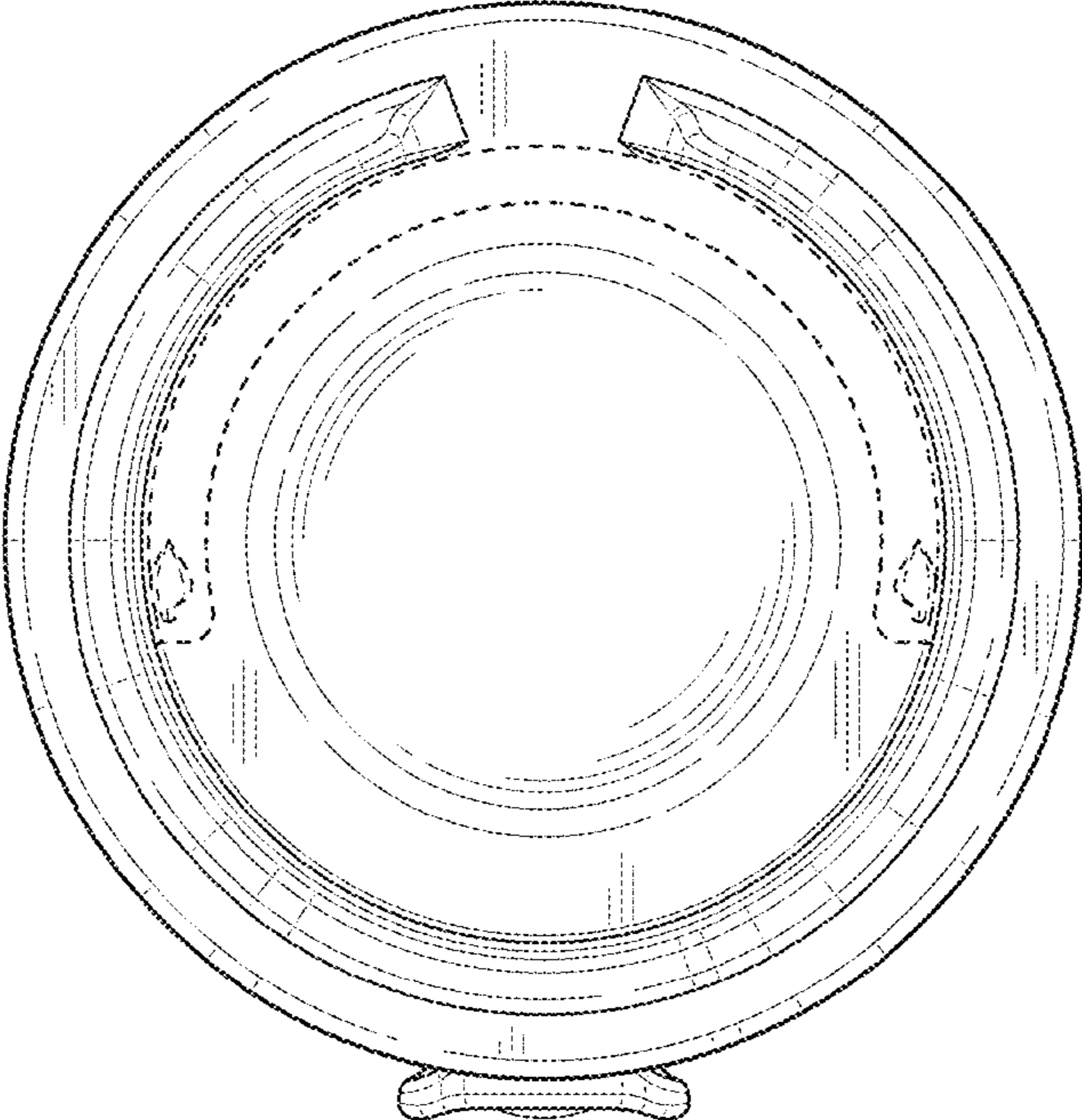


FIG. 6

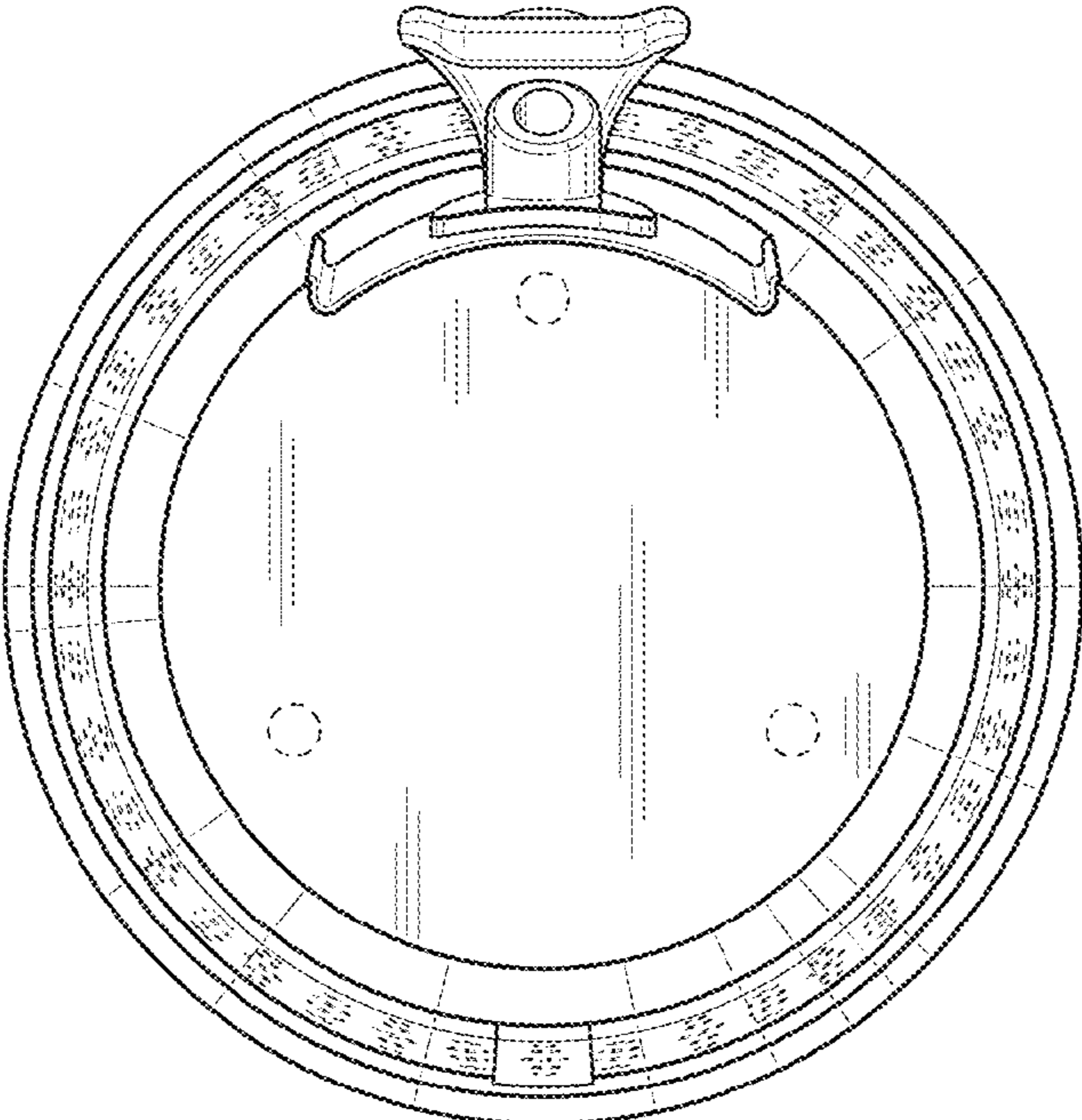


FIG. 7