



US00D729563S

(12) **United States Design Patent**  
**Kubryk**

(10) **Patent No.:** **US D729,563 S**

(45) **Date of Patent:** **\*\* May 19, 2015**

(54) **TASK CHAIR**

(71) Applicant: **Isaac Kubryk**, Lockeford, CA (US)

(72) Inventor: **Isaac Kubryk**, Lockeford, CA (US)

(73) Assignee: **Global Allies**, Lockeford, CA (US)

(\*\*) Term: **14 Years**

(21) Appl. No.: **29/483,518**

(22) Filed: **Feb. 28, 2014**

(51) **LOC (10) Cl.** ..... **06-01**

(52) **U.S. Cl.**  
USPC ..... **D6/716**

(58) **Field of Classification Search**  
CPC ..... A47C 4/02; A47C 4/03; A47C 7/18;  
A47C 3/12; A47C 5/12; A47C 7/54  
USPC ..... D6/334-336, 364, 365, 366, 371-375,  
D6/379, 380, 716, 716.1, 716.2, 716.4  
See application file for complete search history.

(56) **References Cited**

**U.S. PATENT DOCUMENTS**

2,831,534	A	*	4/1958	Thaden	.....	A47C 5/12
2,989,112	A	*	6/1961	Sonnleitner	.....	A47C 3/12
D195,401	S	*	6/1963	Johnson	.....	D6/366
D209,743	S	*	1/1968	Mulhauser, Jr.	.....	D6/366
D227,830	S	*	7/1973	Klose	.....	D6/366
D233,809	S	*	12/1974	Platner	.....	D6/366

D281,840	S	*	12/1985	Ogg	.....	D6/366
D288,388	S	*	2/1987	Ochsner	.....	D6/366
D297,986	S	*	10/1988	Jenkins	.....	D6/366
D300,483	S	*	4/1989	Jenkins	.....	D6/366
D327,585	S	*	7/1992	Hollington	.....	D6/366
D414,631	S	*	10/1999	Zaidman	.....	D6/716
D603,177	S		11/2009	Kubryk		
D647,715	S		11/2011	Kubryk		
D648,158	S		11/2011	Kubryk		
D664,381	S		7/2012	Kubryk		
D683,171	S		5/2013	Kubryk		
D683,570	S		6/2013	Kubryk		

\* cited by examiner

*Primary Examiner* — Mimoso De

(74) *Attorney, Agent, or Firm* — Audrey A. Millemann;  
Weintraub Tobin

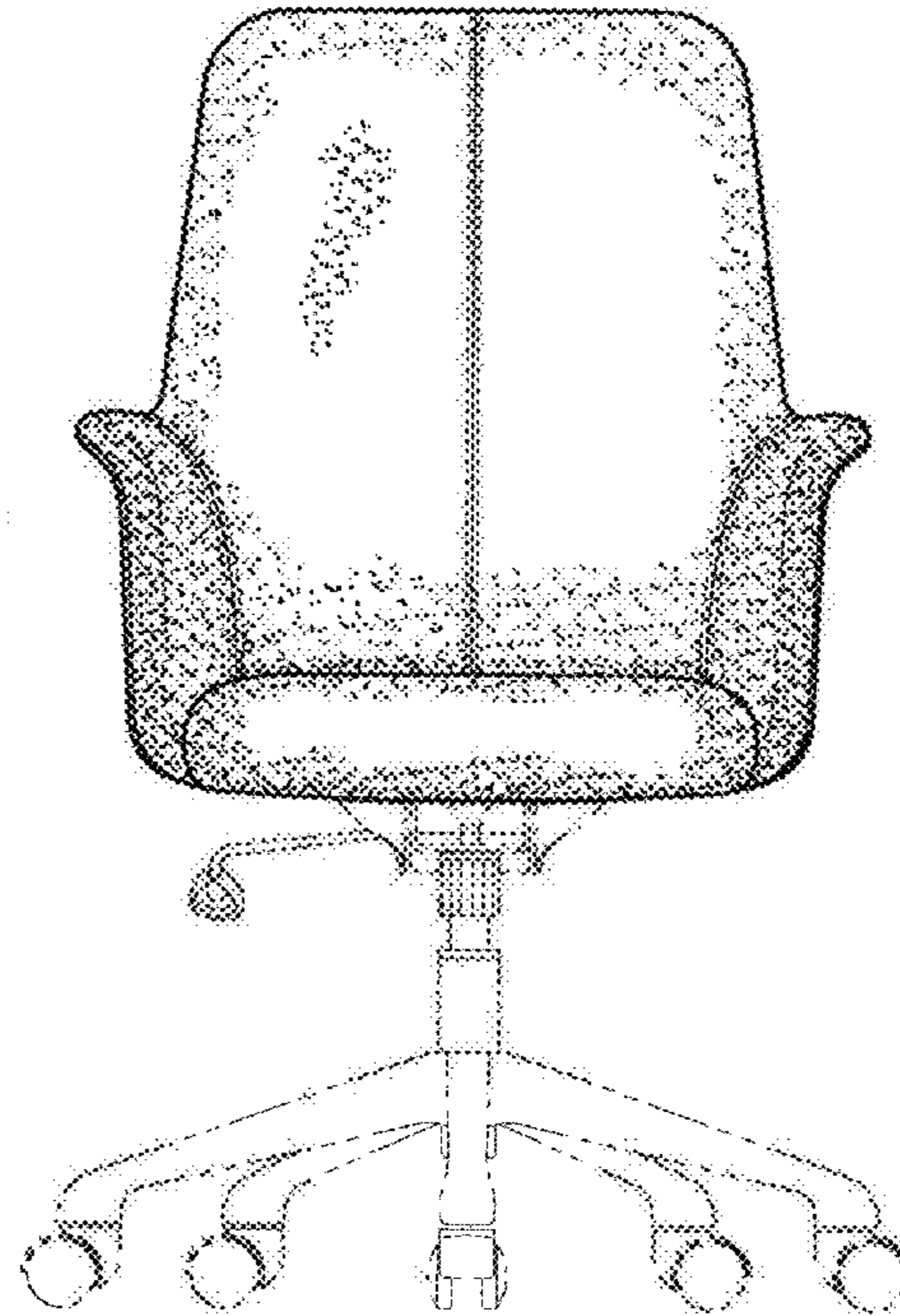
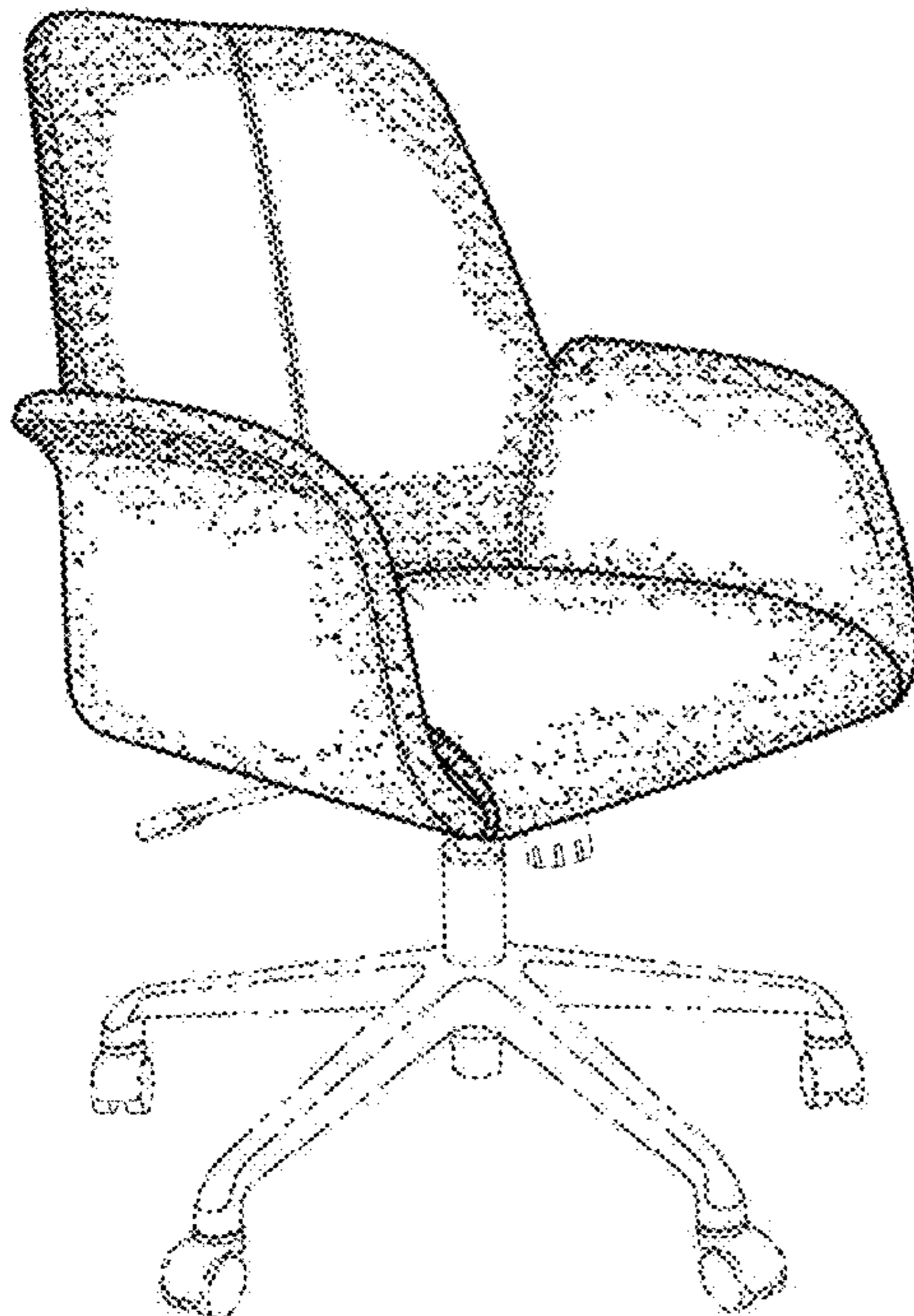
(57) **CLAIM**

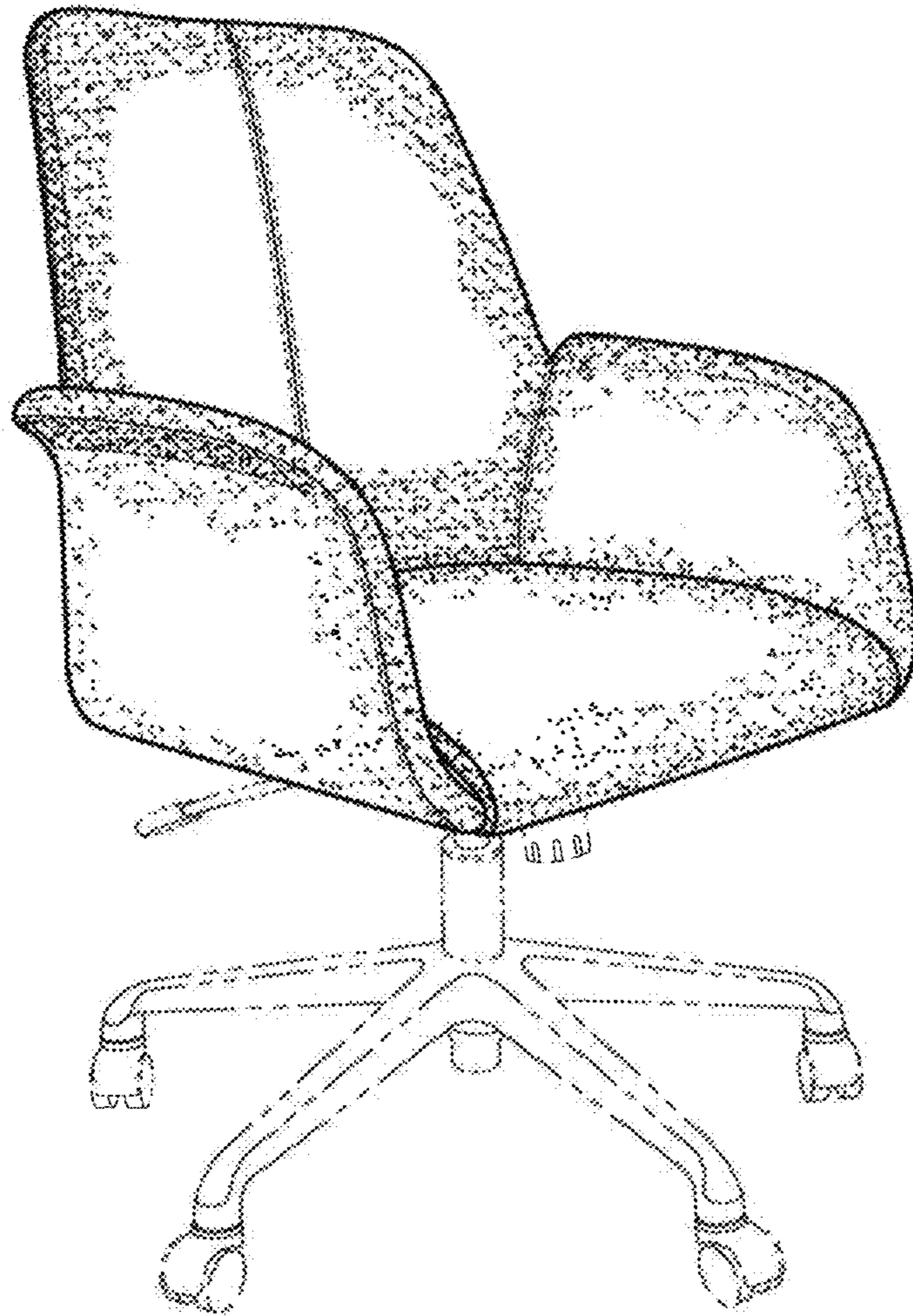
The ornamental design for a task chair, as shown and described.

**DESCRIPTION**

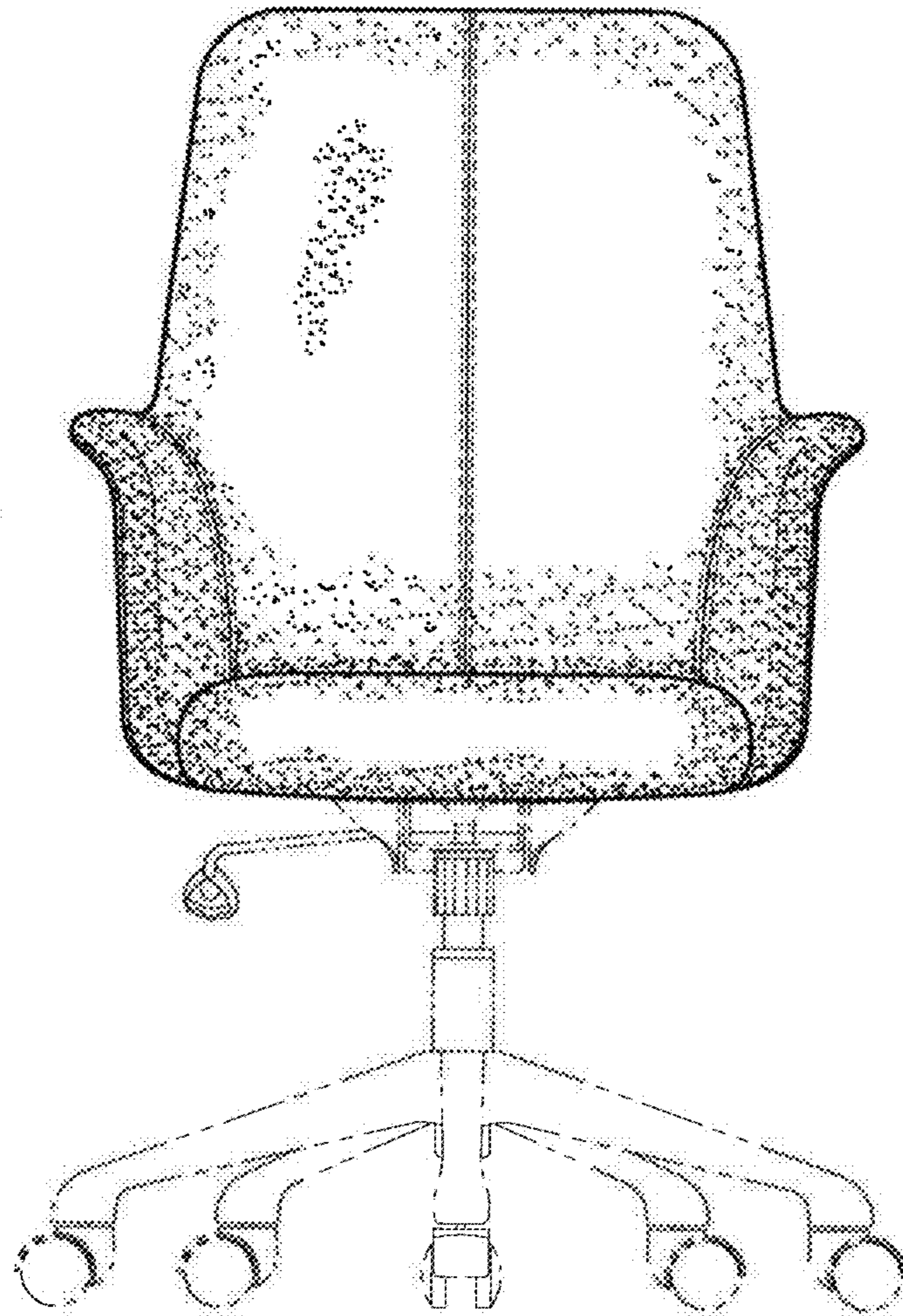
FIG. 1 is a perspective view of a task chair, looking toward the right front corner, showing my new design;  
FIG. 2 is a front view thereof;  
FIG. 3 is a right side view thereof;  
FIG. 4 is a back view thereof;  
FIG. 5 is a top view thereof; and,  
FIG. 6 is a bottom view thereof.  
The broken lines shown in the drawing are for illustrative purposes only and form no part of the claimed design.

**1 Claim, 5 Drawing Sheets**

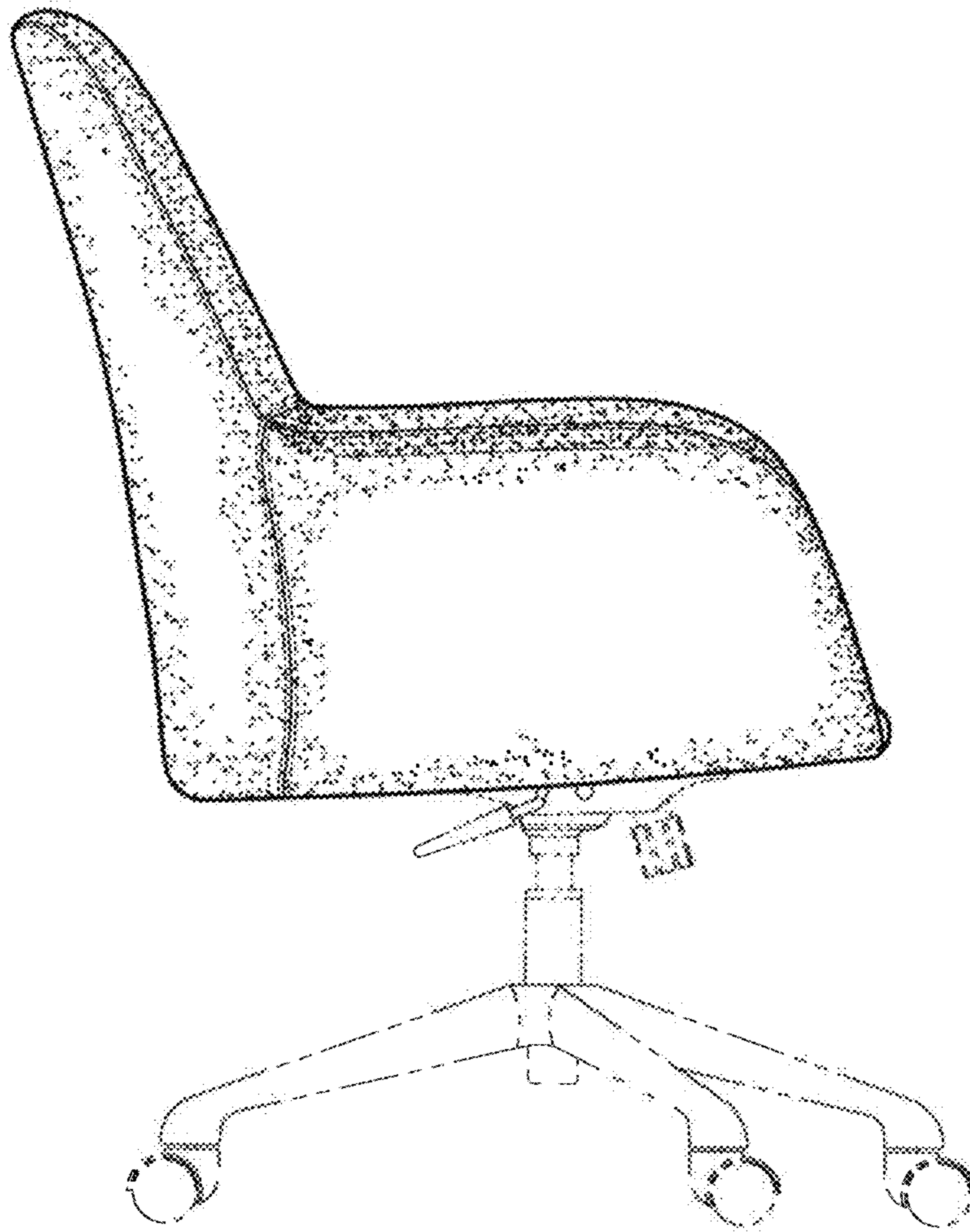




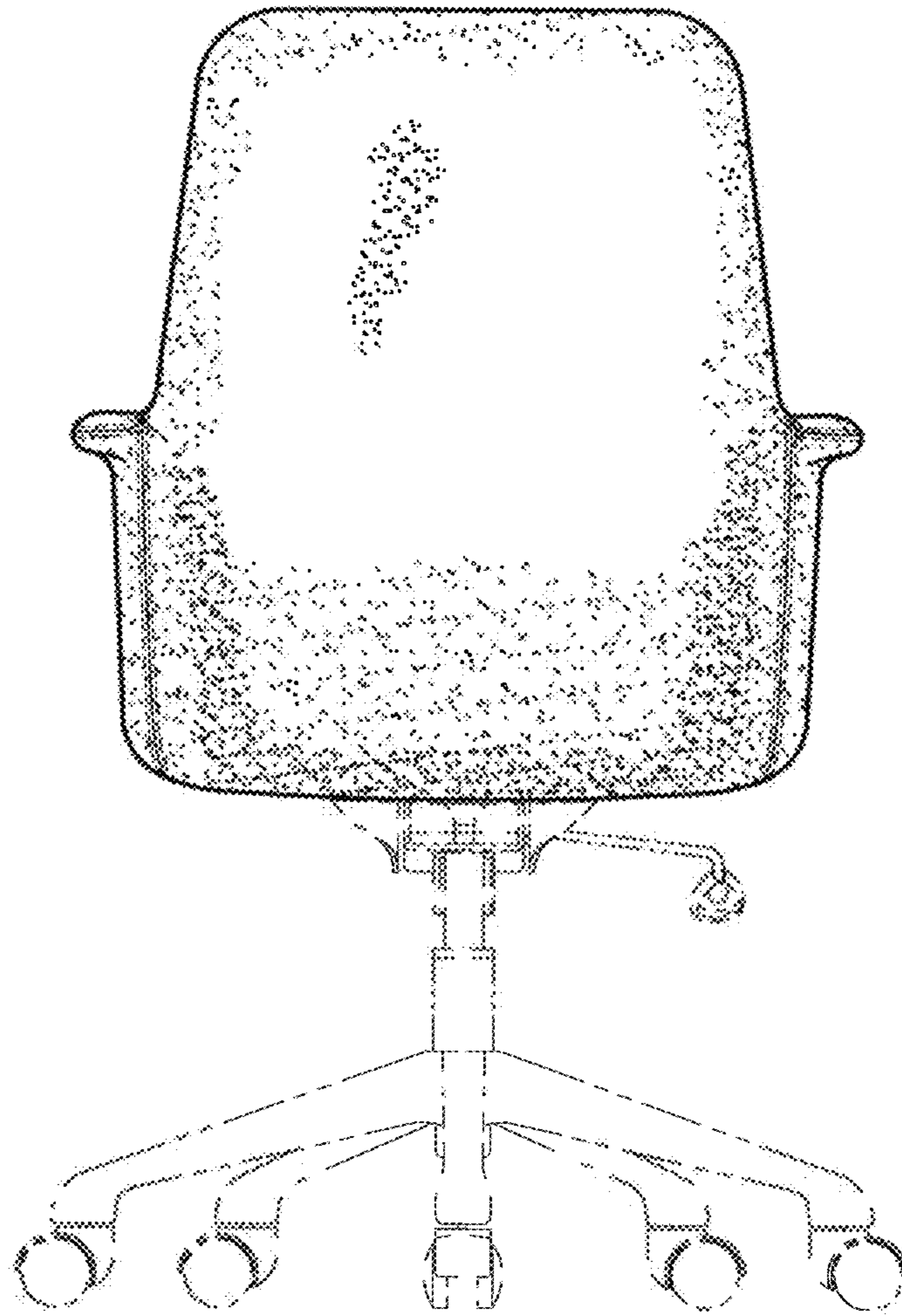
**FIG. 1**



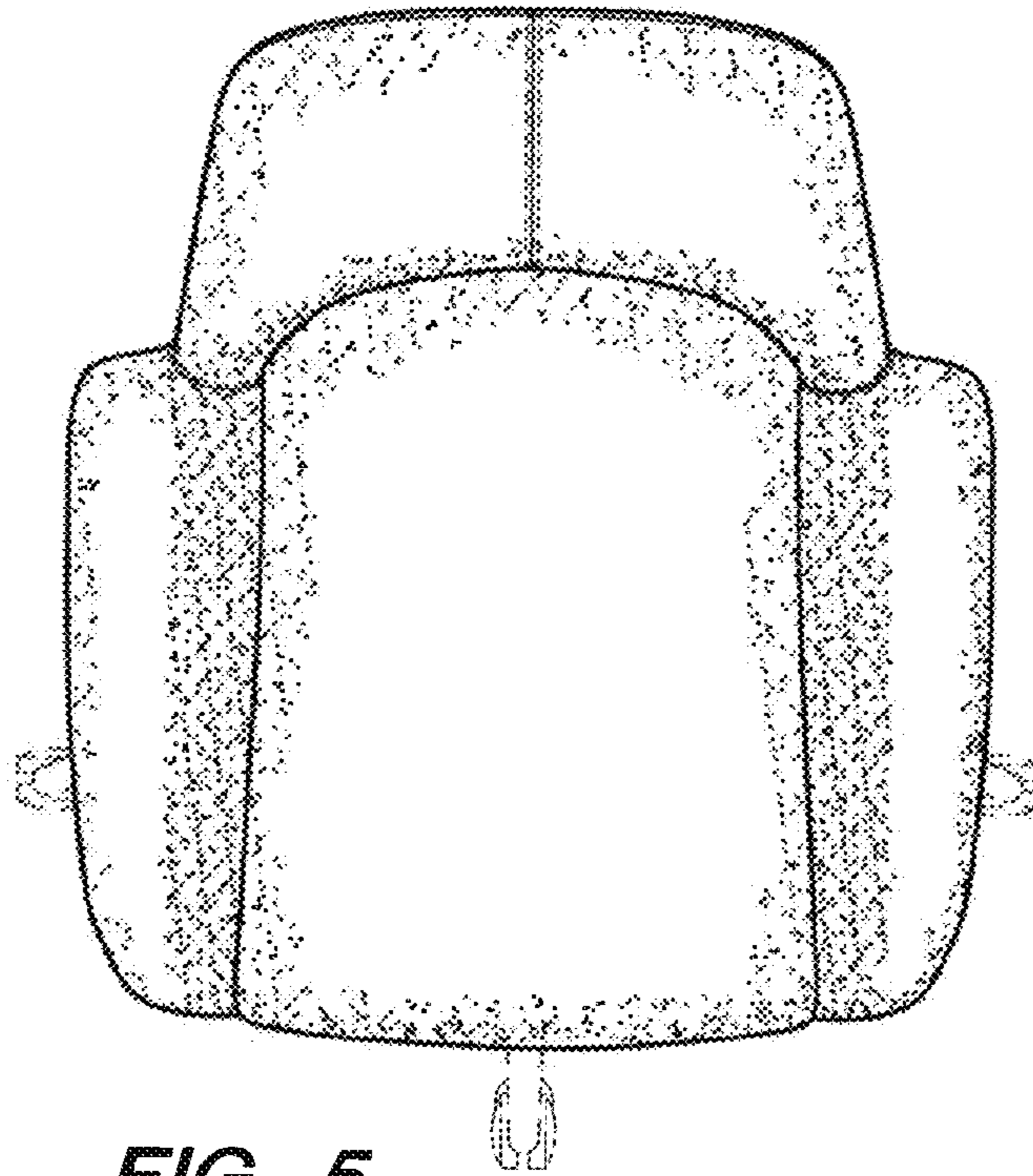
**FIG. 2**



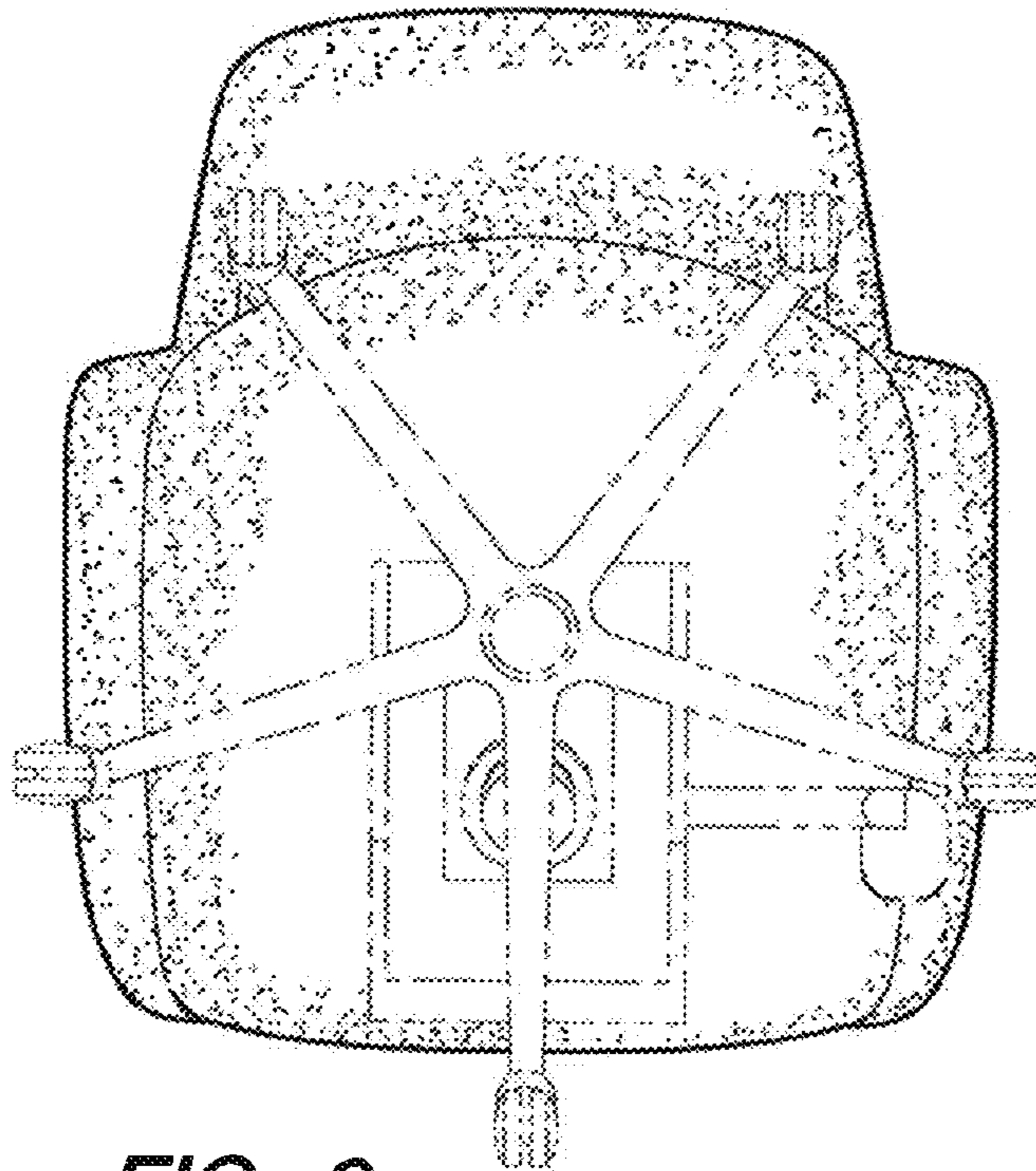
**FIG. 3**



**FIG. 4**



**FIG. 5**



**FIG. 6**