



US00D729562S

(12) **United States Design Patent**
Kubryk

(10) **Patent No.:** **US D729,562 S**

(45) **Date of Patent:** **** May 19, 2015**

(54) **TASK CHAIR**

(71) Applicant: **Isaac Kubryk**, Lockeford, CA (US)

(72) Inventor: **Isaac Kubryk**, Lockeford, CA (US)

(73) Assignee: **Global Allies**, Lockeford, CA (US)

(**) Term: **14 Years**

(21) Appl. No.: **29/482,266**

(22) Filed: **Feb. 17, 2014**

(51) **LOC (10) Cl.** **06-01**

(52) **U.S. Cl.**

USPC **D6/716**

(58) **Field of Classification Search**

CPC A47C 4/02; A47C 4/03; A47C 7/18;
A47C 4/028

USPC D6/334–336, 364, 365, 366, 374, 375,
D6/716, 716.1, 716.2, 716.3, 716.4

See application file for complete search history.

(56) **References Cited**

U.S. PATENT DOCUMENTS

D178,888 S *	10/1956	Keal	D6/334
D187,525 S *	3/1960	Ihreborn	D6/334
D196,721 S *	10/1963	Johnson	D6/366
3,139,307 A *	6/1964	Hawley et al.	A47C 4/02
D204,257 S *	4/1966	Pollock	D6/366
3,281,185 A *	10/1966	Albinson et al.	A47C 7/18
D206,713 S *	1/1967	Durko	D6/334

D245,378 S *	8/1977	Roericht	D6/366
D254,104 S *	2/1980	Wilson	D6/366
D275,341 S *	9/1984	Dunbar et al.	D6/366
D654,732 S	2/2012	Kubryk		
D698,191 S	1/2014	Kubryk		

OTHER PUBLICATIONS

U.S. Appl. No. 29/481,892, Kubryk.

U.S. Appl. No. 29/482,273, Kubryk.

* cited by examiner

Primary Examiner — Mimoso De

(74) *Attorney, Agent, or Firm* — Audrey A. Millemann;
Weintraub Tobin

(57) **CLAIM**

The ornamental design for a task chair, as shown and described.

DESCRIPTION

FIG. 1 is a perspective view of a task chair, looking toward the right front corner, showing my new design;

FIG. 2 is a front view thereof;

FIG. 3 is a right side view thereof;

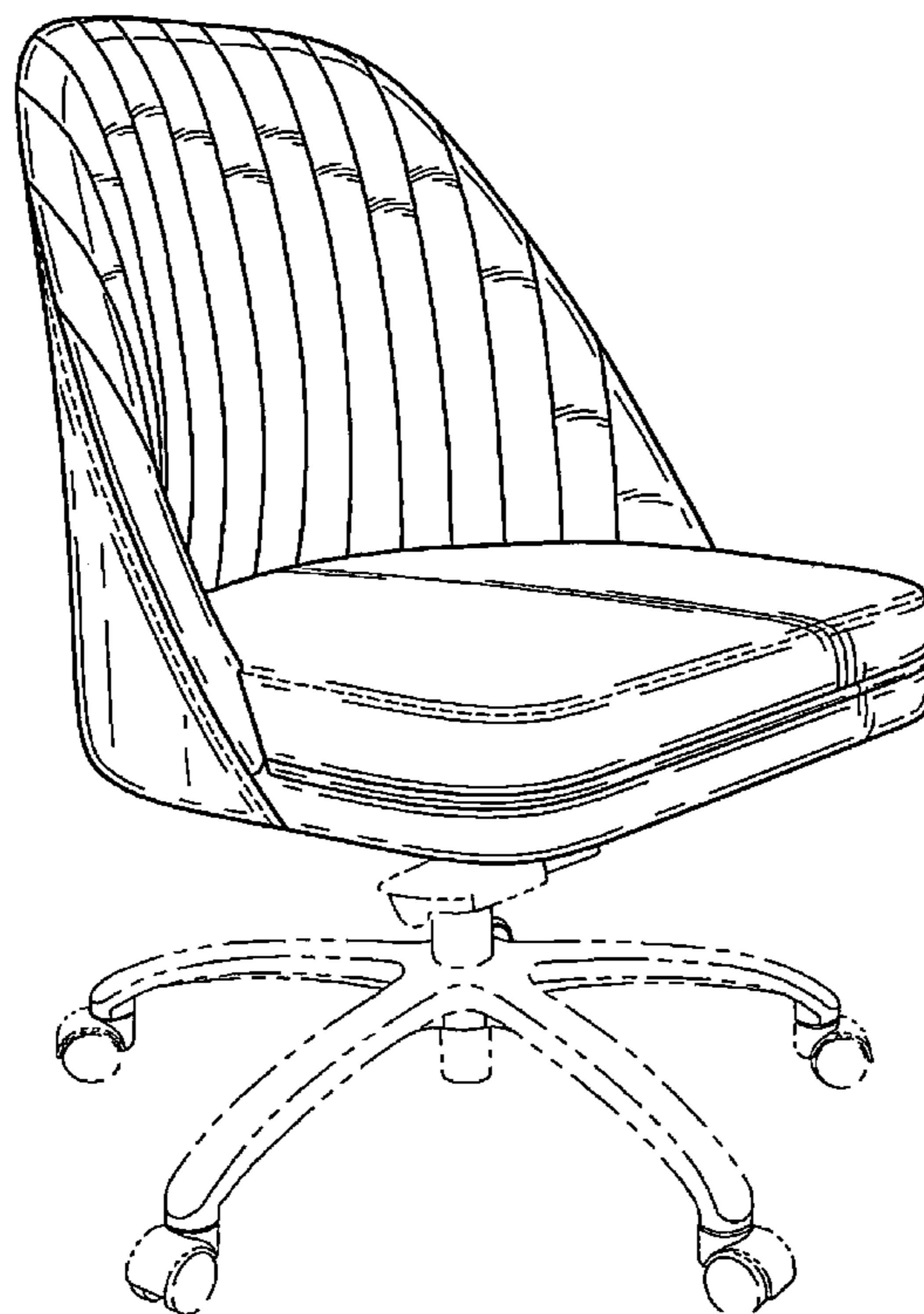
FIG. 4 is a back view thereof;

FIG. 5 is a top view thereof; and,

FIG. 6 is a bottom view thereof.

The broken lines shown in the drawing are for illustrative purposes only and form no part of the claimed design.

1 Claim, 6 Drawing Sheets



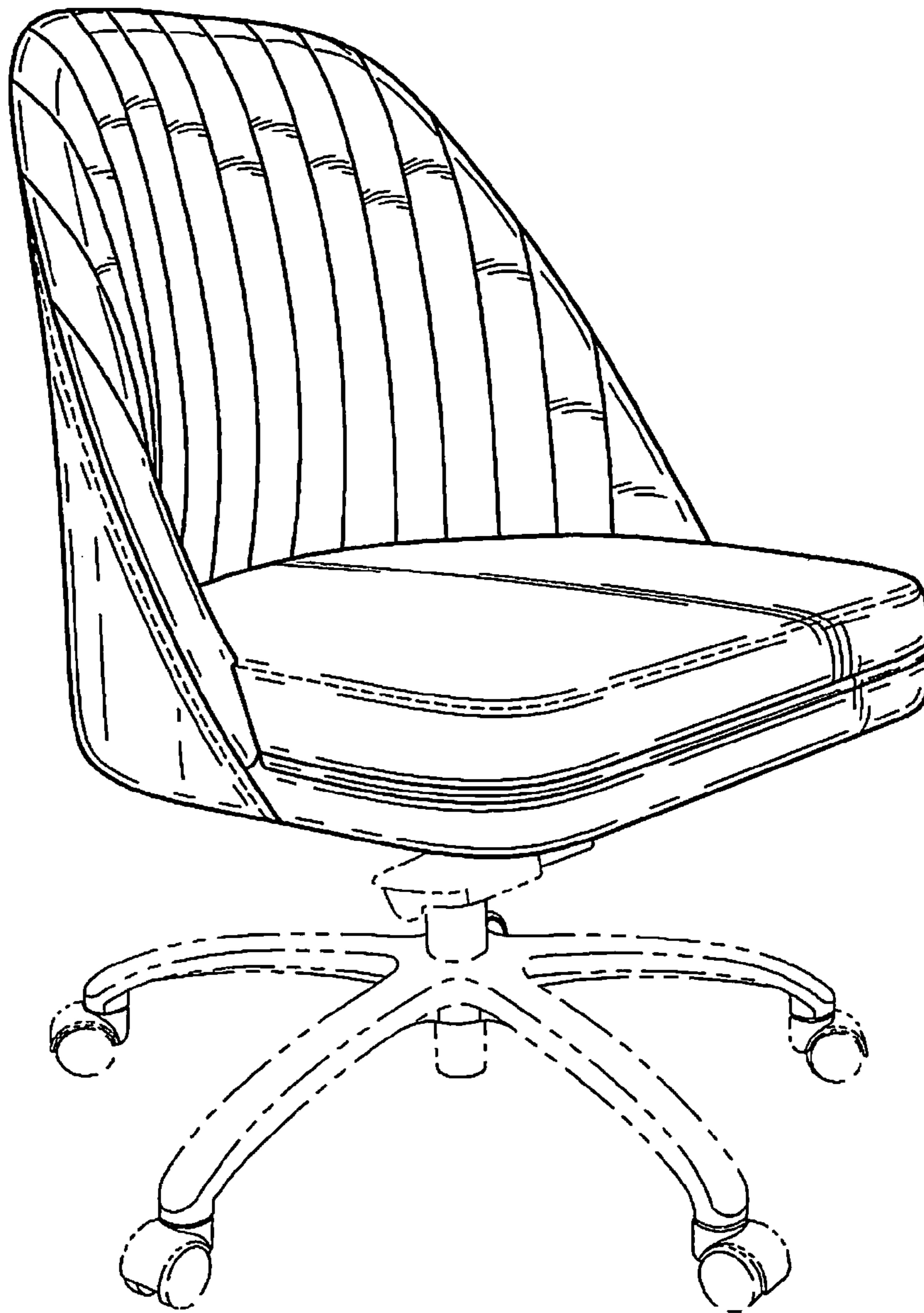


FIG. 1

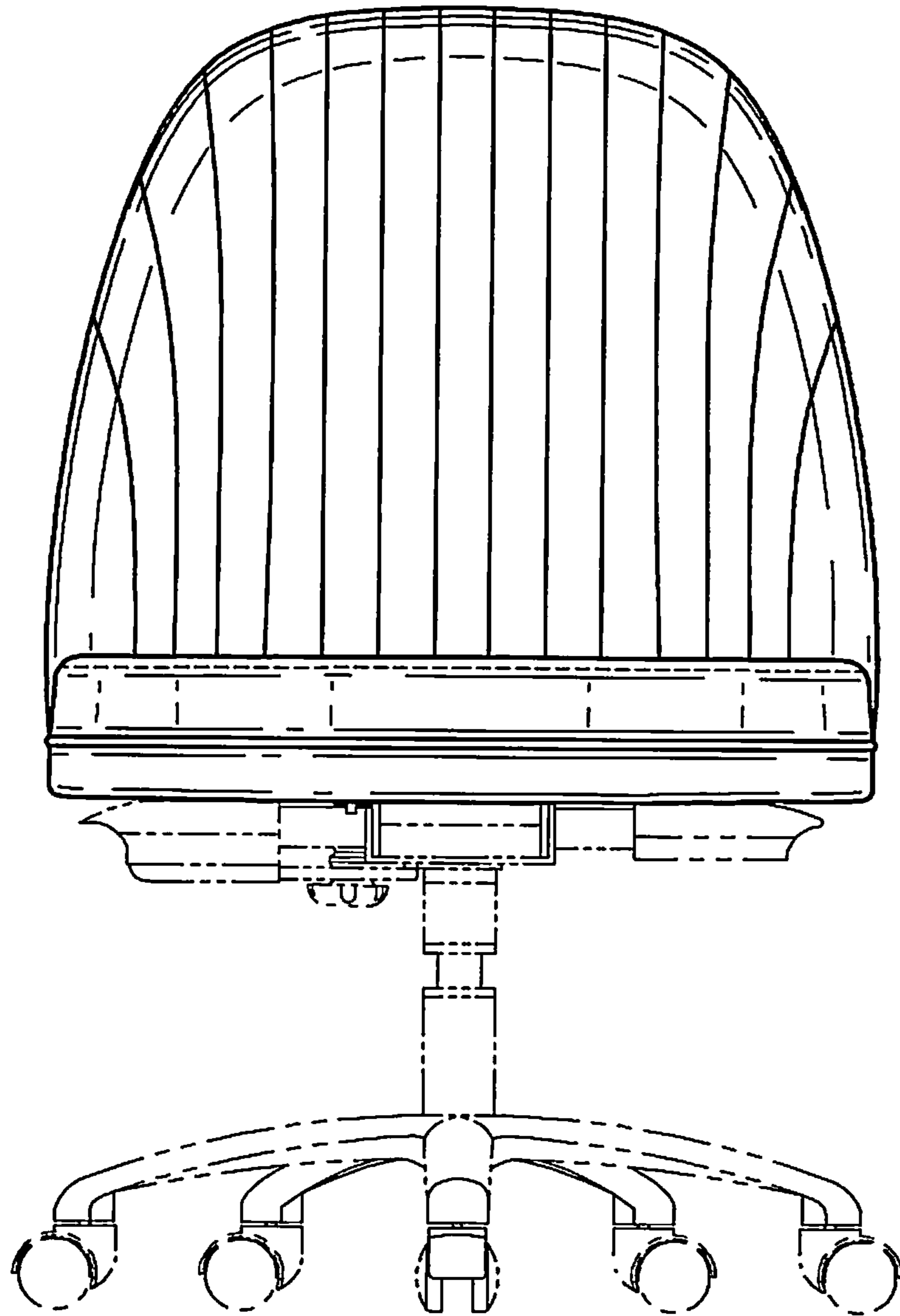


FIG. 2

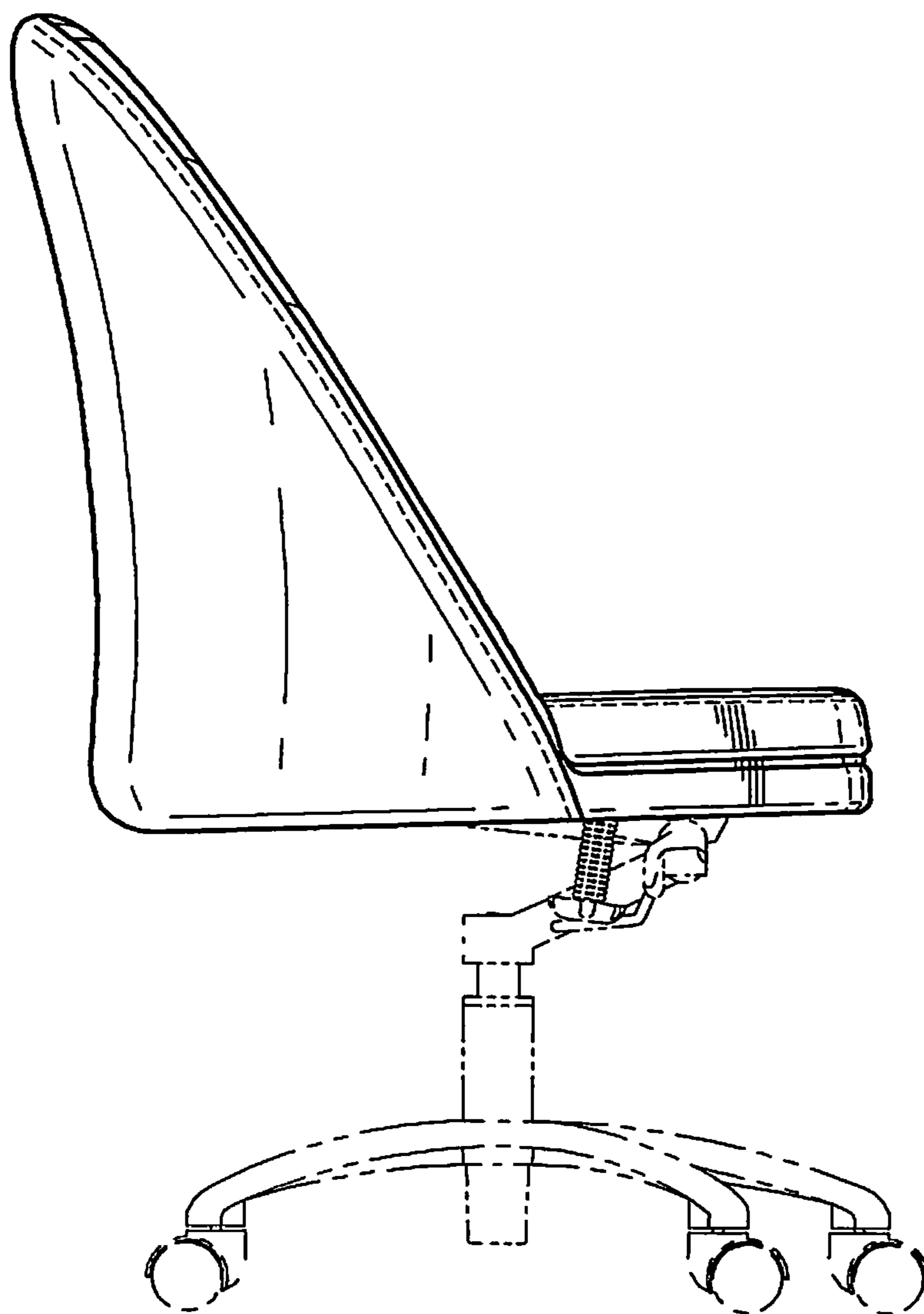


FIG. 3

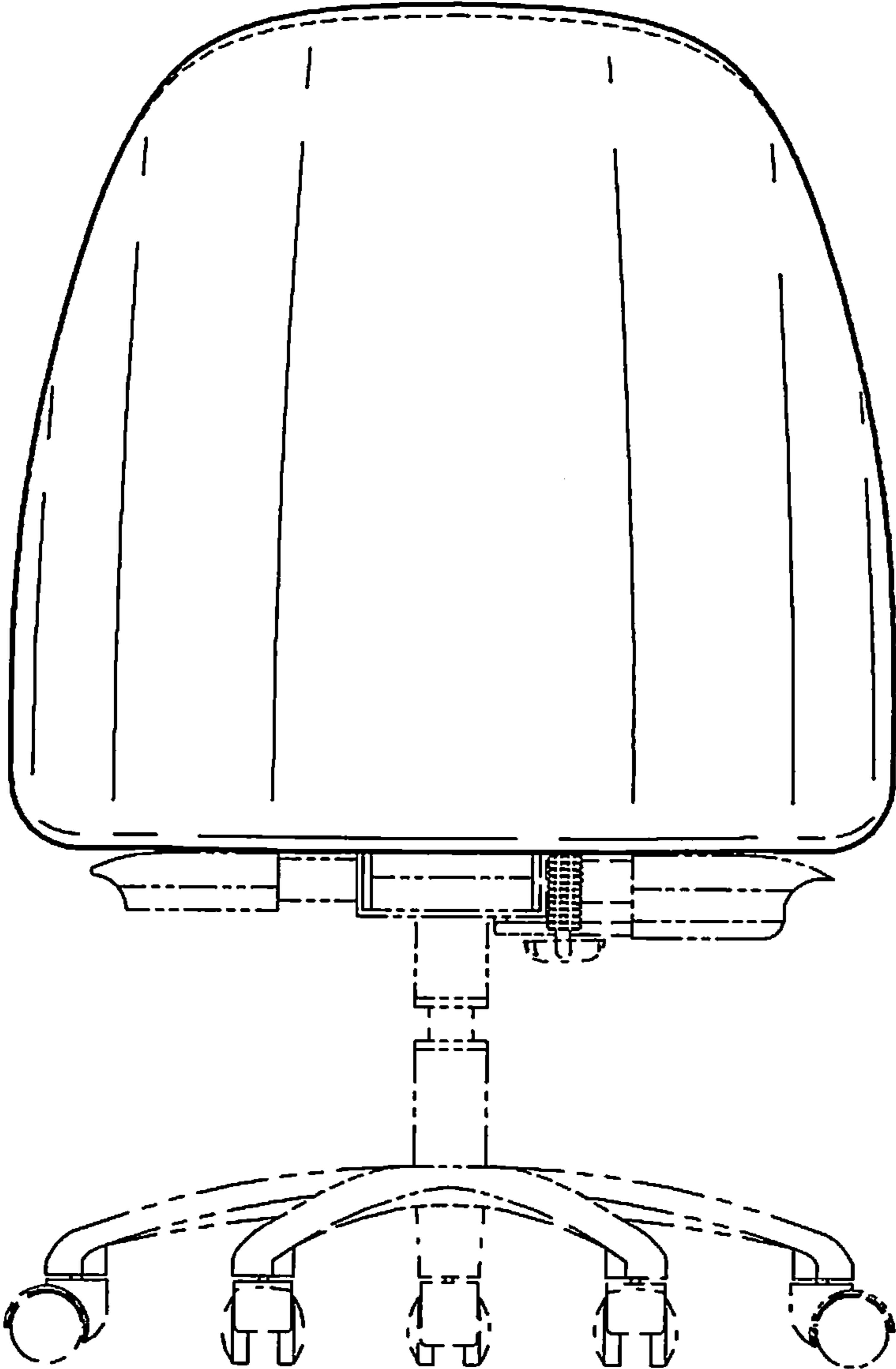


FIG. 4

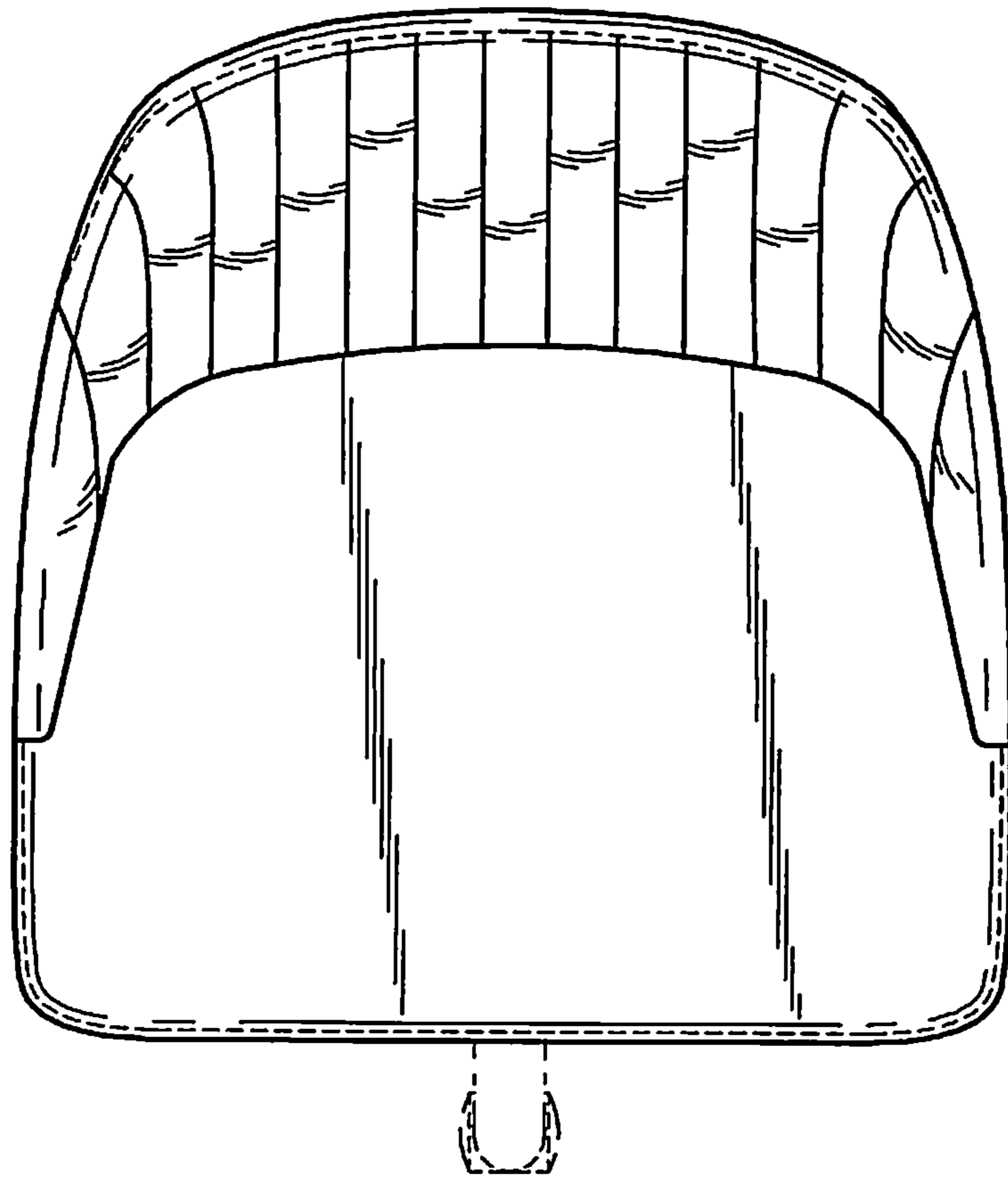


FIG. 5

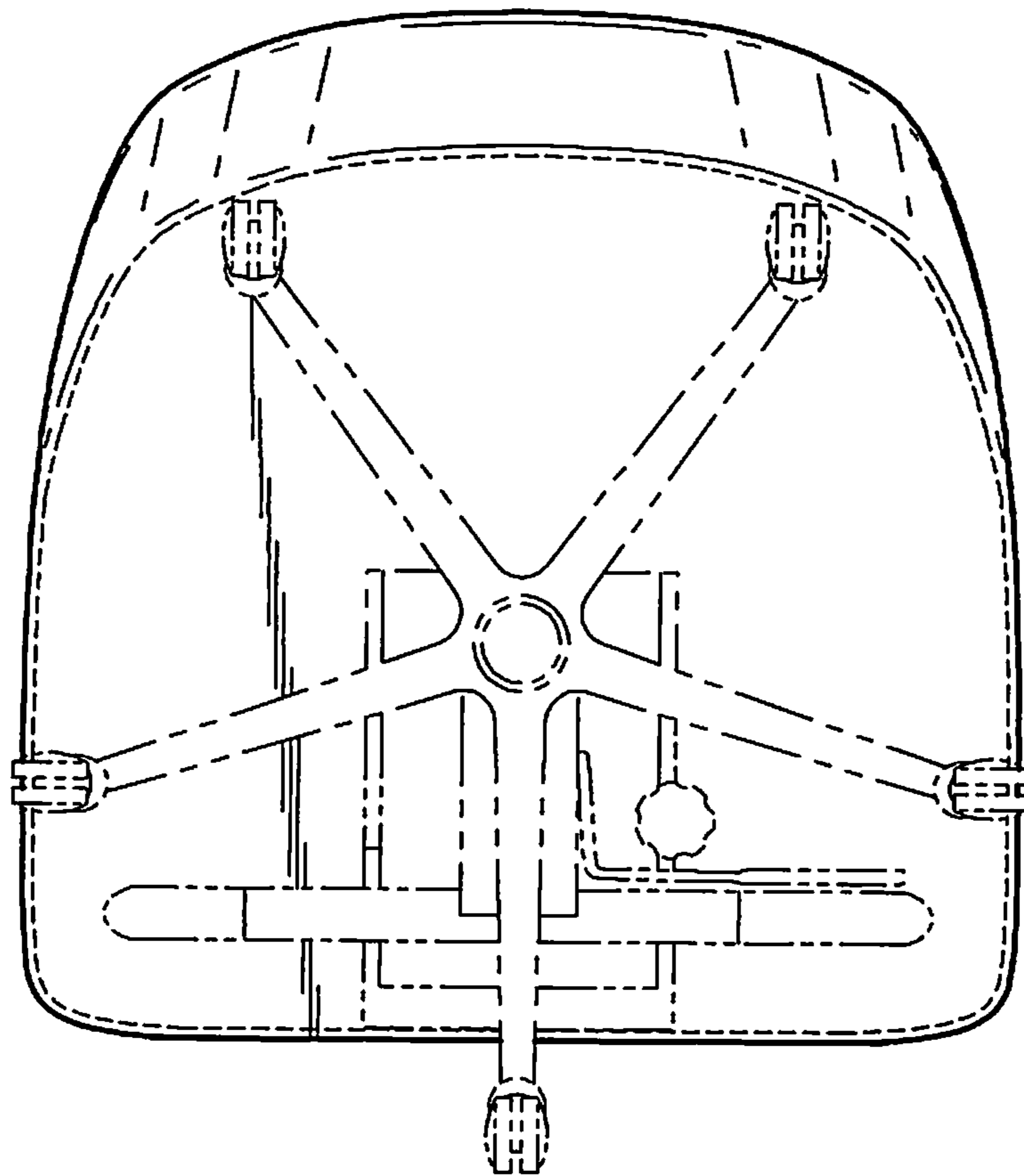


FIG. 6