



US00D729561S

(12) **United States Design Patent**
Robins et al.

(10) **Patent No.:** **US D729,561 S**
(45) **Date of Patent:** **** May 19, 2015**

- (54) **BASE**
- (71) Applicants: **Alan Robins**, Merion Station, PA (US);
Lin Hsin Yi, San Diego, CA (US)
- (72) Inventors: **Alan Robins**, Merion Station, PA (US);
Lin Hsin Yi, San Diego, CA (US)
- (73) Assignee: **HASKELL OFFICE**, Bala Cynwyd, PA (US)
- (**) Term: **14 Years**
- (21) Appl. No.: **29/486,768**
- (22) Filed: **Apr. 2, 2014**
- (51) **LOC (10) Cl.** **06-01**
- (52) **U.S. Cl.**
USPC **D6/708**
- (58) **Field of Classification Search**
CPC A47C 1/14; A47C 3/16-3/20; A47C 4/00;
A47C 4/28; A47C 5/02; A47C 5/04; A47C
5/043; A47C 7/00-7/006; A47C 7/02; A47C
9/00; A47C 9/02; A47C 9/002; A47C 9/007;
A47C 9/025; A47C 9/10; A47C 11/00;
A47C 12/00; A47C 13/00; A47C 16/02
USPC D6/333, 335, 340, 344, 347, 349-355,
D6/358, 360, 363-365, 381, 596, 601, 685,
D6/687, 688.15, 688.27, 690, 691, 692.3,
D6/708, 708.16, 709, 709.2, 709.22, 711,
D6/716-716.7, 717
See application file for complete search history.

- D183,416 S 8/1958 Bellmann
- 2,845,699 A 8/1958 Woodard
- 2,989,112 A 6/1961 Sonnleitner
- D192,029 S 1/1962 Avedon et al.
- D194,980 S 4/1963 Alvaro De La Riva
- D195,725 S 7/1963 Chapman et al.
- D198,628 S 7/1964 Chapman et al.
- D230,669 S 3/1974 Hendrickson et al.
- D236,662 S 11/1975 Subert
- D298,674 S 11/1988 Koller, Sr.
- D315,998 S 4/1991 Edwards
- D319,159 S 8/1991 Silbersky et al.
- D326,577 S 6/1992 Edwards
- D193,847 S 10/1992 Mason
- D332,703 S 1/1993 Gulliver
- D353,058 S 12/1994 Dallas
- D358,514 S 5/1995 Lovegrove
- D383,927 S 9/1997 Vassallo
- D398,452 S 9/1998 Reddig
- D410,128 S 5/1999 Dallas
- D427,812 S 7/2000 Donnelly
- D428,713 S 8/2000 Arko et al.

(Continued)

Primary Examiner — Susan Bennett Hattan
Assistant Examiner — Vy Koenig
(74) *Attorney, Agent, or Firm* — Law Offices of Robert F. Zielinski, LLC

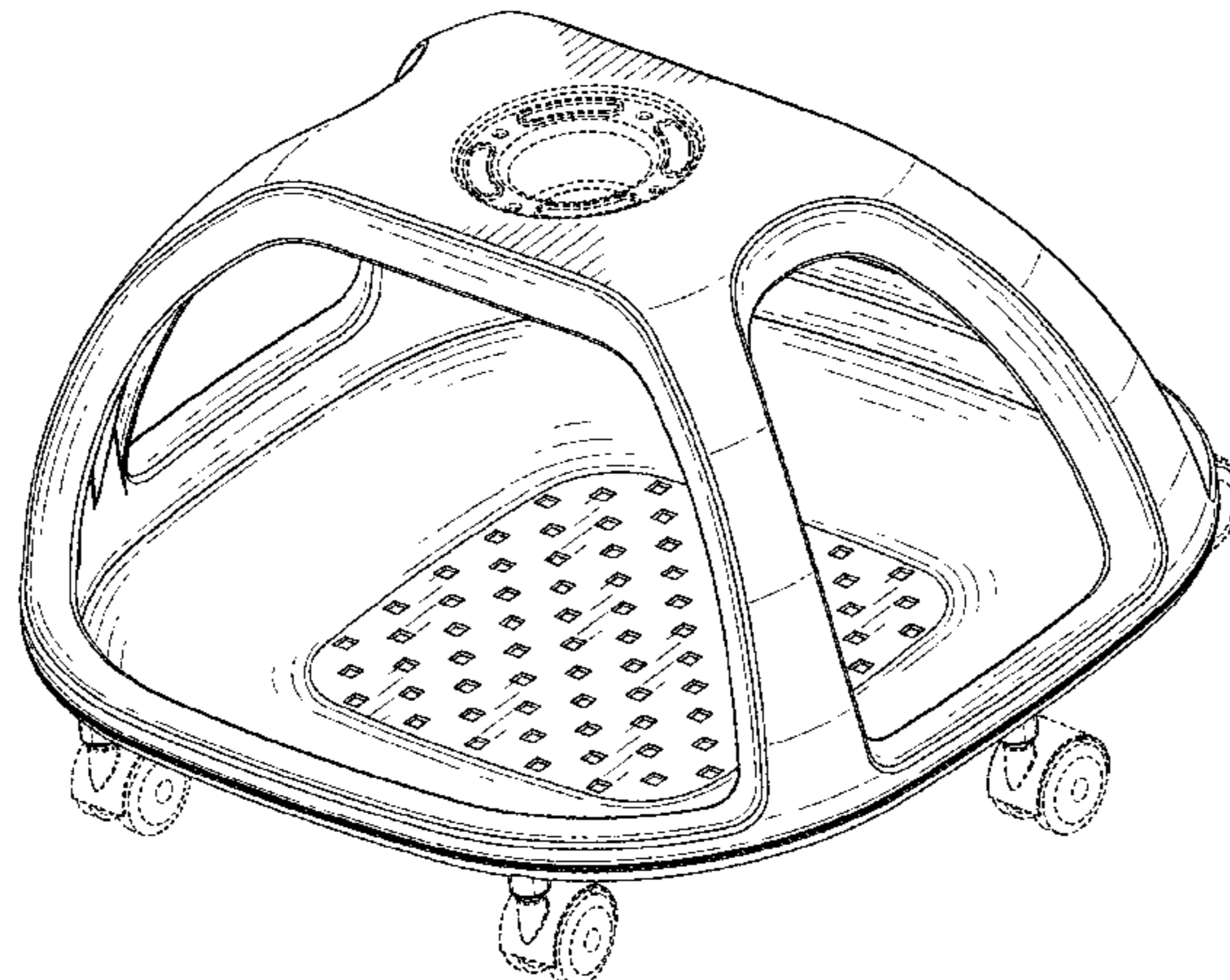
(57) **CLAIM**
The ornamental design for a base, as shown and described.

DESCRIPTION

FIG. 1 is a top, front, right perspective view of the base embodying our new design.
FIG. 2 is a front elevational view thereof;
FIG. 3 is a rear elevational view thereof;
FIG. 4 right side view thereof;
FIG. 5 is a left side view thereof;
FIG. 6 is a top plan view thereof; and,
FIG. 7 is a bottom plan view thereof.
The broken line representations in the figures show unclaimed environment, and thus form no part of the claimed design.

1 Claim, 7 Drawing Sheets

- (56) **References Cited**
U.S. PATENT DOCUMENTS
- 2,343,077 A 2/1944 Parrish
- D177,231 S 3/1956 Hail et al.
- D181,703 S 12/1957 Bargaen
- 2,818,107 A 12/1957 Thaden
- D181,945 S 1/1958 Saarinen
- D181,975 S 1/1958 Hail et al.
- D182,790 S 5/1958 Cohen



(56)

References Cited

U.S. PATENT DOCUMENTS

D443,991 S	6/2001	Picotti		D588,371 S	3/2009	Picco	
D447,651 S	9/2001	Ooyama et al.		D591,537 S	5/2009	Zhang	
D456,186 S	4/2002	Liu		D592,870 S	5/2009	Olano Jauregui	
D456,647 S	5/2002	Whiteside et al.		D592,876 S	5/2009	Smith et al.	
D457,019 S	5/2002	Liu		D596,871 S	7/2009	Farber	
D460,871 S	7/2002	Opsvik		D600,035 S	9/2009	Olano Jauregui	
D461,325 S	8/2002	Opsvik		D600,052 S	9/2009	Smith et al.	
D477,921 S	8/2003	Bosman et al.		D600,458 S	9/2009	Starck	
D477,925 S	8/2003	Lucci		D600,464 S	9/2009	Olano Jauregui	
D481,889 S	11/2003	Ciabatti		D607,225 S	1/2010	Bauchet	
D495,536 S	9/2004	Lucht		D609,037 S	2/2010	Miller et al.	
D497,261 S	10/2004	Epp et al.		D611,261 S	3/2010	Igarashi	
D513,892 S	1/2006	Glass et al.		D612,640 S	3/2010	Noiseux	
D157,336 S	3/2006	Engelstad		D614,415 S	4/2010	Konno	
D517,336 S	3/2006	Engelstad		D618,922 S	7/2010	Fuchs	
D522,764 S *	6/2006	Allen	D6/353	D625,931 S	10/2010	Estrup	
D524,069 S	7/2006	Lim		D636,612 S	4/2011	Overthun et al.	
D531,419 S	11/2006	Whiteside		D636,613 S	4/2011	Overthun et al.	
D531,423 S	11/2006	Whiteside		D640,878 S	7/2011	Huang et al.	
D535,838 S	1/2007	Ritch et al.		D646,085 S	10/2011	Overthun et al.	
D554,382 S	11/2007	Nobles et al.		D646,497 S	10/2011	Overthun et al.	
D555,920 S *	11/2007	Whiteside et al.	D6/349	D647,316 S	10/2011	Kim	
D560,918 S	2/2008	Fuksas		D648,560 S	11/2011	Sandona	
D562,019 S	2/2008	Lievore		D649,802 S	12/2011	Breinholt	
D566,412 S	4/2008	Van Severen		D650,185 S	12/2011	Hsu	
D566,978 S	4/2008	Gonzalez		D652,657 S	1/2012	Behar et al.	
D569,115 S	5/2008	McCoy et al.		D654,712 S	2/2012	Wilson et al.	
D570,125 S	6/2008	Gonzalez		D655,099 S	3/2012	Werner	
D572,029 S	7/2008	Bouroullec		D656,755 S	4/2012	Wanders	
D572,914 S	7/2008	Overthun		D657,152 S	4/2012	Lievore et al.	
D573,323 S	7/2008	Vargas		D657,582 S	4/2012	Wilson et al.	
D573,363 S	7/2008	Pillet		D657,583 S	4/2012	Wilson et al.	
D573,806 S	7/2008	Pillet		D660,054 S	5/2012	Kane	
D578,786 S	10/2008	Cantarutti		D660,055 S	5/2012	Kane	
D579,224 S	10/2008	Fancelli		D660,540 S	5/2012	Thompson et al.	
D579,677 S	11/2008	Zhou et al.		D661,914 S	6/2012	Paulin	
D579,679 S *	11/2008	Qian et al.	D6/349	D667,243 S	9/2012	Su	
D581,688 S	12/2008	Miller et al.		D671,762 S	12/2012	Azambourg	
D584,521 S	1/2009	Massaud		D679,517 S	4/2013	Corcorran et al.	
D584,901 S	1/2009	Massaud		D679,523 S	4/2013	Corcorran et al.	
D585,206 S	1/2009	Mourgue		D679,524 S	4/2013	Corcorran et al.	
D585,207 S	1/2009	Bauchet		D679,525 S	4/2013	Corcorran et al.	
D585,656 S	2/2009	Massaud		D679,923 S *	4/2013	Corcorran et al.	D6/708
D585,657 S	2/2009	Massaud		D689,723 S	9/2013	Corcorran et al.	
D586,135 S	2/2009	Lievore		D690,143 S	9/2013	Corcorran et al.	
D587,916 S	3/2009	Bouroullec		D701,717 S *	4/2014	Whiteside et al.	D6/708
				8,844,947 B1 *	9/2014	Whiteside et al.	280/32.6
				2008/0067003 A1 *	3/2008	Emge et al.	182/222

* cited by examiner

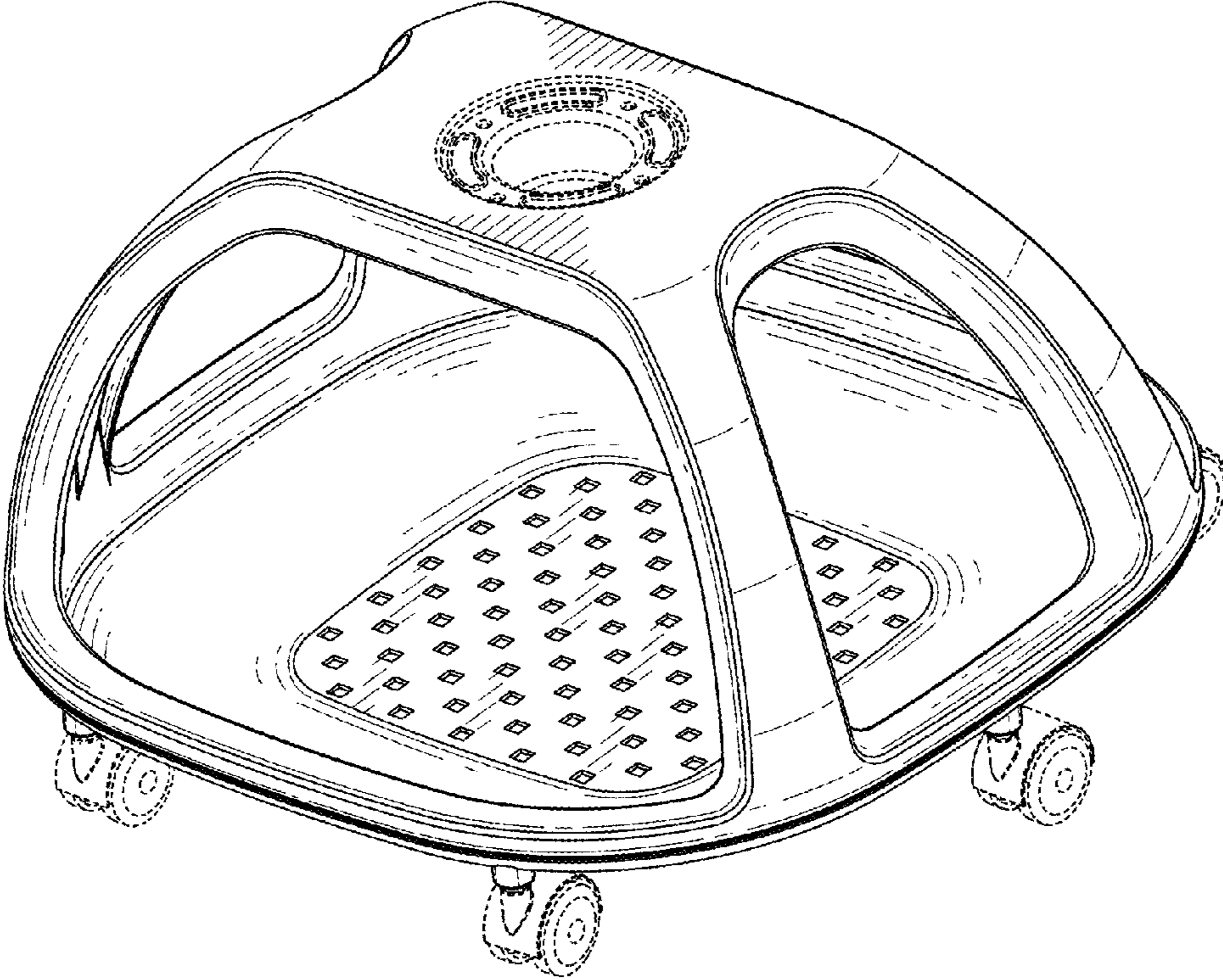


FIG. 1

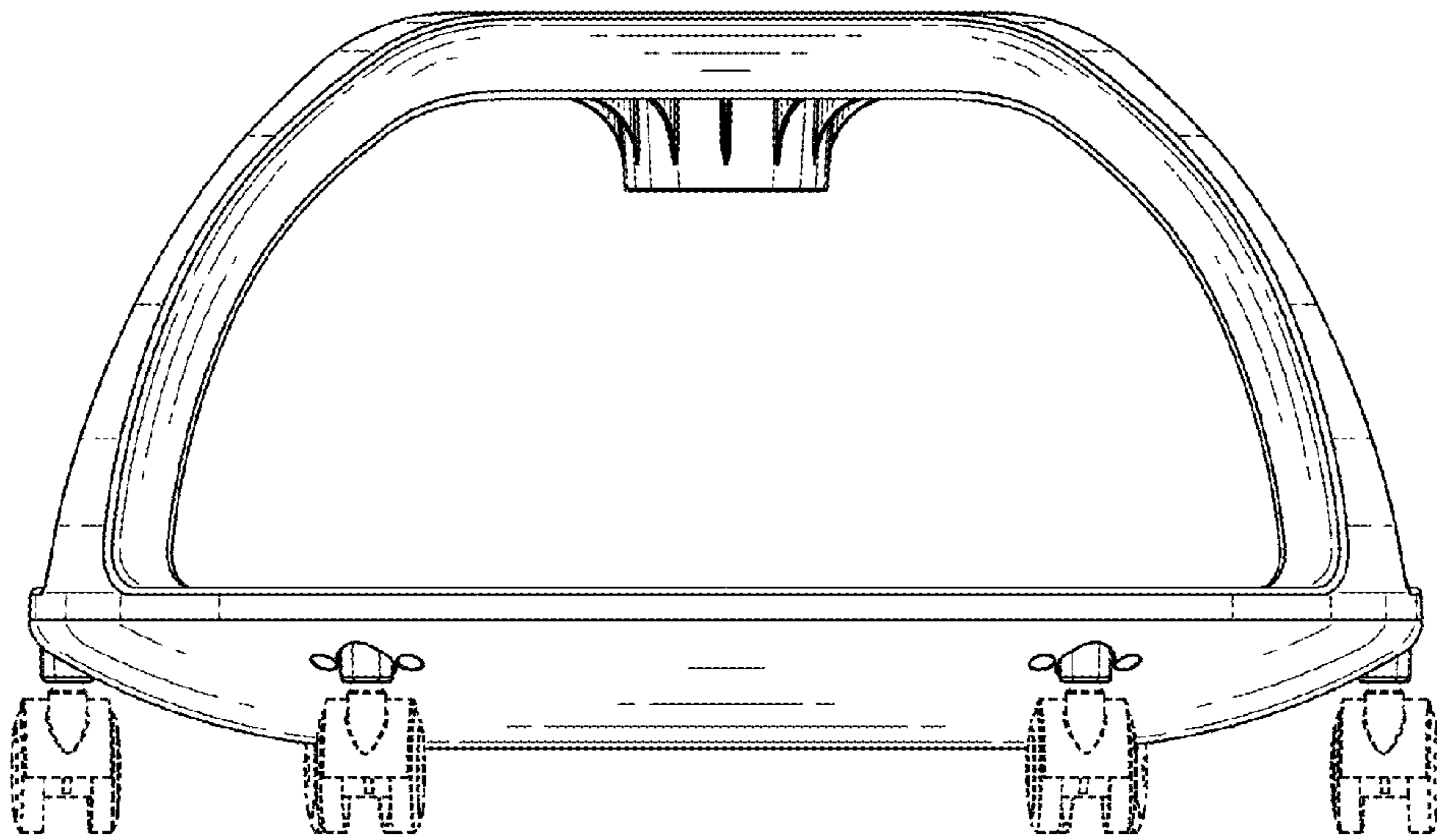


FIG. 2

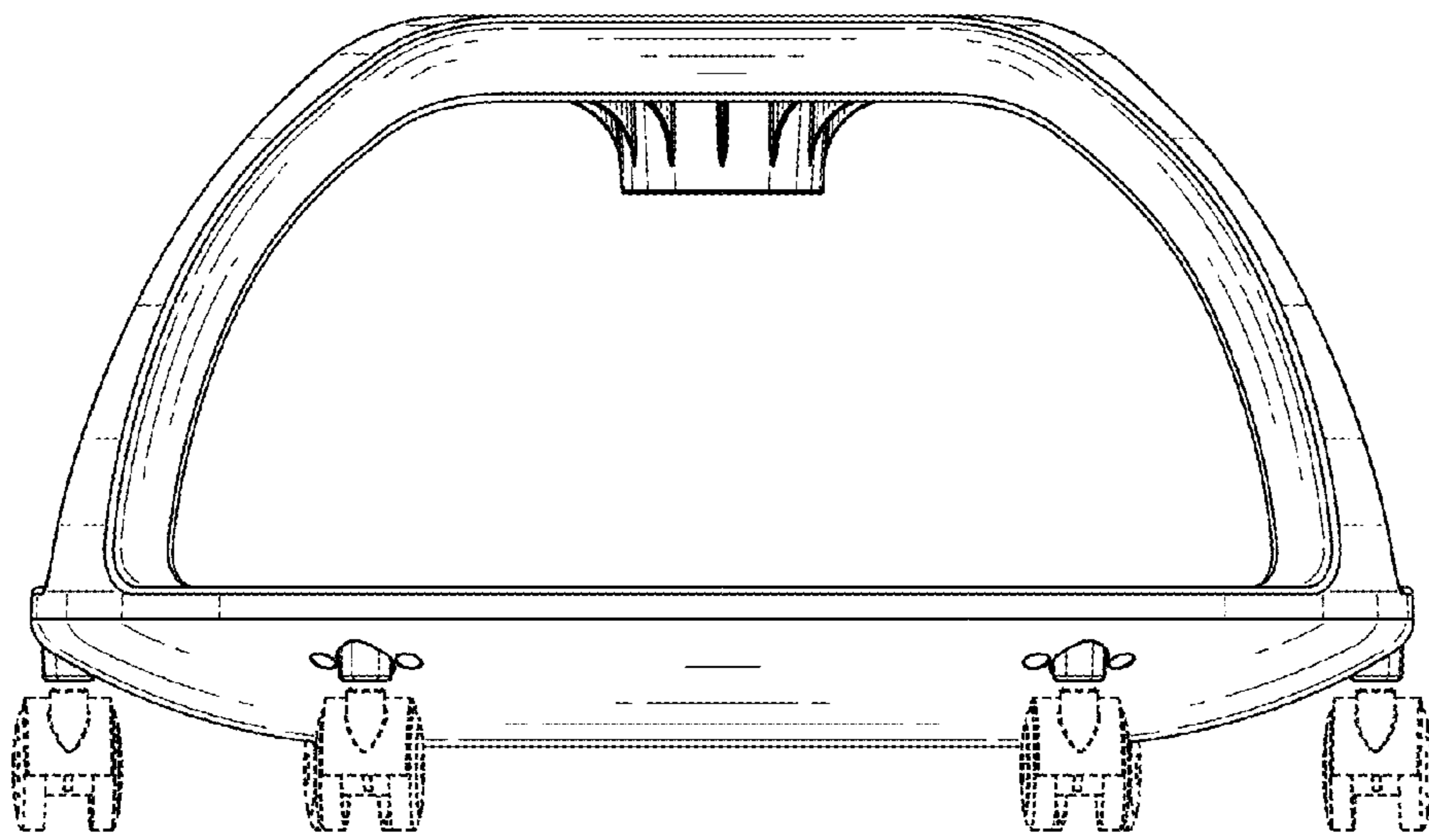


FIG. 3

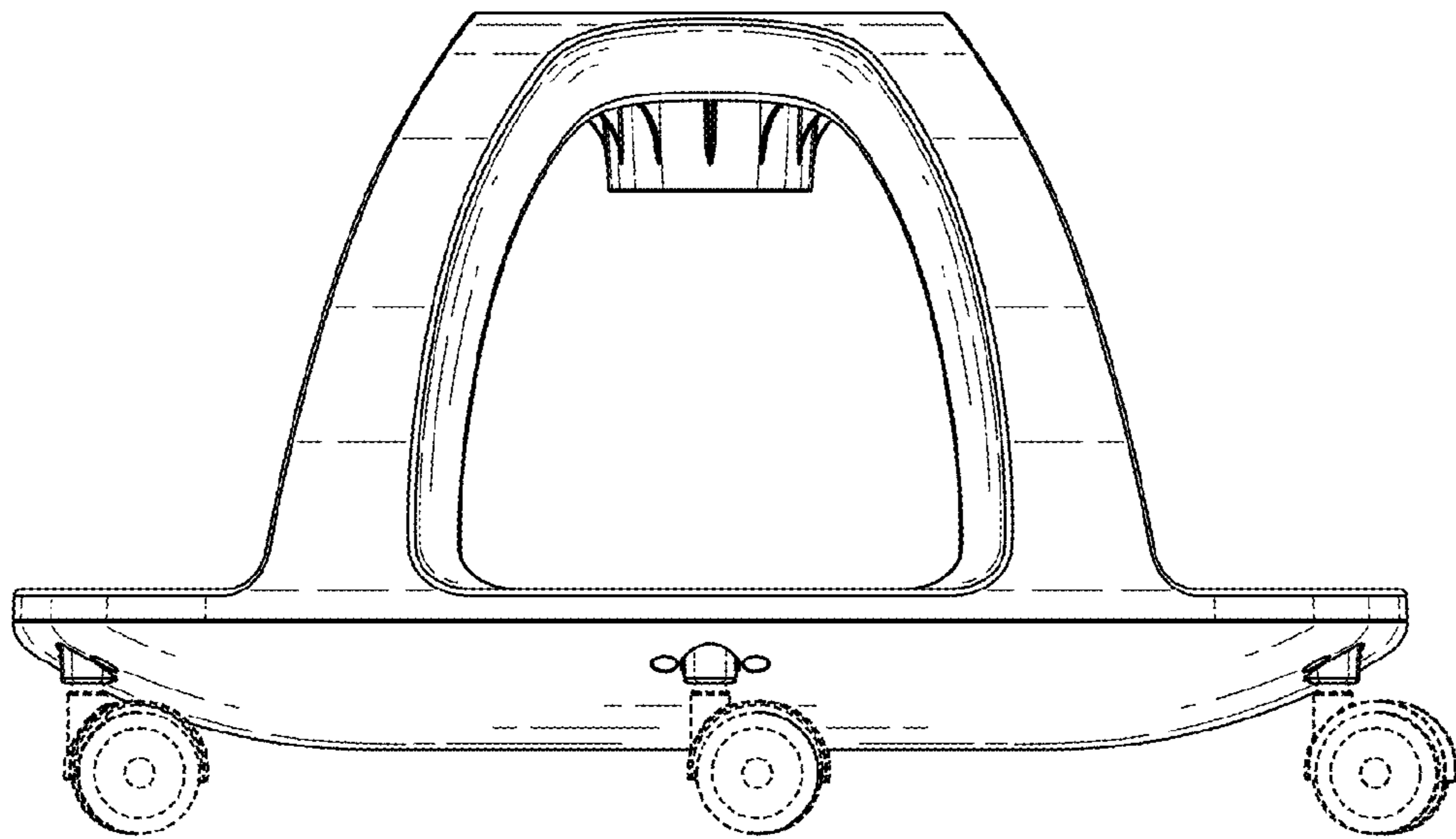


FIG. 4

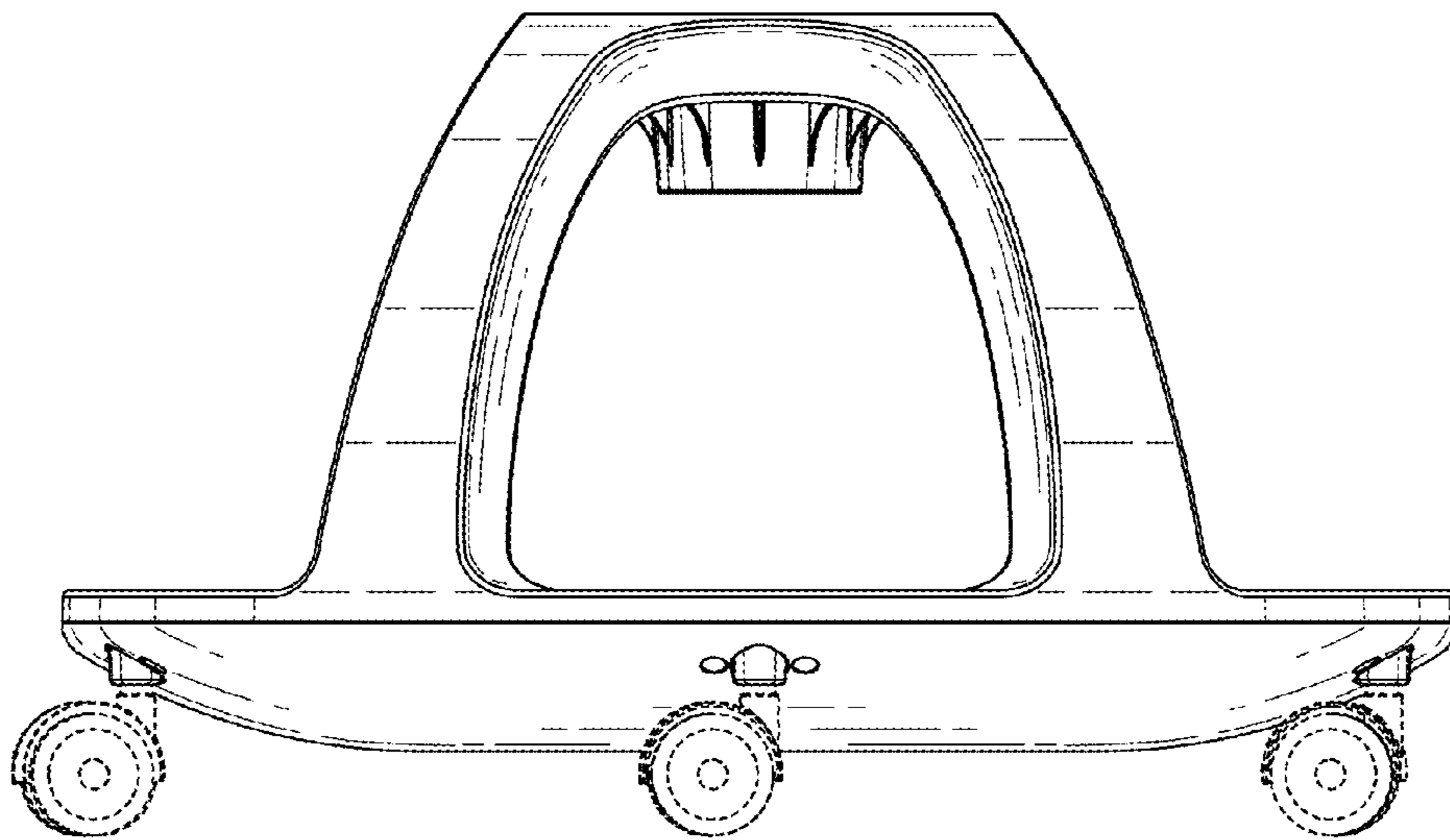


FIG. 5

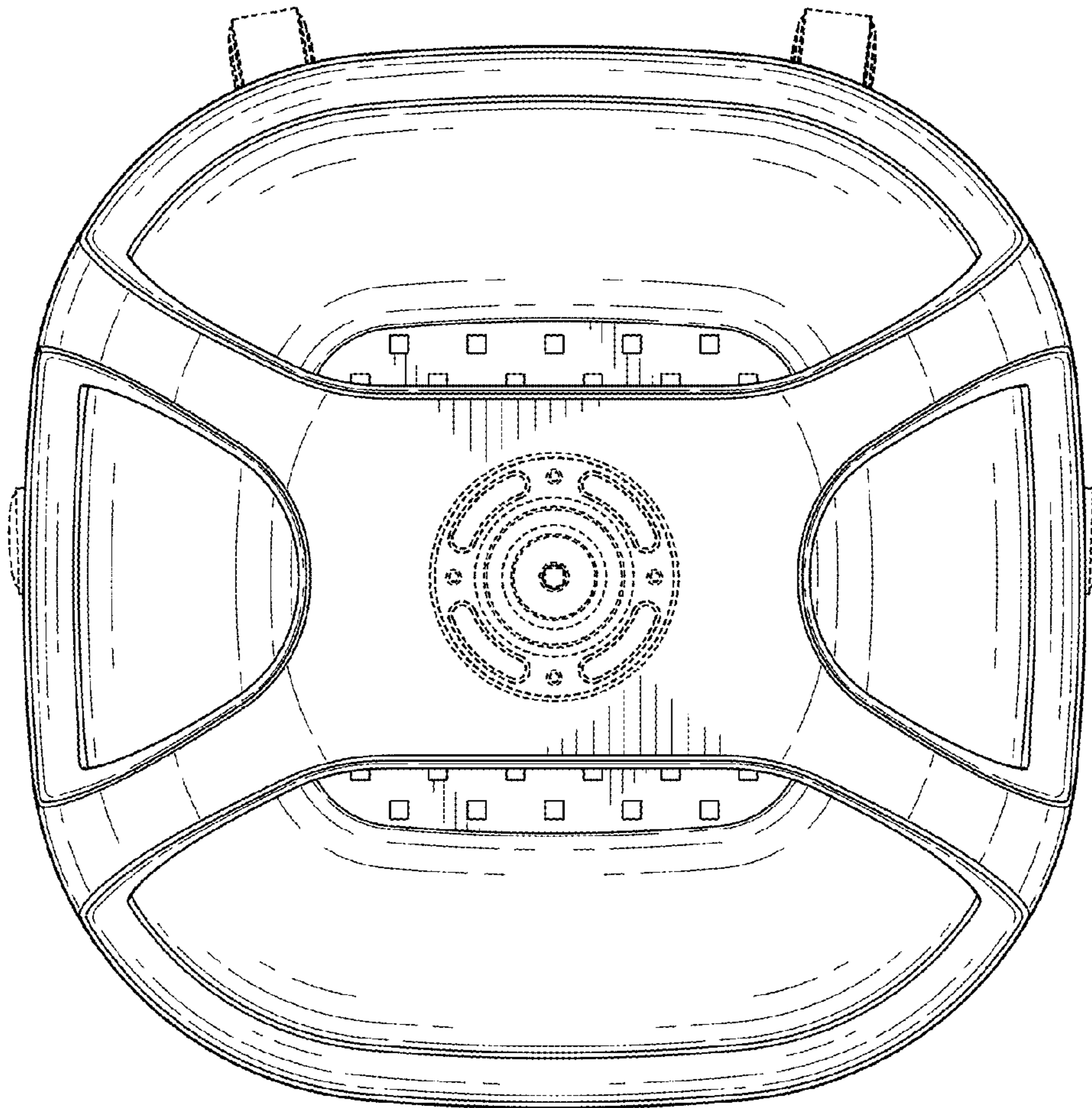


FIG. 6

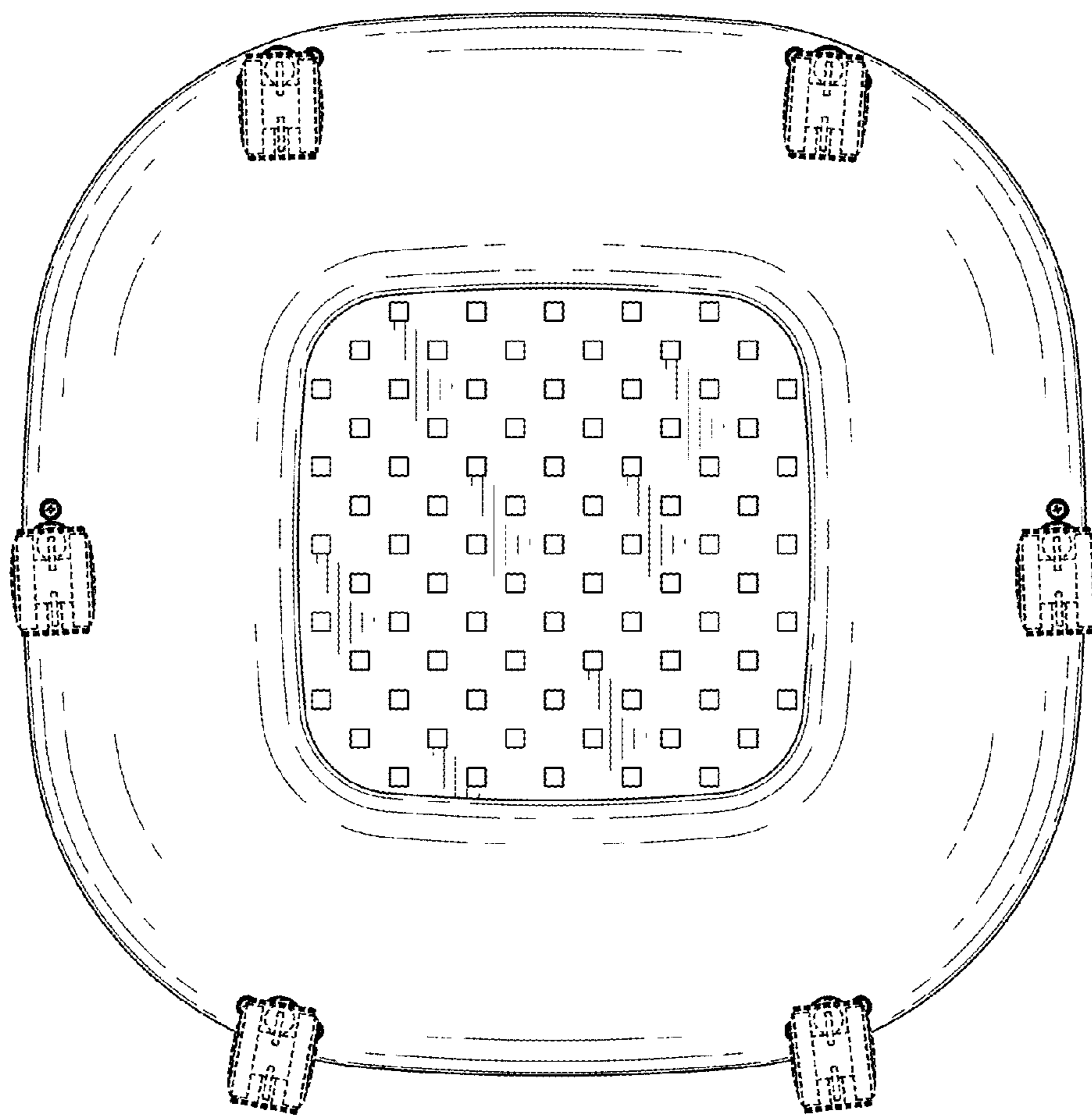


FIG. 7