



US00D729559S

(12) **United States Design Patent**
Morten

(10) **Patent No.:** **US D729,559 S**
(45) **Date of Patent:** **** May 19, 2015**

(54) **SALES COUNTER**

(71) Applicant: **Gottebitten En Gros AB**, Strömstad (SE)

(72) Inventor: **Magnus Morten**, Varberg (SE)

(73) Assignee: **GOTTEBITEN EN GROS AB**,
Strömstad (SE)

(**) Term: **14 Years**

(21) Appl. No.: **29/487,361**

(22) Filed: **Apr. 8, 2014**

(30) **Foreign Application Priority Data**

Oct. 8, 2013 (EM) 002321836-0001

(51) **LOC (10) Cl.** **06-03**

(52) **U.S. Cl.**

USPC **D6/699**; D6/668

(58) **Field of Classification Search**

USPC D6/698, 699, 699.1, 699.2, 699.3, 657,
D6/664, 668, 686, 692.3; 312/140.1,
312/140.2, 116, 117, 284, 286; D25/16

See application file for complete search history.

(56) **References Cited**

U.S. PATENT DOCUMENTS

D144,120 S *	3/1946	Livon	D6/481
D236,397 S *	8/1975	Kramer	D6/455
D262,912 S *	2/1982	Therien et al.	D25/23
D545,071 S *	6/2007	Potter	D6/336
D587,030 S *	2/2009	Scoley et al.	D6/397
D609,504 S *	2/2010	Petrossian	D6/481

* cited by examiner

Primary Examiner — Janice Seeger

(74) *Attorney, Agent, or Firm* — Dilworth & Barrese, LLP.

(57) **CLAIM**

The ornamental design for a sales counter, as shown and described.

DESCRIPTION

FIG. 1 is a right front perspective view from above of the sales counter showing my new design, the left front perspective view from above being a substantial mirror image thereof;

FIG. 2 is a front elevational view of the sales counter of FIG. 1;

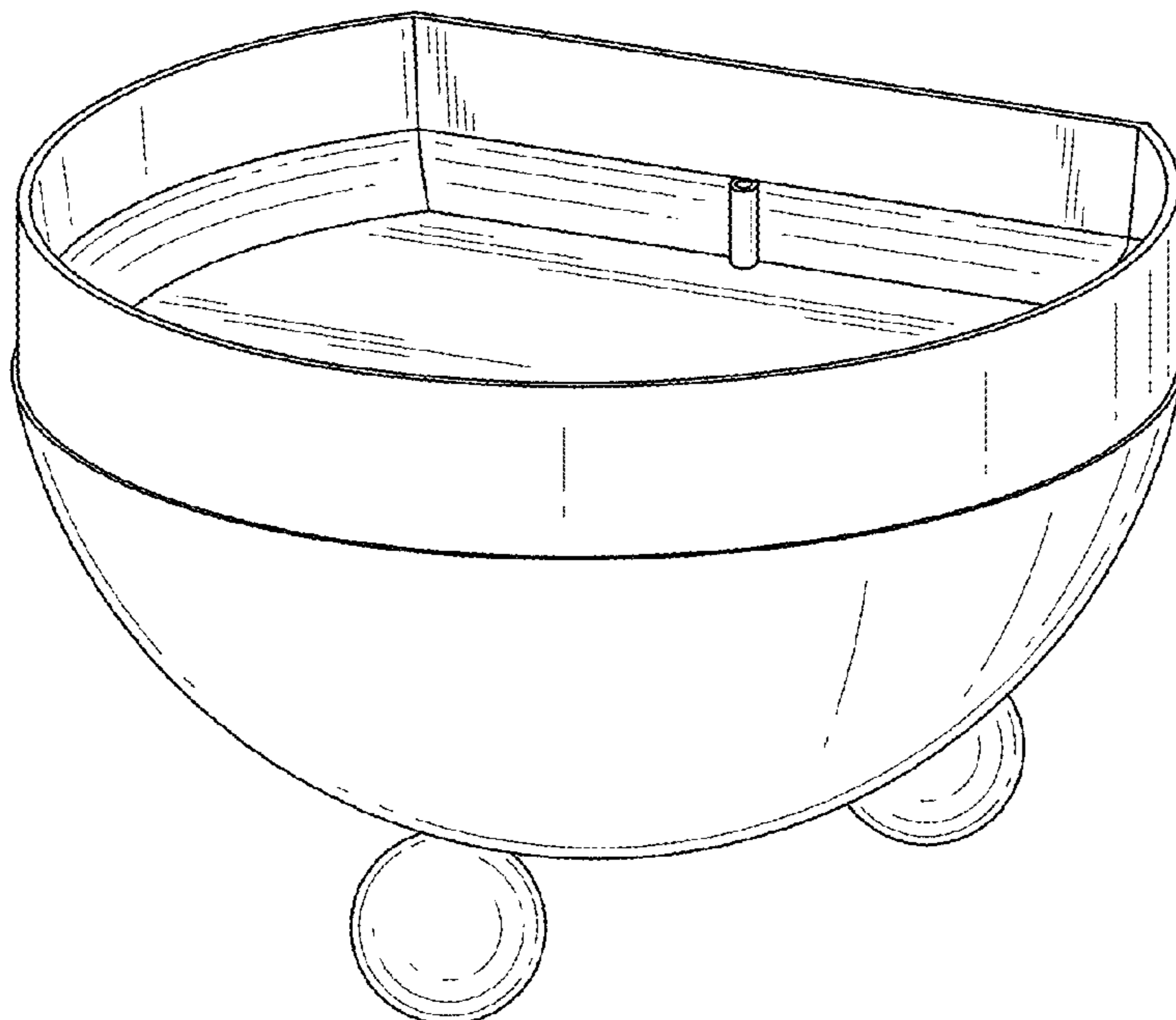
FIG. 3 is a rear elevational view of the sales counter of FIGS. 1 and 2;

FIG. 4 is a left side elevational view of the sales counter of FIGS. 1-3, the right side elevational view being a substantial mirror image thereof;

FIG. 5 is a top plan view of the sales counter of FIGS. 1-4; and,

FIG. 6 is a bottom plan view of the sales counter of FIGS. 1-5.

1 Claim, 3 Drawing Sheets



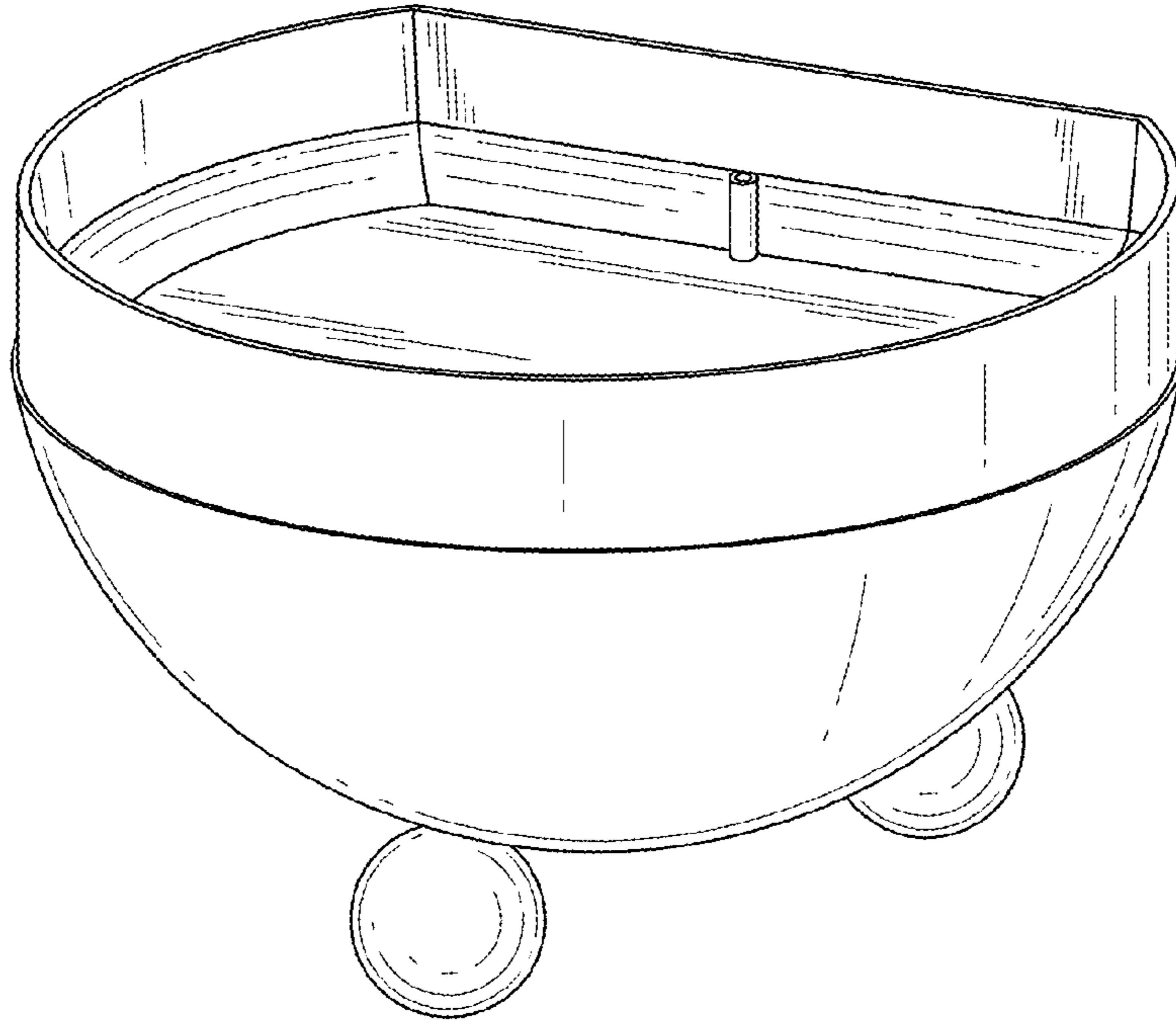


FIG. 1

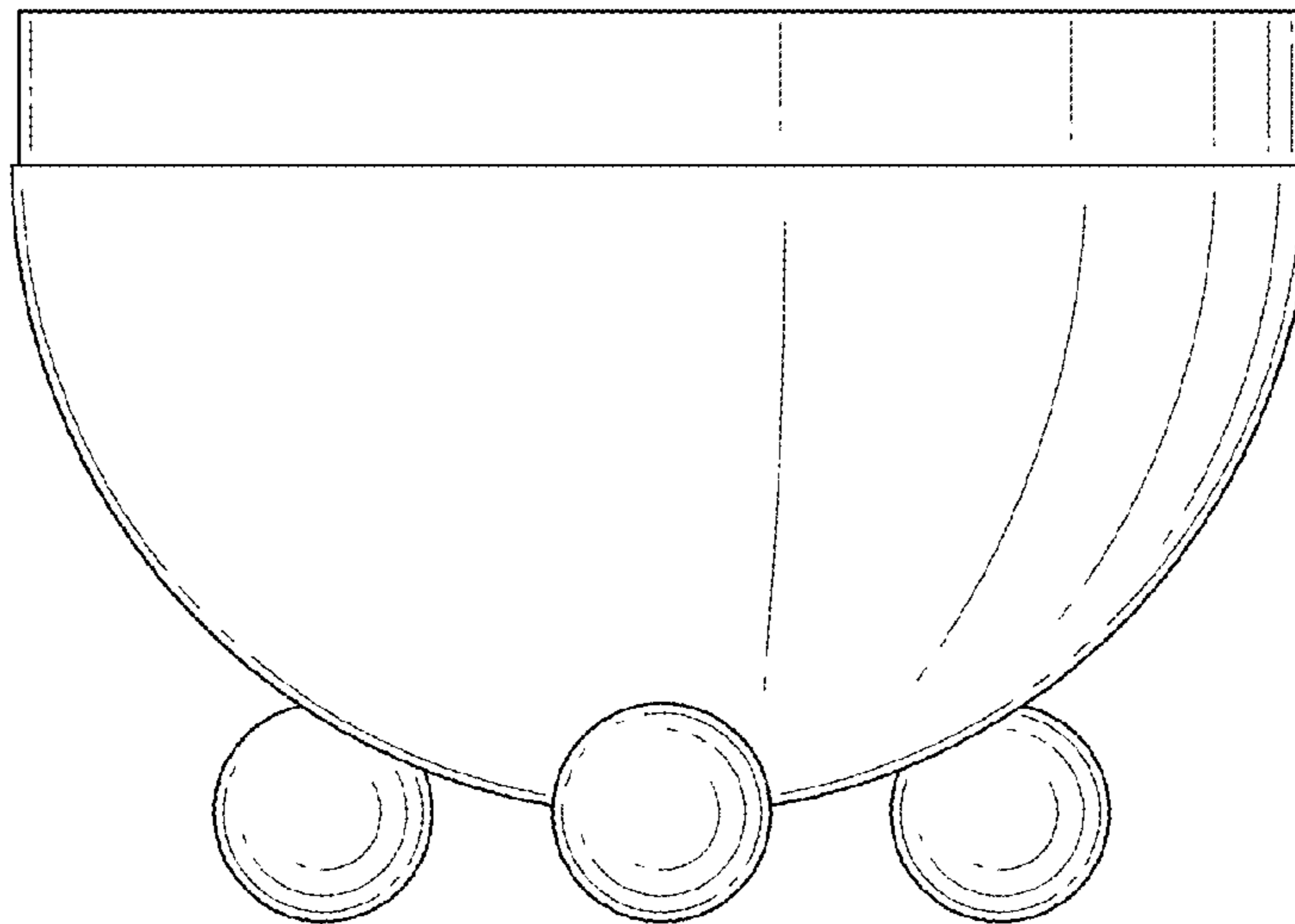


FIG. 2

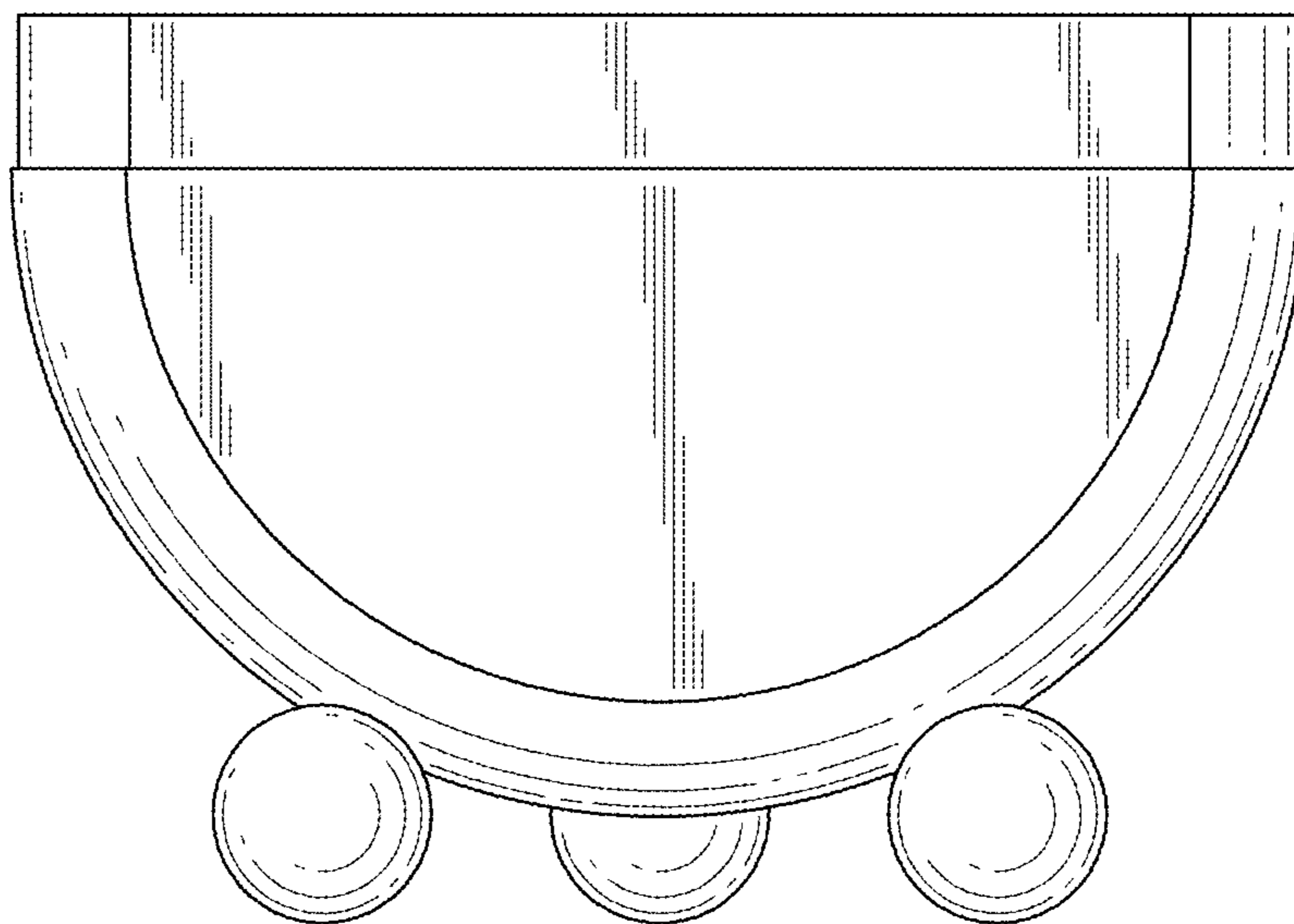


FIG. 3

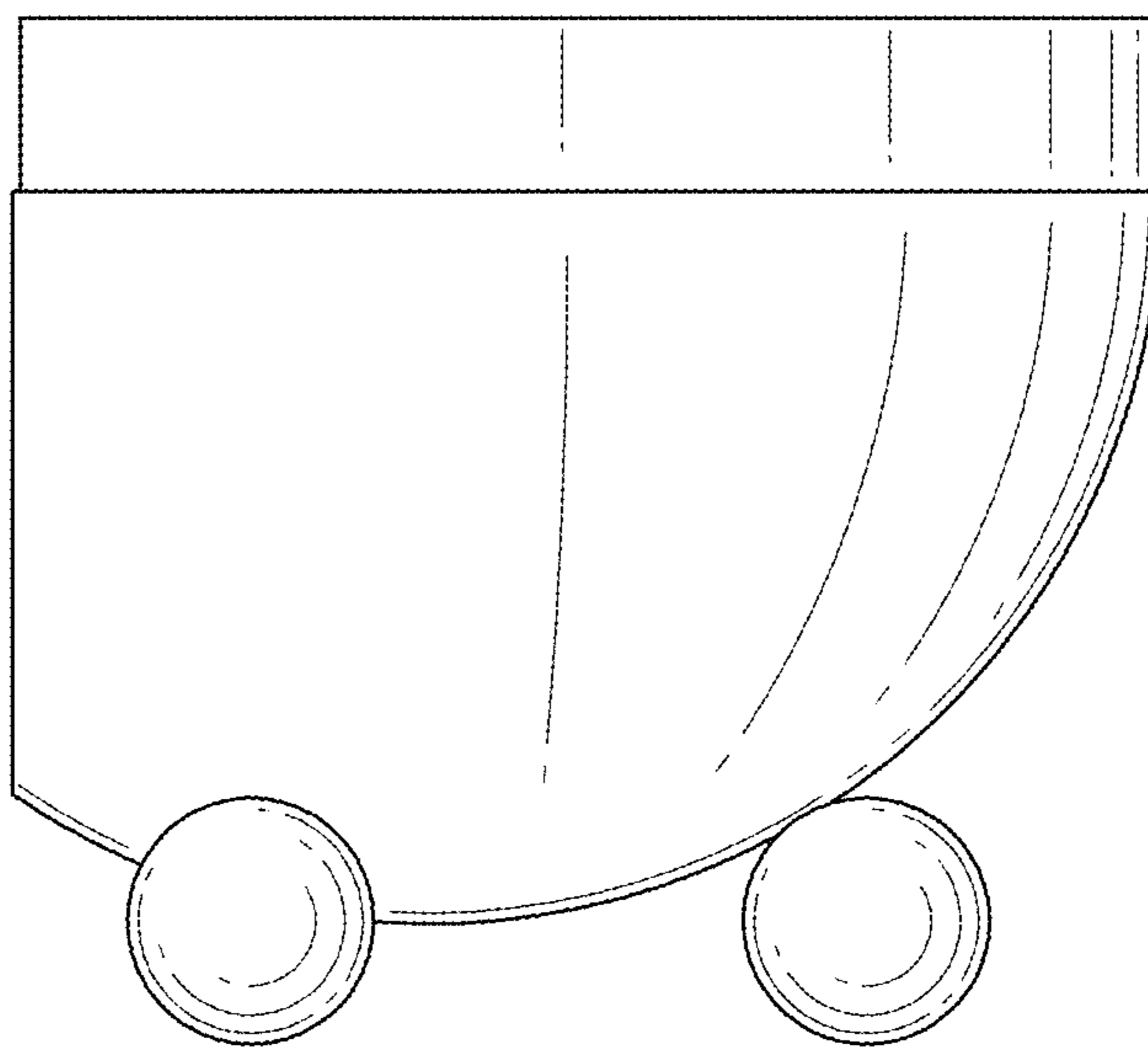


FIG. 4

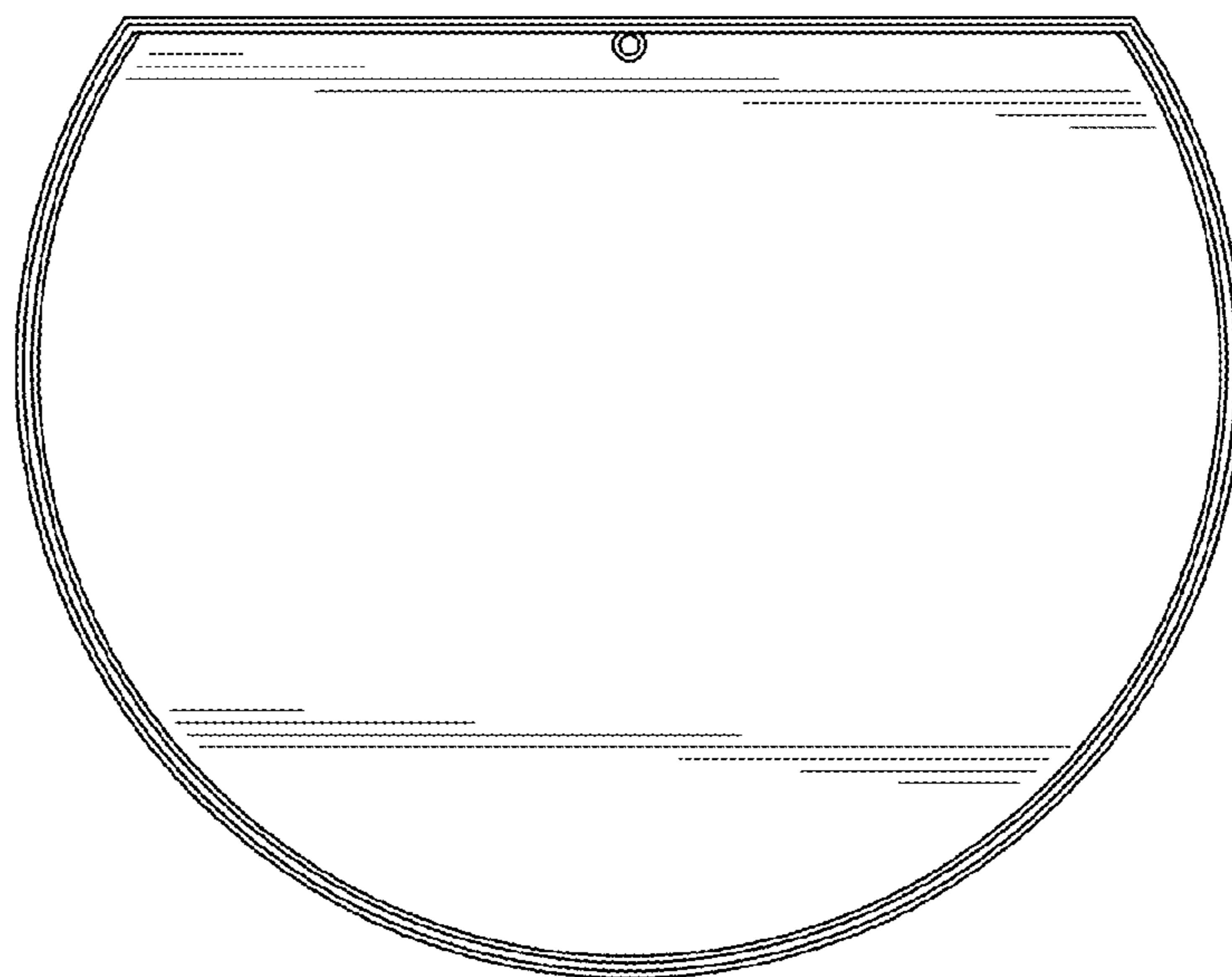


FIG. 5

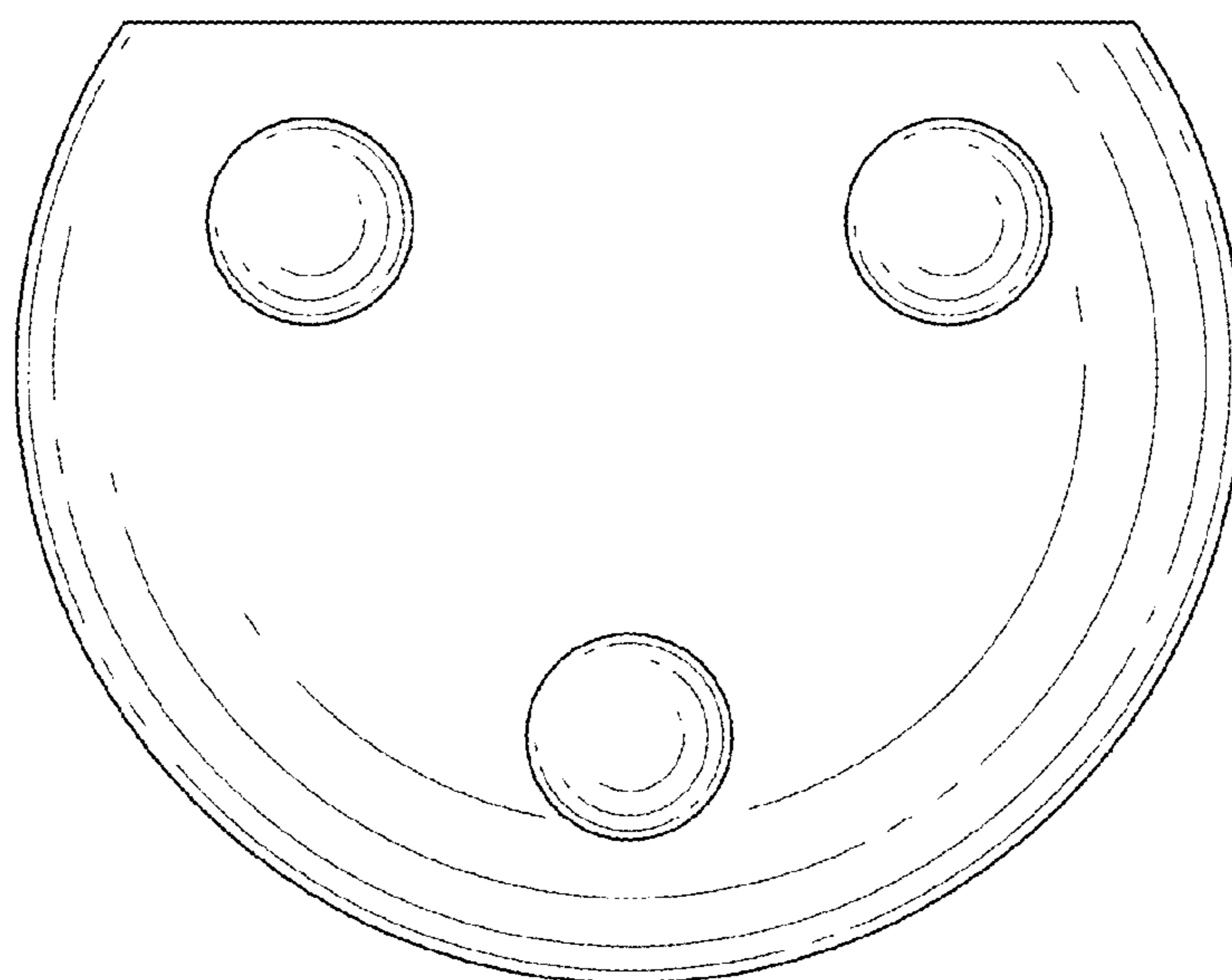


FIG. 6