



US00D729556S

(12) **United States Design Patent**
Sampietro

(10) **Patent No.:** **US D729,556 S**

(45) **Date of Patent:** **** May 19, 2015**

(54) **POLICE BARRIER TABLE**

(71) Applicant: **Carlo Sampietro**, New York, NY (US)

(72) Inventor: **Carlo Sampietro**, New York, NY (US)

(**) Term: **14 Years**

(21) Appl. No.: **29/443,978**

(22) Filed: **Jan. 24, 2013**

(51) **LOC (10) Cl.** **06-03**

(52) **U.S. Cl.**
USPC **D6/691**

(58) **Field of Classification Search**
CPC A47B 3/00; A47B 2013/028; A47B 13/06;
A37B 3/06; A37B 3/87; A37B 13/02
USPC D6/691, 691.5, 691.8, 656.16;
108/153.1, 156, 161, 155, 158.12
See application file for complete search history.

(56) **References Cited**

U.S. PATENT DOCUMENTS

467,081	A *	1/1892	Churbh	182/151
D137,684	S *	4/1944	Kramer	D6/480
3,078,957	A *	2/1963	Larson	182/226
3,463,099	A *	8/1969	Doucette	108/167
D261,712	S *	11/1981	Ferdinand et al.	D6/420

D288,880	S *	3/1987	Favaretto et al.	D6/484
D332,364	S *	1/1993	Bennett	D6/487
D689,305	S *	9/2013	Mari	D6/656

* cited by examiner

Primary Examiner — Janice Seeger

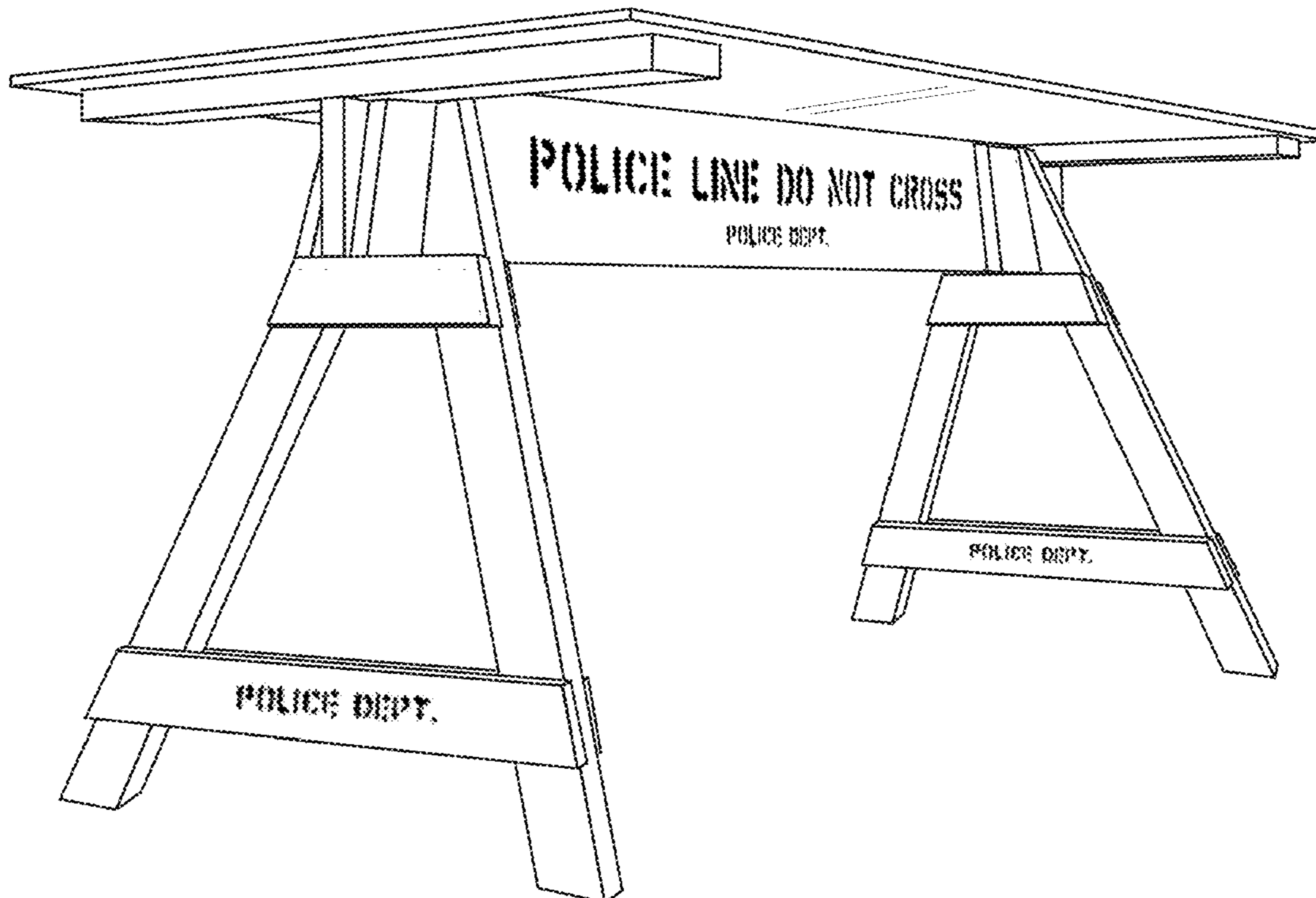
(57) **CLAIM**

The ornamental design for a police barrier table, as shown and described.

DESCRIPTION

FIG. 1 is a front elevation view of a police barricade table showing my new design for table use;
 FIG. 2 is a rear elevation view thereof, show configured for table use;
 FIG. 3 is a top plan view thereof, show configured for table use;
 FIG. 4 is a bottom plan view thereof, show configured for table use;
 FIG. 5 is a right elevation view thereof, show configured for table use;
 FIG. 6 is a left elevation view thereof, show configured for table use; and,
 FIG. 7 is a front and right side prospective thereof, show configured for table use.

1 Claim, 4 Drawing Sheets



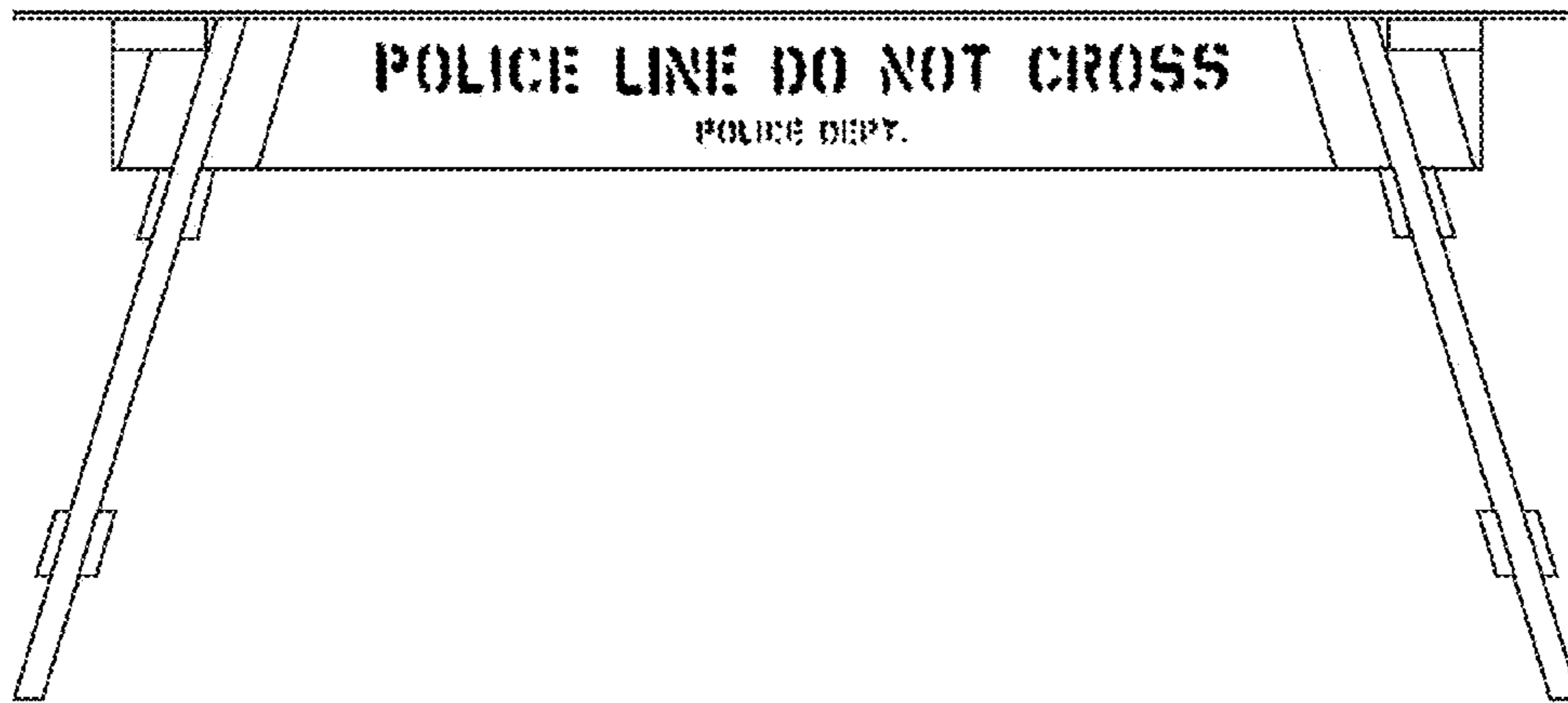


FIG. 1

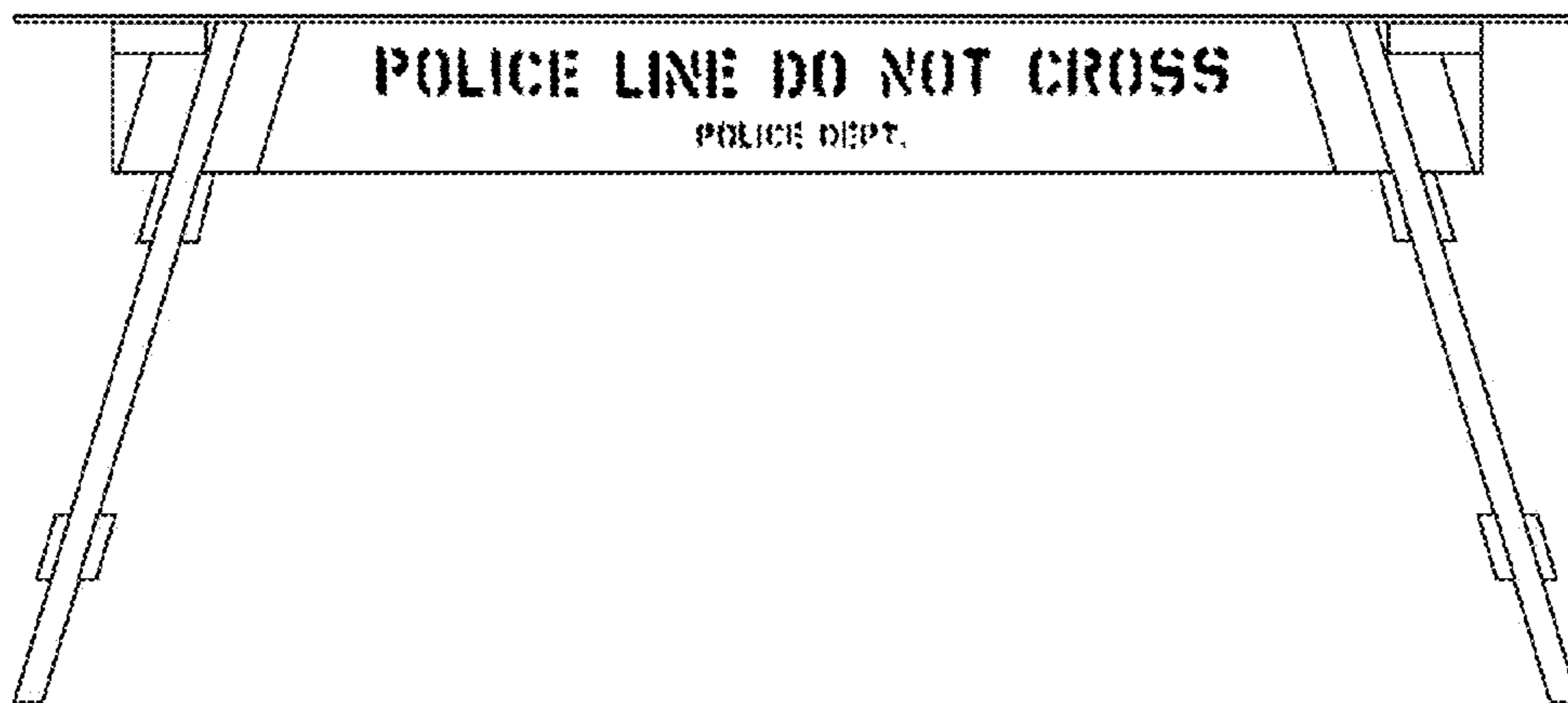


FIG. 2

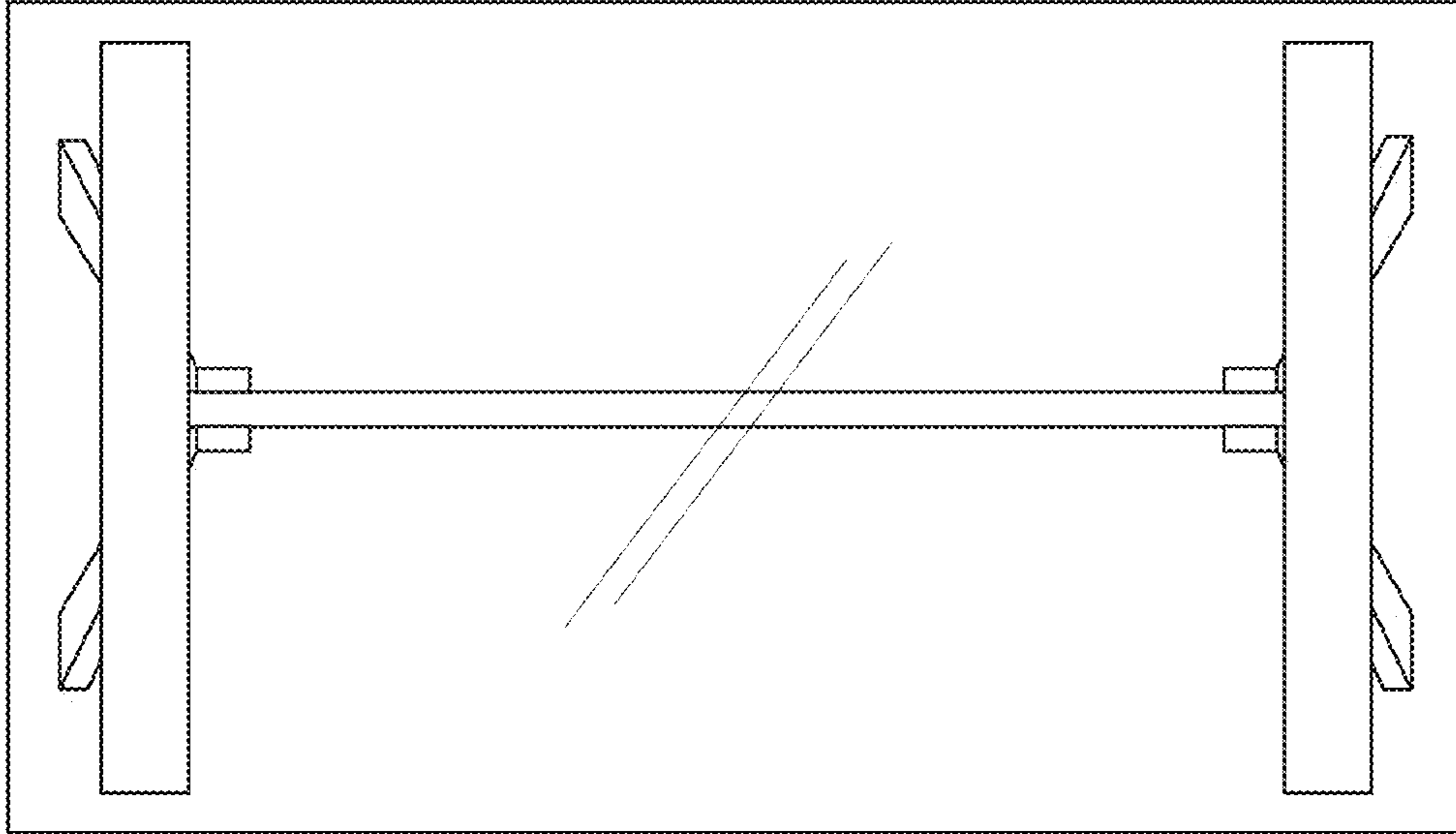


FIG. 3

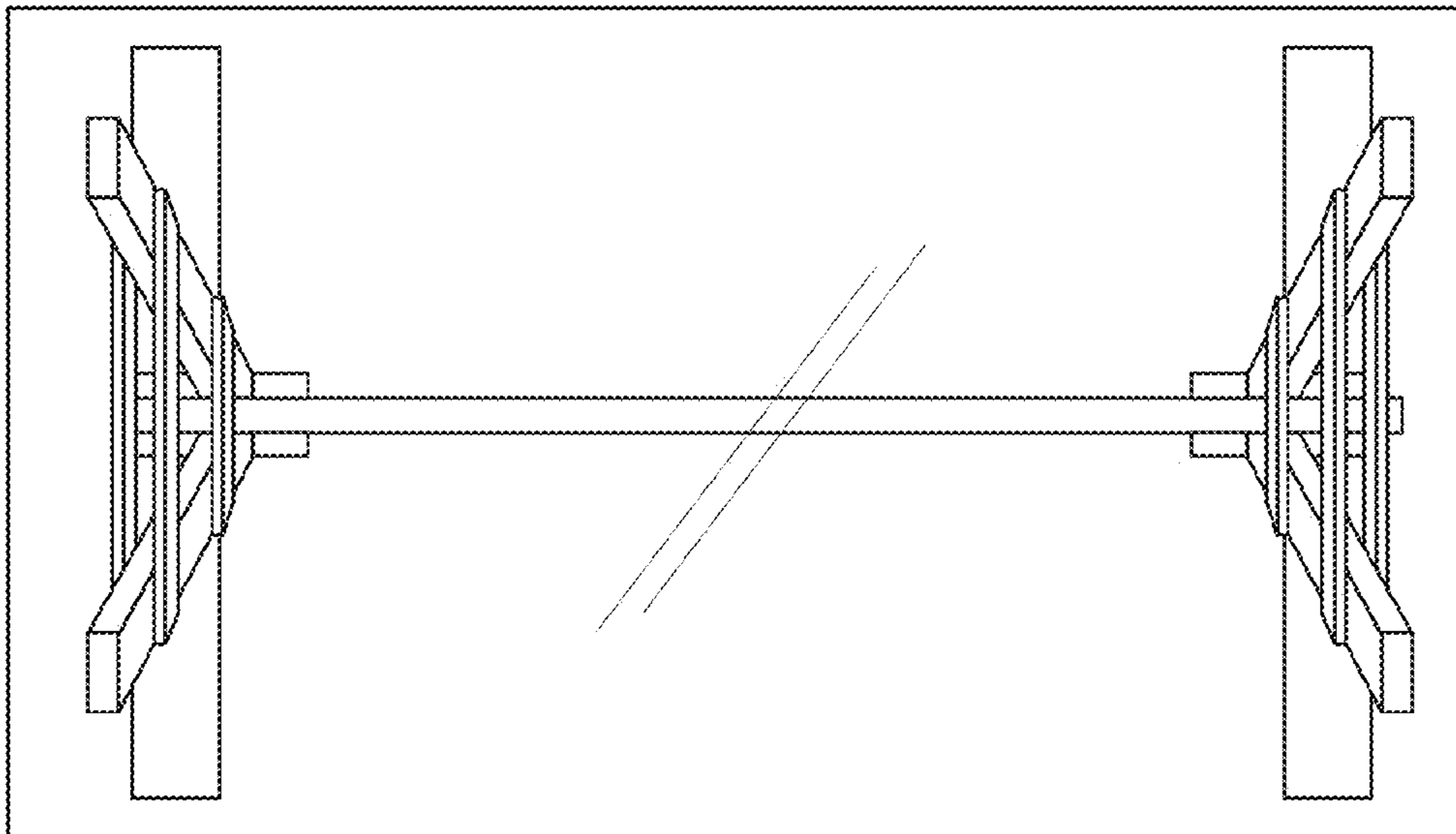


FIG. 4

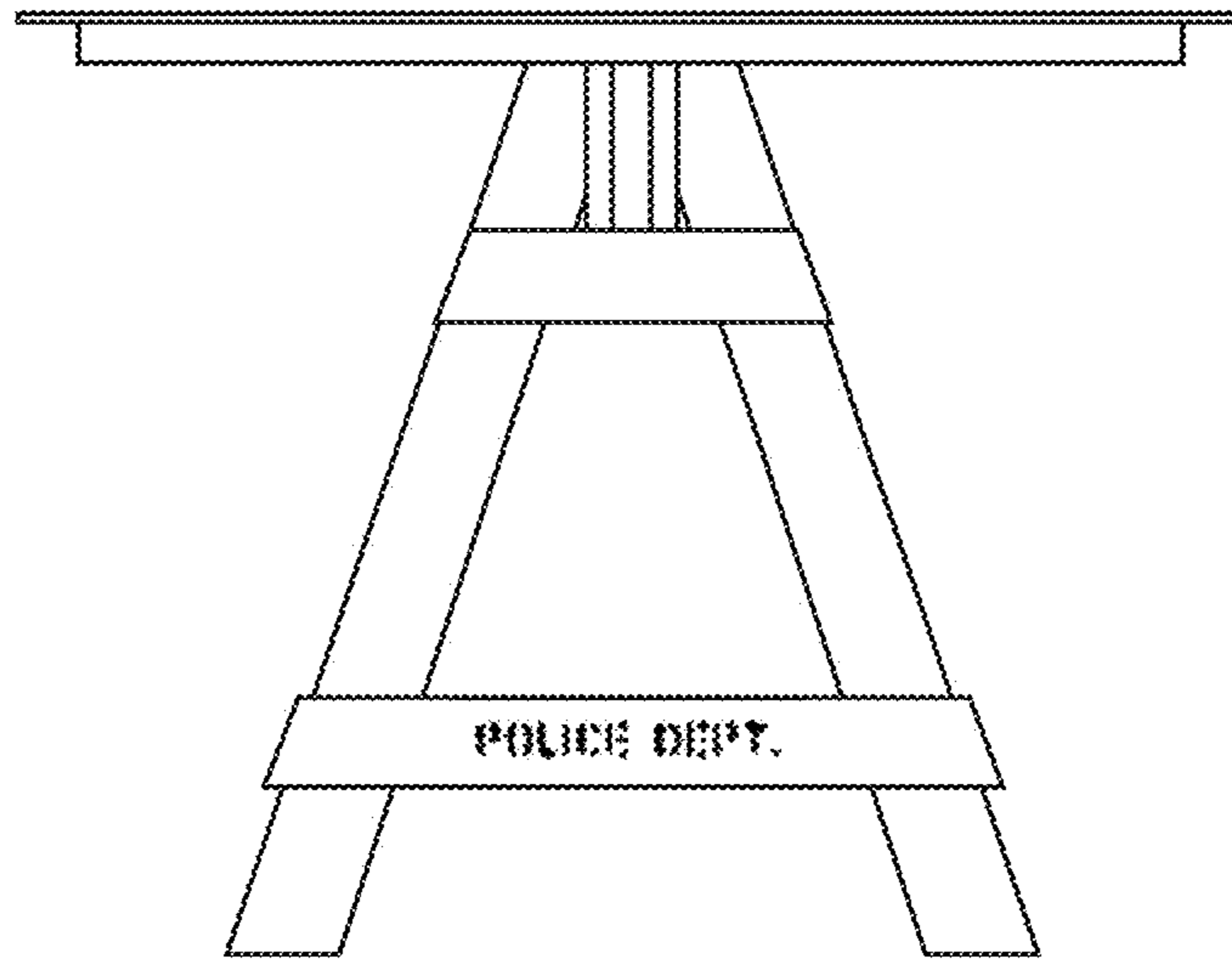


FIG. 5

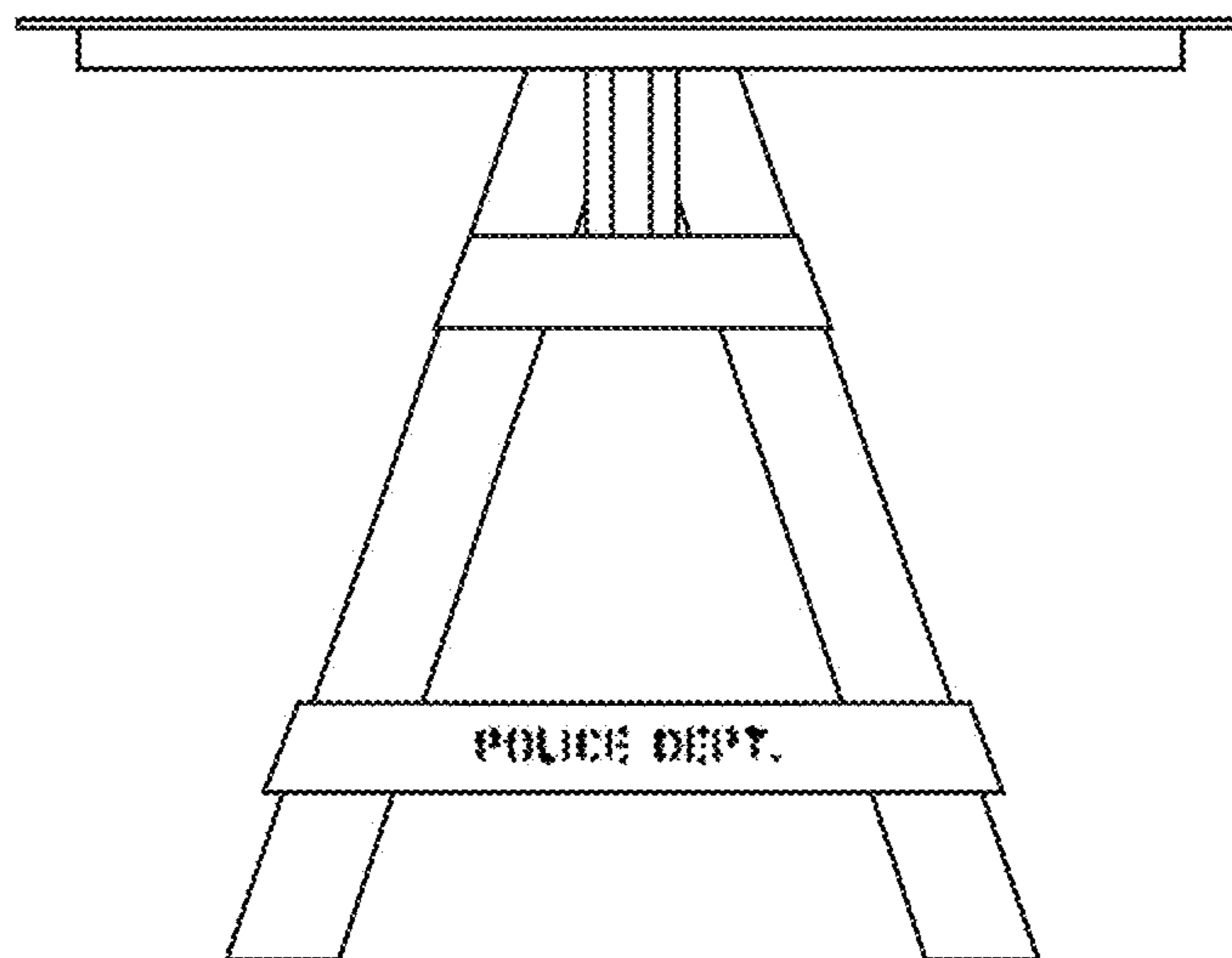


FIG. 6

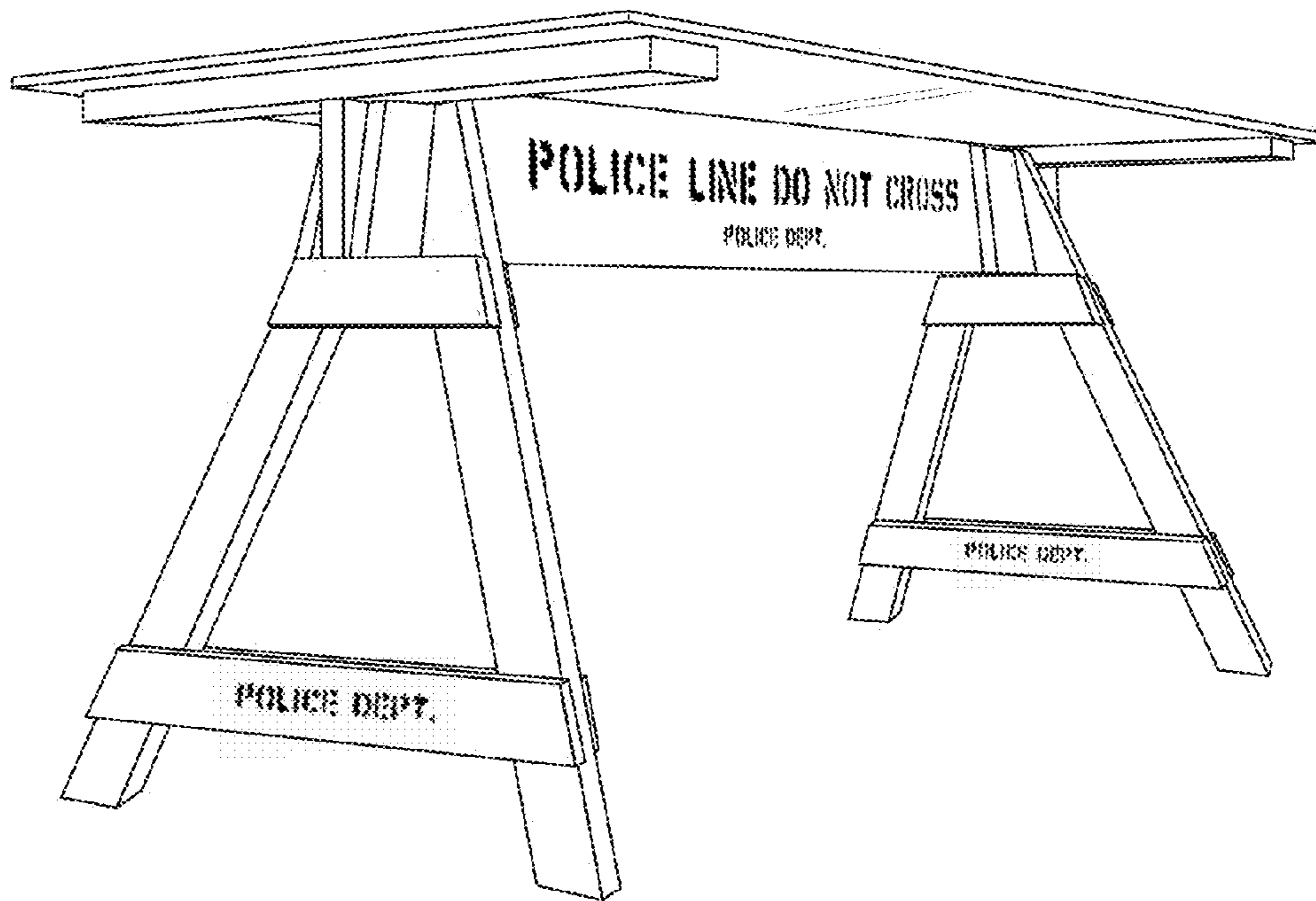


FIG. 7