



US00D729555S

(12) **United States Design Patent**
Saigauvker et al.

(10) **Patent No.:** **US D729,555 S**

(45) **Date of Patent:** **** May 19, 2015**

(54) **WORK BENCH**

(56) **References Cited**

(71) Applicant: **THE STANLEY WORKS ISRAEL LTD.**, Rosh Ha' Ayin (IL)

U.S. PATENT DOCUMENTS

(72) Inventors: **Shalom Saigauvker**, Rosh-Ha' Ayin (IL); **Nadin Daniel Horovitz**, Rehovot (IL); **Yosi Sabbag**, Holon (IL)

D250,079	S	*	10/1978	Hickman et al.	D6/400
D256,533	S	*	8/1980	Alessio	D6/400
D256,641	S	*	9/1980	Wilson et al.	D6/400
D279,736	S	*	7/1985	Zastera et al.	D6/400
4,757,849	A	*	7/1988	Morris	144/287
D351,295	S	*	10/1994	Noniewicz	D6/400
D374,996	S	*	10/1996	Noniewicz	D6/400
D386,624	S	*	11/1997	Meisner et al.	D6/400
D448,200	S	*	9/2001	Sagol	D6/400
D448,948	S	*	10/2001	Wolff	D6/400
D572,937	S	*	7/2008	Wenskowski	D6/400
D577,507	S	*	9/2008	Collins et al.	D6/400
2003/0214088	A1	*	11/2003	Chang	269/139
2010/0199890	A1	*	8/2010	Corria de Castro et al.	108/56.3

(73) Assignee: **The Stanley Works Israel Ltd.**, Rosh Ha' ayin (IL)

(**) Term: **14 Years**

* cited by examiner

(21) Appl. No.: **29/448,570**

Primary Examiner — Karen E Kearney

(22) Filed: **Mar. 13, 2013**

Assistant Examiner — Catherine Posthauer

(30) **Foreign Application Priority Data**

(74) *Attorney, Agent, or Firm* — Gabriel A. Haboubi

Oct. 10, 2012 (EM) 001346530

(51) **LOC (10) Cl.** **06-03**

(57) **CLAIM**

The ornamental design for a work bench, as shown and described.

(52) **U.S. Cl.**

DESCRIPTION

USPC **D6/684**

(58) **Field of Classification Search**

CPC B25H 1/00; B25H 1/18

USPC D6/340, 684; D15/127; D21/522;

D25/62, 67; D34/18; 108/56.3;

144/285, 288, 286, 287; 269/16, 139,

269/152, 155; 83/477.2

FIG. 1 is a left front perspective view of our new design.

FIG. 2 is a front view thereof.

FIG. 3 is a rear view thereof.

FIG. 4 is a left side view thereof.

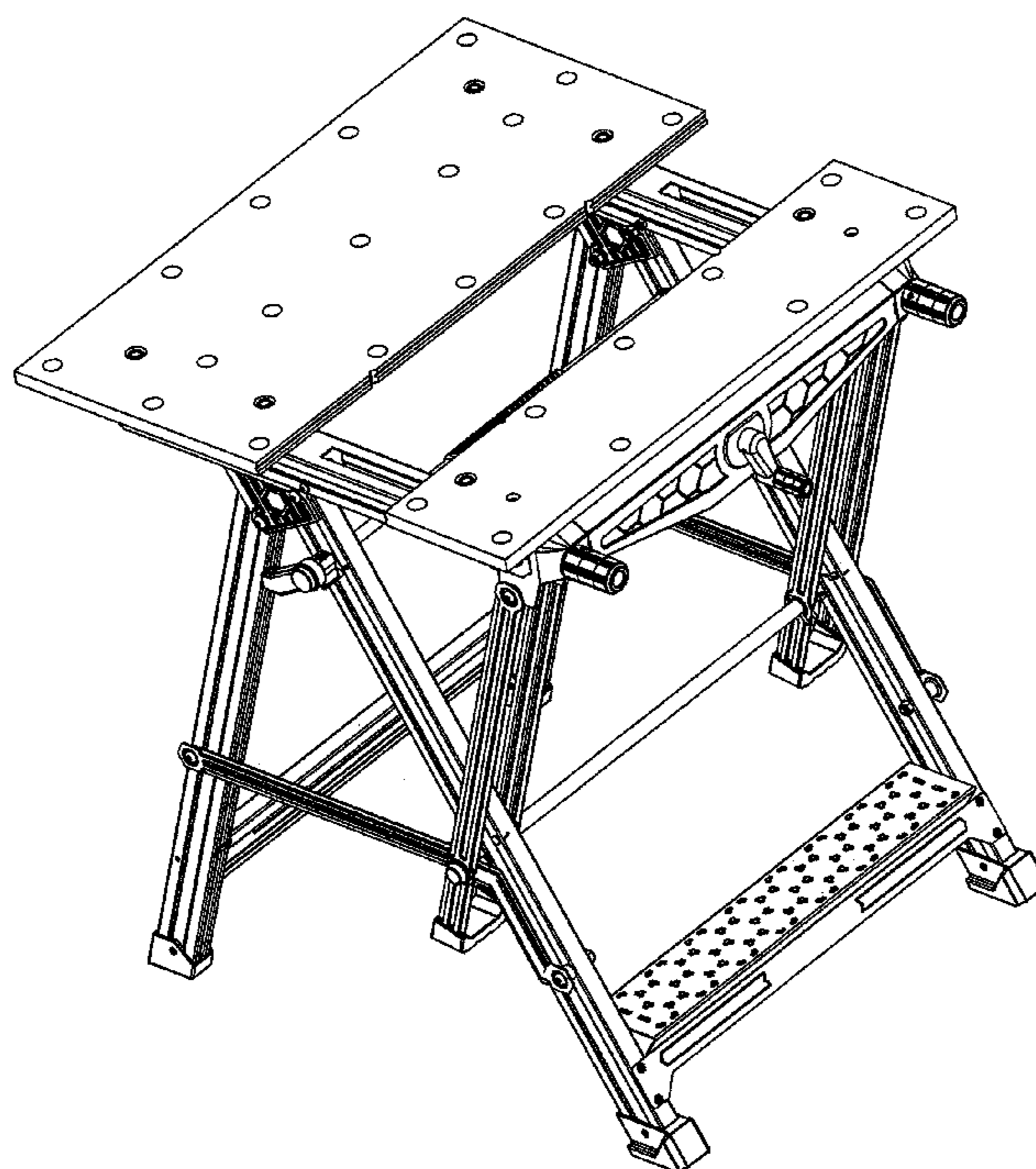
FIG. 5 is a right side view thereof.

FIG. 6 is a top view thereof; and,

FIG. 7 is a bottom view thereof.

See application file for complete search history.

1 Claim, 7 Drawing Sheets



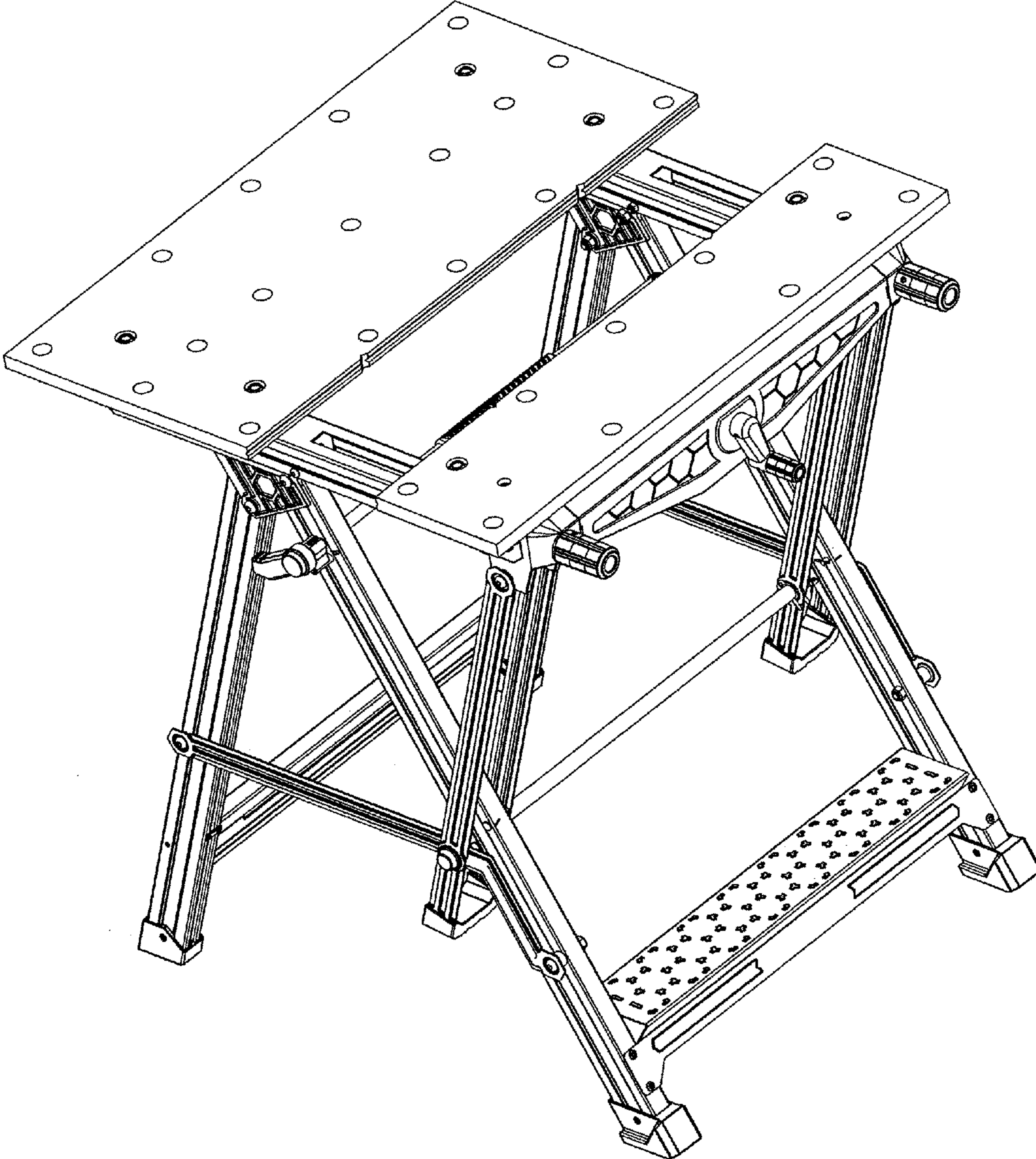


FIG.1

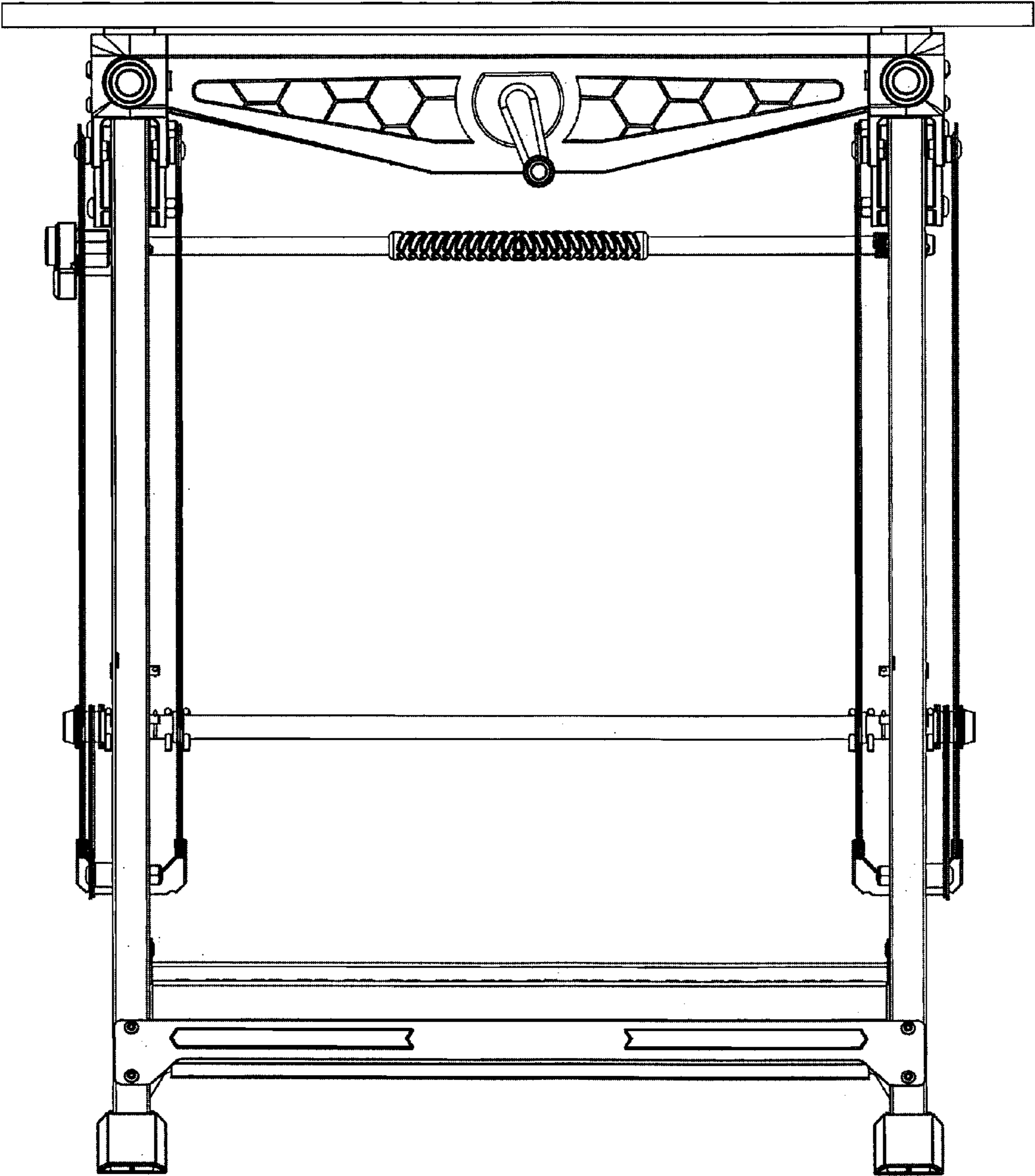


FIG.2

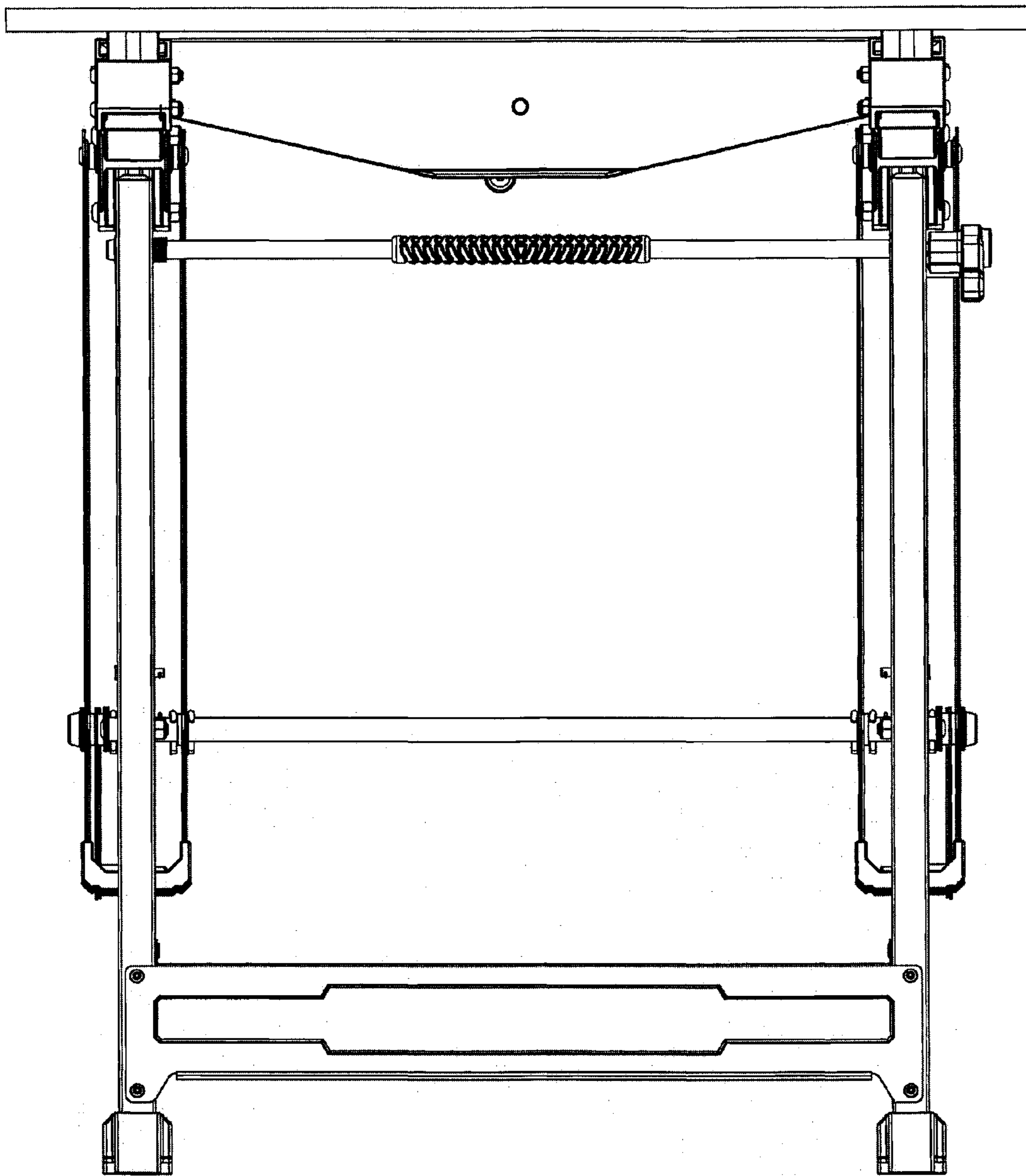


FIG.3

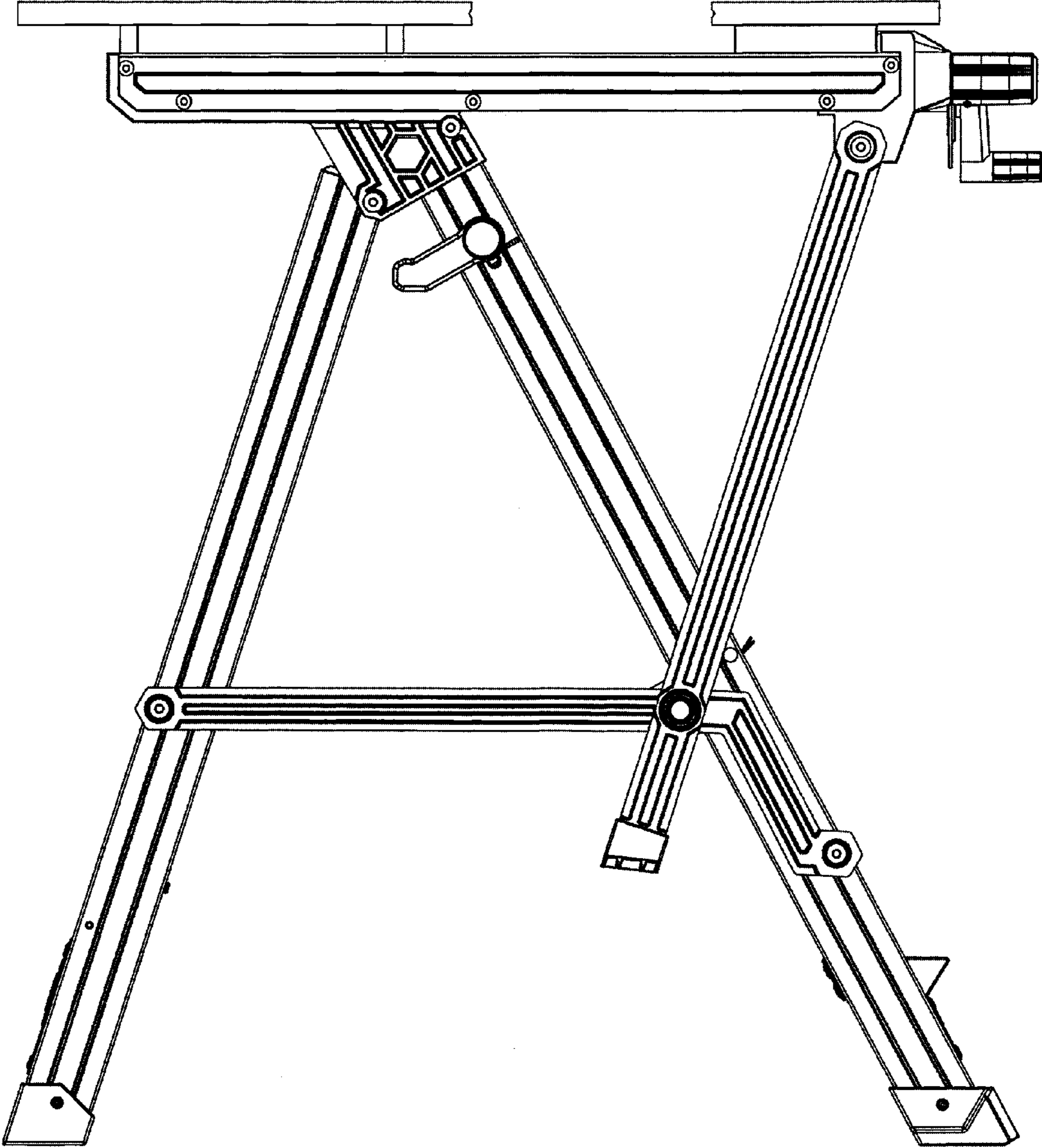


FIG.4

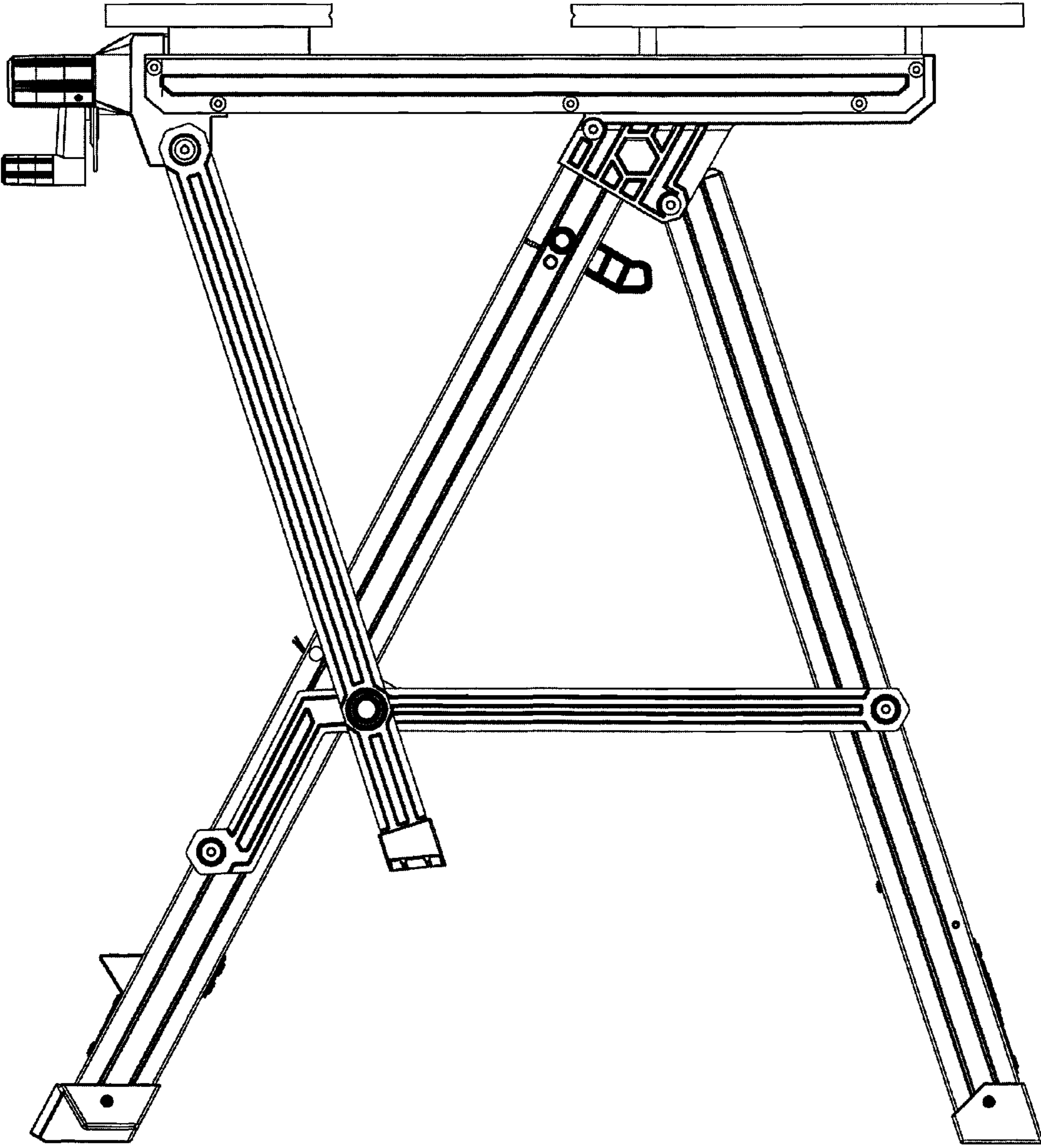


FIG.5

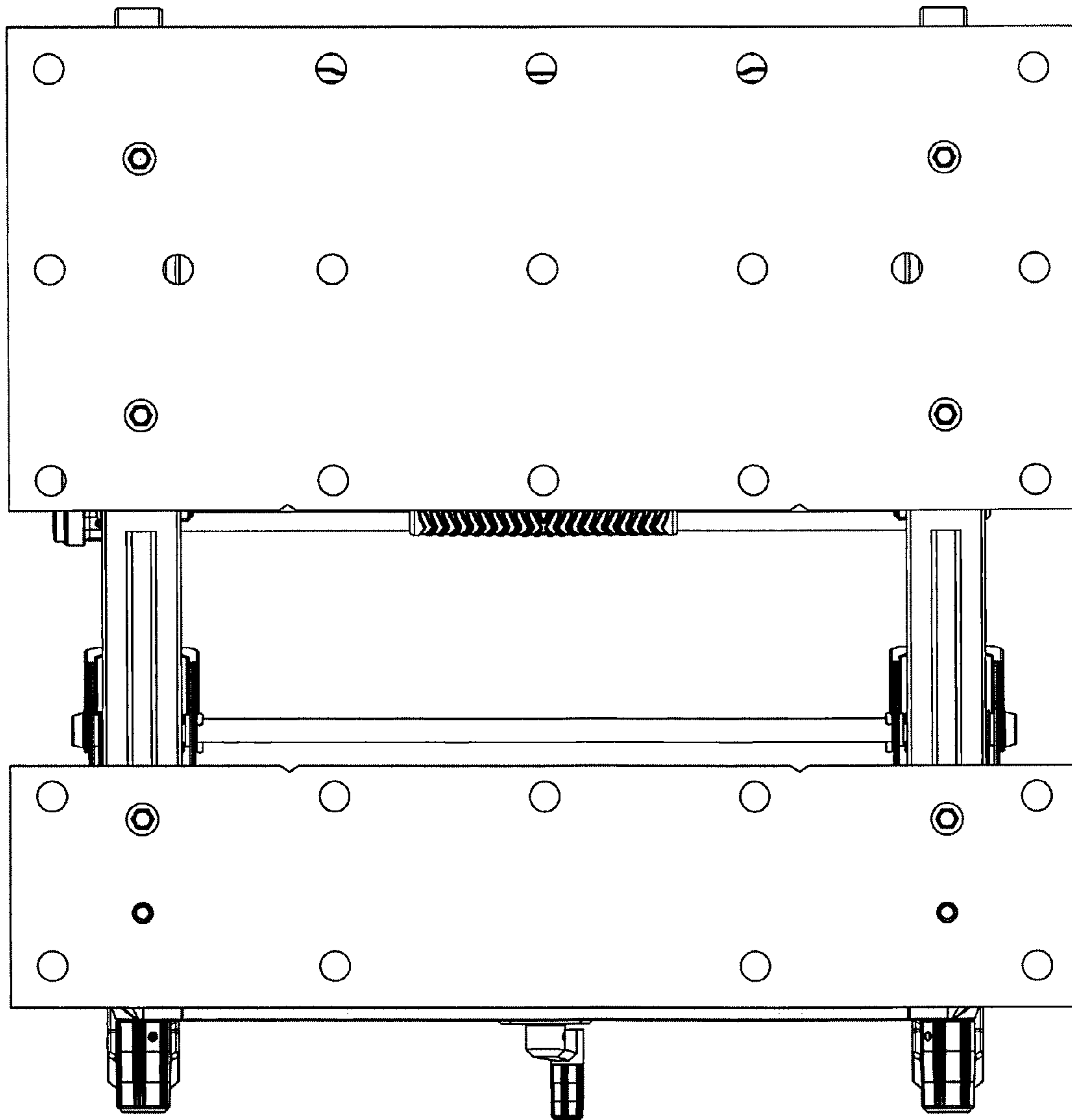


FIG.6

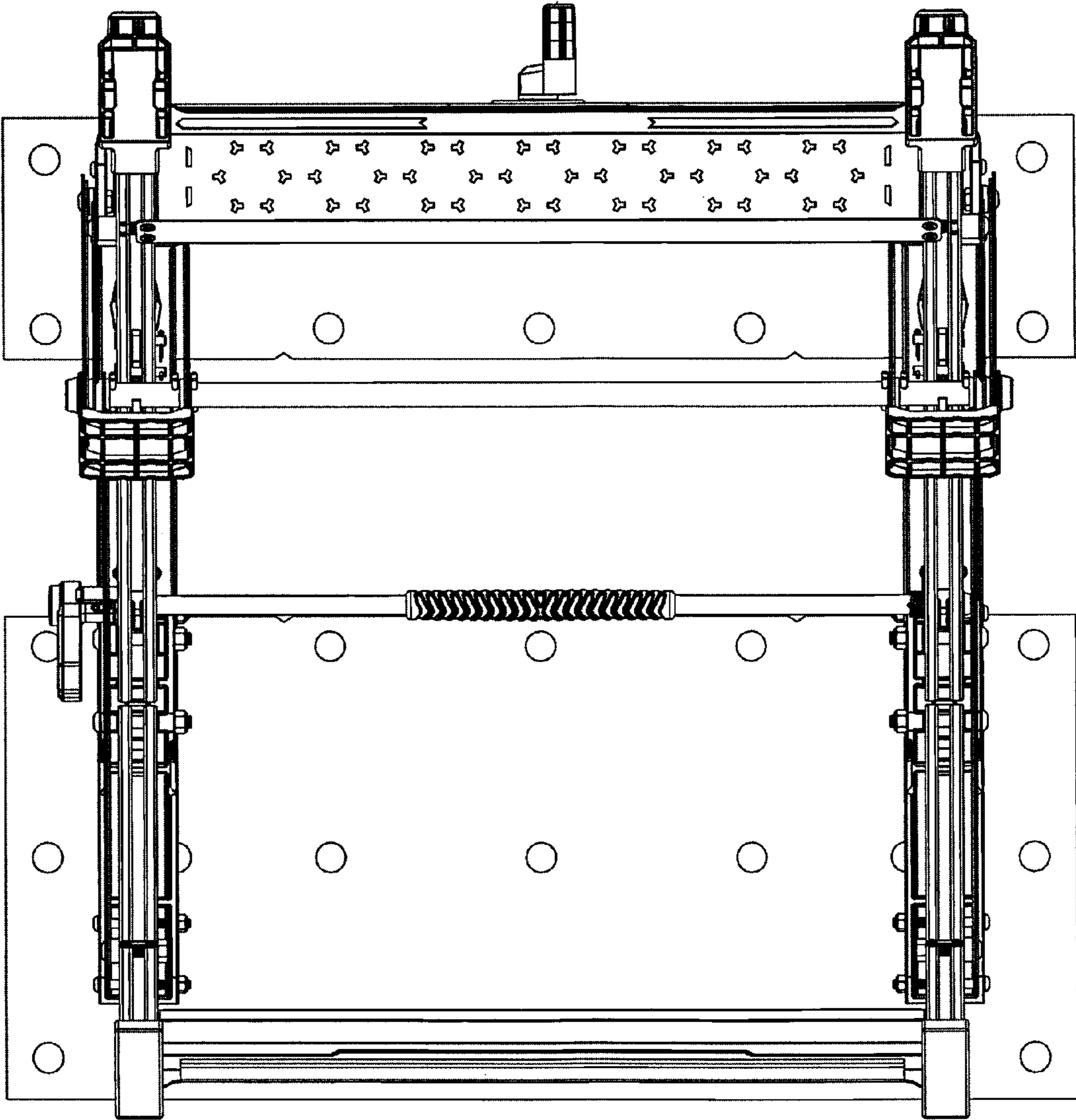


FIG.7