



US00D729554S

(12) **United States Design Patent**
Denby et al.

(10) **Patent No.:** **US D729,554 S**
(45) **Date of Patent:** **** May 19, 2015**

(54) **DISPLAY FIXTURE**

(71) Applicant: **TARGET BRANDS, INC.**,
Minneapolis, MN (US)

(72) Inventors: **Scott E. Denby**, Minneapolis, MN (US);
Nicholas Angvall, Minneapolis, MN
(US)

(73) Assignee: **TARGET BRANDS, INC.**,
Minneapolis, MN (US)

(**) Term: **14 Years**

(21) Appl. No.: **29/486,530**

(22) Filed: **Mar. 31, 2014**

(51) **LOC (10) Cl.** **06-04**

(52) **U.S. Cl.**
USPC **D6/681**

(58) **Field of Classification Search**

CPC A47F 5/16; A47F 5/0025; A47F 5/10;
A47F 5/0081; A47B 19/00; A47B 19/002;
A47B 23/043; A47B 23/00; A47B 23/001;
A47B 97/08; A47B 97/06; A47B 97/04;
A47B 97/02

USPC D6/681, 681.1, 672, 682, 656.11, 681.2,
D6/329, 332, 310, 396, 406.3-406.6;
D19/91; D34/21; 211/27, 134, 85.17,
211/85.26, 195; 248/457, 444.1, 445, 446,
248/453, 464, 454, 460, 163.1, 188.2,
248/188.6, 176.1, 432, 166; 84/327; 108/1,
108/6

See application file for complete search history.

(56) **References Cited**

U.S. PATENT DOCUMENTS

485,831 A 11/1892 Albin
795,152 A 7/1905 Montgomery
905,163 A 12/1908 Finney et al.
1,519,289 A 12/1924 Allen
1,576,420 A 3/1926 Folts

1,722,405 A 7/1929 Wilkins
2,713,424 A 7/1955 Thompson
2,805,776 A 9/1957 Levitin
2,937,768 A 5/1960 Davis
3,897,876 A 8/1975 Feldman
4,119,289 A * 10/1978 Kanocz 248/454
4,248,161 A * 2/1981 Adair et al. 108/6
4,262,606 A * 4/1981 Hodson 108/99
4,383,486 A * 5/1983 Reineman et al. 108/2
4,431,156 A * 2/1984 Mena 248/445
D288,509 S * 3/1987 van de Oudeweetering .. D6/496
4,718,630 A * 1/1988 Richard 248/444.1

(Continued)

OTHER PUBLICATIONS

Office Action from Canadian Patent Application No. 156384, mailed Oct. 30, 2014 (1 page).

Primary Examiner — Cathron Brooks

Assistant Examiner — Clese Moore, Jr.

(74) *Attorney, Agent, or Firm* — Griffiths & Seaton PLLC;
JoAnn M. Seaton

(57) **CLAIM**

The ornamental design for a display fixture, as shown and described.

DESCRIPTION

FIG. 1 is a front, perspective view of a display fixture showing our new design;

FIG. 2 is a front view thereof;

FIG. 3 is a rear view thereof;

FIG. 4 is a right side view thereof, the left side view being a mirror image of the right side view;

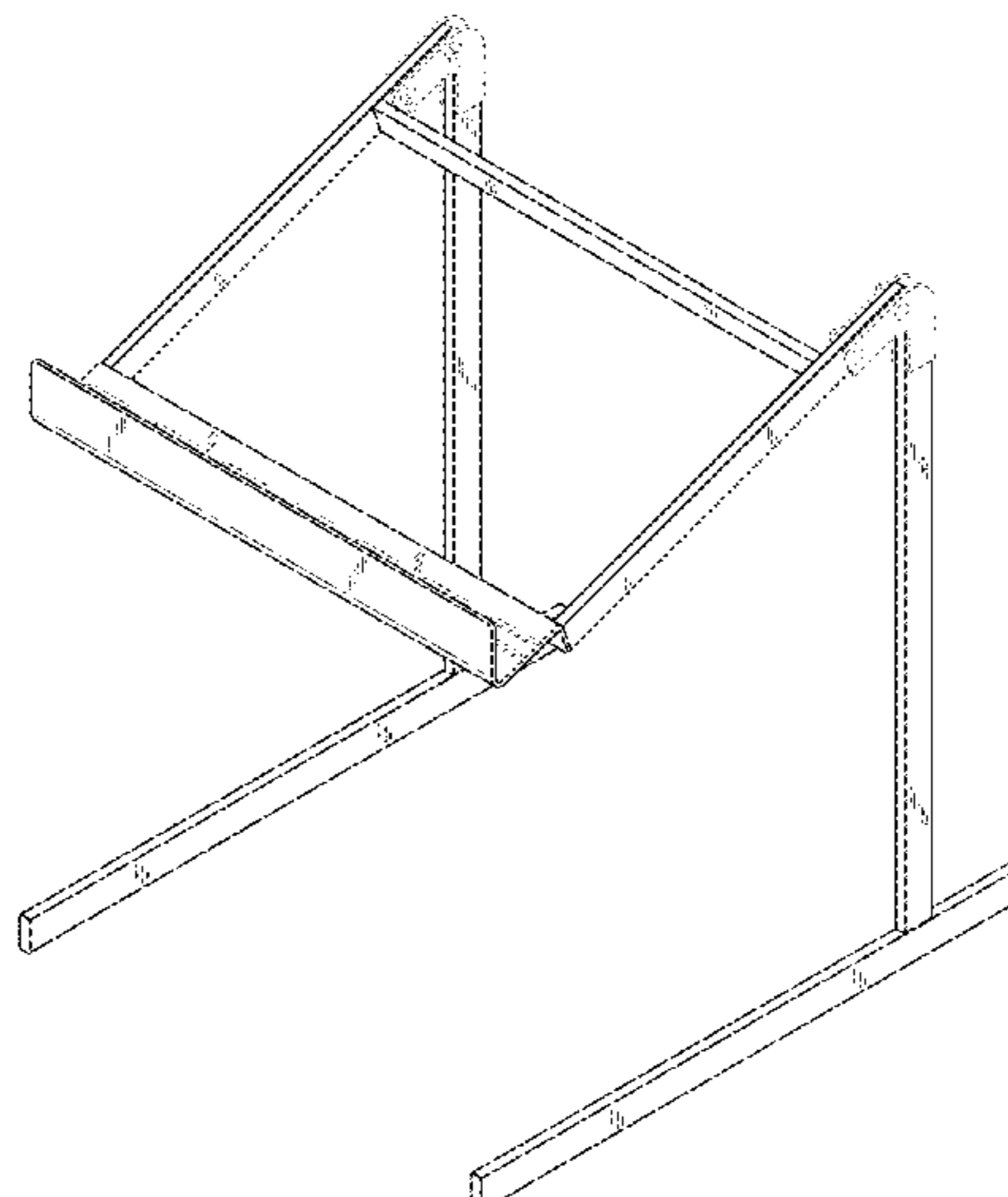
FIG. 5 is a top view thereof; and,

FIG. 6 is a bottom view thereof.

FIG. 7 is a front, perspective view of the display fixture of FIG. 1 showing our new design with additional environmental subject matter illustrated in broken lines.

The features shown in broken lines are portions of the display fixture or environmental subject matter to the display fixture forming no part of the claimed design.

1 Claim, 7 Drawing Sheets



(56)

References Cited

U.S. PATENT DOCUMENTS

4,726,556 A * 2/1988 Weir 248/454
 4,895,381 A 1/1990 Farlow
 5,027,956 A 7/1991 Lutufo
 5,129,616 A * 7/1992 Carson 248/457
 D345,242 S * 3/1994 Bunn D34/5
 5,301,616 A * 4/1994 Wacker et al. 108/27
 5,417,168 A * 5/1995 Soper 108/124
 D393,512 S * 4/1998 Van de Oudeweetering .. D34/21
 D406,201 S * 3/1999 Olson et al. D6/426
 D470,336 S * 2/2003 Malizia D6/462
 6,910,590 B2 6/2005 Meier
 6,941,876 B1 * 9/2005 Traino 108/6

D515,844 S * 2/2006 Pryor D6/464
 7,266,933 B2 * 9/2007 Pasek 52/749.1
 7,893,332 B1 * 2/2011 Lundberg 84/327
 D635,797 S * 4/2011 Xingyin D6/420
 D638,638 S * 5/2011 Fitzpatrick et al. D6/429
 D640,485 S * 6/2011 Dugger D6/462
 D716,079 S * 10/2014 Su D6/675.1
 8,967,579 B2 * 3/2015 Tsai 248/371
 2001/0054674 A1 * 12/2001 Turner 248/441.1
 2008/0224515 A1 * 9/2008 Cui et al. 297/256.12
 2010/0307382 A1 * 12/2010 Mammana et al. 108/5
 2011/0147547 A1 * 6/2011 Fitzpatrick et al. 248/157
 2012/0260830 A1 * 10/2012 Luiten 108/6
 2013/0248473 A1 9/2013 Liu et al.
 2014/0366276 A1 * 12/2014 Chang et al. 5/655

* cited by examiner

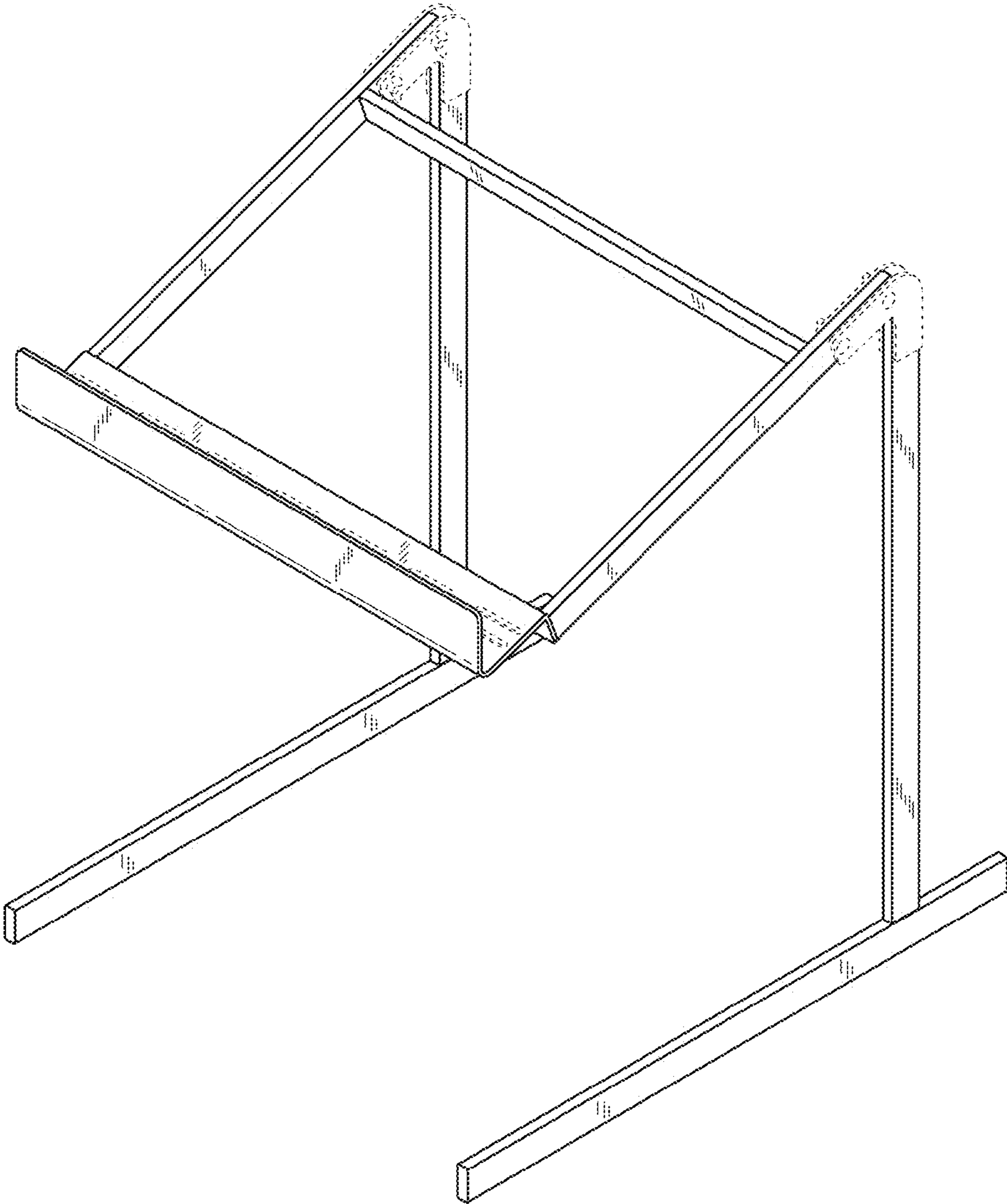


FIG. 1

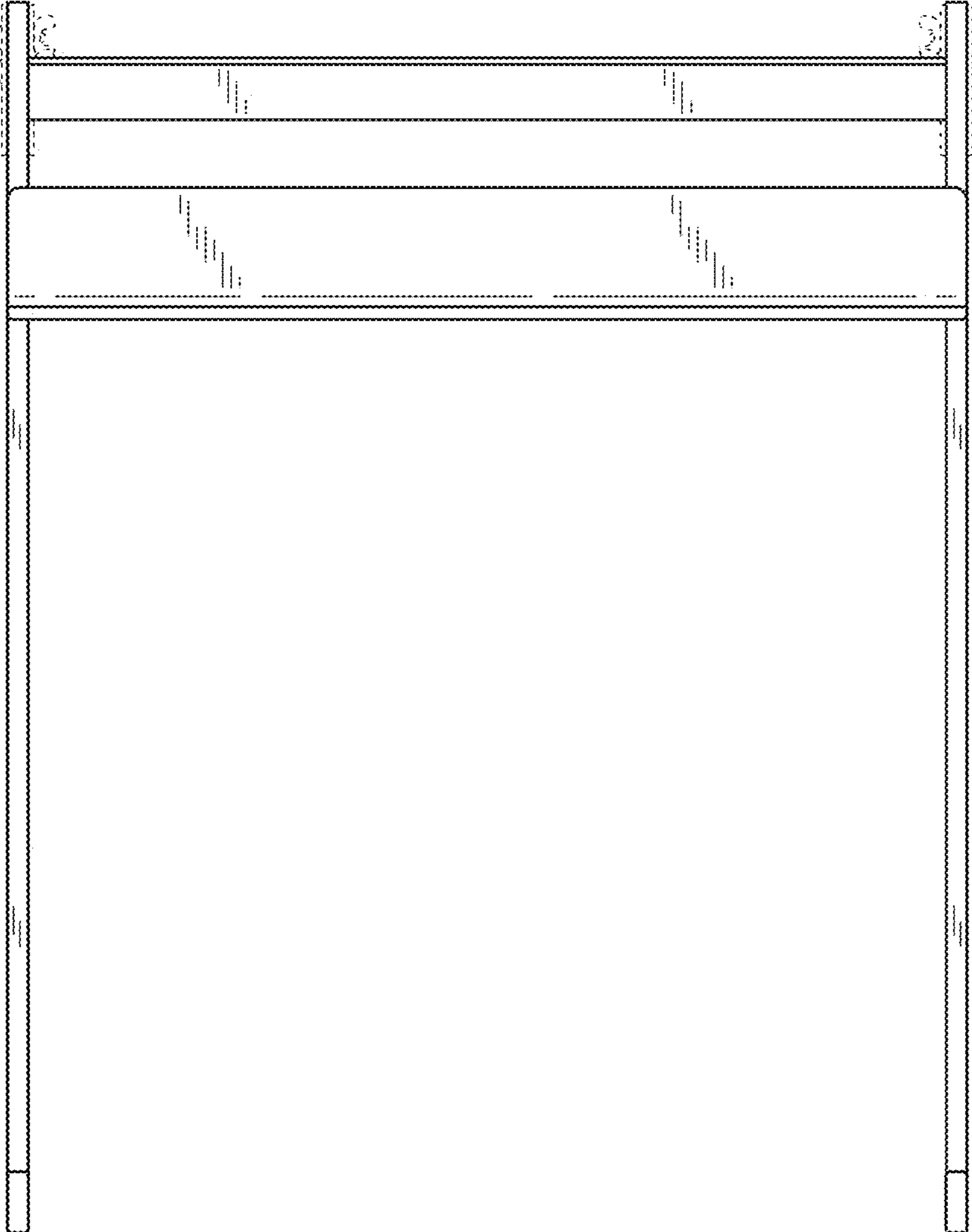


FIG. 2

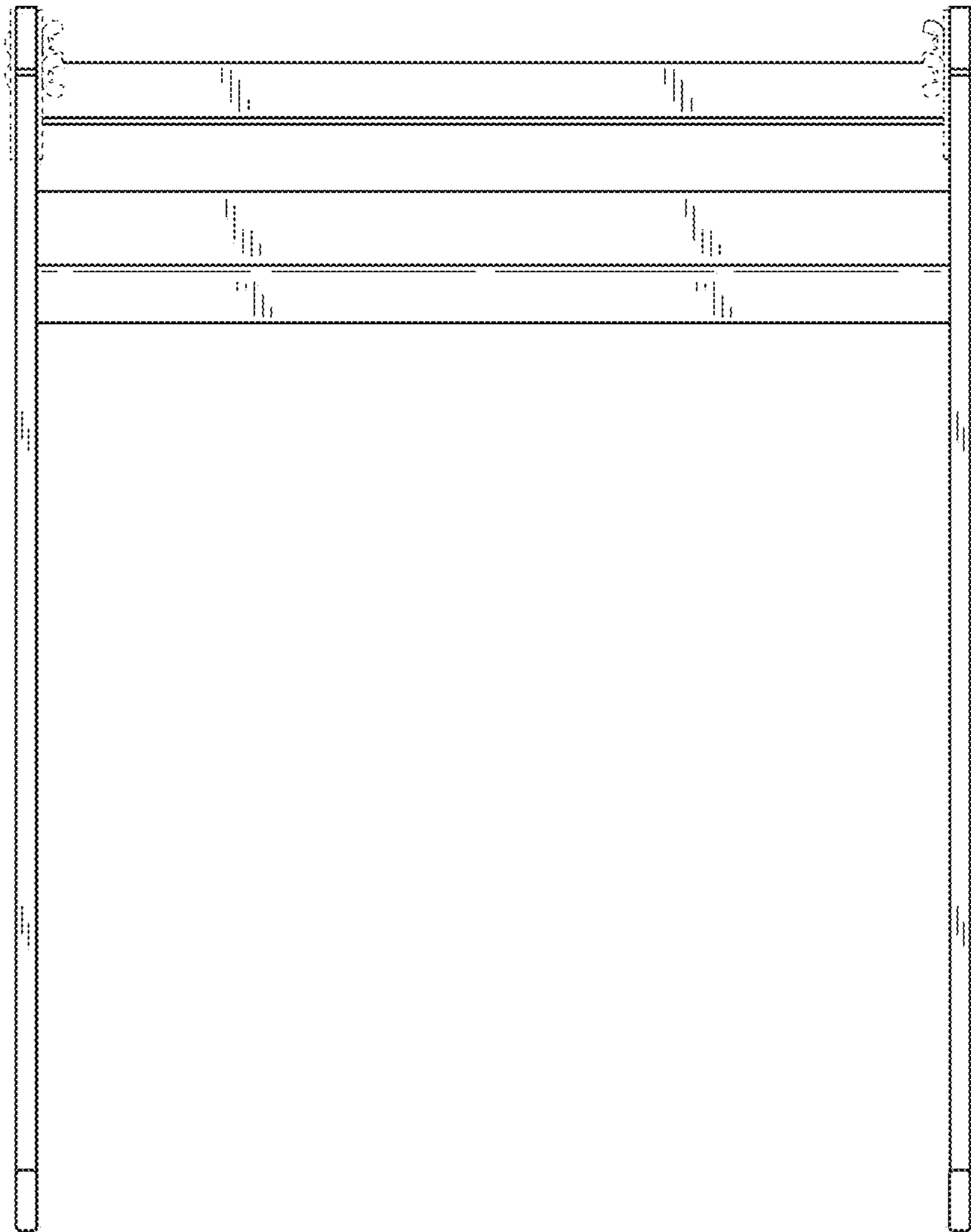


FIG. 3

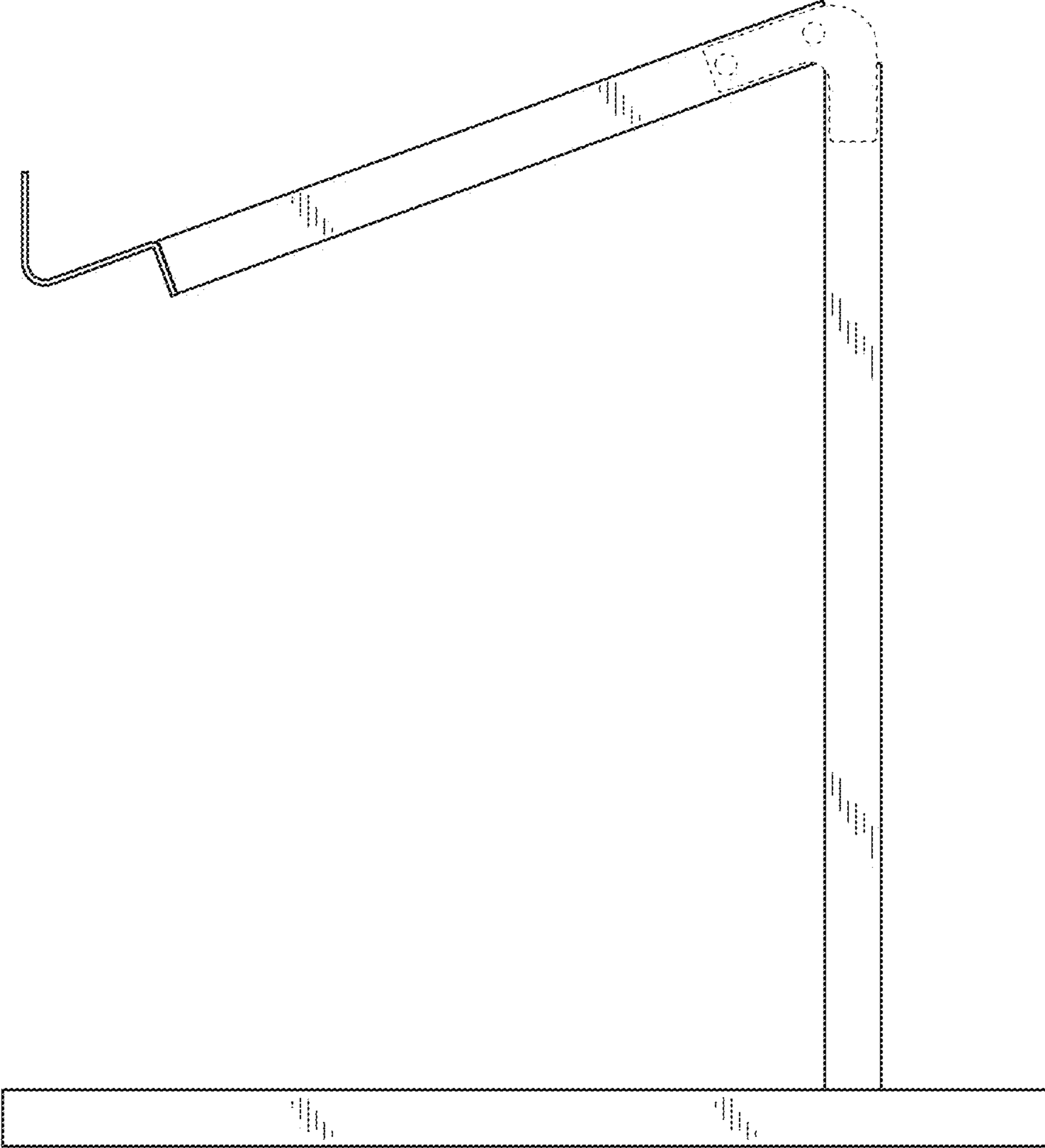


FIG. 4

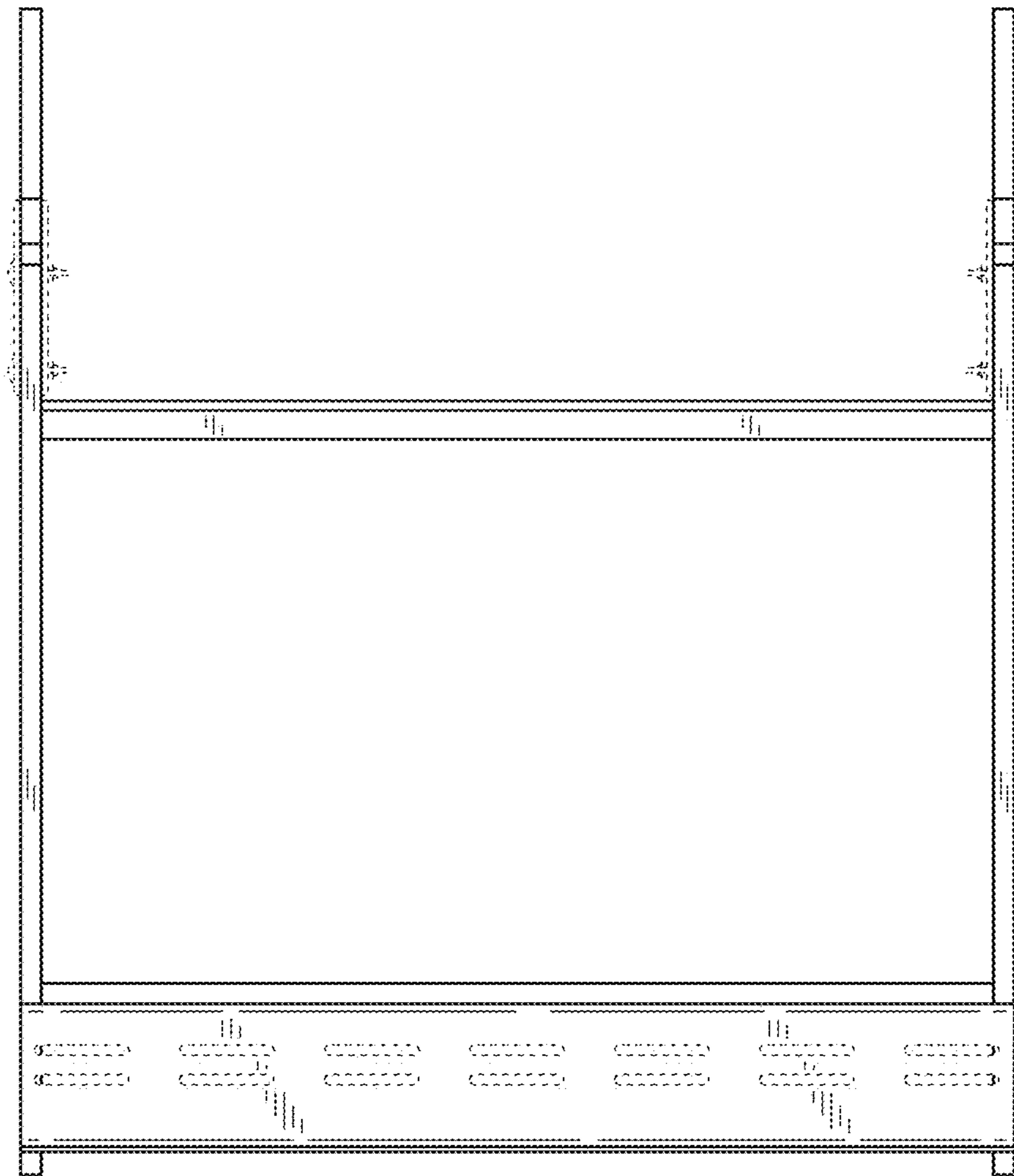


FIG. 5

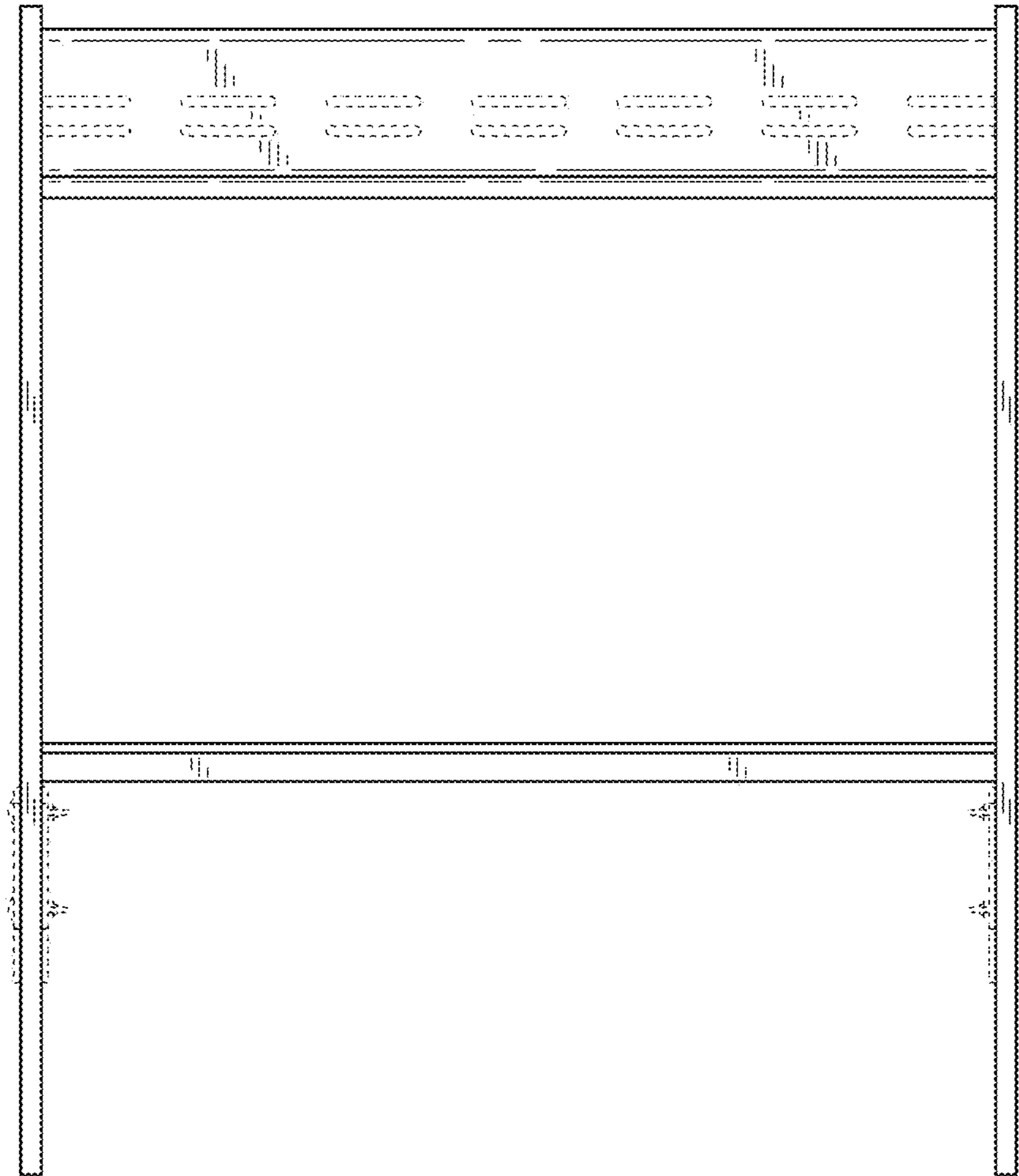


FIG. 6

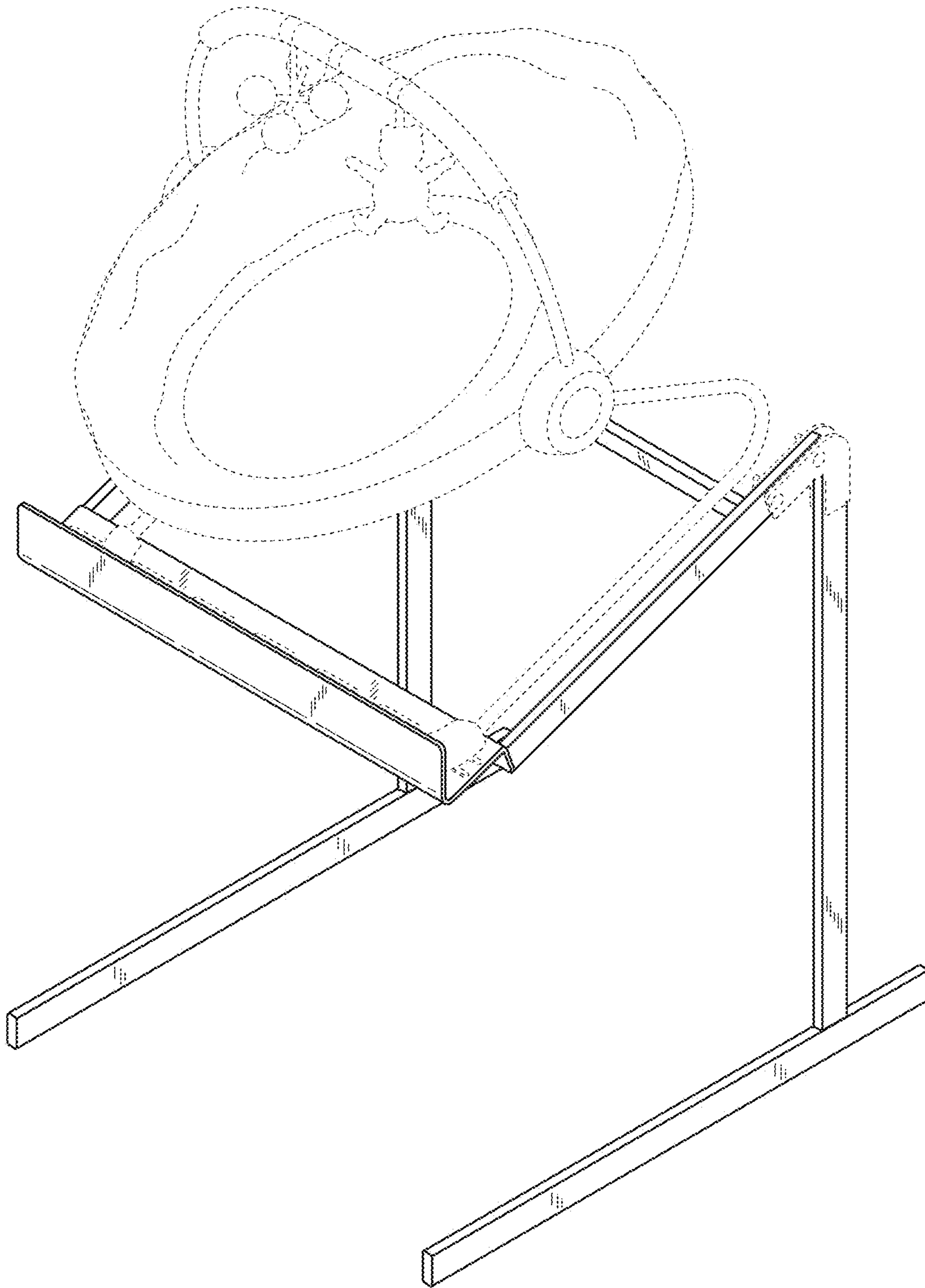


FIG. 7