



US00D729553S

(12) **United States Design Patent**  
**Trinh et al.**

(10) **Patent No.:** **US D729,553 S**

(45) **Date of Patent:** **\*\* May 19, 2015**

(54) **DISPLAY FIXTURE**

html, publicly available at least as early as Apr. 28, 2012, per <http://web.archive.org> (3 pages).

(71) Applicant: **TARGET BRANDS, INC.**,  
Minneapolis, MN (US)

(Continued)

(72) Inventors: **Nick Quang Trinh**, Minneapolis, MN  
(US); **Judd Steven Kivi**, Minneapolis,  
MN (US); **Matthew Dean Peterson**, Elk  
River, MN (US)

*Primary Examiner* — Cathron Brooks  
*Assistant Examiner* — Clese Moore, Jr.

(74) *Attorney, Agent, or Firm* — JoAnn M. Seaton; Griffiths  
& Seaton PLLC

(73) Assignee: **Target Brands, Inc.**, Minneapolis, MN  
(US)

(57) **CLAIM**

The ornamental design for a display fixture, as shown and  
described.

(\*\*) Term: **14 Years**

(21) Appl. No.: **29/480,466**

**DESCRIPTION**

(22) Filed: **Jan. 27, 2014**

(51) **LOC (10) Cl.** ..... **06-04**

(52) **U.S. Cl.**  
USPC ..... **D6/681**

(58) **Field of Classification Search**

CPC ..... F16M 11/041; F16M 11/10; F16M 11/22;  
F16M 11/04; F16M 11/00; G06F 1/1633;  
E05B 73/0005; E05B 73/0082  
USPC ..... D6/681, 681.1, 672, 682, 312; D19/91;  
D12/415; D3/218; D14/432, 434, 439,  
D14/451, 452, 239, 251, 253; 70/14, 18, 30,  
70/49, 58, 57; 248/121, 176.1, 551, 454,  
248/451, 924, 917, 292.12

See application file for complete search history.

FIG. 1 is a front, perspective view of a display fixture showing  
our new design;  
FIG. 2 is a rear, perspective view thereof;  
FIG. 3 is a front view thereof;  
FIG. 4 is a rear view thereof;  
FIG. 5 is a right side view thereof;  
FIG. 6 is a left side view thereof;  
FIG. 7 is a top view thereof; and  
FIG. 8 is a bottom view thereof.  
FIG. 9 is a front, perspective view of the display fixture of  
FIG. 1 shown with additional environmental subject matter;  
FIG. 10 is a rear, perspective view thereof;  
FIG. 11 is a front view thereof;  
FIG. 12 is a rear view thereof;  
FIG. 13 is a right side view thereof;  
FIG. 14 is a left side view thereof;  
FIG. 15 is a top view thereof; and,  
FIG. 16 is a bottom view thereof.

The features shown in broken lines are portions of the display  
fixture or environmental subject matter to the display fixture  
forming no part of the claimed design. The features shown in  
long dash-short dash bolded broken lines indicate the bounds  
of the claimed design and otherwise form no part of the  
claimed design.

(56) **References Cited**

U.S. PATENT DOCUMENTS

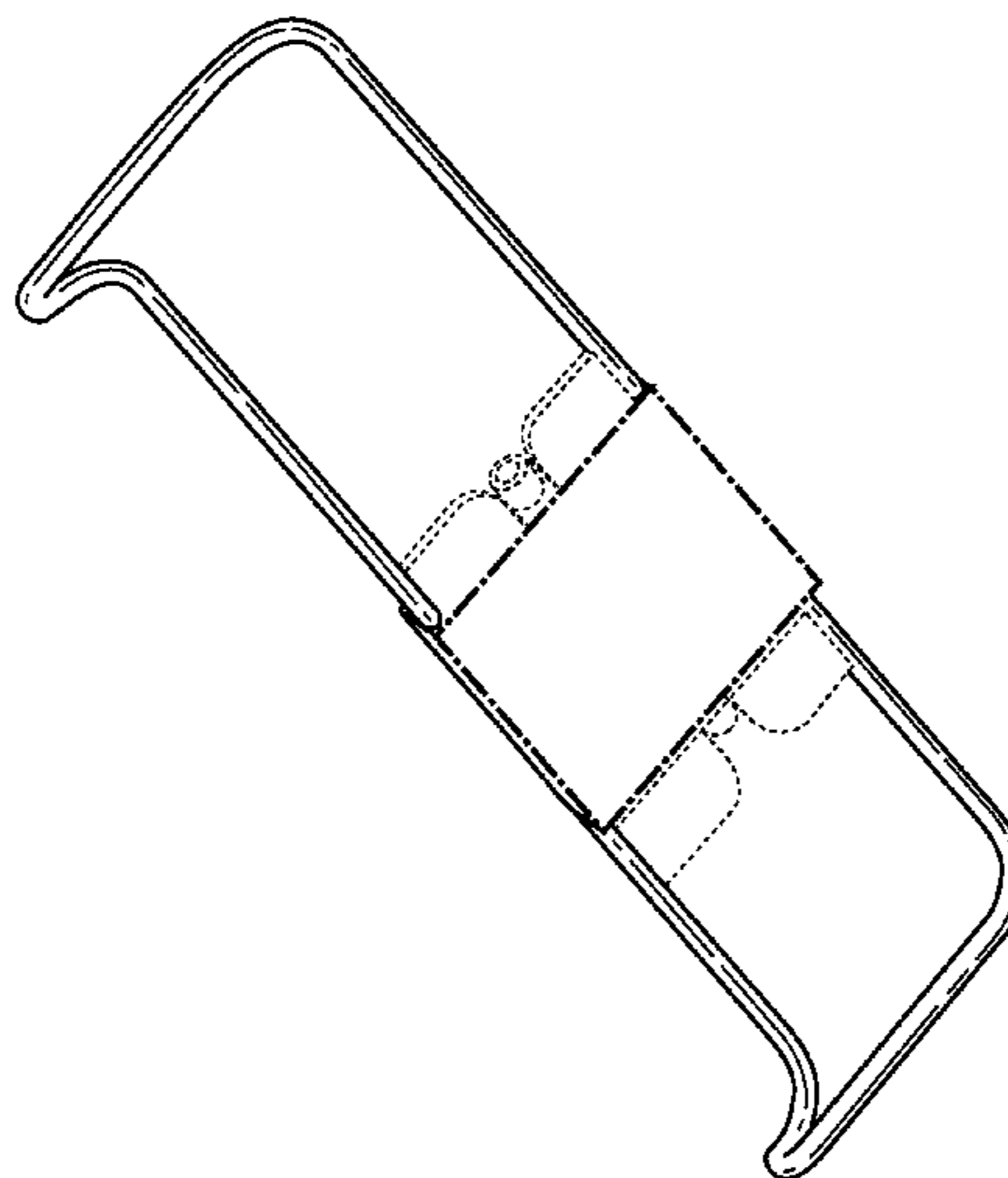
D305,837 S *	2/1990	Bowman	.....	D6/419
D348,992 S *	7/1994	Arima	.....	D6/420
D385,717 S *	11/1997	Howell	.....	D6/419
6,161,708 A *	12/2000	Myler	.....	211/90.02
D564,220 S *	3/2008	Dixon	.....	D3/218

(Continued)

OTHER PUBLICATIONS

“Core-Tablet Protection,” printed from <http://americantheftprevention.com/Computer-Laptop-Security/Core-Tablet-Protection-p197>.

**1 Claim, 14 Drawing Sheets**



(56)

References Cited

U.S. PATENT DOCUMENTS

8,240,628	B2 *	8/2012	Huang	248/316.1
D669,890	S *	10/2012	Hopkins et al.	D14/251
D673,960	S *	1/2013	Lindfield et al.	D14/447
8,413,943	B1 *	4/2013	Li	248/454
8,418,514	B1 *	4/2013	Su	70/58
D686,629	S *	7/2013	Trinh et al.	D14/447
8,523,122	B2	9/2013	Johnson et al.	
D701,211	S *	3/2014	Ng	D14/440
D704,194	S *	5/2014	Young	D14/440
8,813,528	B2 *	8/2014	Olear et al.	70/14
8,814,128	B2 *	8/2014	Trinh et al.	248/551
2011/0062294	A1 *	3/2011	Johnson et al.	248/161
2012/0074271	A1 *	3/2012	Goetz	248/121
2012/0080577	A1 *	4/2012	McIntyre et al.	248/346.04
2012/0103863	A1 *	5/2012	Perez et al.	206/586
2013/0099087	A1 *	4/2013	Li	248/551
2013/0233763	A1 *	9/2013	Bulls, Jr.	206/767
2013/0301216	A1	11/2013	Trinh et al.	
2014/0130554	A1 *	5/2014	Su	70/15
2014/0204529	A1 *	7/2014	White et al.	361/679.55
2014/0328020	A1 *	11/2014	Galant	361/679.56

OTHER PUBLICATIONS

“AnyTab Interactive,” printed from <http://americantheftprevention.com/Computer-Laptop-Security/AnyTab-Interactive-p257.html>, publicly available at least as early as Dec. 16, 2013 (2 pages).

“iPad Retail Display Security,” printed from <http://www.vitag.com.au/products/ipad-retail-display-security>, publicly available at least as early as Mar. 17, 2012, per <http://web.archive.org> (5 pages).

“Universal Tablet E-reader Wall Mount Stand Lockable Security Device for iPad Air,” printed from [http://www.ebay.com/itm/universal-Tablet-e-reader-Wall-Mount-Stand-lockable-security-device-for-iPad-air-/261333811935?pt=US\\_Tablet\\_eReader\\_Mounts\\_Stands\\_Holders&hash=item3cd8b582df](http://www.ebay.com/itm/universal-Tablet-e-reader-Wall-Mount-Stand-lockable-security-device-for-iPad-air-/261333811935?pt=US_Tablet_eReader_Mounts_Stands_Holders&hash=item3cd8b582df), publicly available at least as early as Dec. 16, 2013 (3 pages).

“MIT’s Tether Technologies Improve Durability, Reduce False Alarms, and Extend Display Lifespan Over 4 Times That of Retractor-Based Systems,” [www.mit-interactive.com](http://www.mit-interactive.com), publicly available at least as early as May 2011 (9 pages).

“Tablet and Smartphone Merchandising Security & Power,” printed from <http://mti-interactive.com/categories-supported/?filter=term-15>, 2012 (5 pages).

U.S. Appl. No. 13/631,348, filed Sep. 28, 2012 (41 pages).

“360 Rotating Bed Tablet Mount Holder Stand for iPad & Tablet—86CM:33.85” Long, printed from [http://www.ebay.com/itm/360-Rotating-Bed-Tablet-Mount-Holder-Stand-fr-iPad-tablet-86CM-33-85-long-/261267965393?pt=US\\_Tablet\\_eReader\\_Mounts\\_Stands\\_Holders&hash=item3cd4c8c5d1](http://www.ebay.com/itm/360-Rotating-Bed-Tablet-Mount-Holder-Stand-fr-iPad-tablet-86CM-33-85-long-/261267965393?pt=US_Tablet_eReader_Mounts_Stands_Holders&hash=item3cd4c8c5d1), publicly available at least as early as Aug. 19, 2013 (12 pages).

“TB1 High Security Tablet Stand,” printed from <http://www.glove-tech.com/2011/07/tb1-stand-invie-2/>, publicly available as early as Jul. 14, 2011 (4 pages).

Office Action from Canadian Patent Application No. 155939, mailed Nov. 18, 2014 (2 pages).

\* cited by examiner

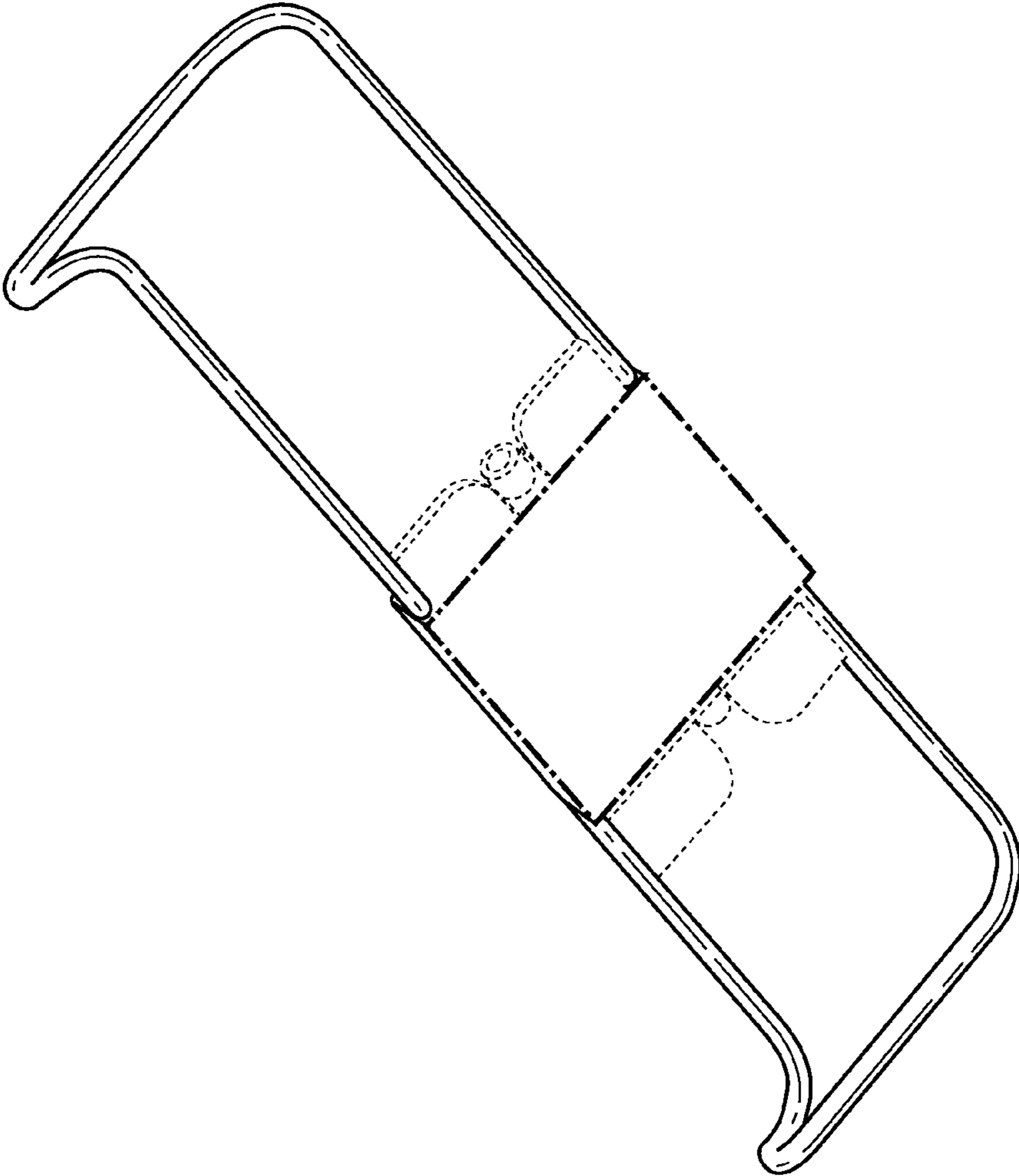


FIG. 1

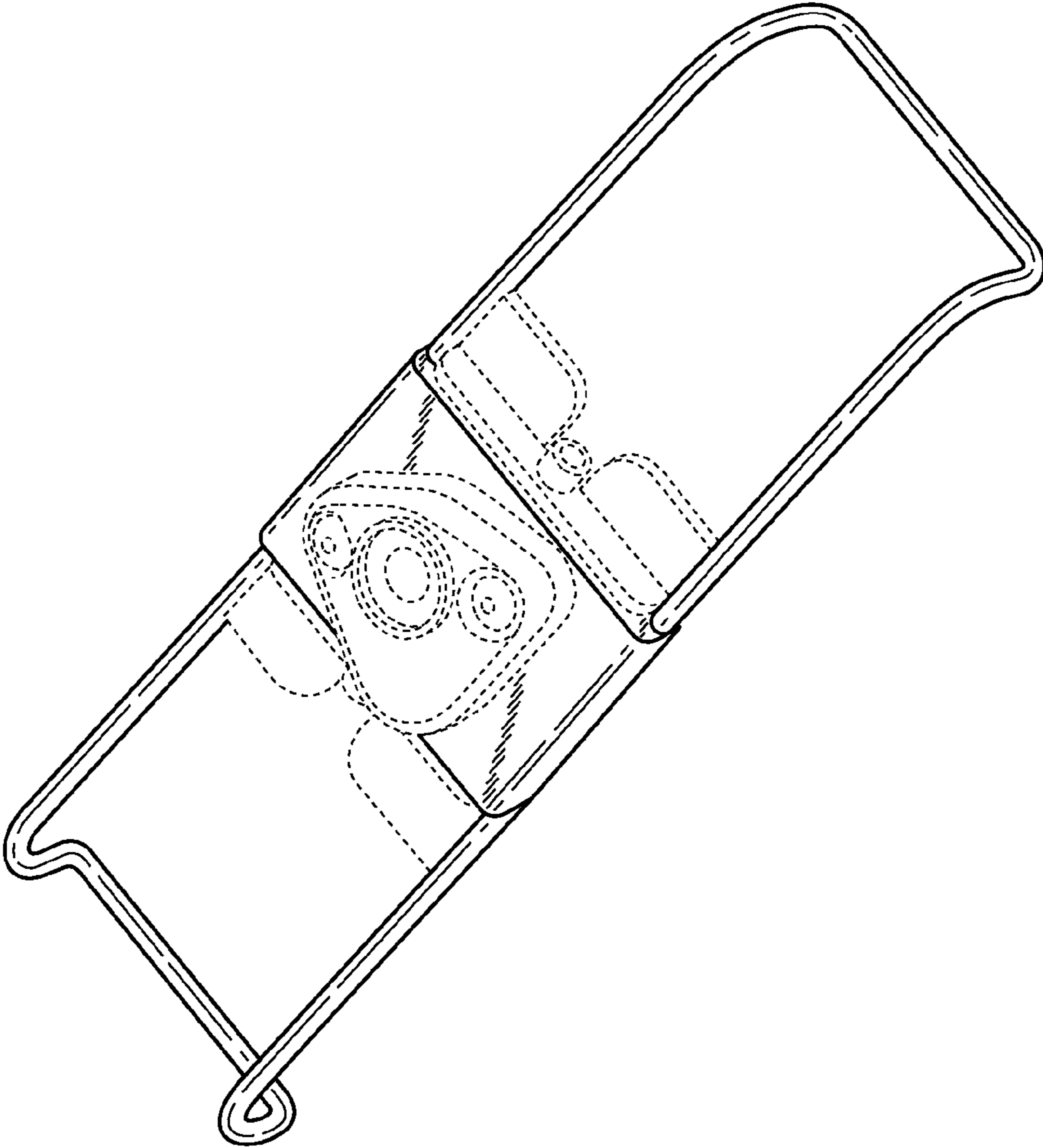


FIG. 2

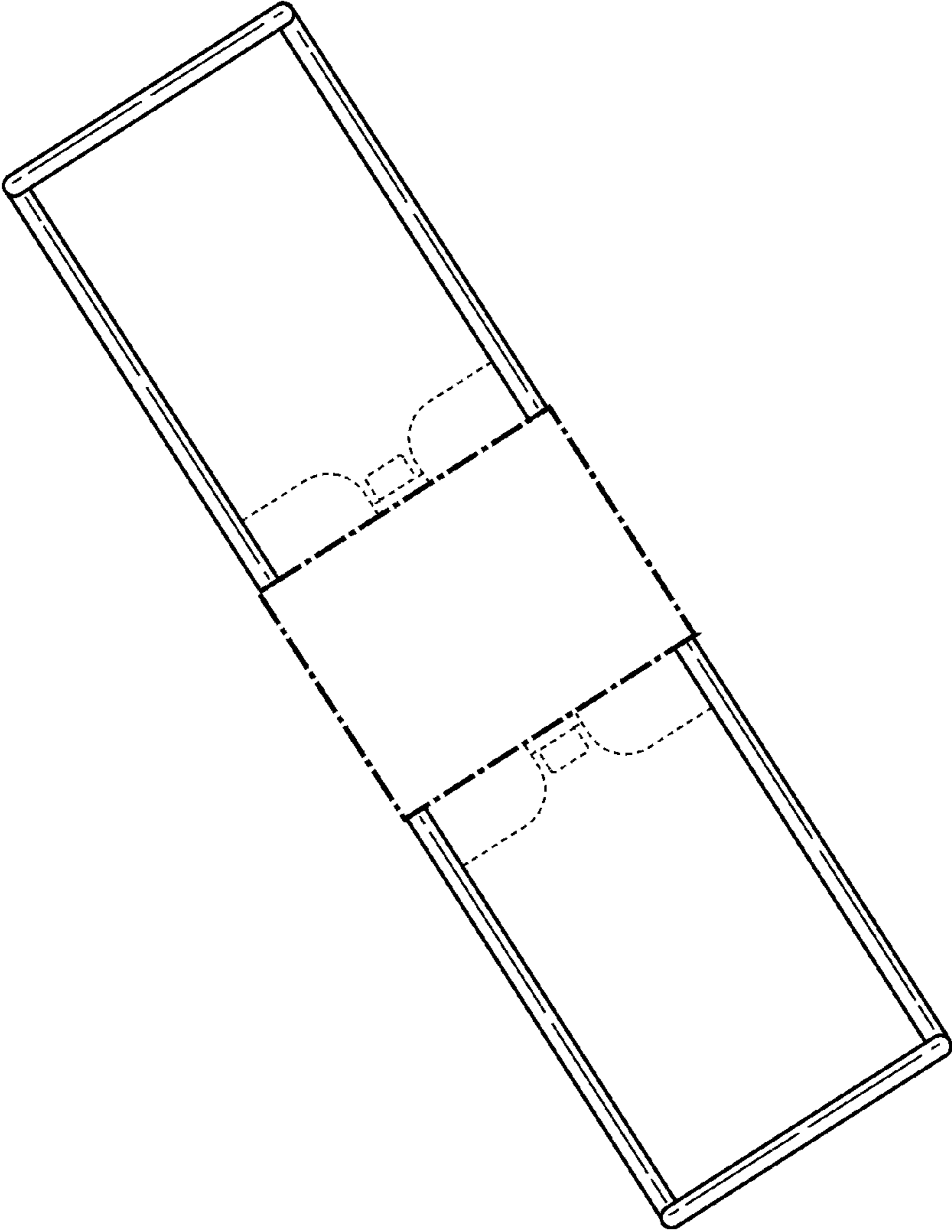


FIG. 3

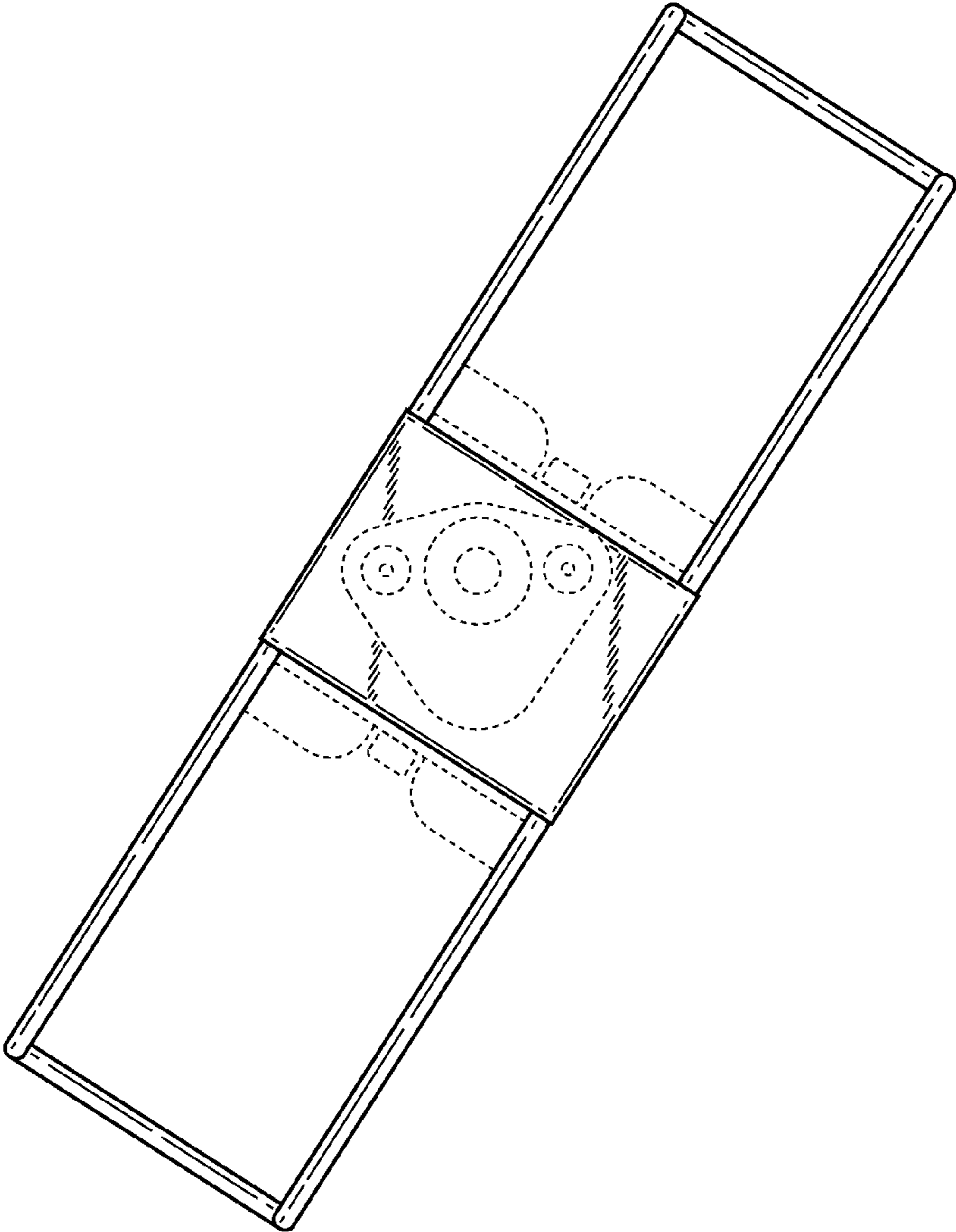


FIG. 4

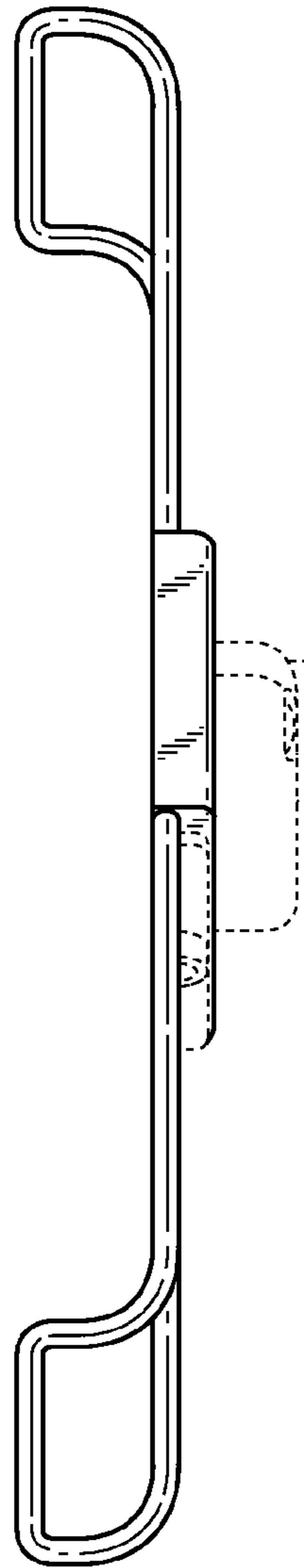


FIG. 5

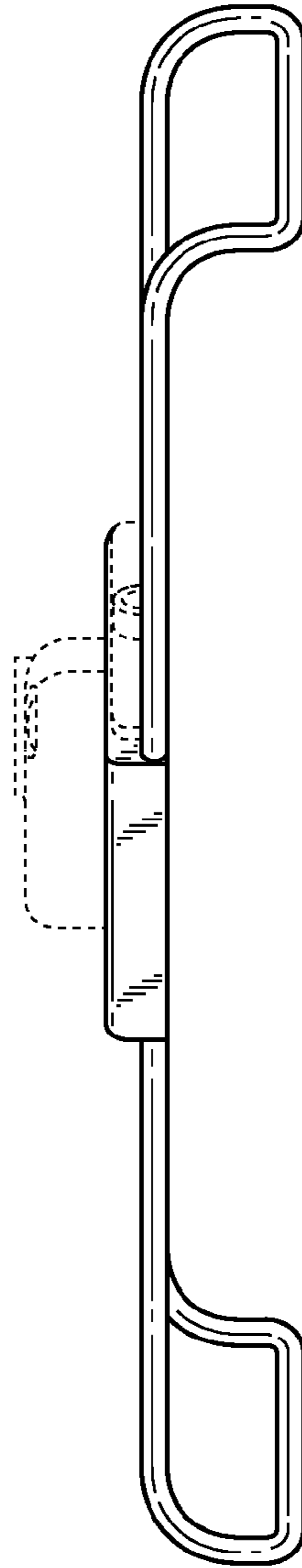


FIG. 6



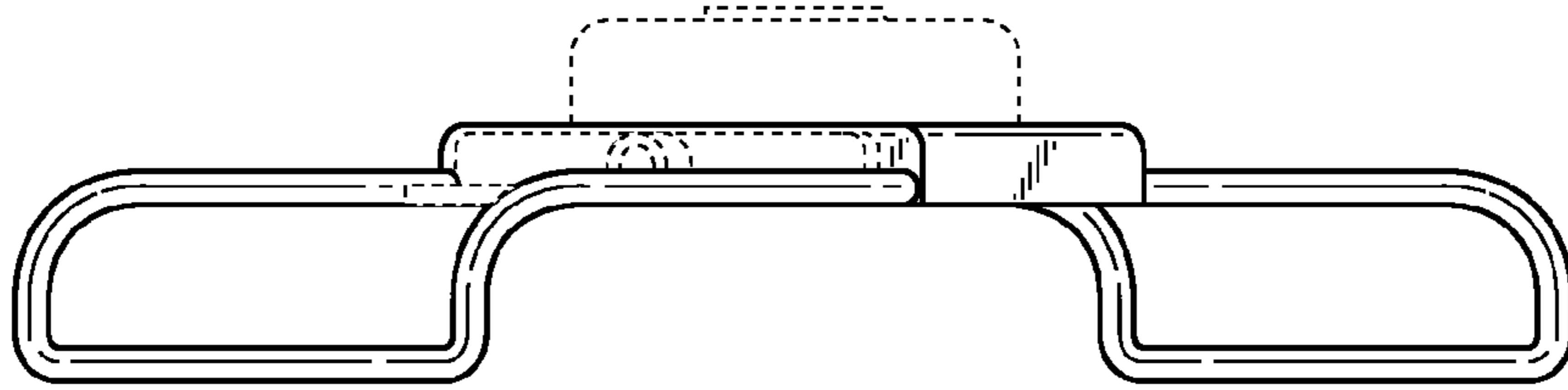


FIG. 7

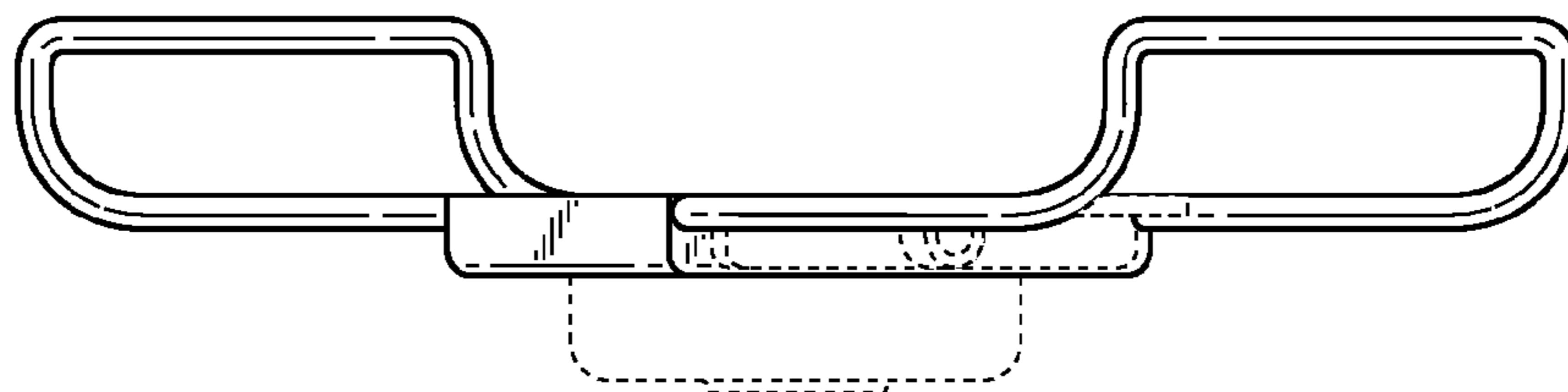


FIG. 8

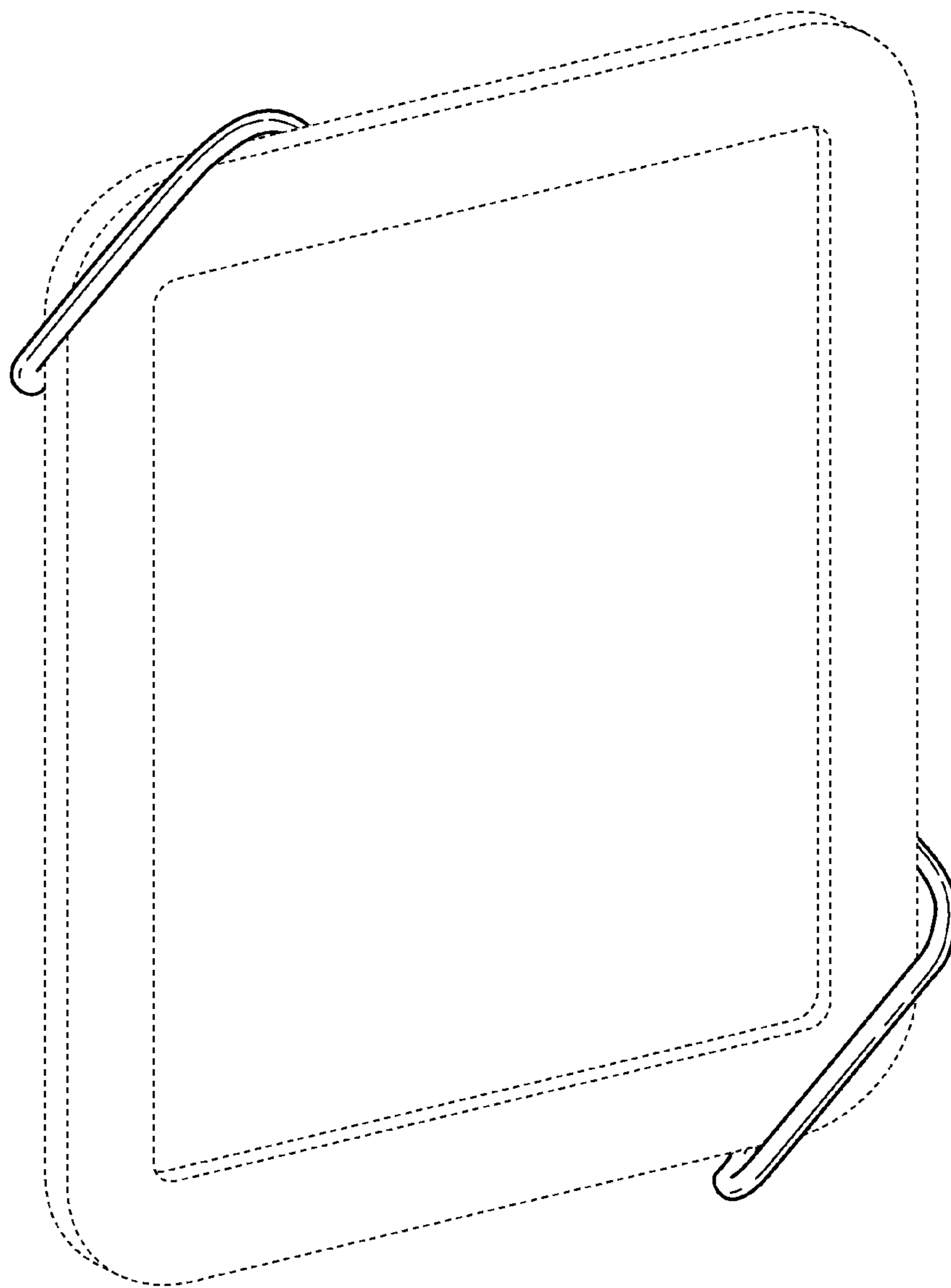
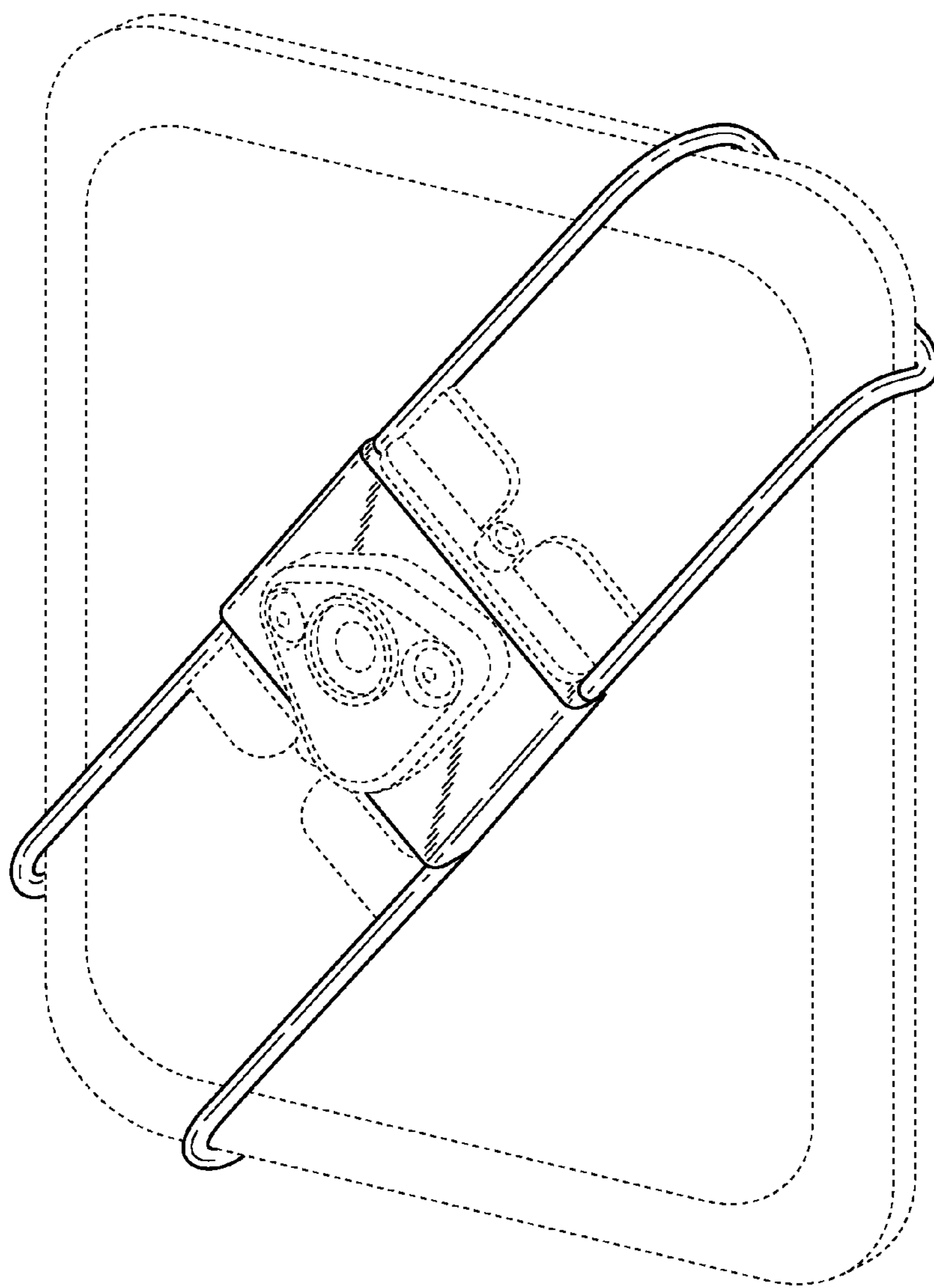
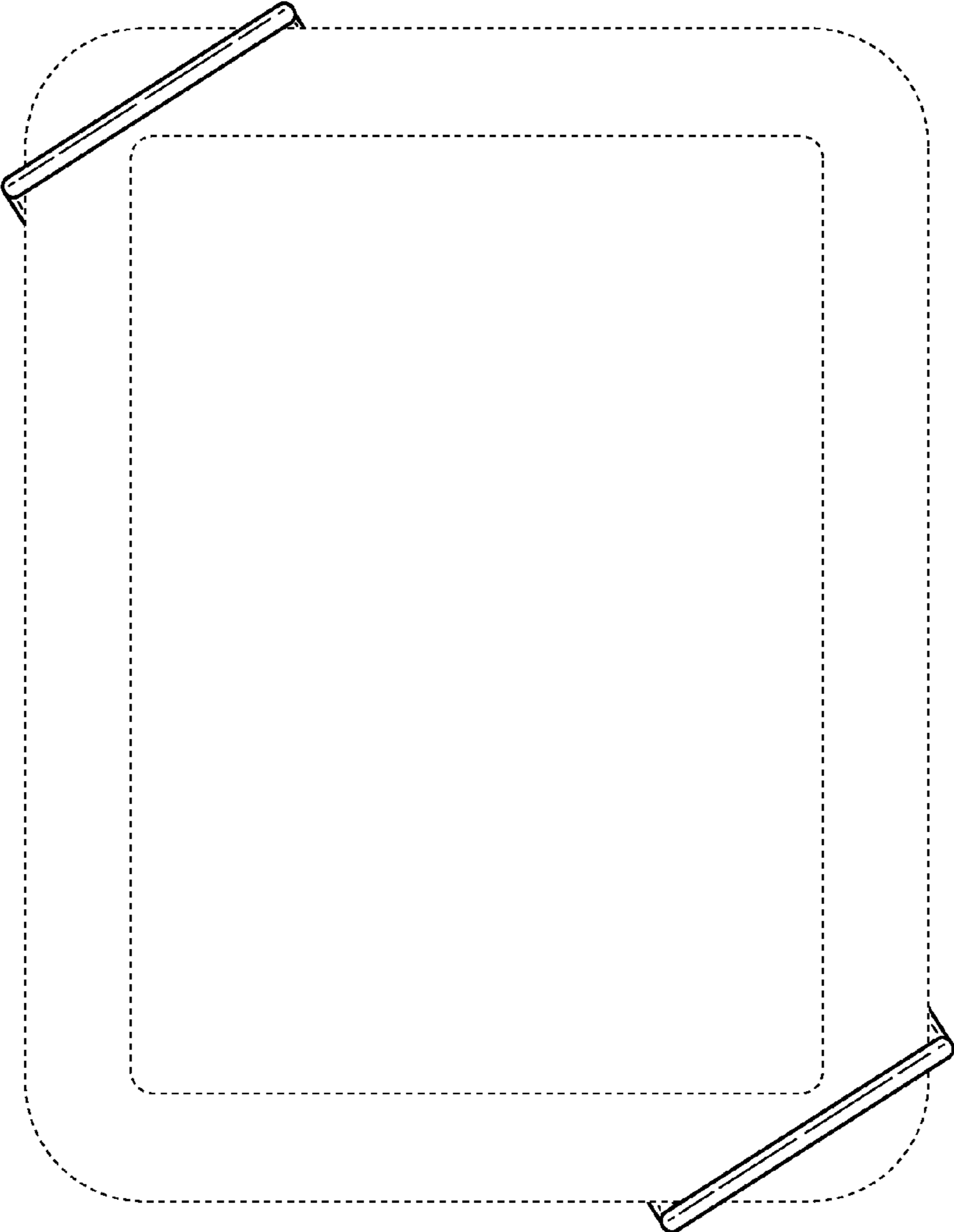


FIG. 9



**FIG. 10**



**FIG. 11**

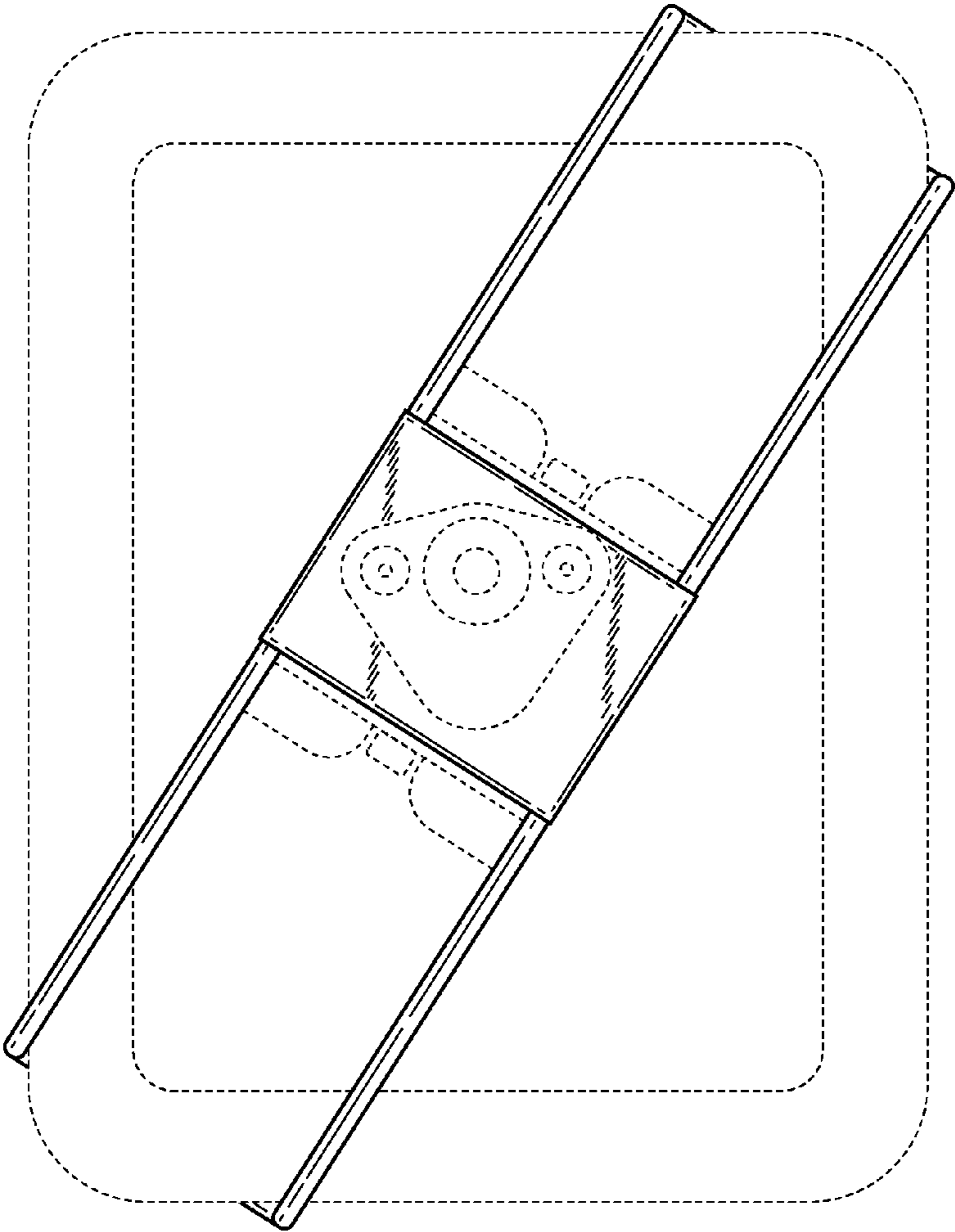


FIG. 12

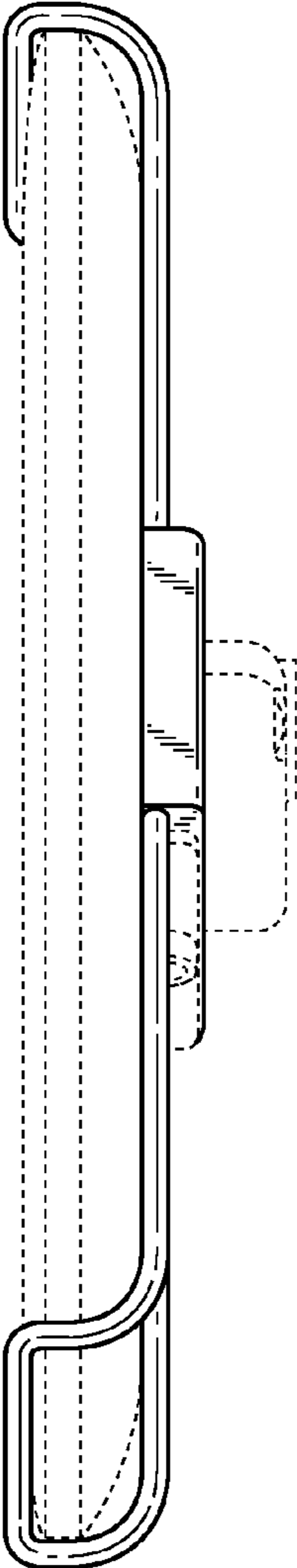


FIG. 13

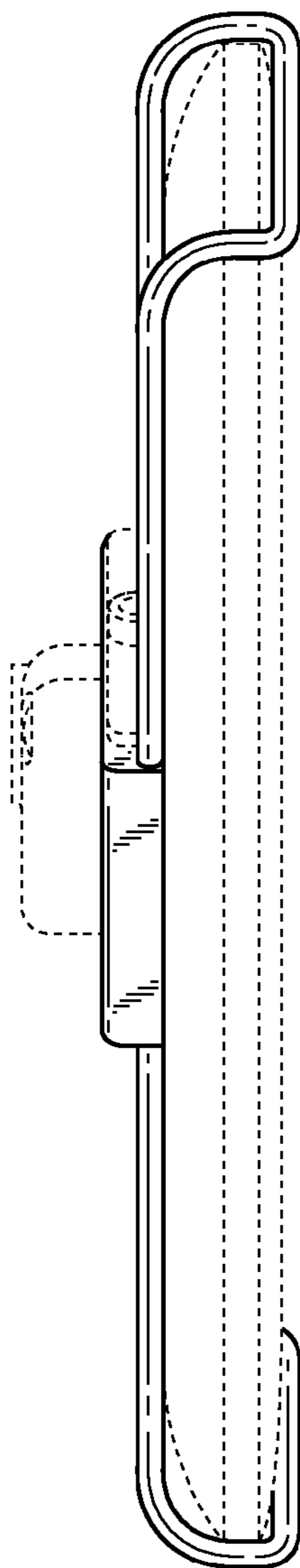


FIG. 14

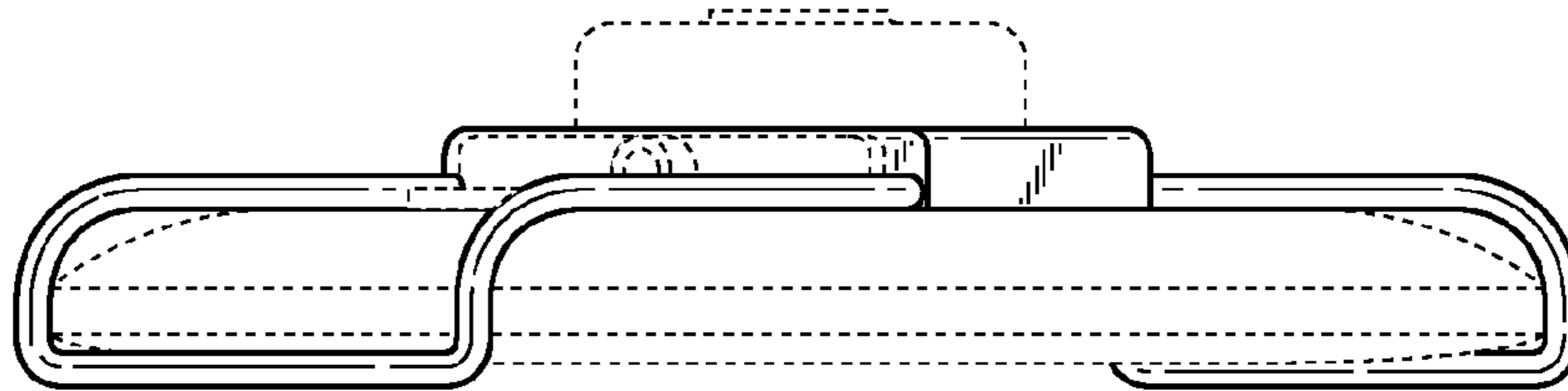


FIG. 15

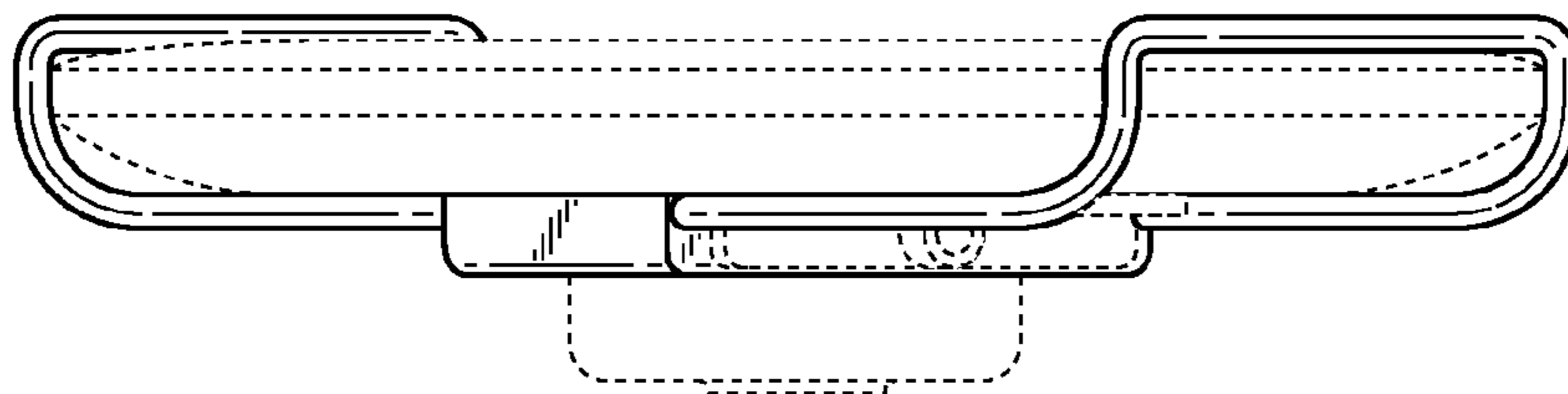


FIG. 16