



US00D729549S

(12) **United States Design Patent**
Williams et al.

(10) **Patent No.:** **US D729,549 S**

(45) **Date of Patent:** **** May 19, 2015**

(54) **OBLONG JEWELRY TRAY**

(71) Applicant: **LF Centennial Ltd.**, Road Town, Tortola (VG)

(72) Inventors: **Matthew G. Williams**, Lighthouse Point, FL (US); **Jose Suero**, Boca Raton, FL (US)

(73) Assignee: **LF CENTENNIAL LTD.**, Road Town, Tortola (VG)

(**) Term: **14 Years**

(21) Appl. No.: **29/486,368**

(22) Filed: **Mar. 28, 2014**

(51) **LOC (10) Cl.** **06-06**

(52) **U.S. Cl.**
USPC **D6/675**

(58) **Field of Classification Search**
USPC D6/449, 512, 672, 675, 682, 683;
D9/759-760, 456; D3/304, 313-314,
D3/315, 319; D7/550.1, 553.1, 553.4;
220/575; 206/503, 505, 557, 564, 566
See application file for complete search history.

(56) **References Cited**

U.S. PATENT DOCUMENTS

| | | | | |
|--------------|--------|----------------|-------|----------|
| D255,310 S * | 6/1980 | Spencer | | D7/553.5 |
| D267,767 S * | 2/1983 | Storrs | | D7/553.5 |
| D279,384 S * | 6/1985 | Evenson | | D19/75 |
| D293,767 S * | 1/1988 | Powers | | D9/761 |
| D318,985 S * | 8/1991 | Szablak et al. | | D7/701 |

| | | | | |
|--------------|---------|-----------------|-------|----------|
| D338,808 S * | 8/1993 | Anderson | | D7/553.5 |
| D363,856 S * | 11/1995 | Westbrooks, Jr. | | D7/553.2 |
| D396,953 S * | 8/1998 | Iversen et al. | | D3/310 |
| D399,095 S * | 10/1998 | Schmidt | | D7/553.2 |
| D634,584 S * | 3/2011 | Bergkvist | | D7/553.7 |
| D665,845 S * | 8/2012 | Chuang | | D19/77 |
| D690,164 S * | 9/2013 | Lock | | D7/553.2 |

* cited by examiner

Primary Examiner — Kelley Donnelly

(74) *Attorney, Agent, or Firm* — Duane Morris LLP; J. Rodman Steele, Jr.; Gregory M. Lefkowitz

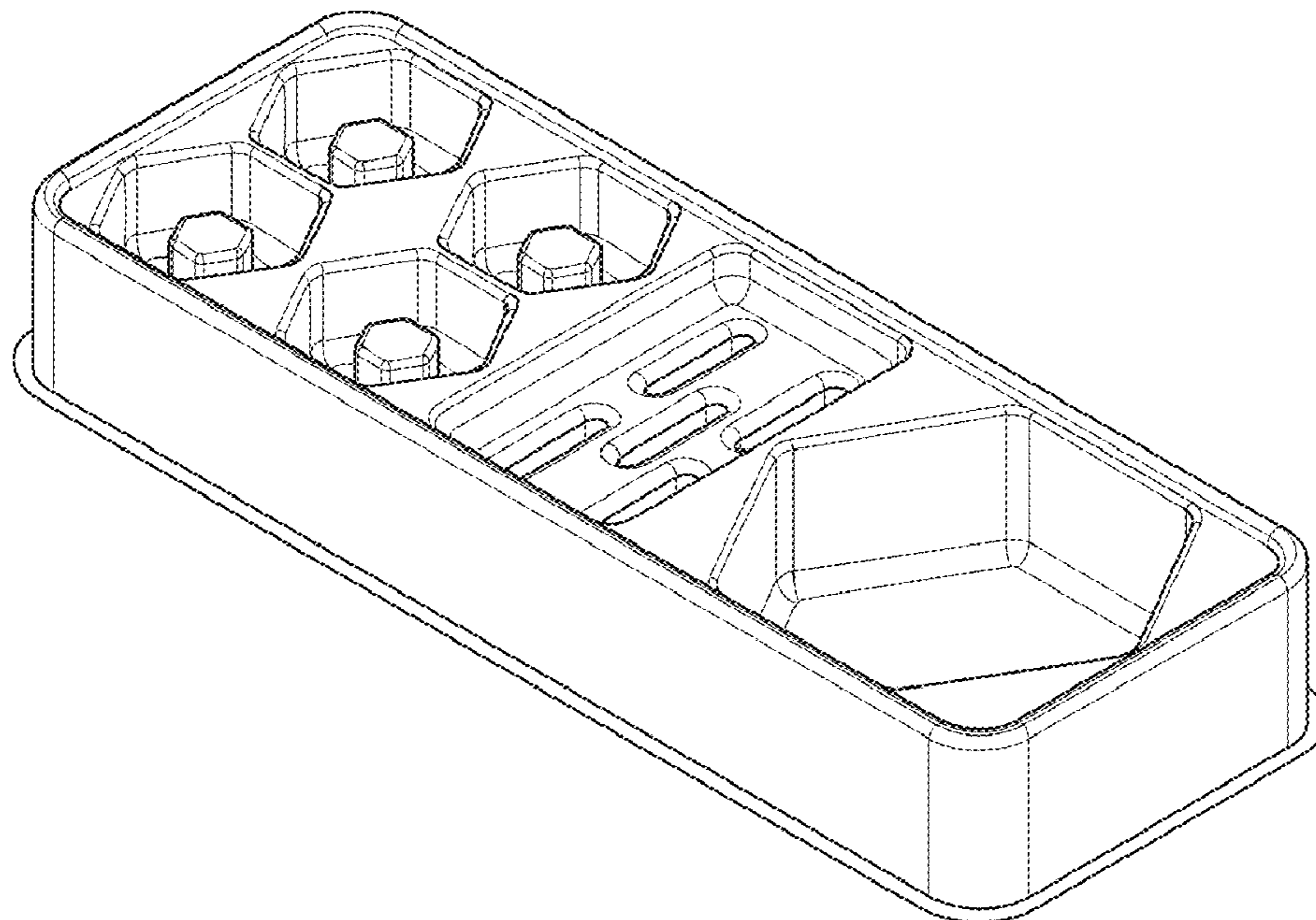
(57) **CLAIM**

The ornamental design for an oblong jewelry tray, as shown and described.

DESCRIPTION

FIG. 1 is a front, perspective view of our ornamental design; FIG. 2 is a top view of the ornamental design of FIG. 1; FIG. 3 is a front view of the ornamental design of FIG. 1; FIG. 4 is a right side view of the ornamental design of FIG. 1; FIG. 5 is a bottom view of the ornamental design of FIG. 1; FIG. 6 is a cross-sectional view of the ornamental design taken along cut line 6-6 of FIG. 2; FIG. 7 is a cross-sectional view of the ornamental design taken along cut line 7-7 of FIG. 2; and, FIG. 8 is a cross-sectional view of the ornamental design taken along cut line 8-8 of FIG. 2. The back view is a mirror image of the front view. The left side view is a mirror image of the right side view.

1 Claim, 4 Drawing Sheets



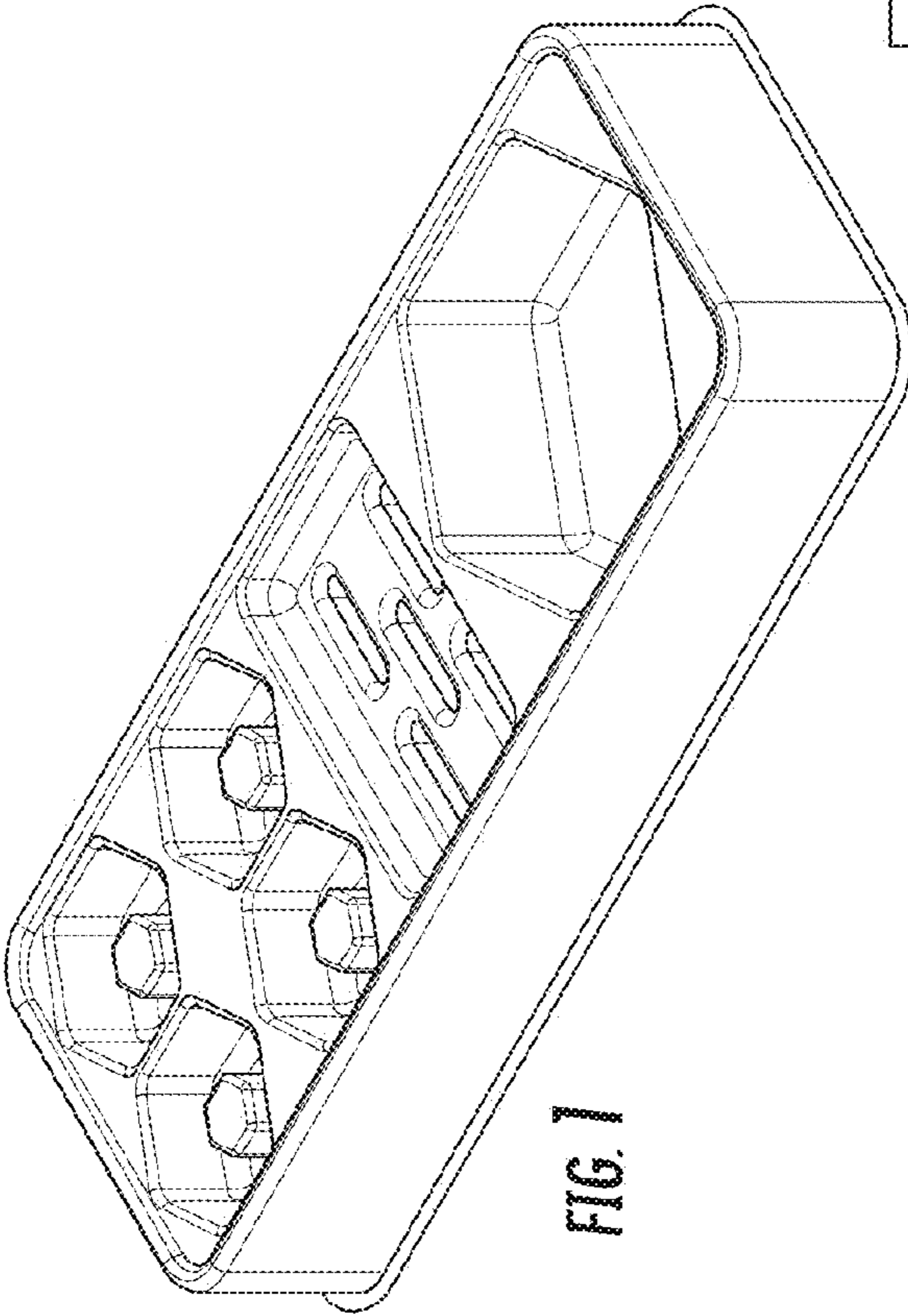


FIG. 1

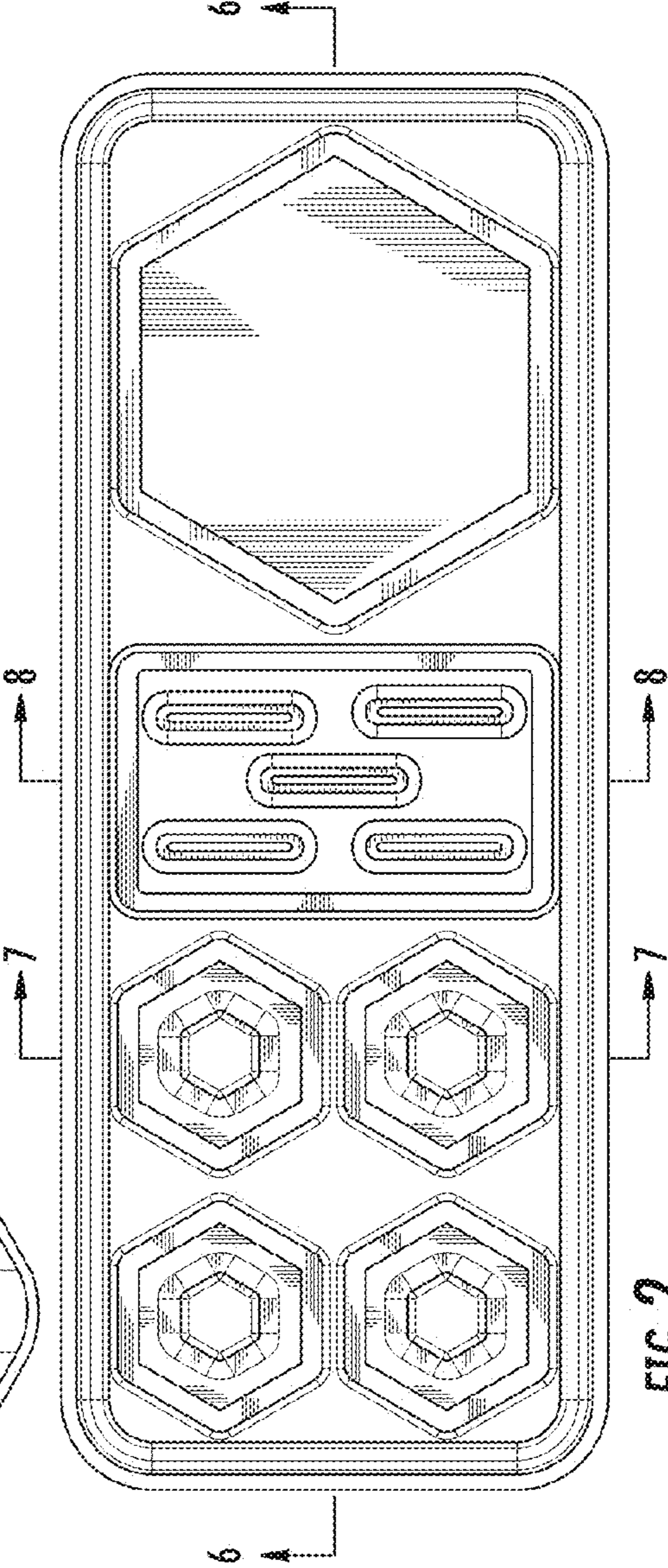


FIG. 2

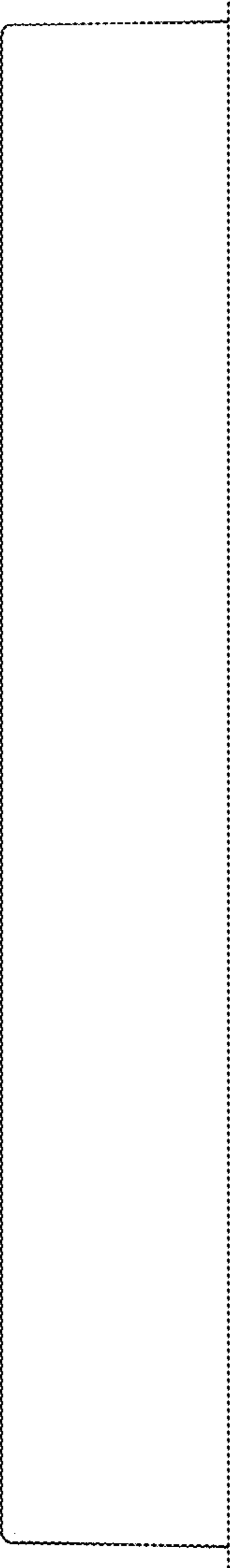


FIG. 3

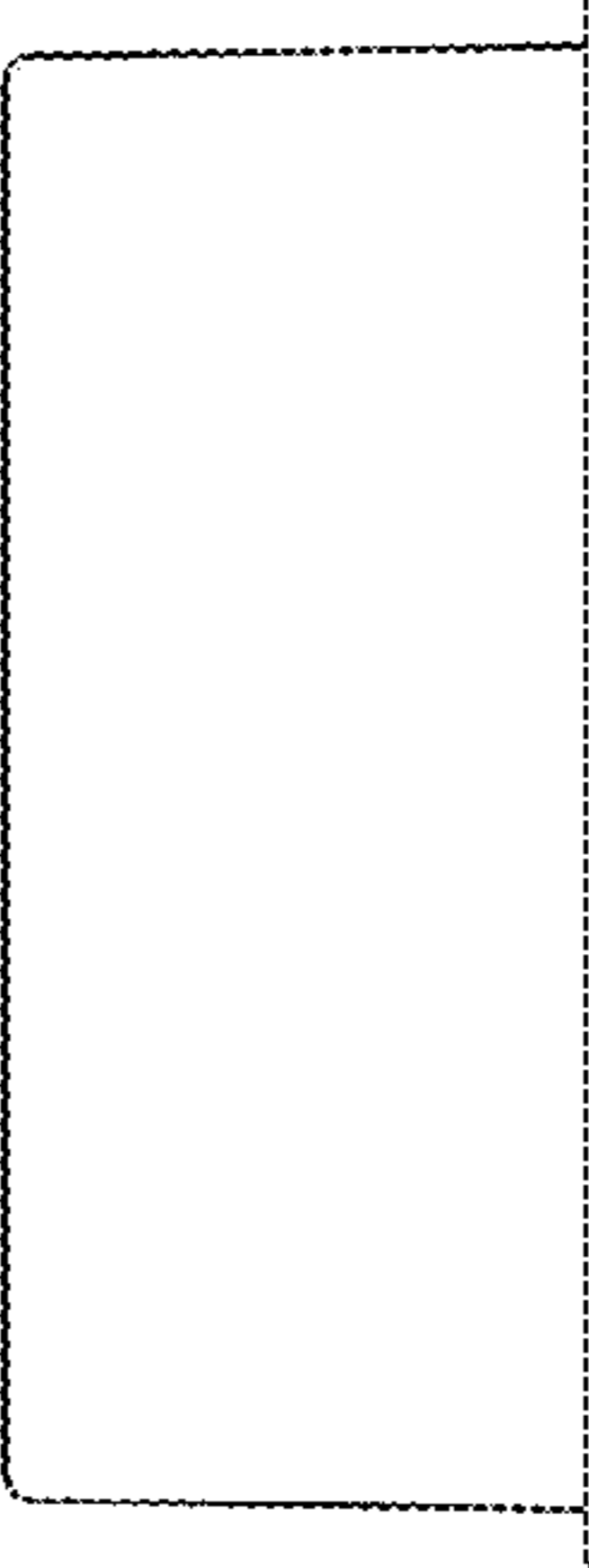


FIG. 4

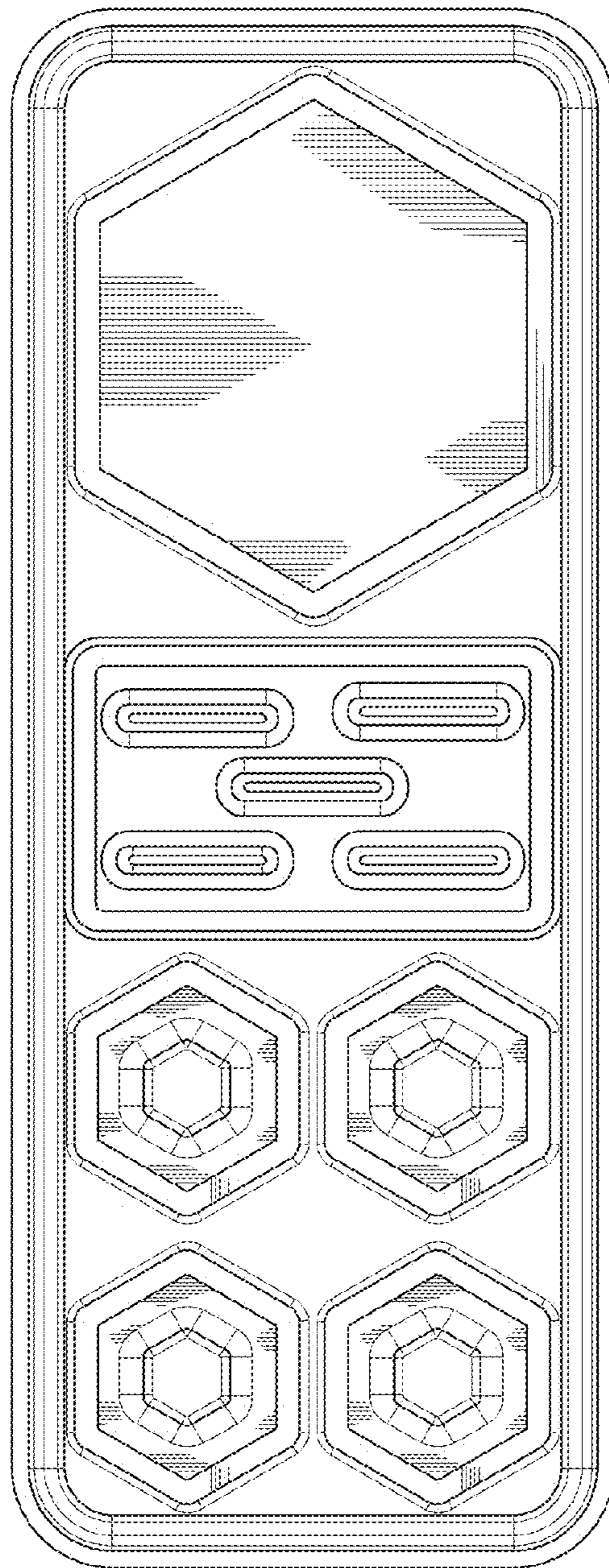


FIG. 5

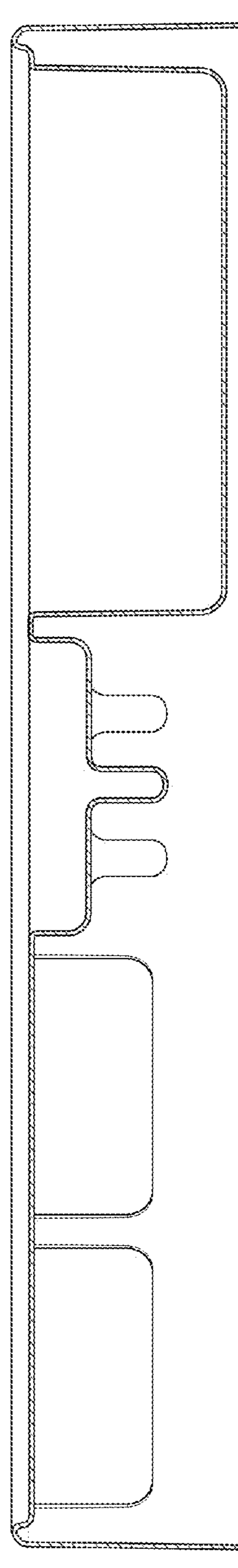


FIG. 6

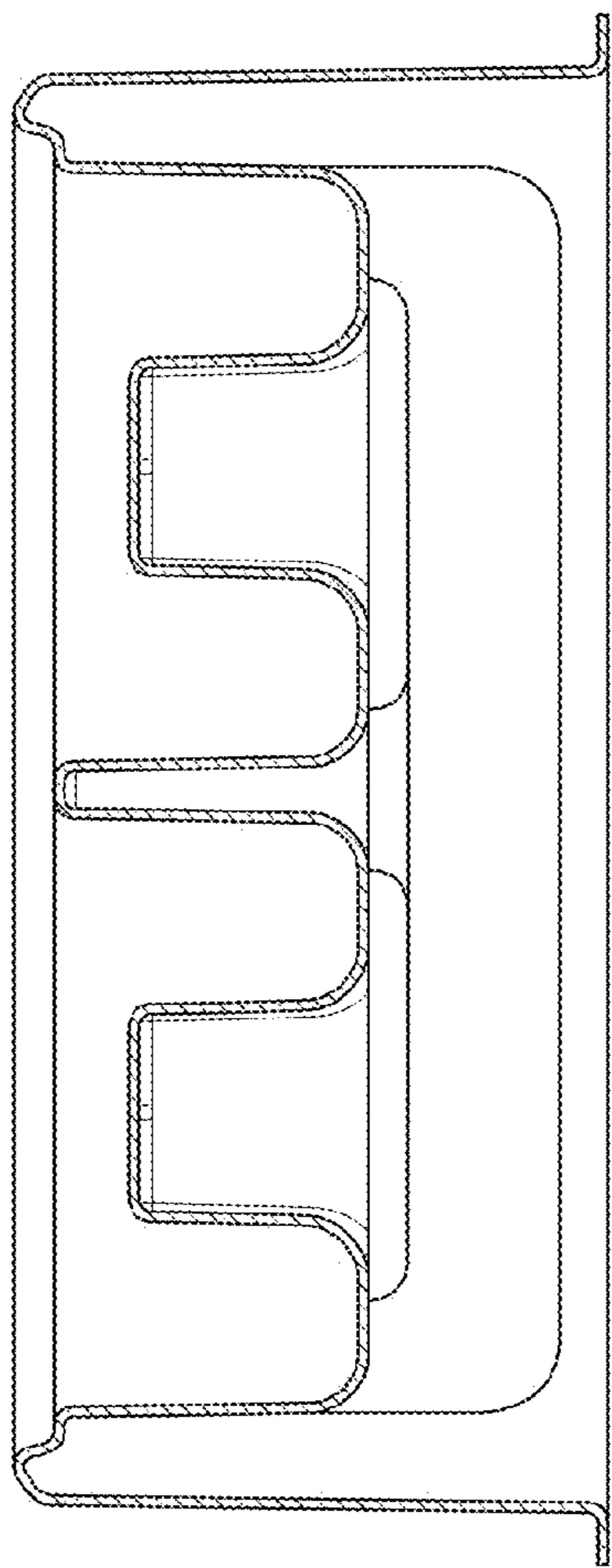


FIG. 7

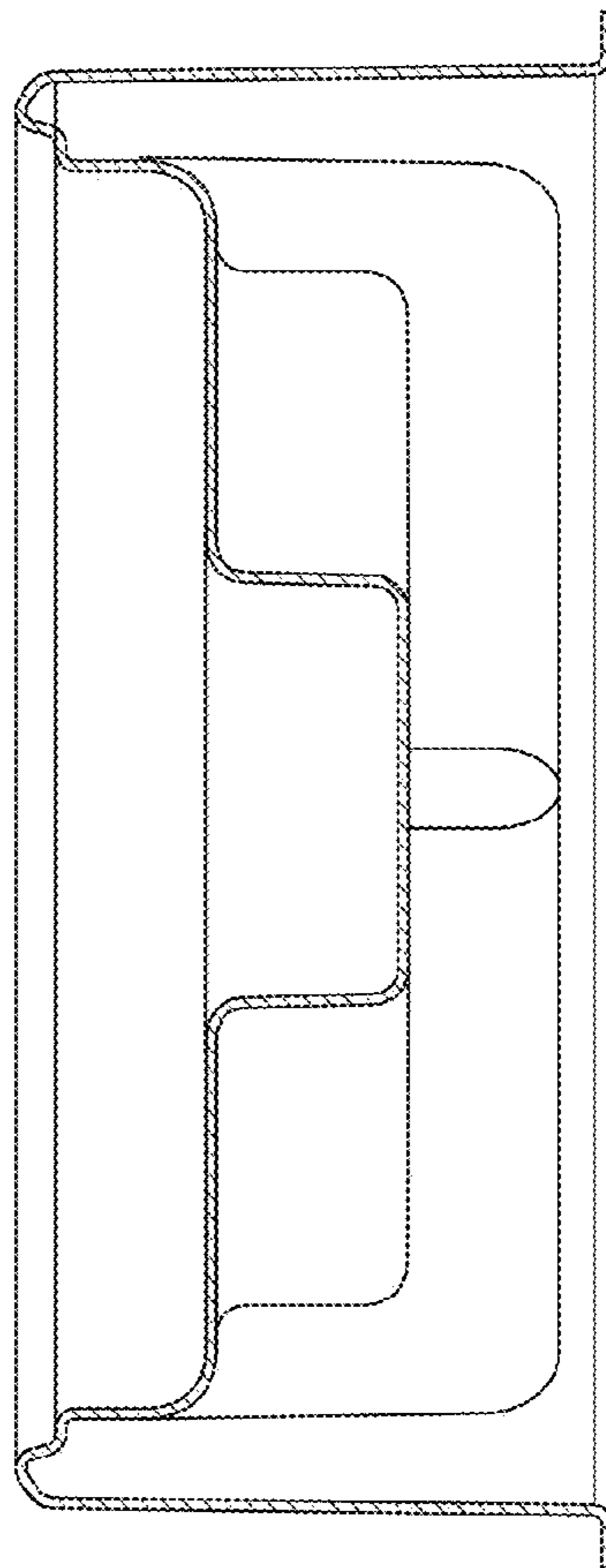


FIG. 8