

US00D729546S

(12) **United States Design Patent**  
**Daley**

(10) **Patent No.:** **US D729,546 S**  
(45) **Date of Patent:** **\*\* May 19, 2015**

- (54) **VEHICLE SEAT PROTECTOR**
- (71) Applicant: **BRICA, INC.**, Van Nuys, CA (US)
- (72) Inventor: **Richard A. Daley**, Charlotte, NC (US)
- (73) Assignee: **Brica, Inc.**, Van Nuys, CA (US)
- (\*\*) Term: **14 Years**
- (21) Appl. No.: **29/480,954**
- (22) Filed: **Jan. 30, 2014**

6,276,752	B1	8/2001	Conte	
6,338,527	B1	1/2002	Toyota et al.	
7,000,984	B1	2/2006	Ward	
7,374,240	B2	5/2008	Gold et al.	
7,878,588	B2	2/2011	Snedeker	
D655,120	S *	3/2012	King .....	D6/611
D663,153	S *	7/2012	Kenkelen et al. ....	D6/611
D680,360	S *	4/2013	Ogawa .....	D6/611
D688,070	S *	8/2013	Oberg .....	D6/611
D692,259	S *	10/2013	Janowski .....	D6/611
D707,063	S *	6/2014	Daley .....	D6/611
D716,585	S *	11/2014	Peterson .....	D6/611
2002/0096919	A1	7/2002	Sparks	
2011/0204687	A1	8/2011	Bishop	
2012/0001464	A1	1/2012	Teoh et al.	

**Related U.S. Application Data**

- (62) Division of application No. 29/449,770, filed on Mar. 15, 2013, now Pat. No. Des. 707,063.
- (51) **LOC (10) Cl.** ..... **06-13**
- (52) **U.S. Cl.**  
USPC ..... **D6/611**
- (58) **Field of Classification Search**  
USPC ..... D6/611, 610, 596, 601, 602, 603, 615,  
D6/617, 621; D7/332, 334-337;  
D12/401-405; 135/87, 88.01, 95;  
150/165-167, 158, 154; 280/770;  
296/136.01, 136.1, 136.11  
See application file for complete search history.

\* cited by examiner

*Primary Examiner* — Katrina A Betton  
(74) *Attorney, Agent, or Firm* — Robert Z. Evora, Esq.;  
Wade C. Yamazaki

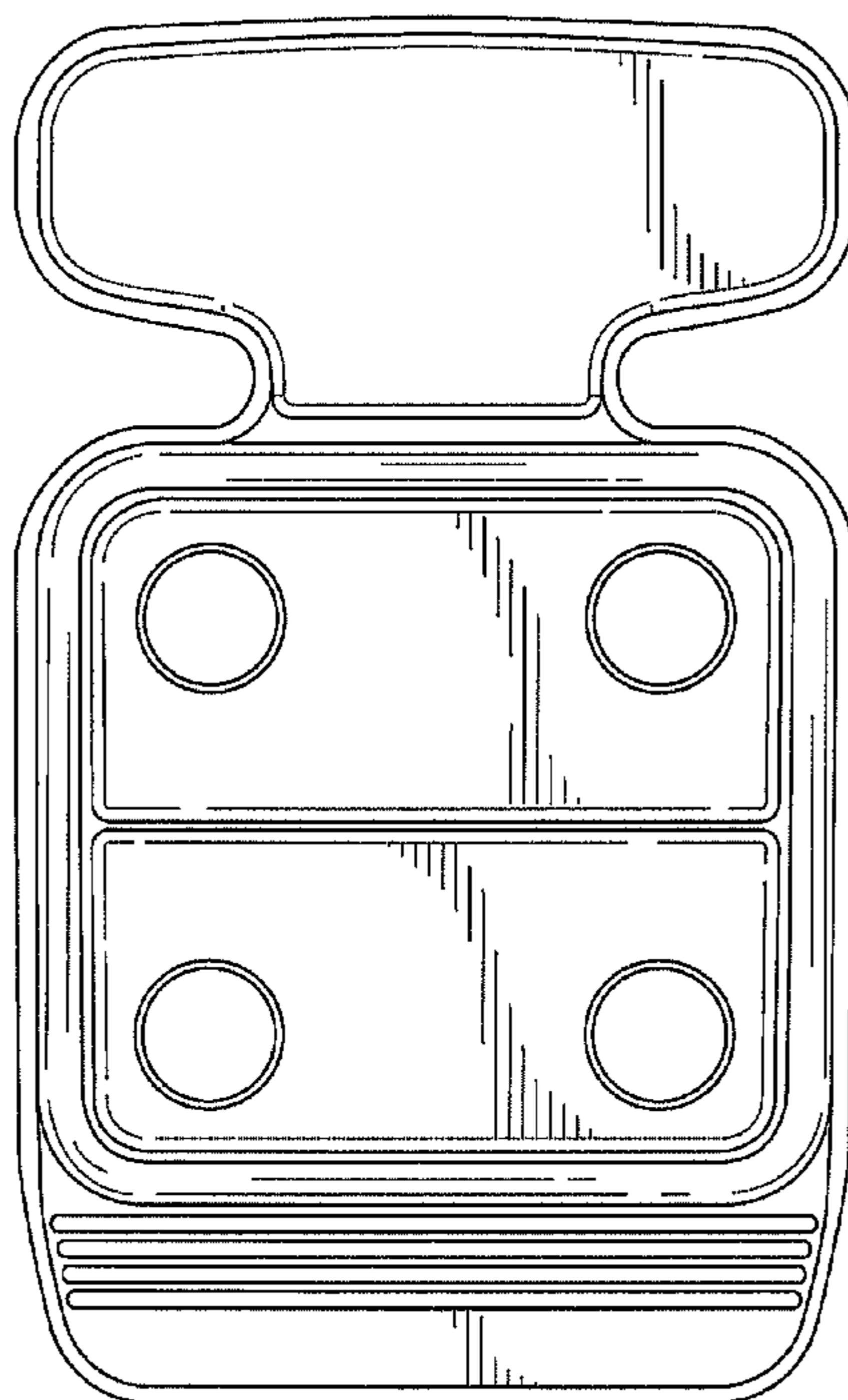
(57) **CLAIM**  
The ornamental design for a vehicle seat protector, as shown and described.

**DESCRIPTION**

FIG. 1 is an upper front perspective view of a vehicle seat protector showing my new design; FIG. 2 is a front view thereof; FIG. 3 is a back view thereof; FIG. 4 is a right side view thereof; FIG. 5 is a left side view thereof; FIG. 6 is a bottom view thereof; and, FIG. 7 is a top view thereof.

**1 Claim, 5 Drawing Sheets**

- (56) **References Cited**  
U.S. PATENT DOCUMENTS  
4,383,712 A 5/1983 Kaganas  
4,396,227 A 8/1983 Neilson  
5,842,739 A 12/1998 Noble



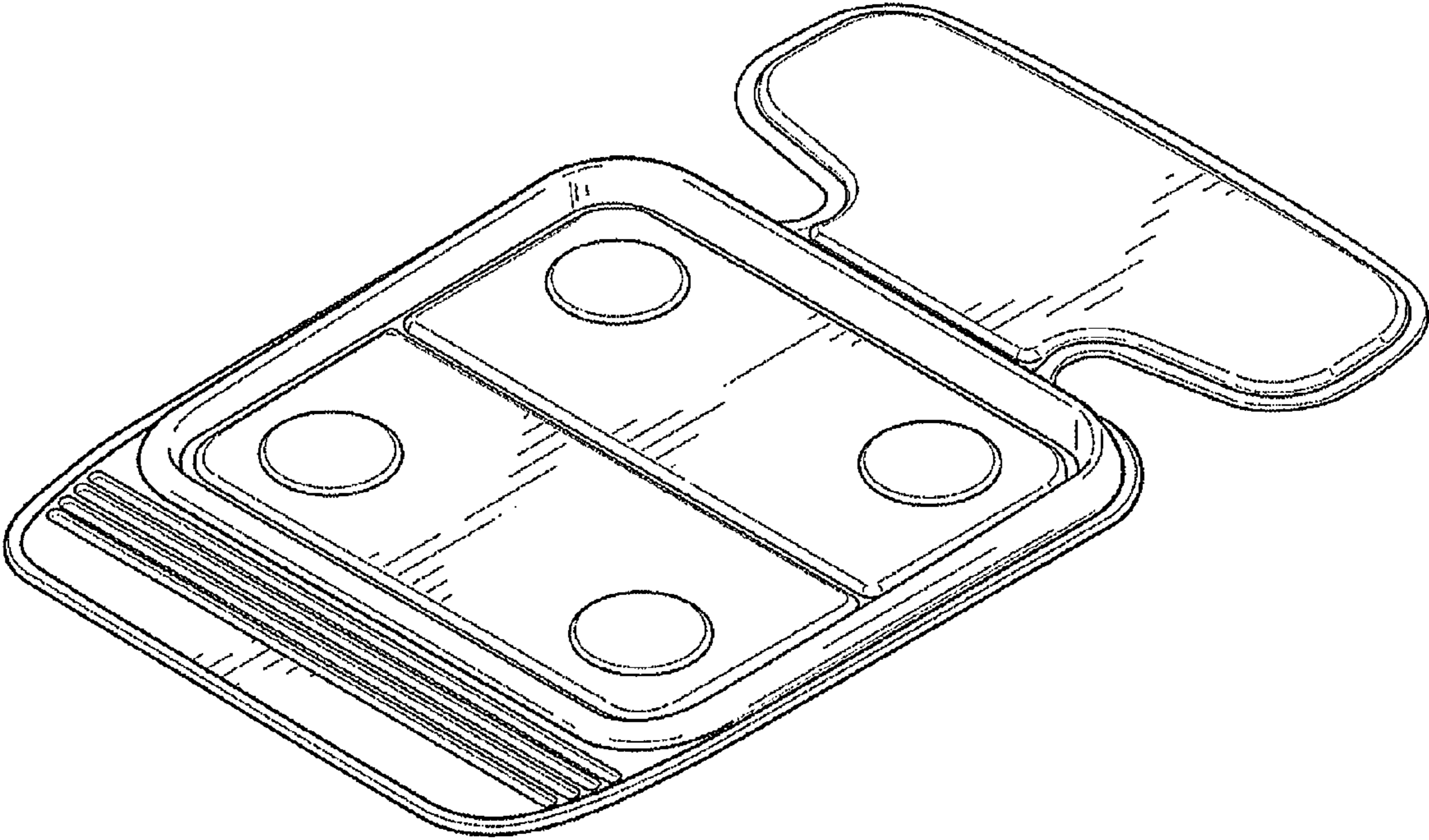
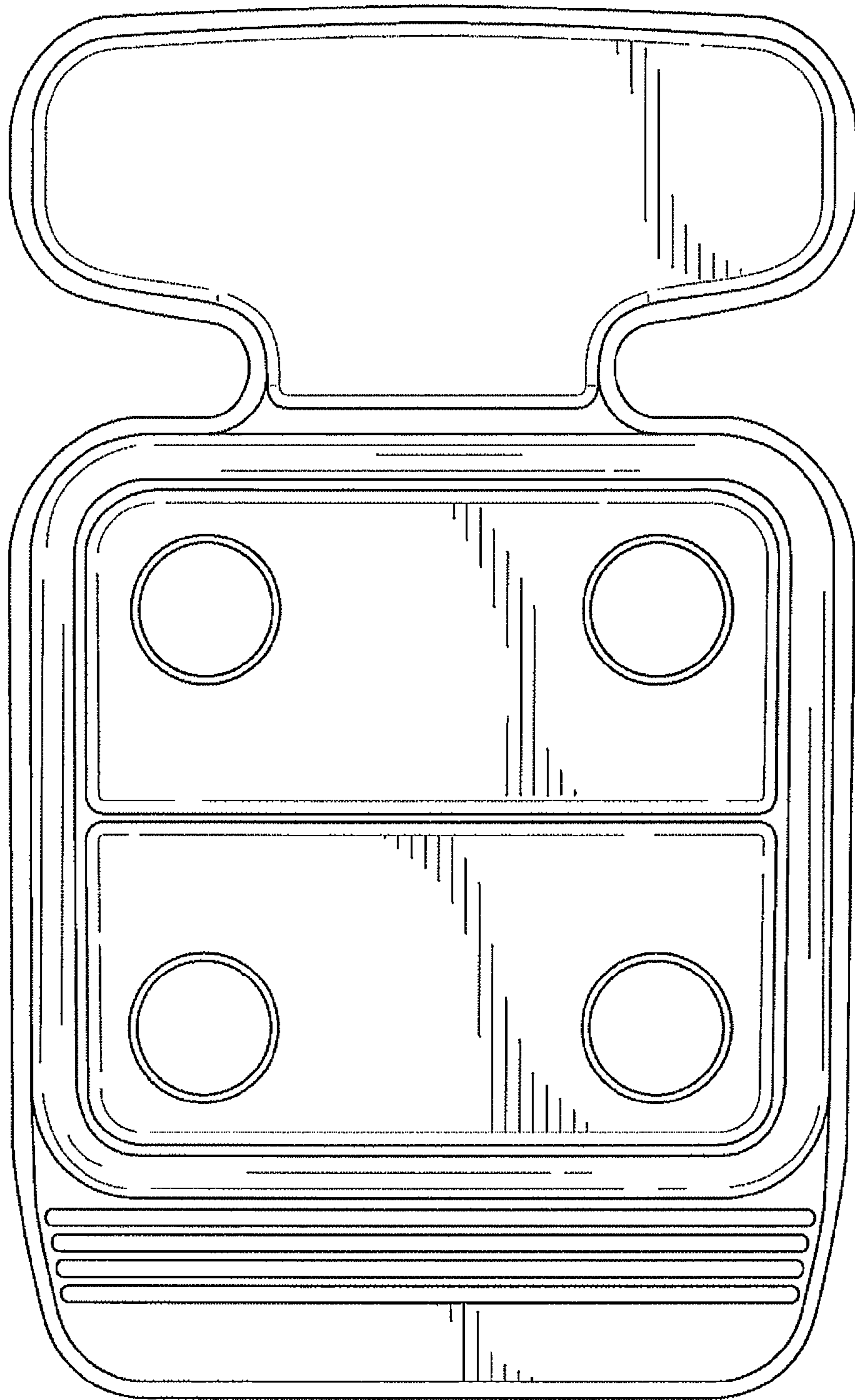
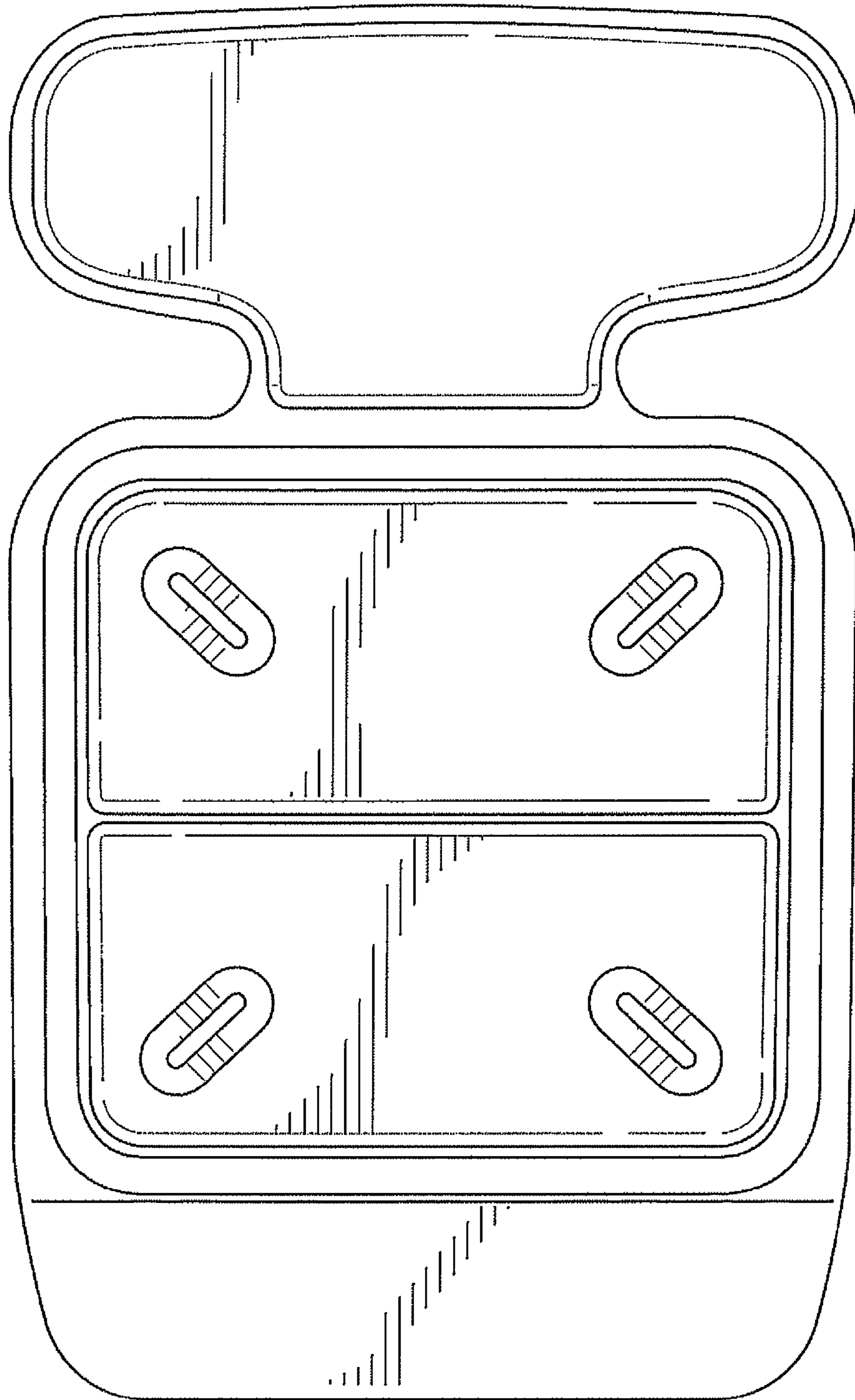


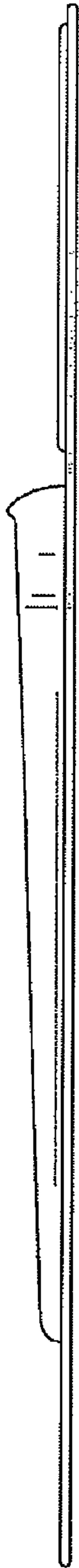
FIG. 1



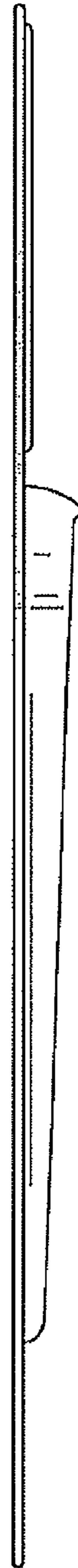
**FIG. 2**



**FIG. 3**



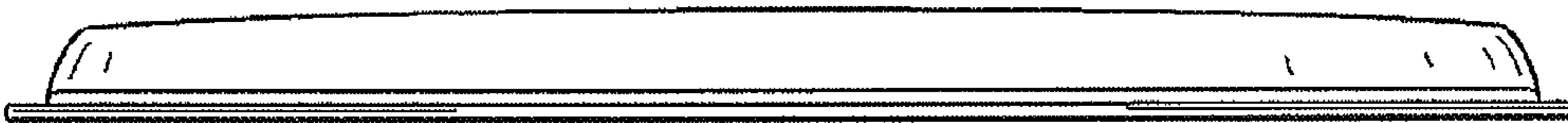
*FIG. 4*



*FIG. 5*



**FIG. 6**



**FIG. 7**