



US00D729543S

(12) **United States Design Patent**  
**Gicante et al.**

(10) **Patent No.:** **US D729,543 S**

(45) **Date of Patent:** **\*\* May 19, 2015**

- (54) **SPORTS EQUIPMENT HANGER**
- (71) Applicants: **Ryan Gicante**, London (CA); **Lori Gicante**, London (CA)
- (72) Inventors: **Ryan Gicante**, London (CA); **Lori Gicante**, London (CA)
- (\*\*) Term: **14 Years**
- (21) Appl. No.: **29/484,875**
- (22) Filed: **Mar. 13, 2014**
- (51) **LOC (10) Cl.** ..... **08-08**
- (52) **U.S. Cl.**  
USPC ..... **D6/552**
- (58) **Field of Classification Search**  
USPC ..... D6/513–514, 553, 567, 552; D7/622,  
D7/642; D8/17, 33, 373, 349, 354, 356,  
D8/367, 380; D9/455, 434, 435; 248/113;  
211/13.1, 16, 60.1, 70.1, 70.2, 70.5,  
211/74, 86.01, 89.01, 88.04, 106, 113, 119  
See application file for complete search history.

D474,653 S *	5/2003	Stewart	.....	D7/642
D475,276 S *	6/2003	Kelleghan	.....	D8/356
D489,263 S *	5/2004	Sinanian	.....	D9/455
D505,038 S *	5/2005	Rose	.....	D6/552
D512,910 S *	12/2005	Haslam	.....	D9/434
D535,562 S *	1/2007	Wisler et al.	.....	D9/434
D560,115 S *	1/2008	Peyridieu et al.	.....	D8/373
D592,939 S *	5/2009	Kelleghan	.....	D8/356
D631,732 S	2/2011	Krawczak et al.		
7,878,325 B2	2/2011	Flock		
D698,636 S *	2/2014	Weinberg	.....	D8/356
D713,240 S *	9/2014	Chance et al.	.....	D8/356

\* cited by examiner

*Primary Examiner* — Brian N Vinson  
(74) *Attorney, Agent, or Firm* — Crossley Patent Law

(57) **CLAIM**

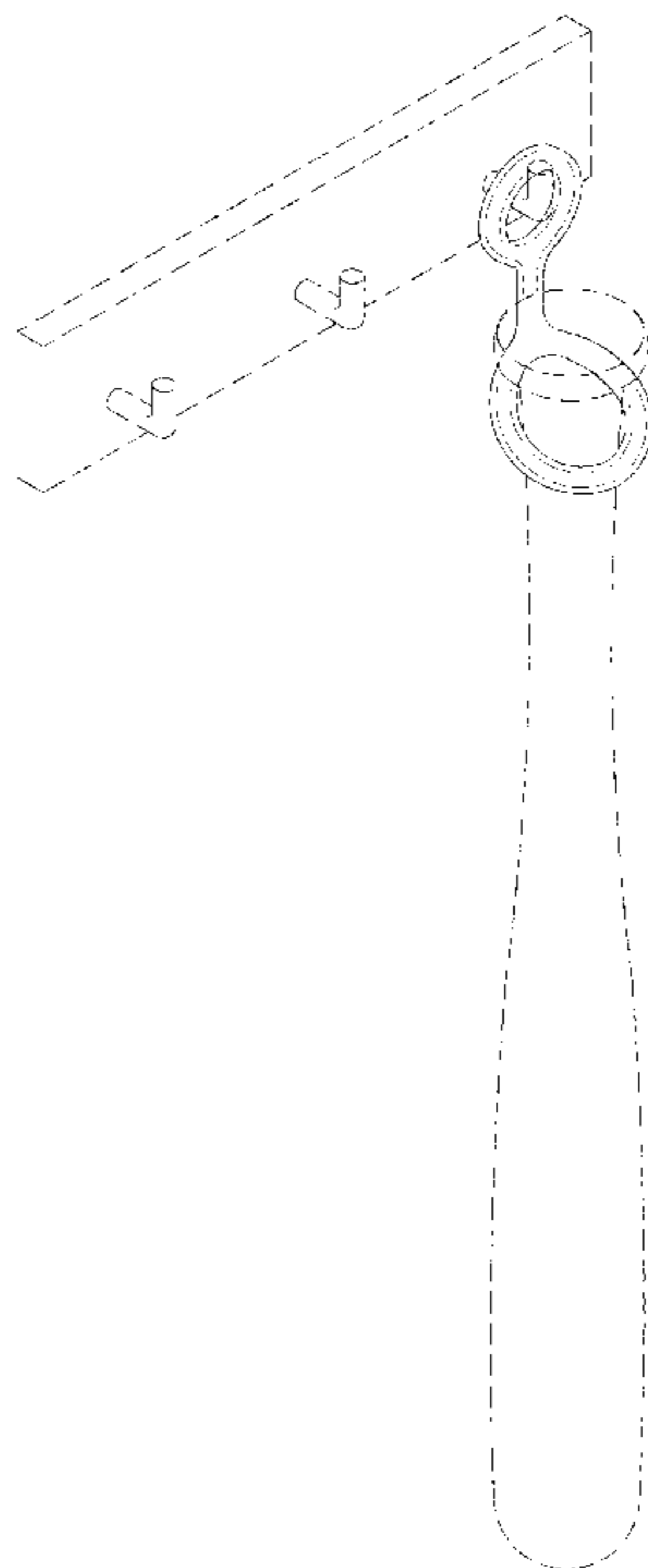
The ornamental design for a sports equipment hanger, as shown and described.

**DESCRIPTION**

FIG. 1 is a front elevation view of a sports equipment hanger showing our new design, the opposite side being a mirror image of the shown;  
 FIG. 2 is a right side elevation view thereof, the opposite side being a mirror image of the shown;  
 FIG. 3 is a top plan view thereof;  
 FIG. 4 is a bottom plan view thereof;  
 FIG. 5 is an isometric view thereof; and,  
 FIG. 6 is an in-use isometric view thereof.  
 The broken lines in FIG. 6 of the drawings depict a wall mountable rack with hooks and a baseball bat as environmental subject matter only and form no part of the claimed design.

**1 Claim, 4 Drawing Sheets**

- (56) **References Cited**  
U.S. PATENT DOCUMENTS
- |               |         |                 |       |          |
|---------------|---------|-----------------|-------|----------|
| D56,738 S *   | 12/1920 | Cook            | ..... | D13/120  |
| 1,486,967 A * | 3/1924  | Kaufman         | ..... | D7/622   |
| 1,652,243 A * | 12/1927 | Huboux          | ..... | 248/113  |
| 3,819,038 A   | 6/1974  | Candor et al.   |       |          |
| D281,393 S *  | 11/1985 | Karnhag et al.  | ..... | D8/373   |
| 5,351,510 A * | 10/1994 | Alden           | ..... | 70/63    |
| D356,002 S *  | 3/1995  | Morgan          | ..... | D6/552   |
| D357,387 S *  | 4/1995  | Davidson et al. | ..... | D7/622   |
| 5,690,235 A * | 11/1997 | Matzen          | ..... | 211/60.1 |
| D404,952 S *  | 2/1999  | Bauer           | ..... | D6/552   |



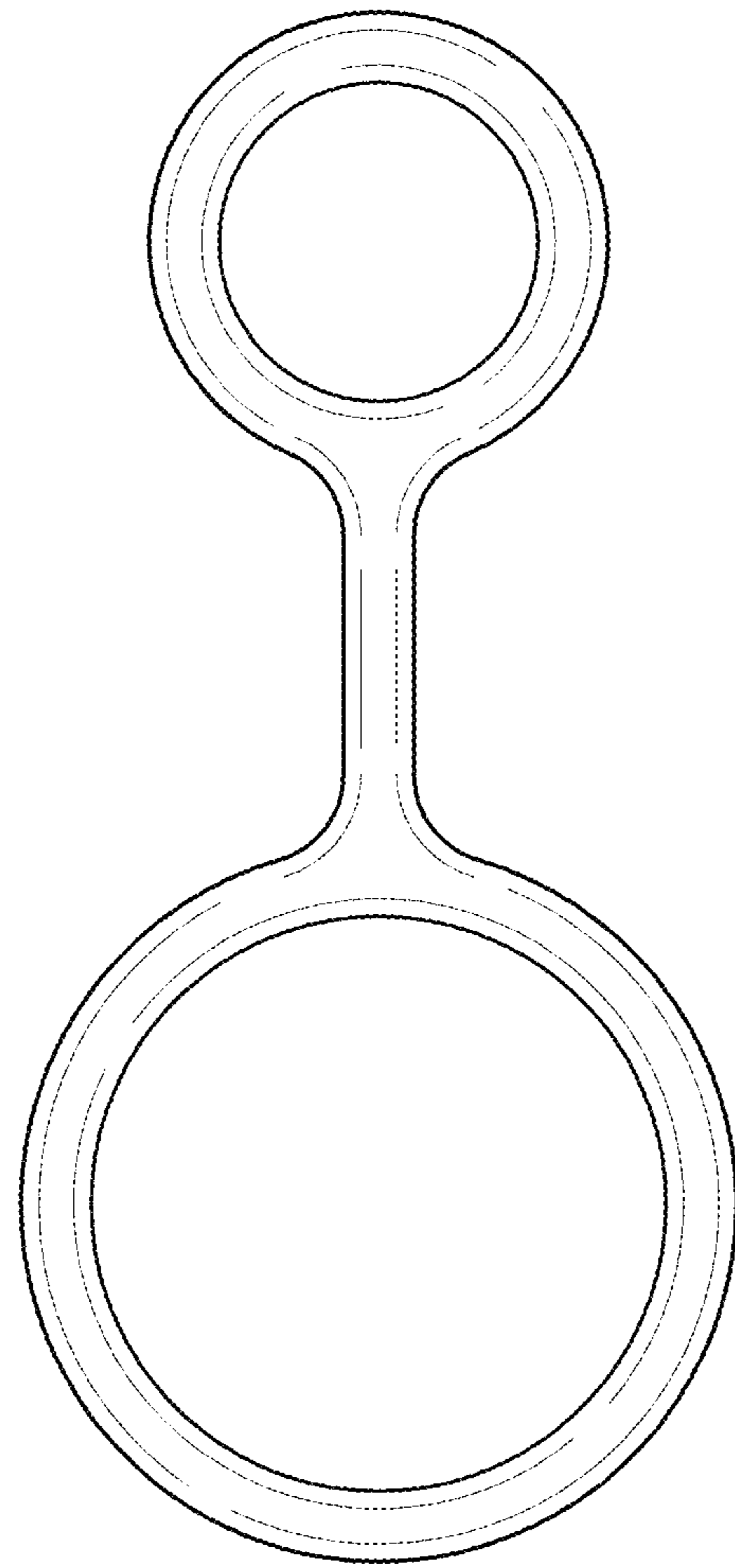


FIG. 1

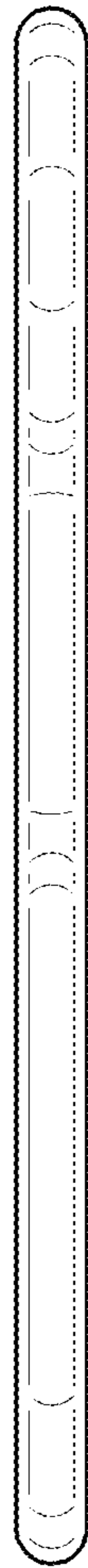


FIG. 2

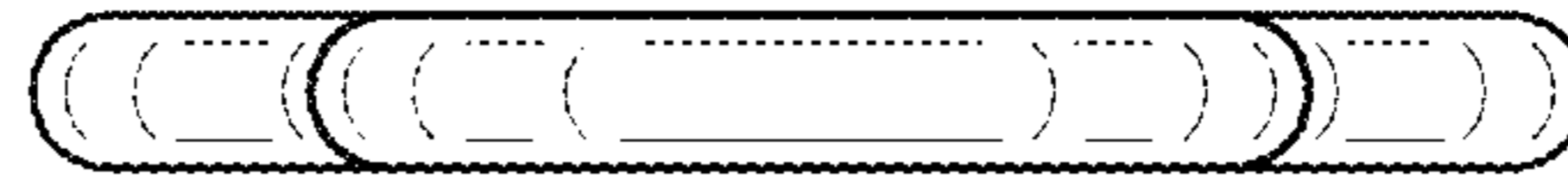


FIG. 3



FIG. 4

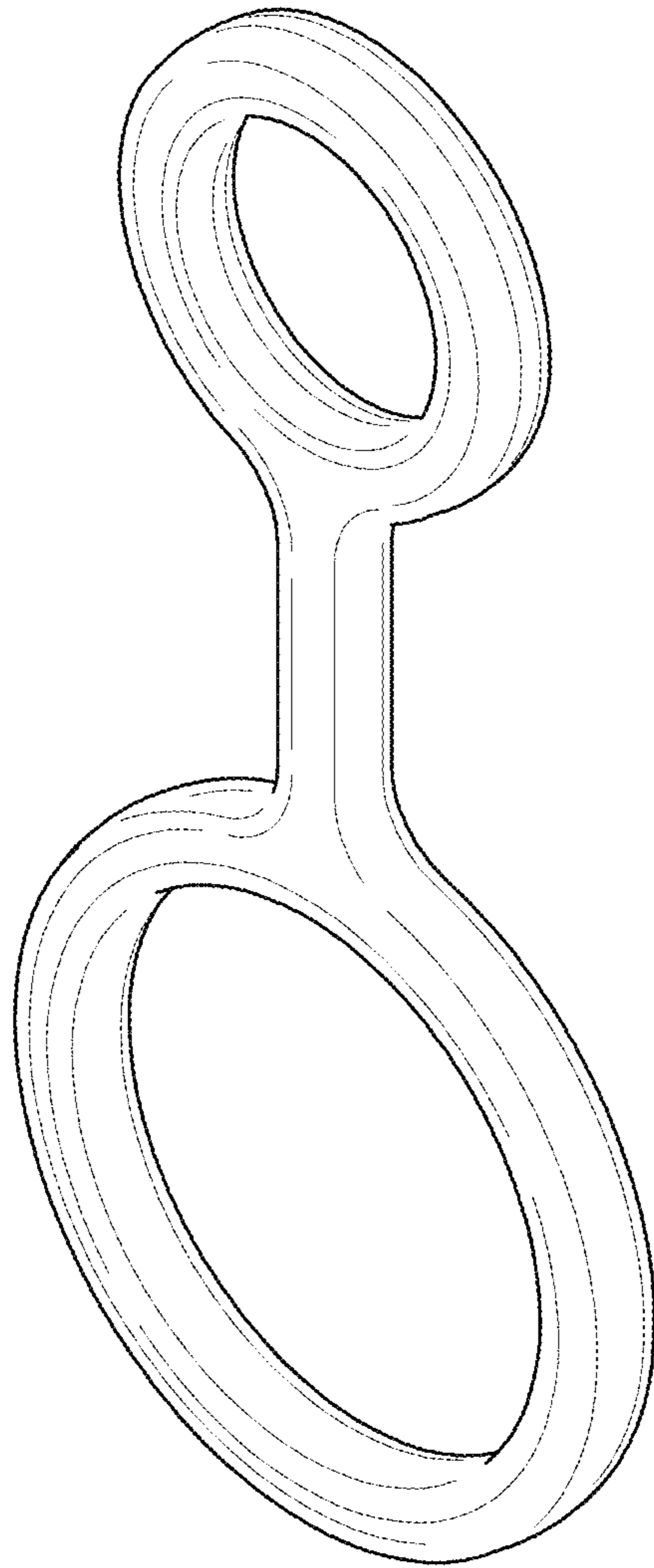


FIG. 5

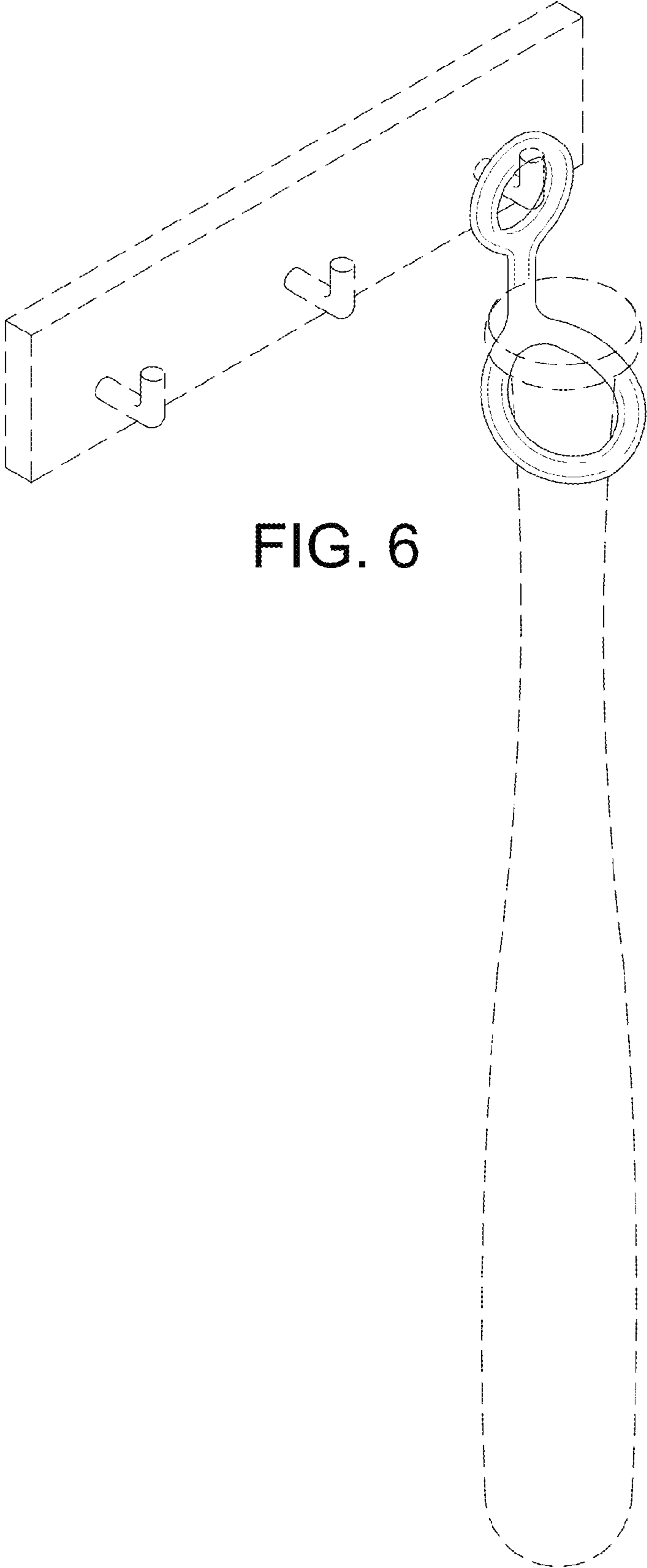


FIG. 6