



US00D729542S

(12) **United States Design Patent**
Dontfraid

(10) **Patent No.:** **US D729,542 S**

(45) **Date of Patent:** **** May 19, 2015**

(54) **TOOTHBRUSH HOLDER**

D569,150 S * 5/2008 Vasilev D6/534
D652,517 S * 1/2012 Weaver D8/367
D694,038 S * 11/2013 Besen et al. D6/534

(71) Applicant: **Franklyn Dontfraid**, Ormond Beach,
FL (US)

* cited by examiner

(72) Inventor: **Franklyn Dontfraid**, Ormond Beach,
FL (US)

Primary Examiner — Brian N Vinson
(74) *Attorney, Agent, or Firm* — Mark Young, P.A.

(**) Term: **14 Years**

(57) **CLAIM**

The ornamental design for a toothbrush holder, as shown and described.

(21) Appl. No.: **29/468,058**

(22) Filed: **Sep. 26, 2013**

DESCRIPTION

Related U.S. Application Data

(63) Continuation-in-part of application No. 13/409,243,
filed on Mar. 1, 2012, now abandoned.

(51) **LOC (10) Cl.** **23-02**

(52) **U.S. Cl.**
USPC **D6/534**

(58) **Field of Classification Search**
USPC D6/526, 524, 540, 534; 211/13.1, 70.6,
211/87.01, 89.01, 65; 248/200, 205.5,
248/309.1, 314, 127, 176.1, 230.7; D8/367,
D8/383; 401/123, 125, 191
See application file for complete search history.

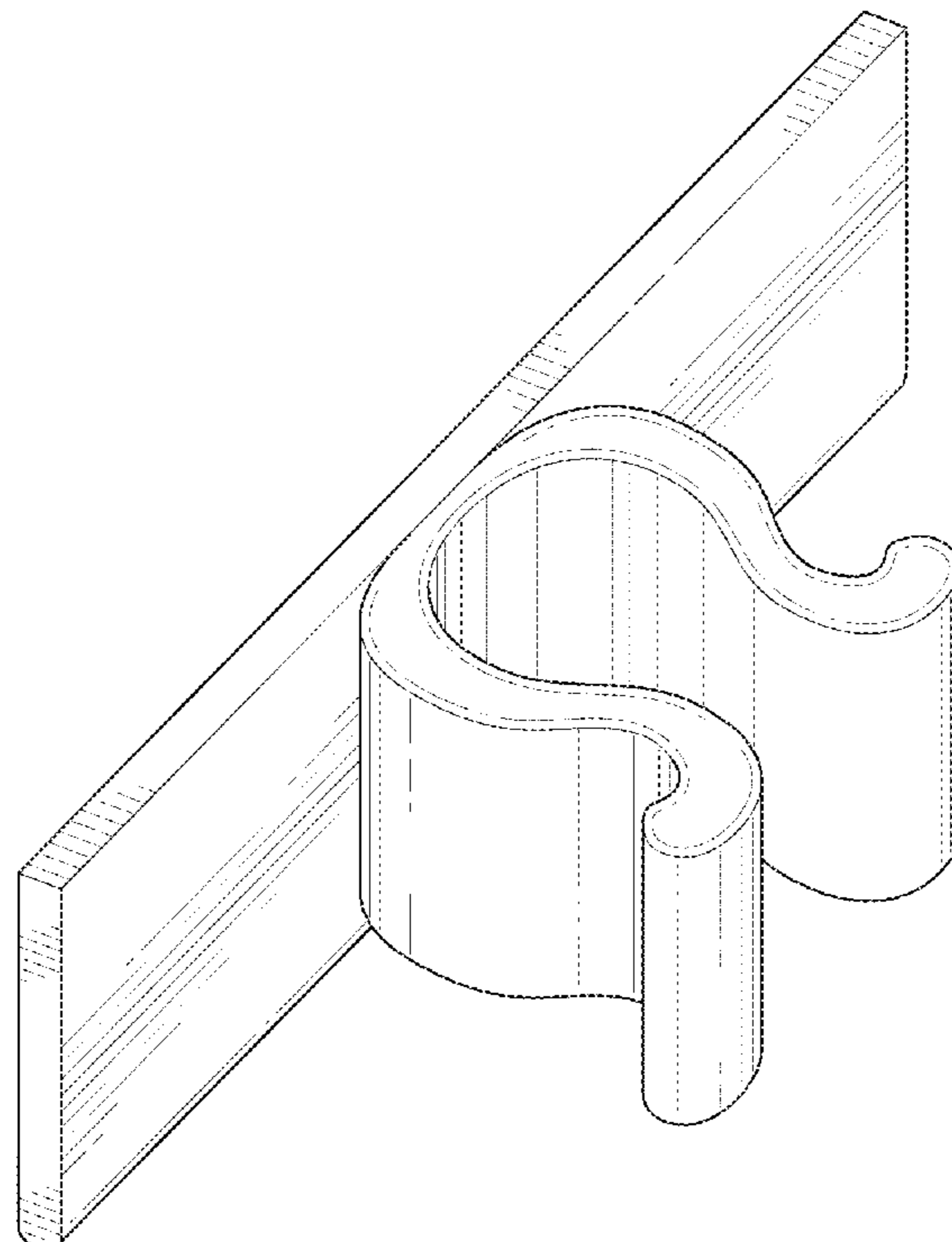
FIG. 1 is plan view of a toothbrush brush holder.
FIG. 2 is a bottom view of the toothbrush holder shown in FIG. 1.
FIG. 3 is a first top perspective view of the toothbrush holder shown in FIG. 1.
FIG. 4 is a first bottom perspective view of the toothbrush holder shown in FIG. 1.
FIG. 5 is a second top perspective view of the toothbrush holder shown in FIG. 1.
FIG. 6 is a second bottom perspective view of the toothbrush holder shown in FIG. 1.
FIG. 7 is a third top perspective view of the toothbrush holder shown in FIG. 1 holding a toothbrush and attached to a tube of toothpaste; and,
FIG. 8 is a fourth top perspective view of the toothbrush holder shown in FIG. 1 holding a toothbrush and attached to a tube of toothpaste.
All broken lines showing are included for the purpose of illustrating environment and forms no part of the claimed design.

(56) **References Cited**

U.S. PATENT DOCUMENTS

D240,681 S * 7/1976 Granatelli D6/526
D451,730 S * 12/2001 Henderson D6/534
D470,937 S * 2/2003 Gary et al. D8/373

1 Claim, 8 Drawing Sheets



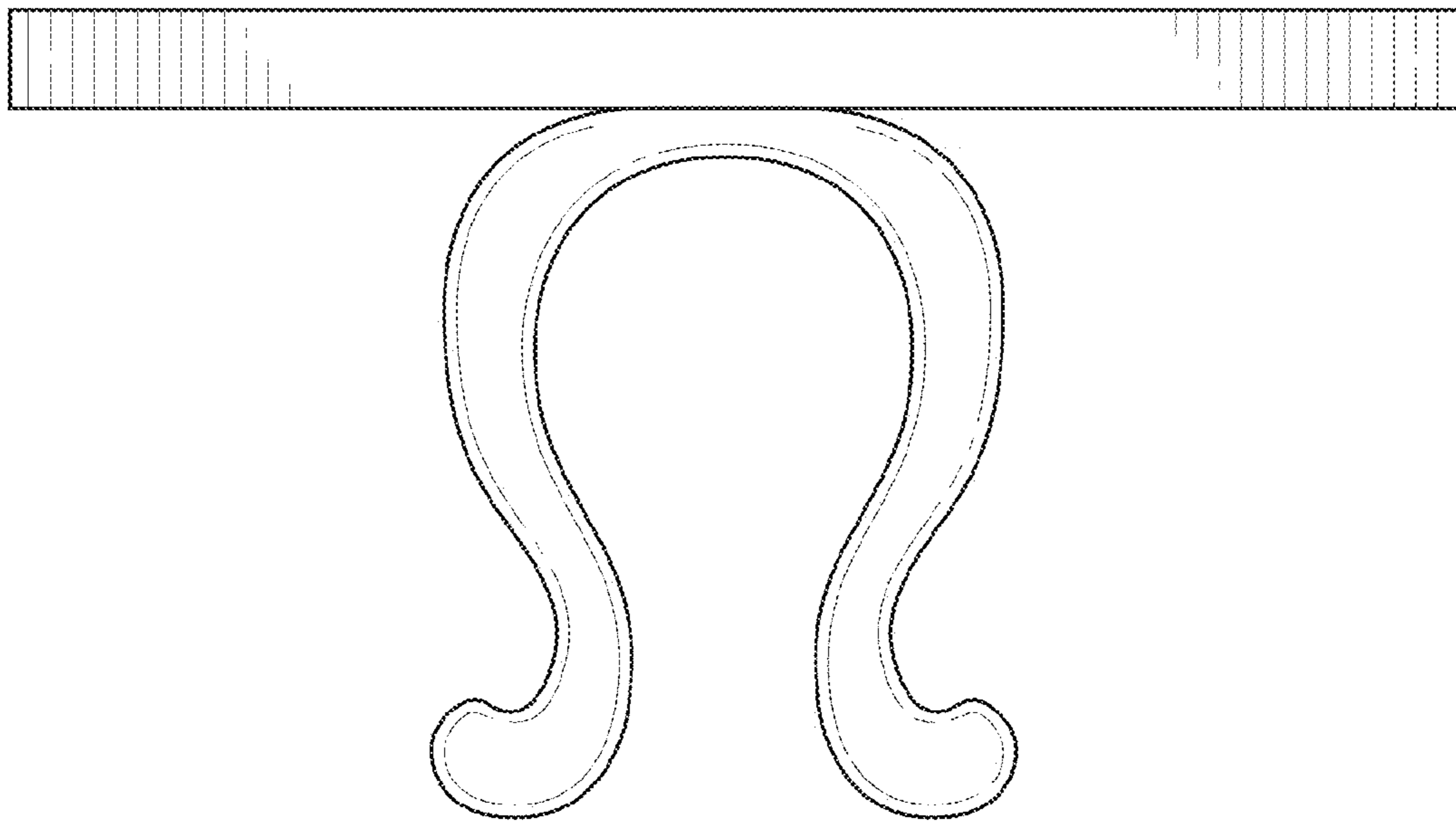


FIG. 1

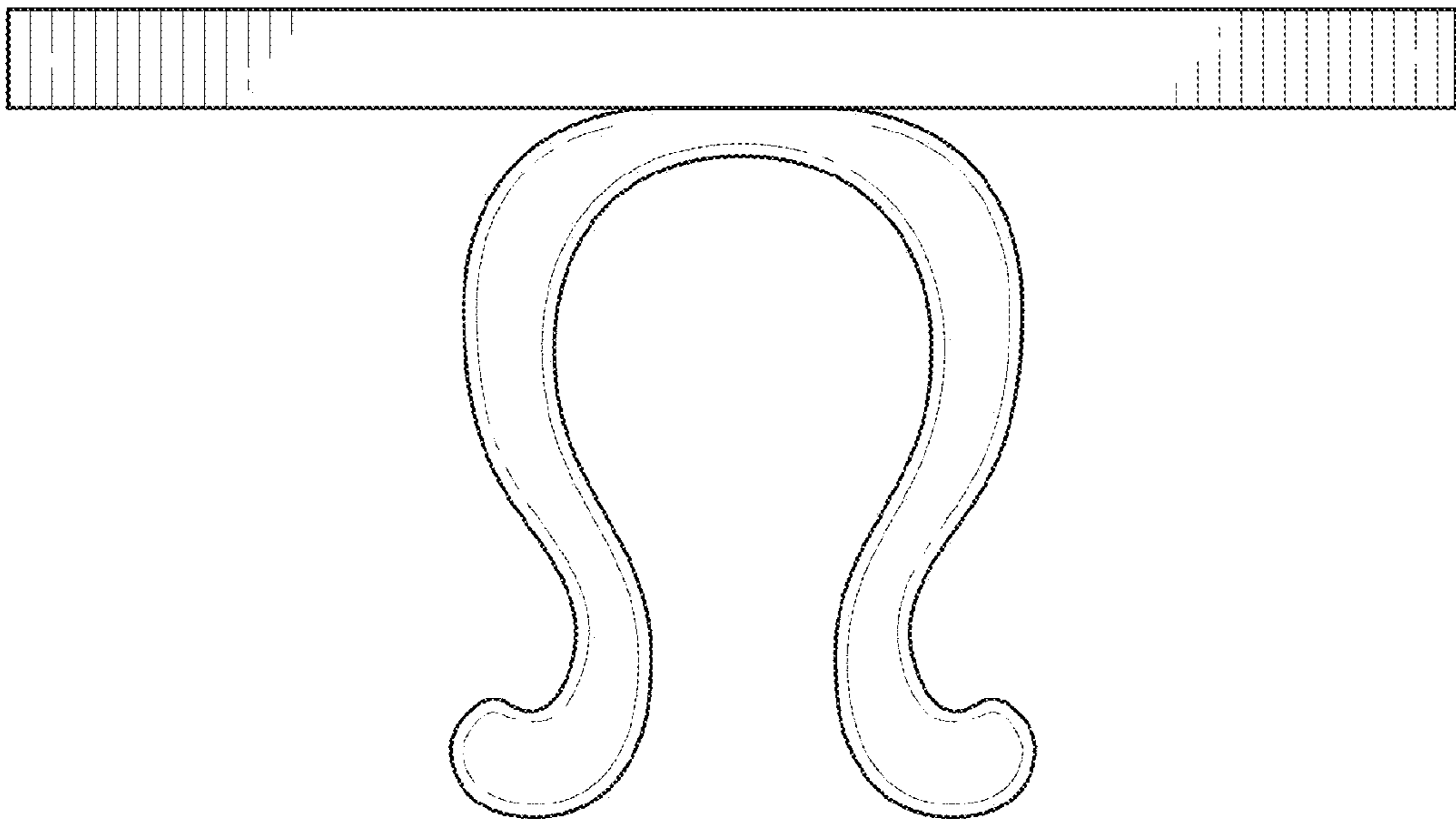


FIG. 2

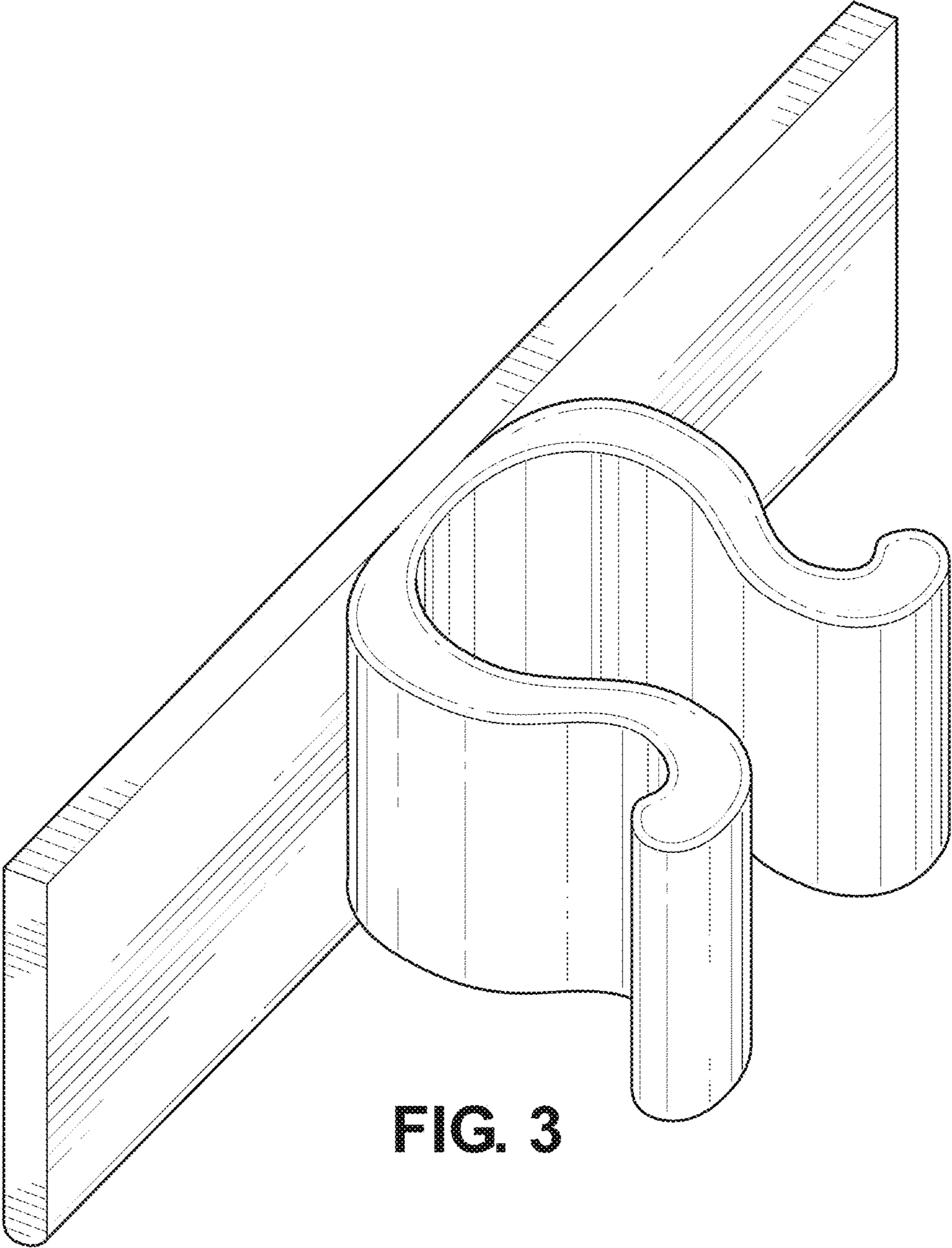


FIG. 3

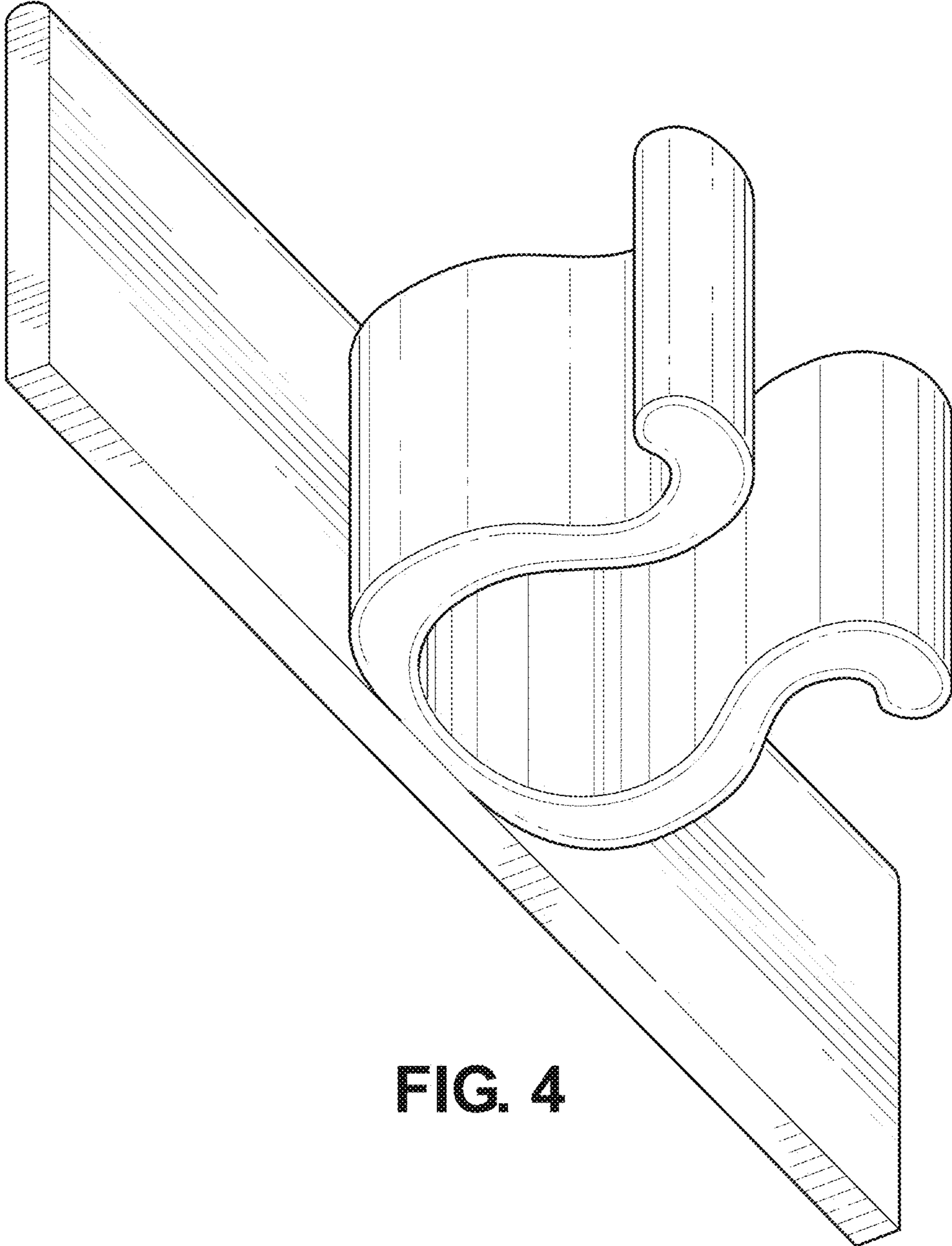


FIG. 4

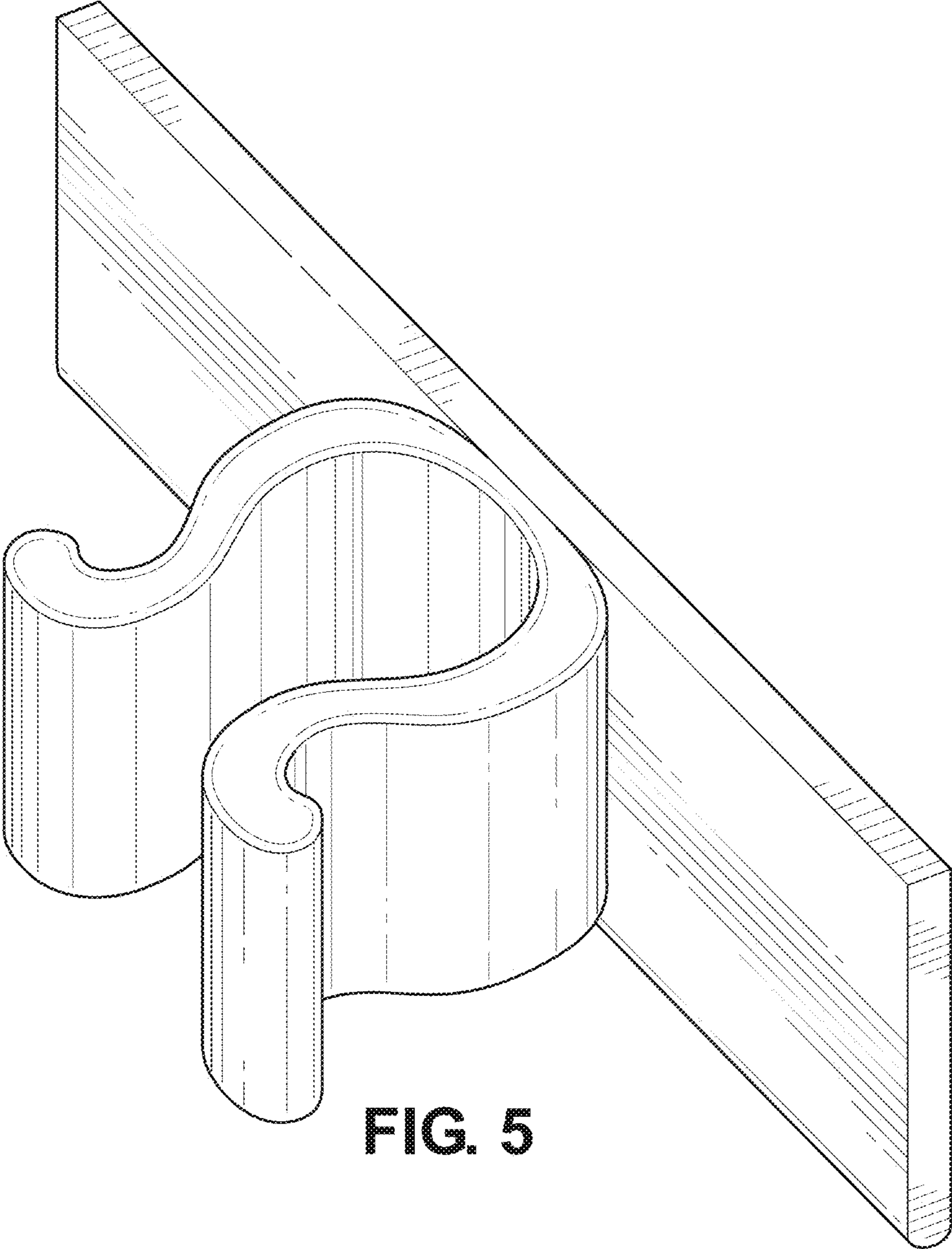


FIG. 5

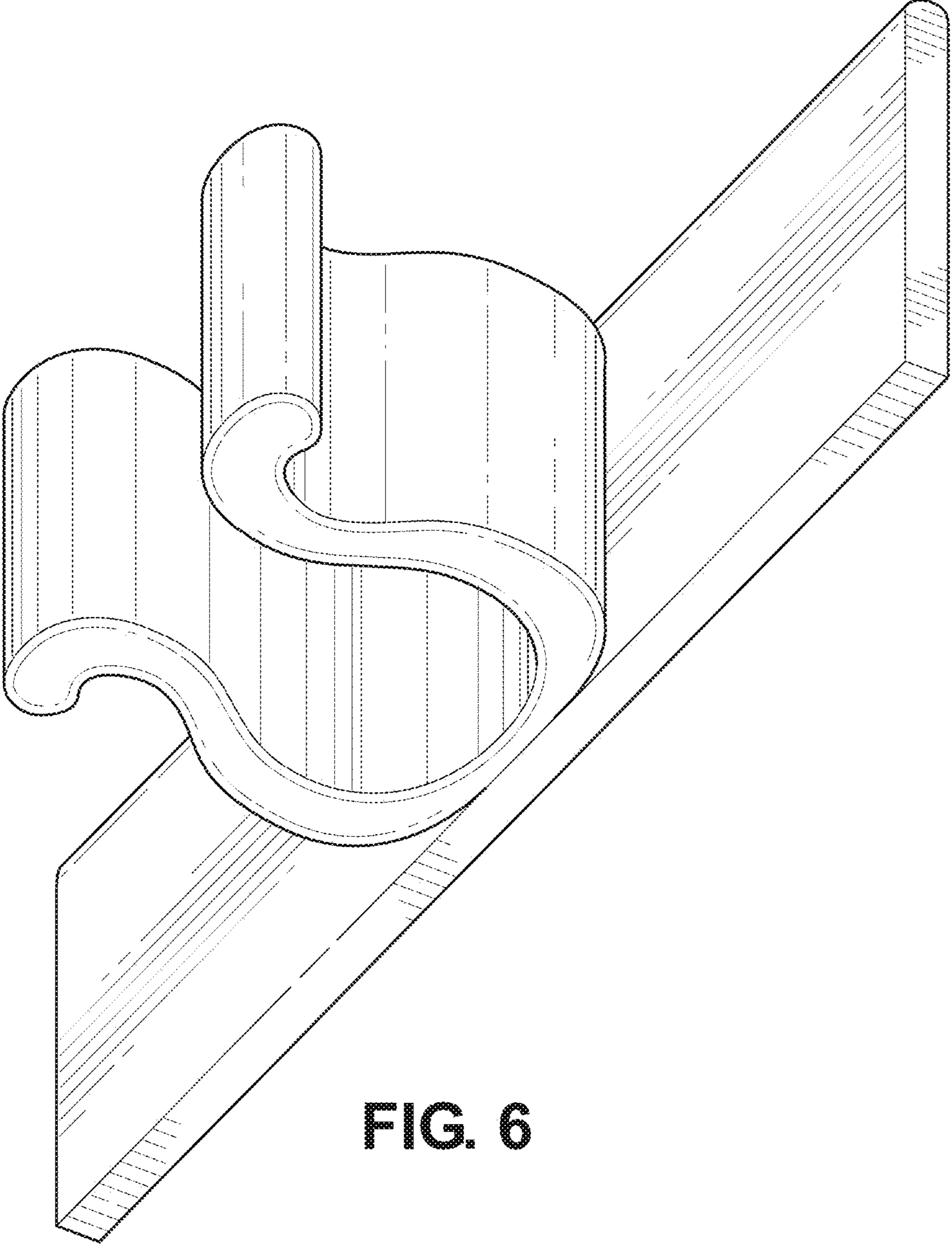


FIG. 6

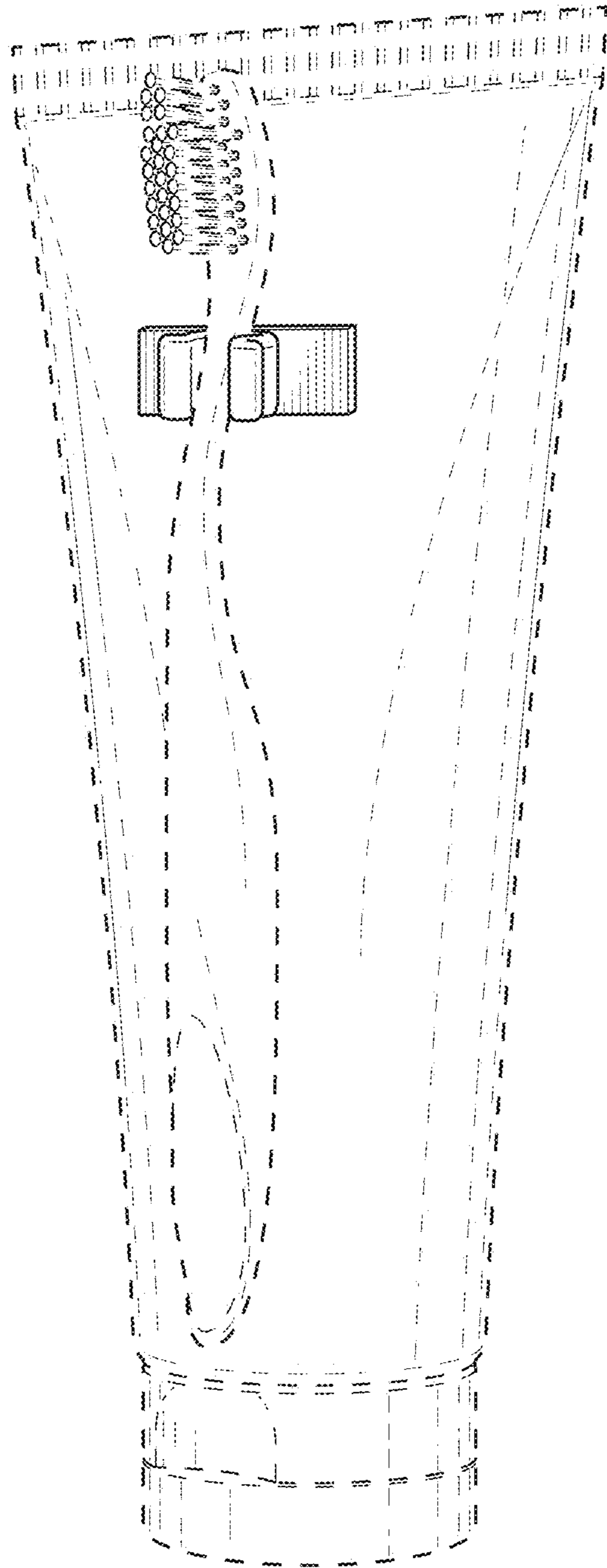


FIG. 7

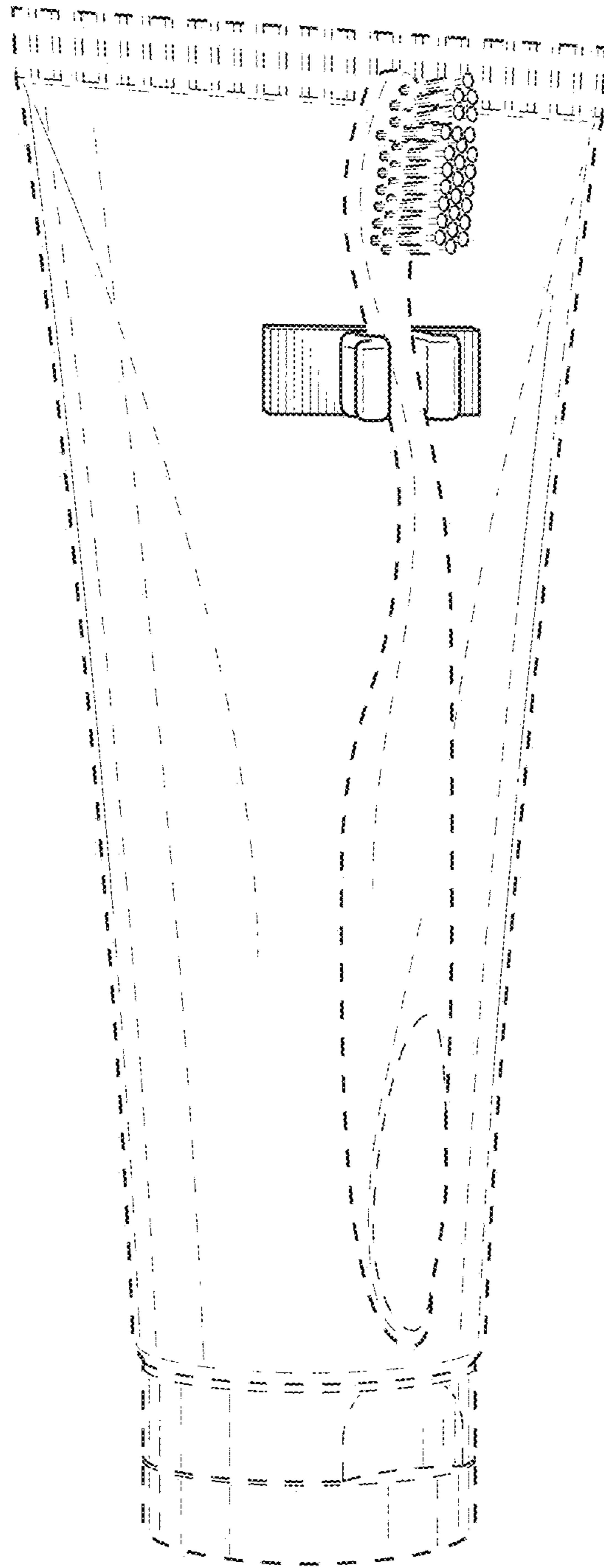


FIG. 8