



US00D729541S

(12) **United States Design Patent**
Wilson, Jr.

(10) **Patent No.:** **US D729,541 S**

(45) **Date of Patent:** **** May 19, 2015**

(54) **FEED PORTION FOR A PAPER DISPENSER**

(71) Applicant: **SCA Hygiene Products AB**, Göteborg
(SE)

(72) Inventor: **Rodney A. Wilson, Jr.**, Wilmington, DE
(US)

(73) Assignee: **SCA HYGIENE PRODUCTS AB**,
Gothenburg (SE)

(**) Term: **14 Years**

(21) Appl. No.: **29/476,924**

(22) Filed: **Dec. 18, 2013**

(51) **LOC (10) Cl.** **20-02**

(52) **U.S. Cl.**
USPC **D6/518**

(58) **Field of Classification Search**
USPC D6/542-545, 553, 567, 574, 515-525;
206/77.1; 211/13.1, 86.01, 87.01;
221/14, 92, 649, 146.1, 146.2, 105;
222/281-282; D23/225; D8/349, 354,
D8/363, 373, 394; D24/155

See application file for complete search history.

(56) **References Cited**

U.S. PATENT DOCUMENTS

D568,655	S	*	5/2008	Friesen et al.	D6/518
D613,536	S	*	4/2010	Pattberg	D6/518
D623,452	S	*	9/2010	McNeely et al.	D6/518
D630,873	S	*	1/2011	Kuehneman et al.	D6/518
D649,820	S	*	12/2011	Stutzel	D6/518
D666,035	S	*	8/2012	Velaquez et al.	D6/518

* cited by examiner

Primary Examiner — Brian N Vinson

(74) *Attorney, Agent, or Firm* — Buchanan Ingersoll & & Rooney PC

(57) **CLAIM**

The ornamental design for a feed portion for a paper dispenser, as shown and described.

DESCRIPTION

FIG. 1 is a front, top, perspective view of a feed portion for a paper dispenser showing my new design.

FIG. 2 is a front view thereof.

FIG. 3 is a rear view thereof.

FIG. 4 is a left side view thereof.

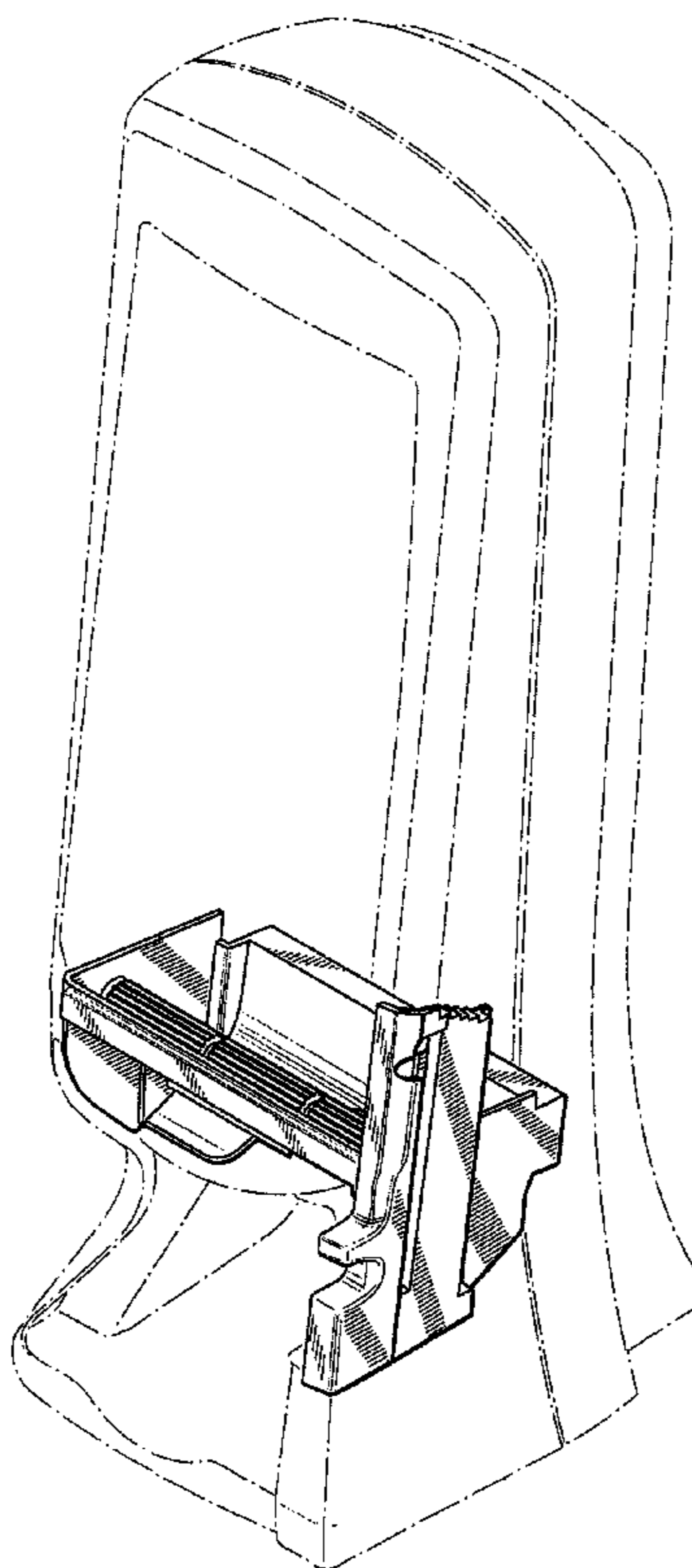
FIG. 5 is a right side view thereof.

FIG. 6 is a top view thereof; and,

FIG. 7 is a bottom view thereof.

The portions of the drawings shown in broken lines illustrate environmental structure or boundaries and form no part of the claimed design.

1 Claim, 4 Drawing Sheets



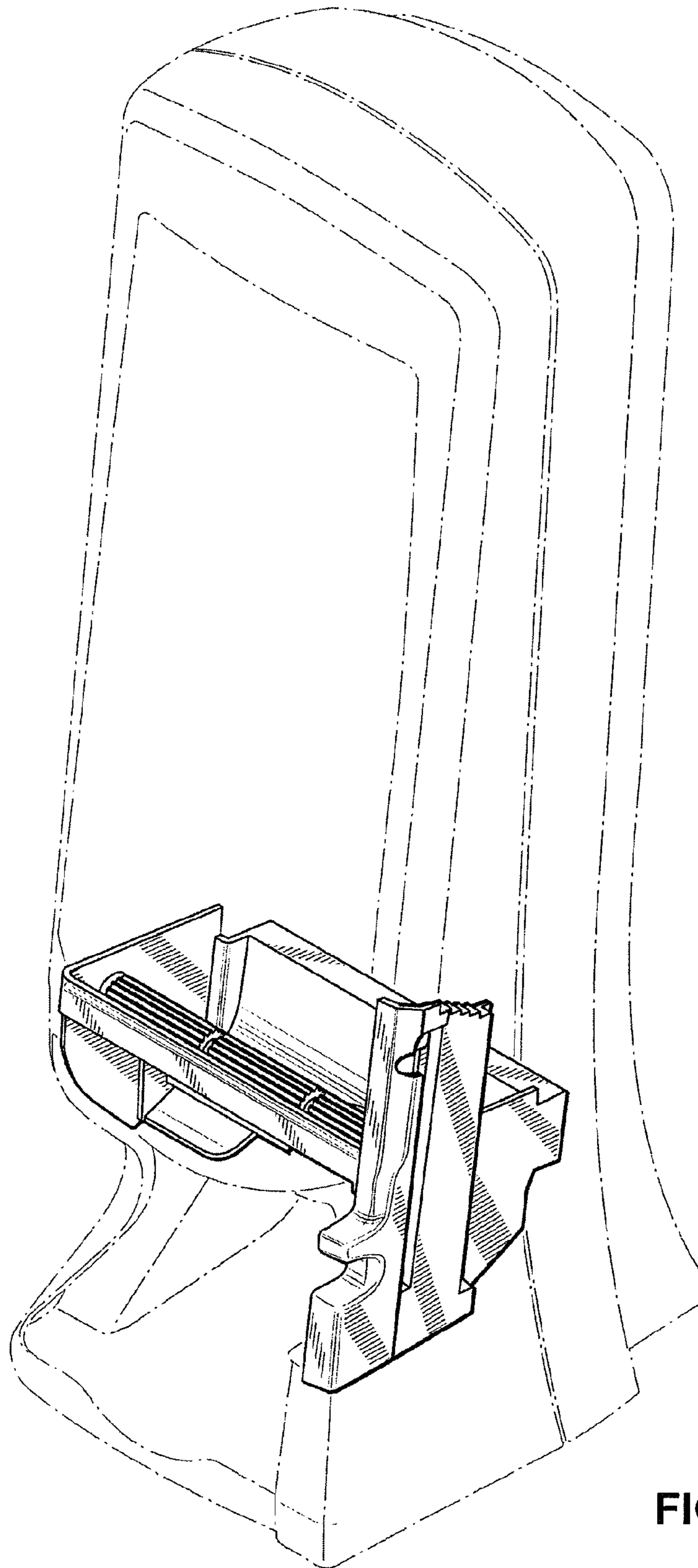


FIG. 1

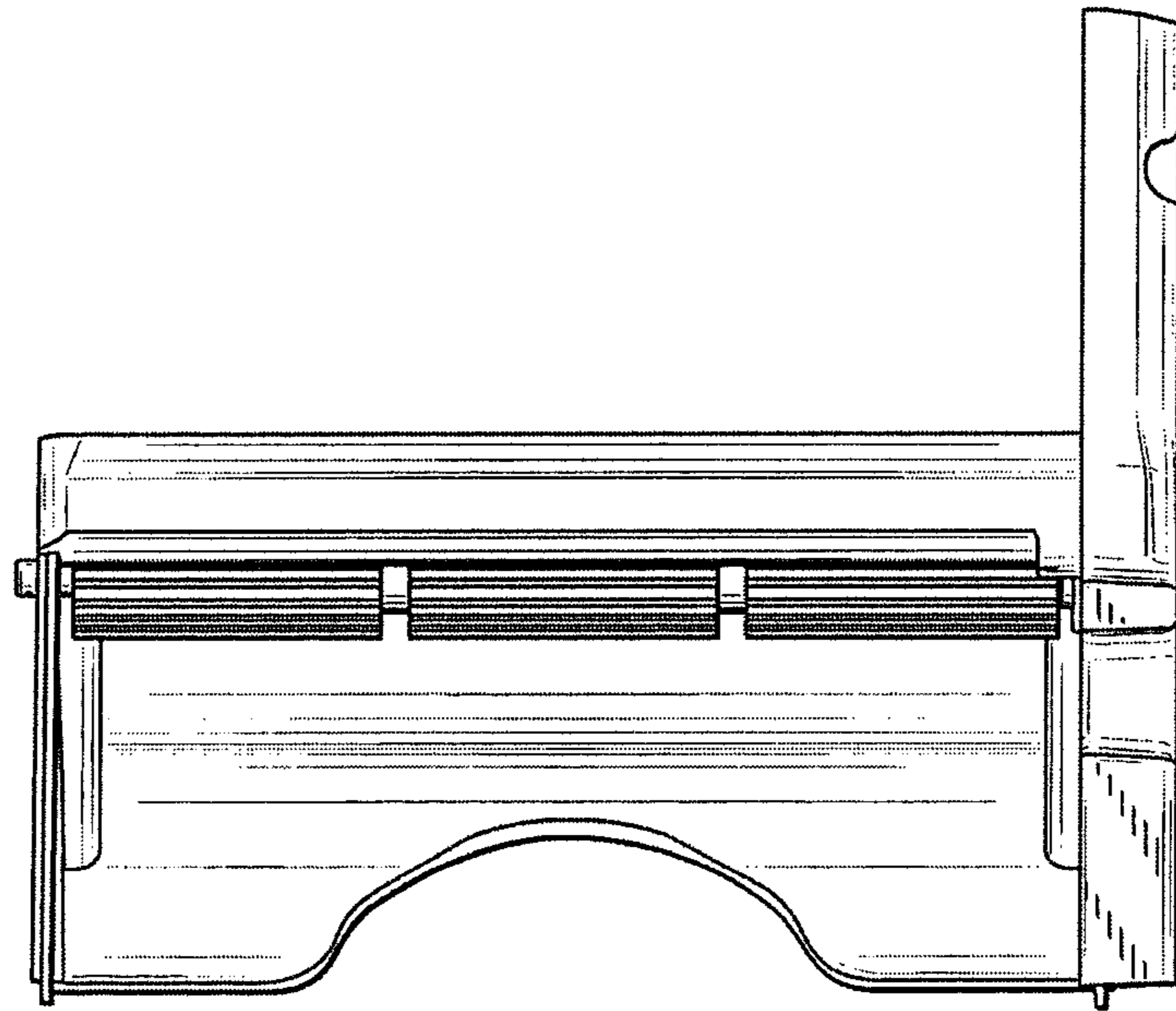


FIG. 2

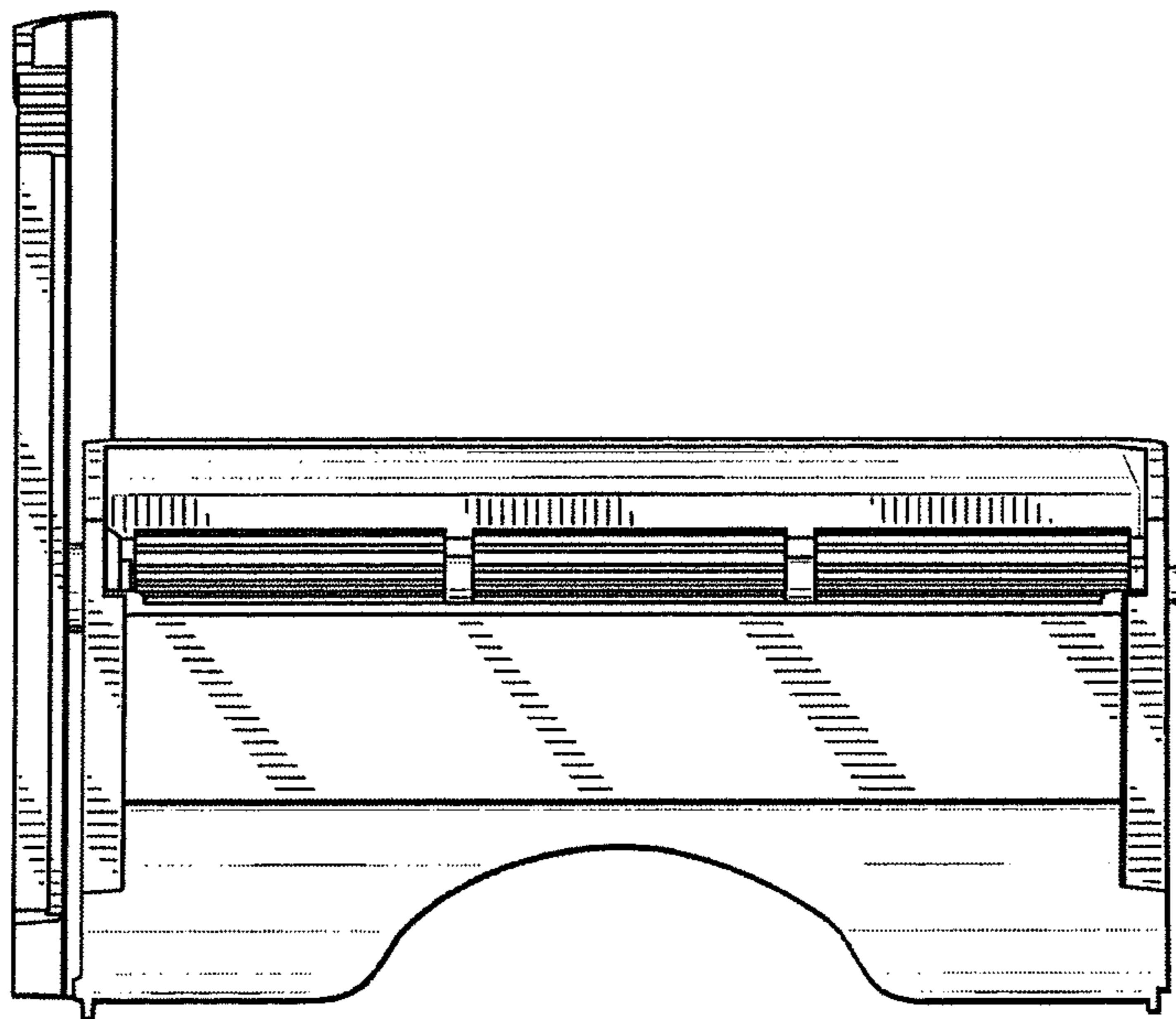


FIG. 3

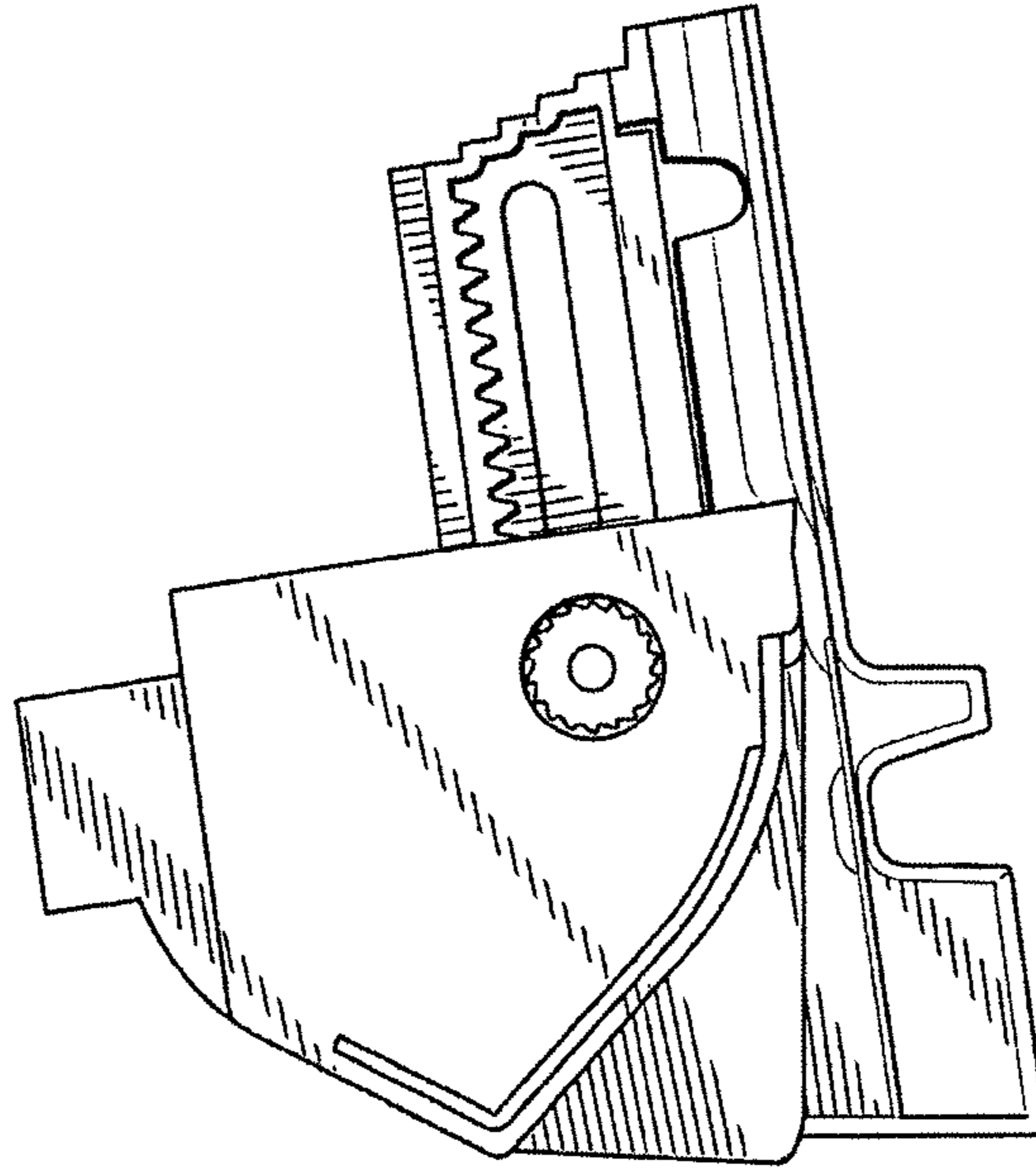


FIG. 4

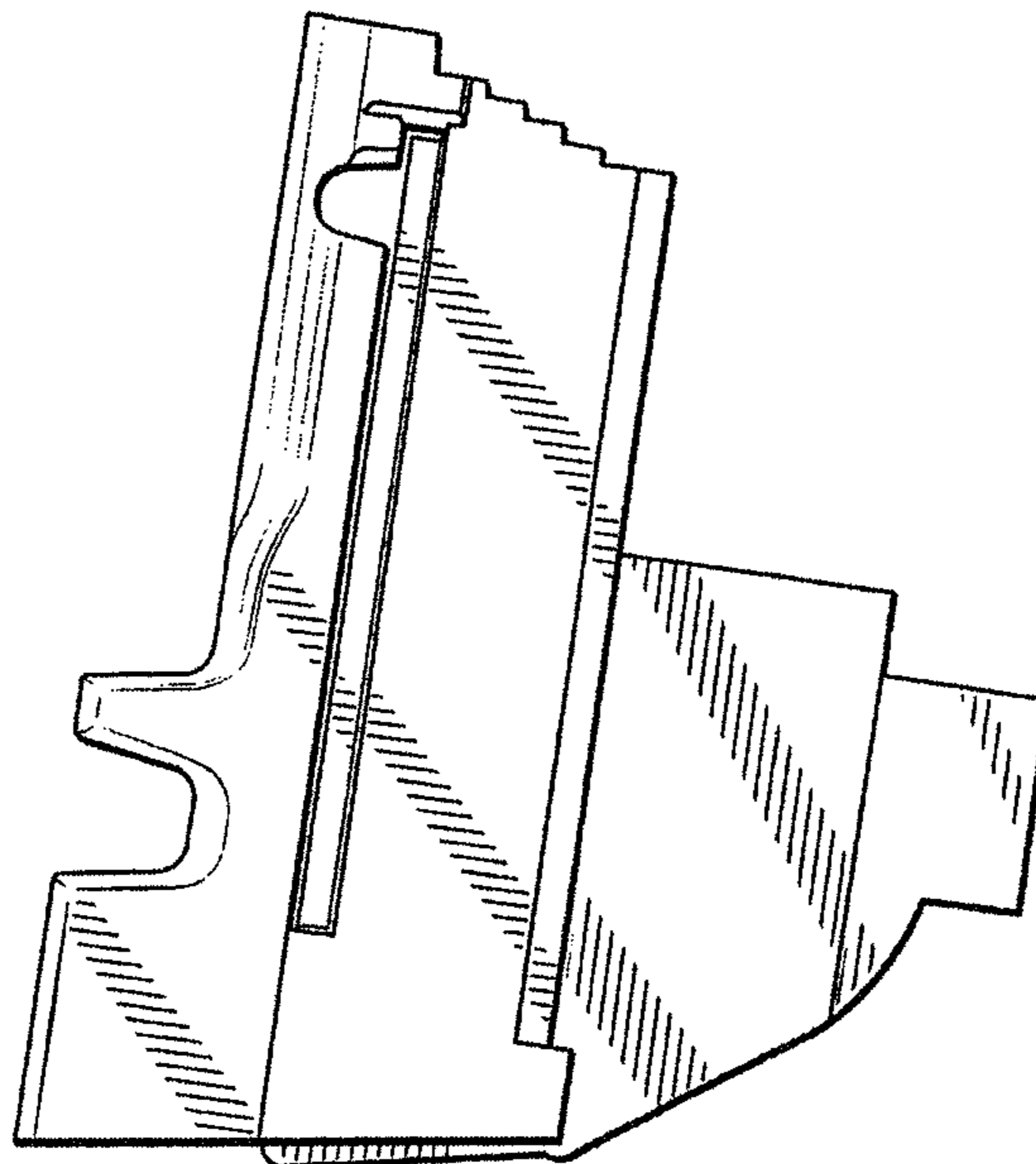


FIG. 5

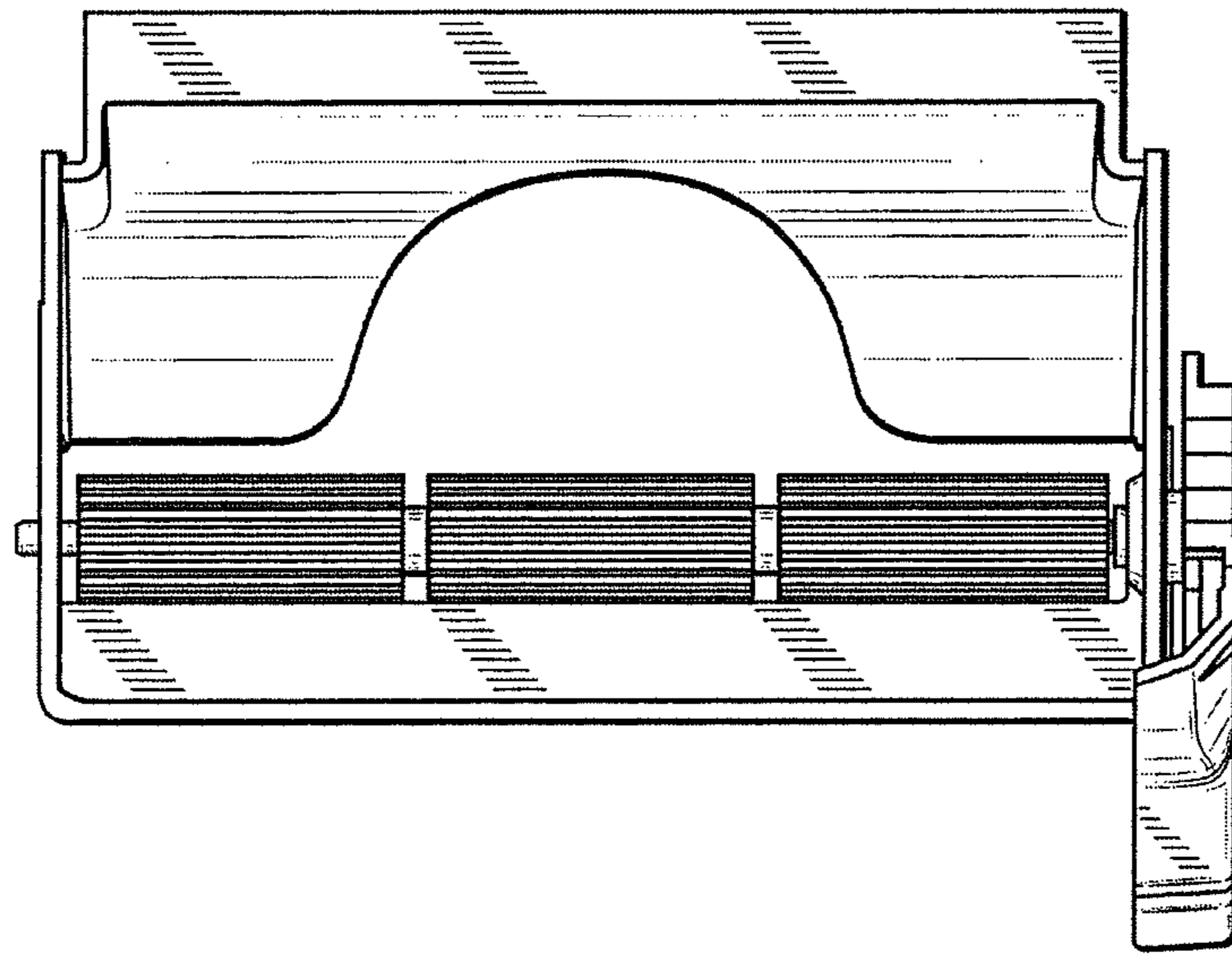


FIG. 6

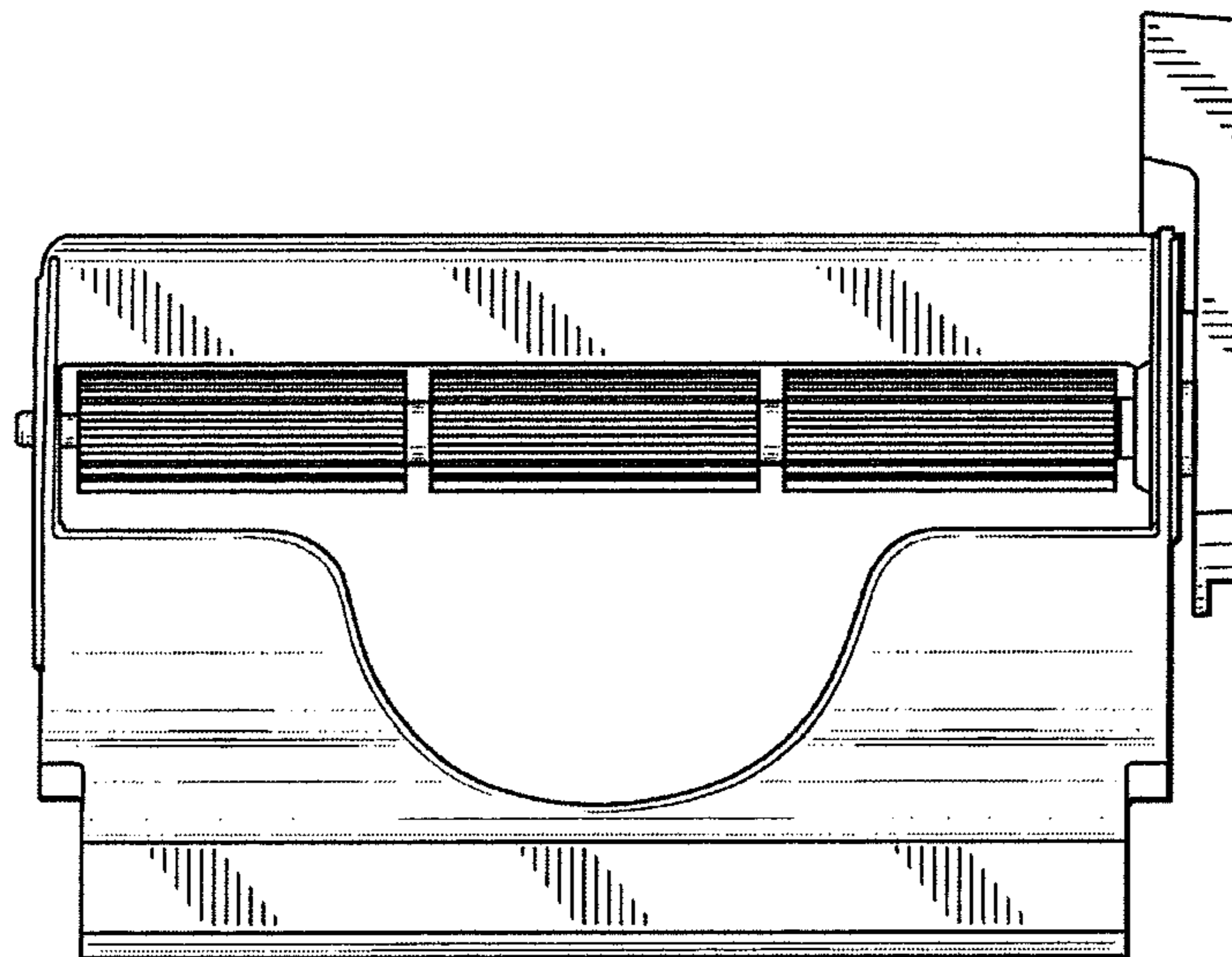


FIG. 7