



US00D729540S

(12) **United States Design Patent**  
**Erdman**

(10) **Patent No.:** **US D729,540 S**

(45) **Date of Patent:** **\*\* May 19, 2015**

- (54) **SHEET DISPENSING ASSEMBLY**
- (71) Applicant: **John Erdman**, Boston, MA (US)
- (72) Inventor: **John Erdman**, Boston, MA (US)
- (\*\*) Term: **14 Years**
- (21) Appl. No.: **29/450,529**
- (22) Filed: **Mar. 19, 2013**

**Related U.S. Application Data**

- (63) Continuation of application No. 13/452,979, filed on Apr. 23, 2012, now abandoned.
- (51) **LOC (10) Cl.** ..... **20-02**
- (52) **U.S. Cl.**  
USPC ..... **D6/518**
- (58) **Field of Classification Search**  
USPC ..... D6/542-545, 553, 567, 574, 515-525;  
206/77.1; 211/13.1, 86.01, 87.01;  
221/14, 92, 649, 146.1, 146.2, 105, 33,  
221/34, 45-49, 61, 63, 281-282, 283, 303;  
222/281-282; D23/225; D8/349, 354,  
D8/363, 373, 394; D24/155; 248/311.2,  
248/311.3  
See application file for complete search history.

(56) **References Cited**

**U.S. PATENT DOCUMENTS**

2,082,765	A	6/1937	Krueger	
2,263,956	A *	11/1941	Russell	248/311.2
2,278,011	A	3/1942	Lee	
D156,646	S *	12/1949	Mell	D6/518
2,490,426	A *	12/1949	Gerdeman	248/311.2
D162,122	S *	2/1951	Broeren	D6/518
D182,391	S *	3/1958	Tuttle	D6/518
2,882,113	A	4/1959	Gantner	
3,144,961	A	8/1964	Phenner	
3,168,275	A *	2/1965	Grondin	248/311.2
3,258,238	A *	6/1966	Grafton	248/311.3
3,288,416	A *	11/1966	Franklin	248/311.3
D207,465	S *	4/1967	Dudley	D6/518

4,619,766	A	10/1986	Smiley	
4,648,530	A	3/1987	Granger	
D298,396	S *	11/1988	Gallego	D6/518
5,255,818	A *	10/1993	Zeigler	221/45
5,622,281	A	4/1997	Annand	
D424,851	S *	5/2000	Smith et al.	D6/515
6,131,764	A	10/2000	Norman	
D437,167	S	2/2001	Hardaway	
6,257,443	B1	7/2001	Lacount	
6,354,462	B1	3/2002	Conran	
D456,652	S *	5/2002	Smith	D6/518
6,575,329	B2	6/2003	Clark	
6,622,888	B2	9/2003	Boone	
6,623,833	B2	9/2003	Chan	
7,000,802	B2	2/2006	Kringel	
7,134,572	B2	11/2006	Morin	
7,252,209	B2	8/2007	Julius	
7,367,470	B2	5/2008	Cittadino	
7,490,733	B2	2/2009	Tagliareni	
2004/0007586	A1	1/2004	Boone	
2004/0026440	A1	2/2004	Kruchoski	
2005/0279756	A1	12/2005	Bitowft	
2008/0264965	A1	10/2008	Reinsel	

\* cited by examiner

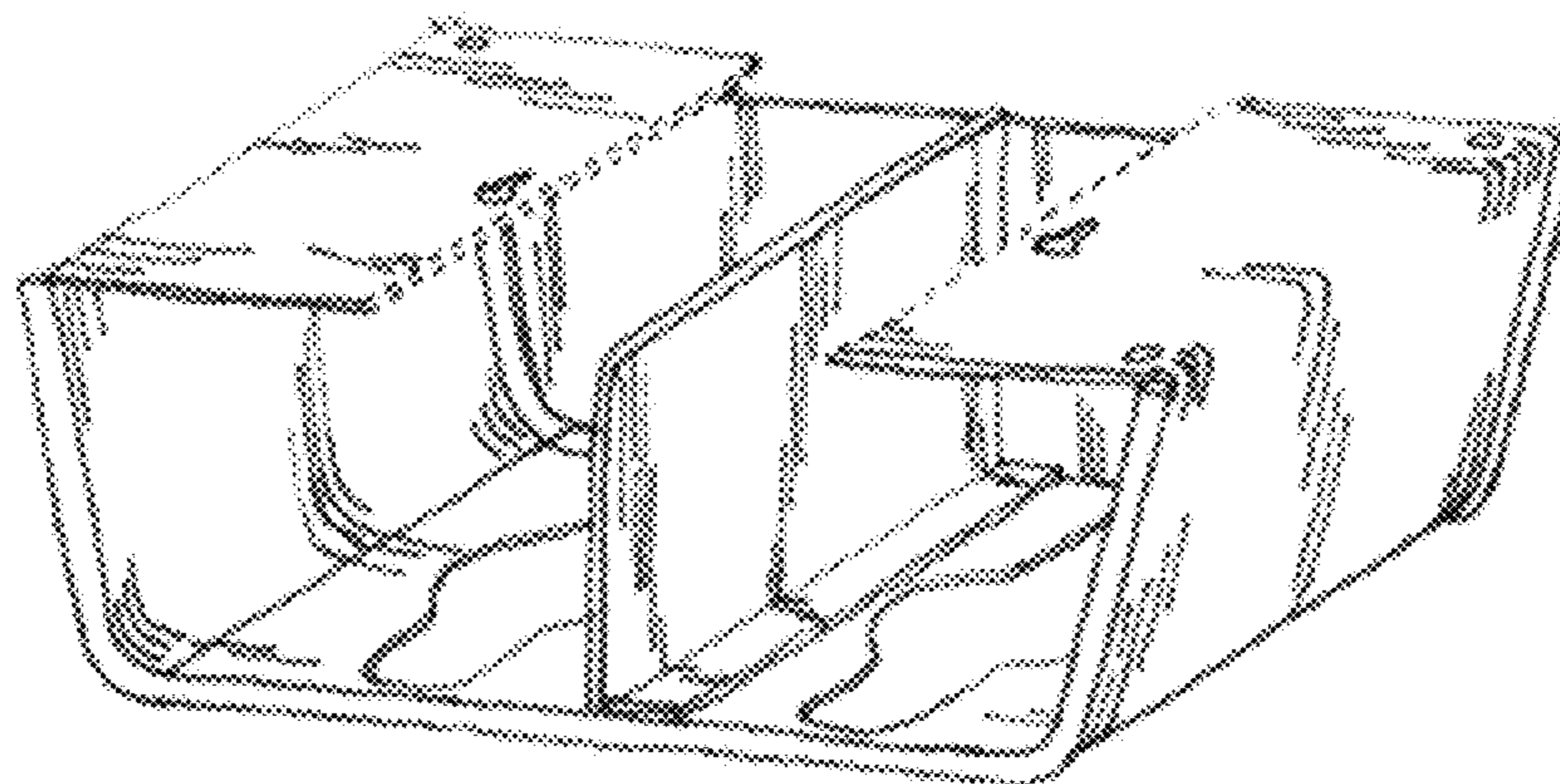
*Primary Examiner* — Brian N Vinson  
(74) *Attorney, Agent, or Firm* — John Brooks Law LLC;  
John J Brooks, III

(57) **CLAIM**  
The ornamental design for a sheet dispensing assembly, as shown and described.

**DESCRIPTION**

FIG. 1 is a top perspective view of a sheet dispensing assembly showing the new design;  
FIG. 2 is a left-side view thereof;  
FIG. 3 is a right-side view thereof;  
FIG. 4 is a front view thereof and the back view is a mirror image of the front view;  
FIG. 5 is a top view thereof; and,  
FIG. 6 is a bottom view thereof.  
The broken lines are shown in the views for illustrative purposes only and form no part of the claimed design.

**1 Claim, 4 Drawing Sheets**



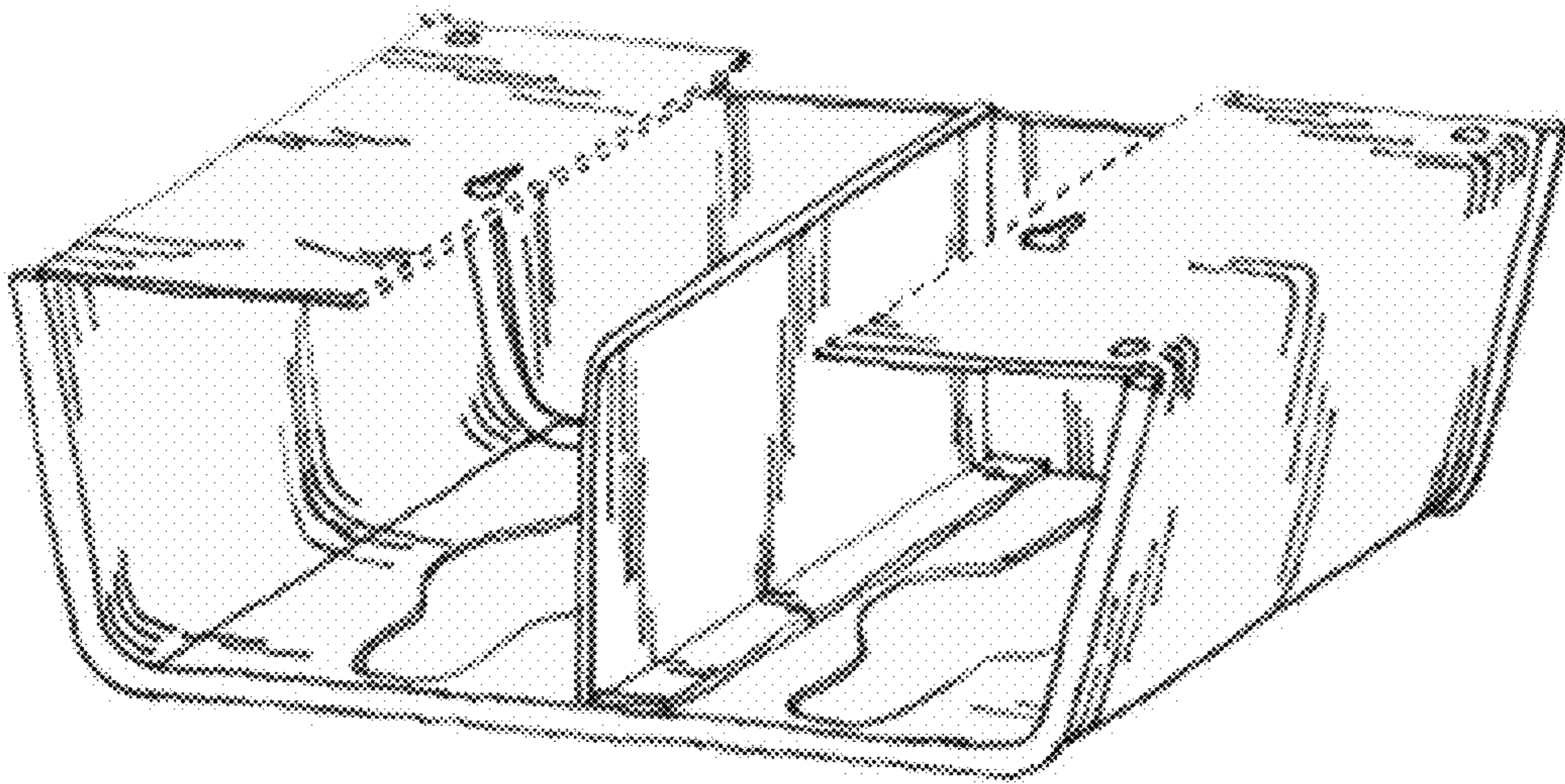


FIG. 1

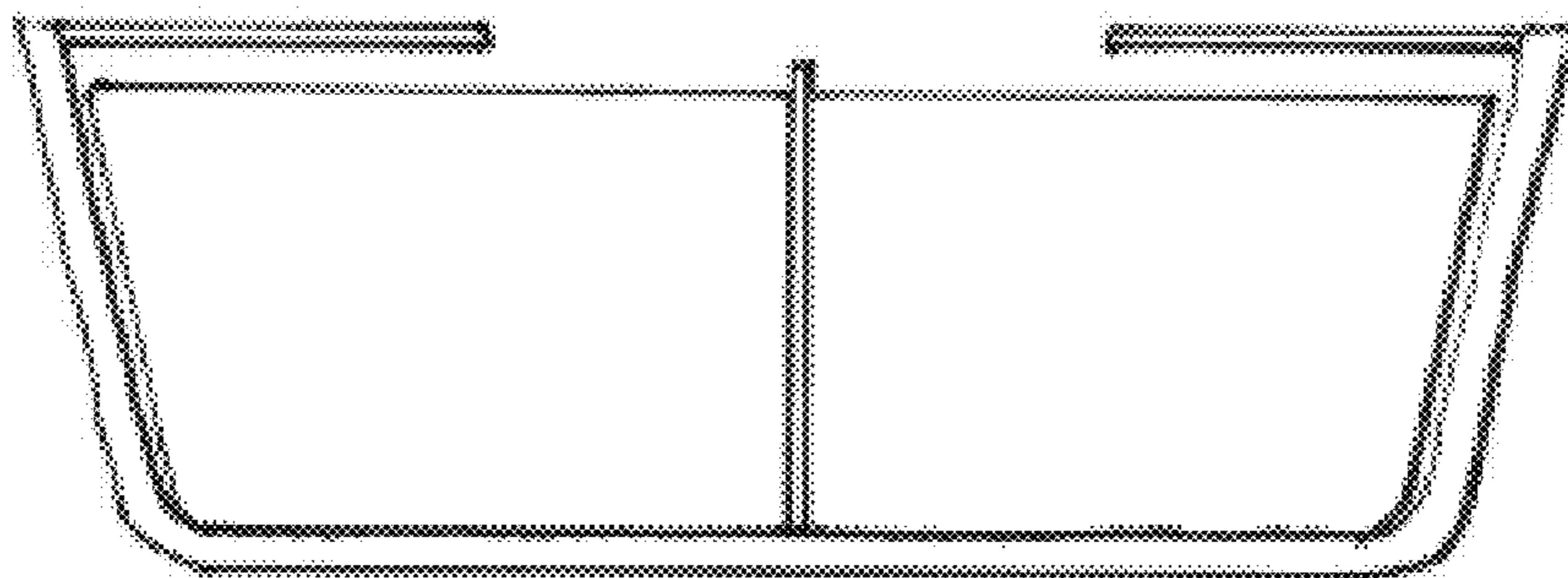


FIG. 2

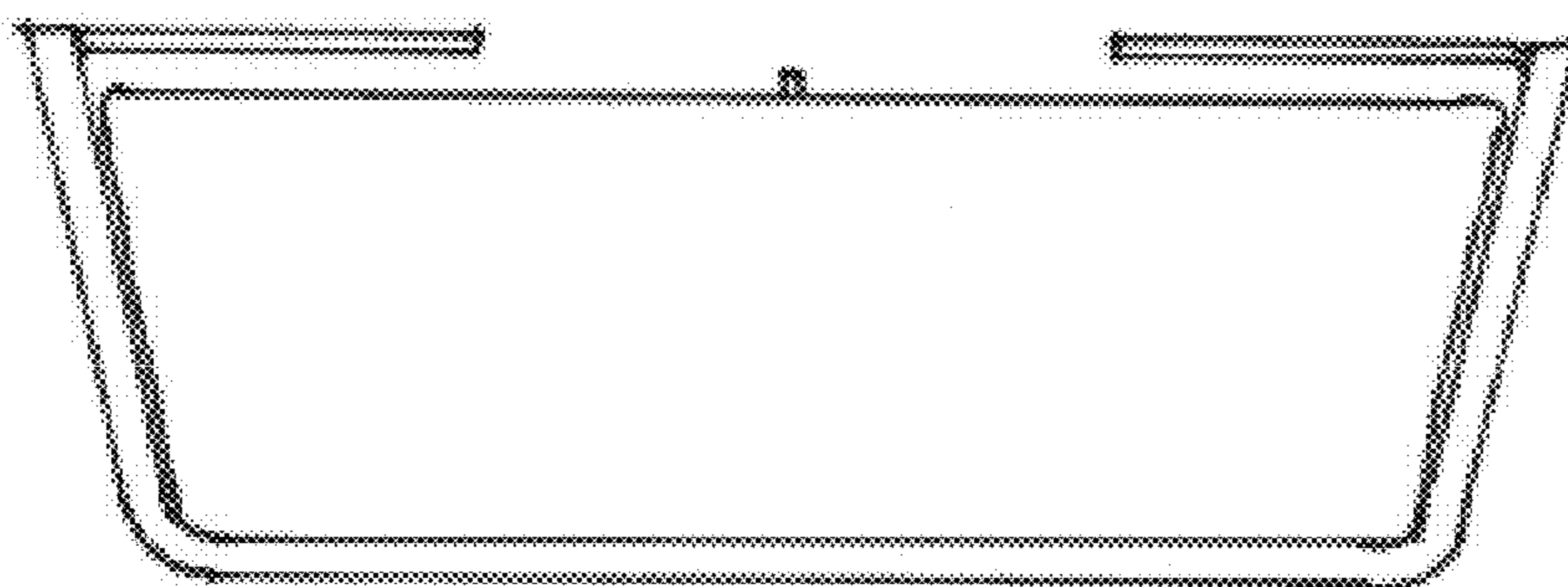


FIG. 3

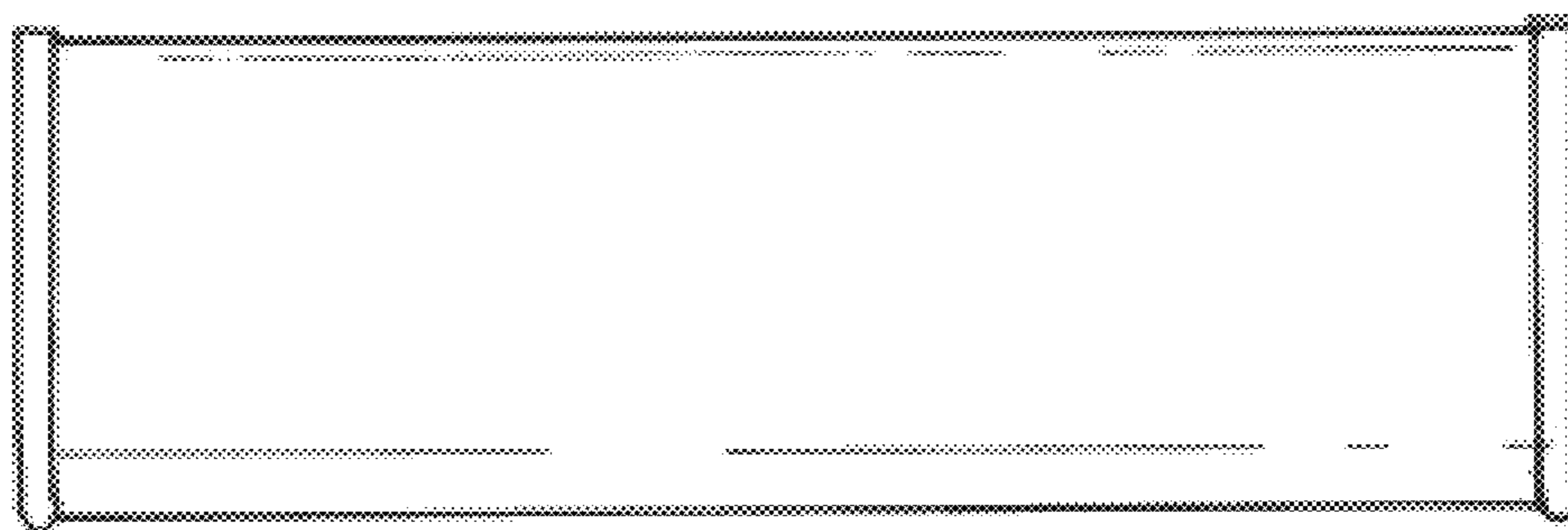


FIG. 4

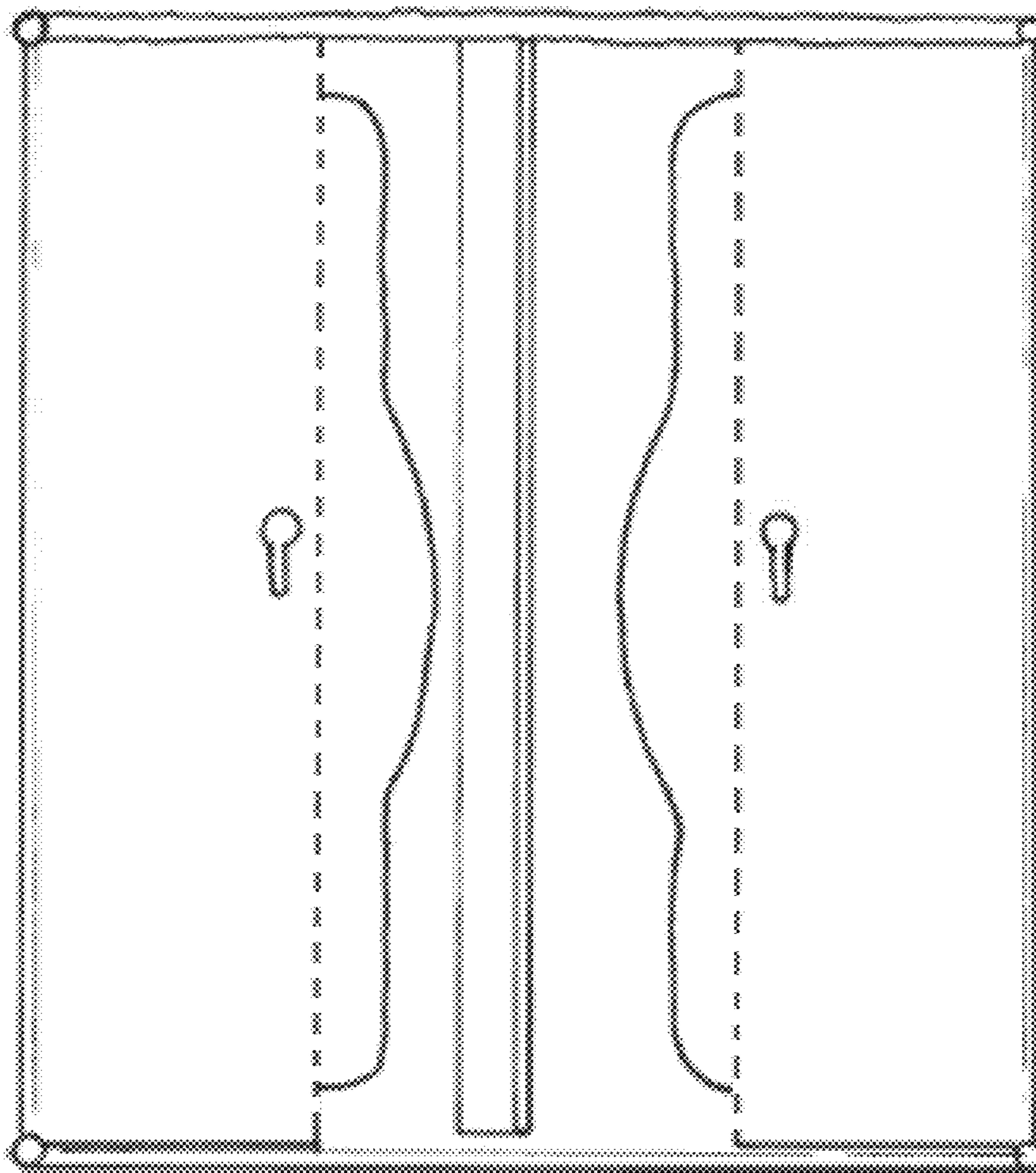


FIG. 5

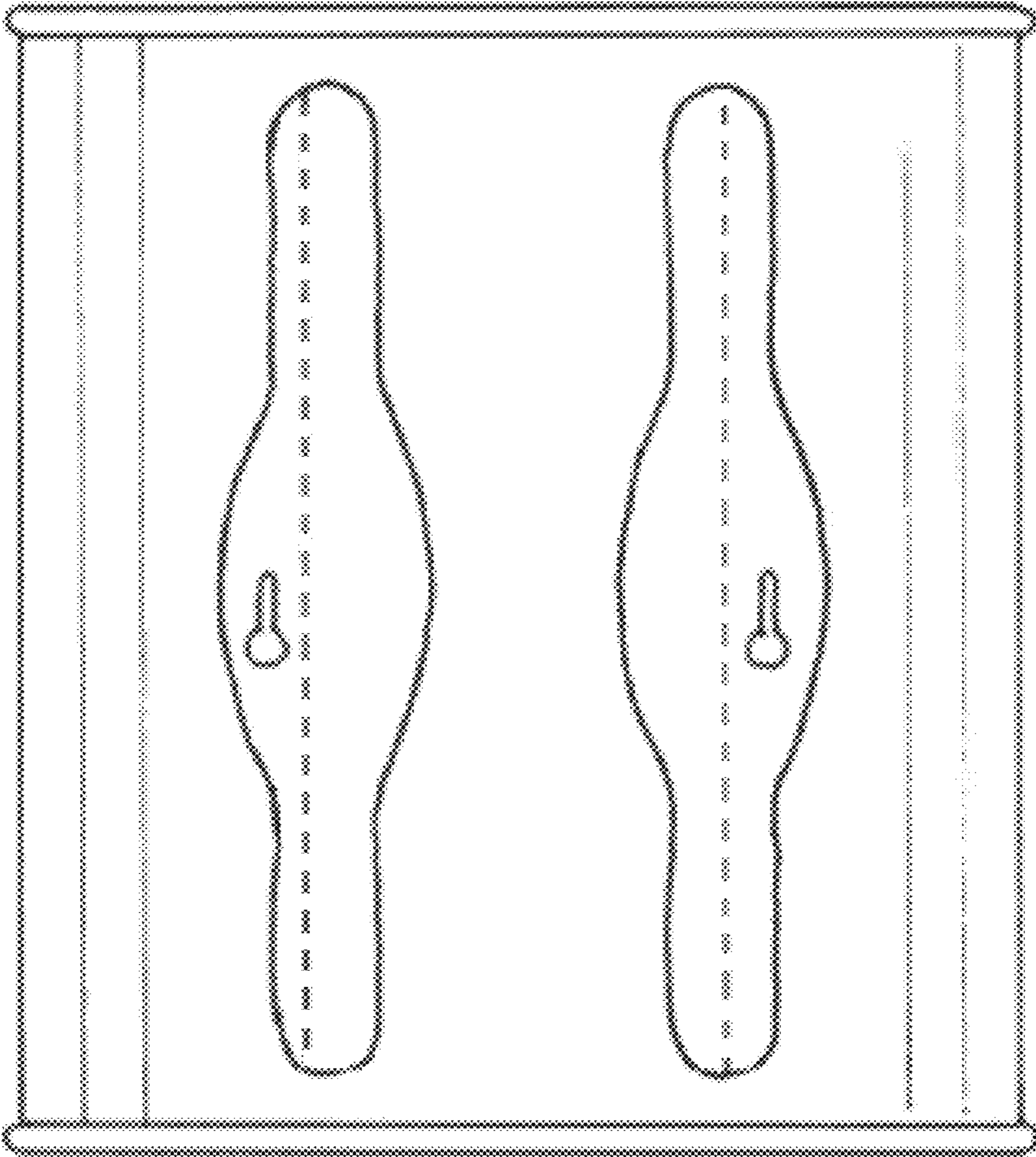


FIG. 6