



US00D729538S

(12) **United States Design Patent**  
**Kotilainen**

(10) **Patent No.:** **US D729,538 S**

(45) **Date of Patent:** **\*\* May 19, 2015**

(54) **CHAIR**

(56) **References Cited**

(71) Applicant: **ARPER S.p.A.**, Monastier di Treviso,  
Treviso (IT)

(72) Inventor: **Antti Kotilainen**, Treviso (IT)

(73) Assignee: **ARPER S.p.A.**, Monastier di Treviso,  
Treviso (IT)

(\*\*) Term: **14 Years**

(21) Appl. No.: **29/468,584**

(22) Filed: **Oct. 1, 2013**

(30) **Foreign Application Priority Data**

Apr. 8, 2013 (WO) ..... 730868701

(51) **LOC (10) Cl.** ..... **06-01**

(52) **U.S. Cl.**  
USPC ..... **D6/375**

(58) **Field of Classification Search**  
CPC ..... A47C 3/04; A47C 4/03; A47C 4/02;  
A47C 5/04; A47C 3/12; A47C 7/16; A47C  
5/12  
USPC ..... D6/334-336, 371, 373, 374, 375, 716,  
D6/716.1, 716.4; 297/239, 445.1, 446.1,  
297/448.1, 452.12, 452.19, DIG. 2

See application file for complete search history.

U.S. PATENT DOCUMENTS

3,025,105	A *	3/1962	Nash .....	A47C 3/04
4,002,369	A *	1/1977	Jennings .....	A47C 5/12
D409,407	S *	5/1999	Wang .....	D6/375
D555,379	S *	11/2007	Ziliani .....	D6/375
D646,076	S *	10/2011	Levy .....	D6/375
D648,562	S *	11/2011	Lievore et al. ....	D6/375
D656,754	S *	4/2012	Starck .....	D6/375
D663,132	S *	7/2012	Morrison .....	D6/375
D665,593	S *	8/2012	Morrison .....	D6/375
D669,701	S *	10/2012	Starck .....	D6/375
D670,099	S *	11/2012	Olivares .....	D6/375
D715,569	S *	10/2014	Laub et al. ....	D6/375

\* cited by examiner

*Primary Examiner* — Mimoso De

(74) *Attorney, Agent, or Firm* — Merchant & Gould P.C.

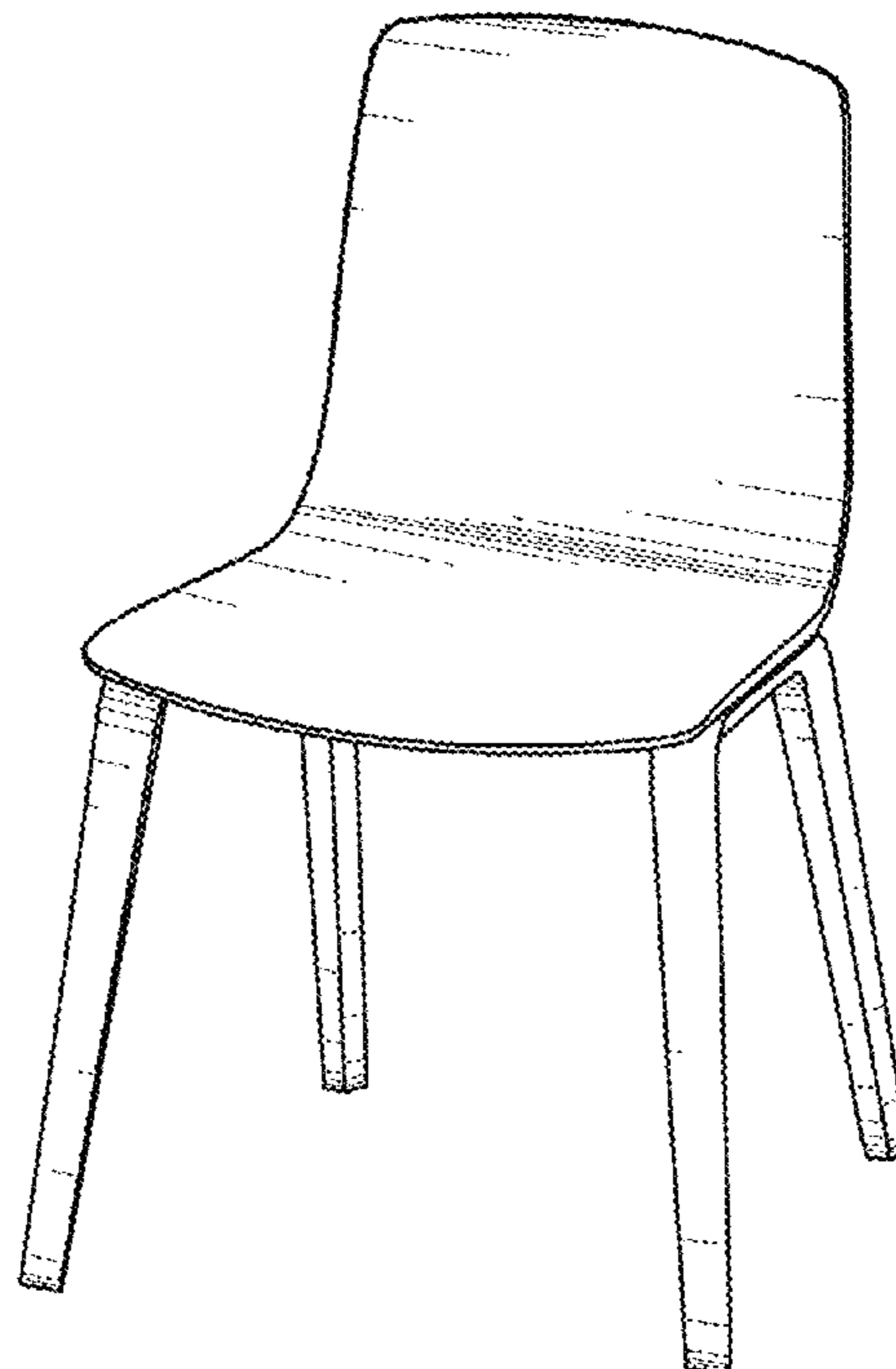
(57) **CLAIM**

The ornamental design for a chair, as shown and described.

**DESCRIPTION**

FIG. 1 is a perspective view of a chair showing my new design;  
FIG. 2 is a left side view thereof;  
FIG. 3 is a right side view thereof;  
FIG. 4 is a front view thereof;  
FIG. 5 is a rear view thereof;  
FIG. 6 is a top plan view thereof; and,  
FIG. 7 is a bottom plan view thereof.

**1 Claim, 7 Drawing Sheets**



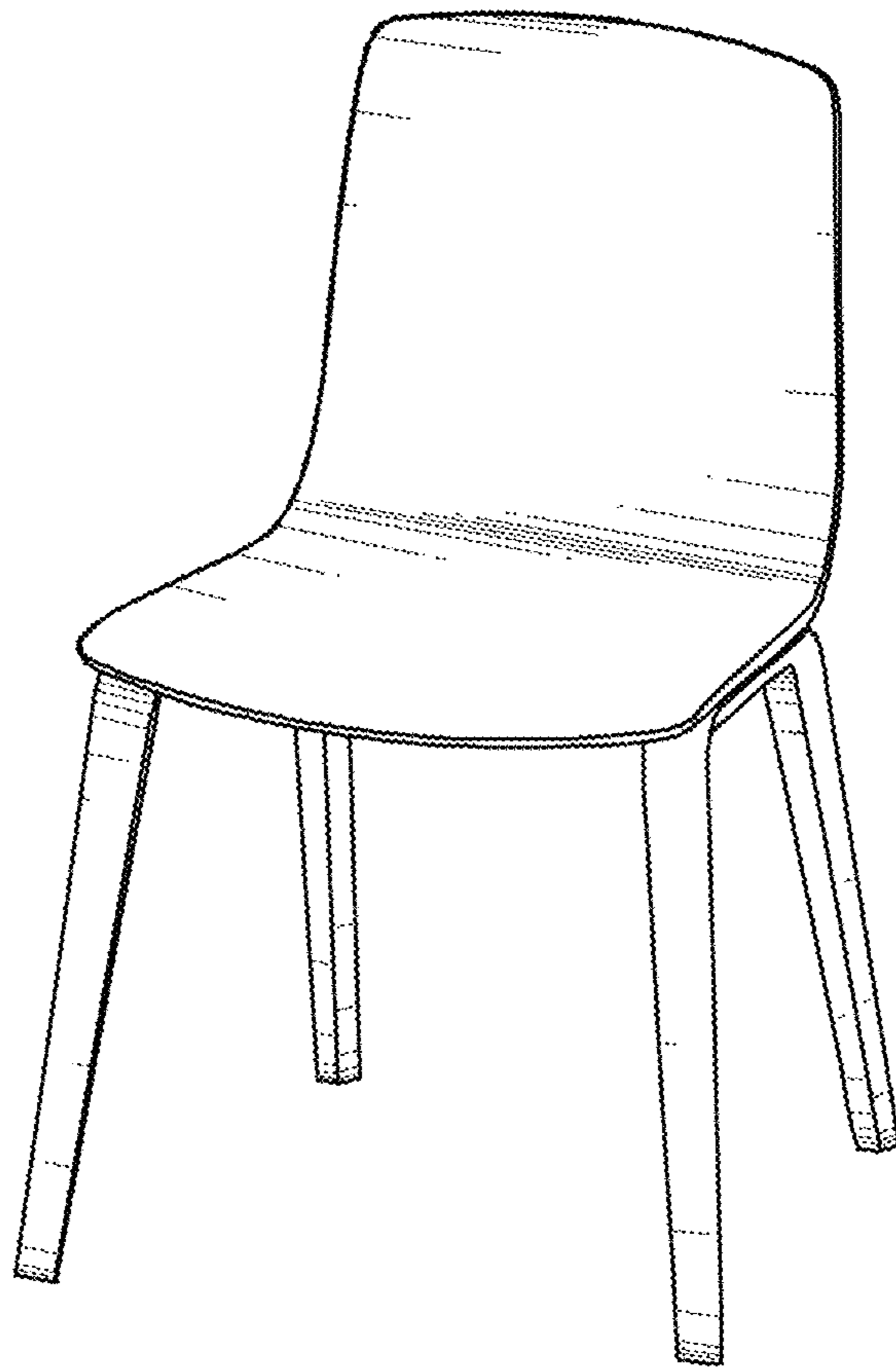


FIG. 1

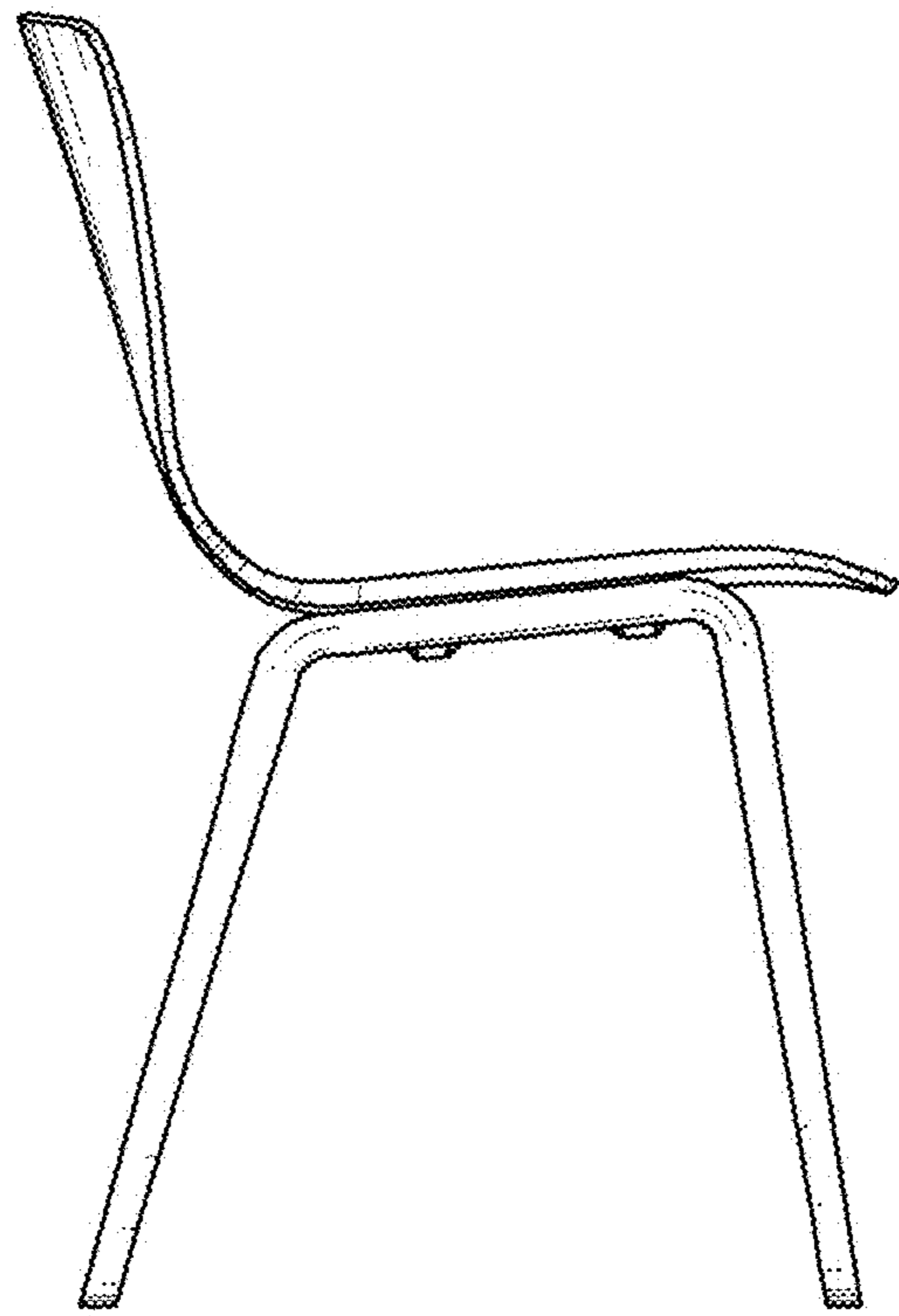


FIG. 2

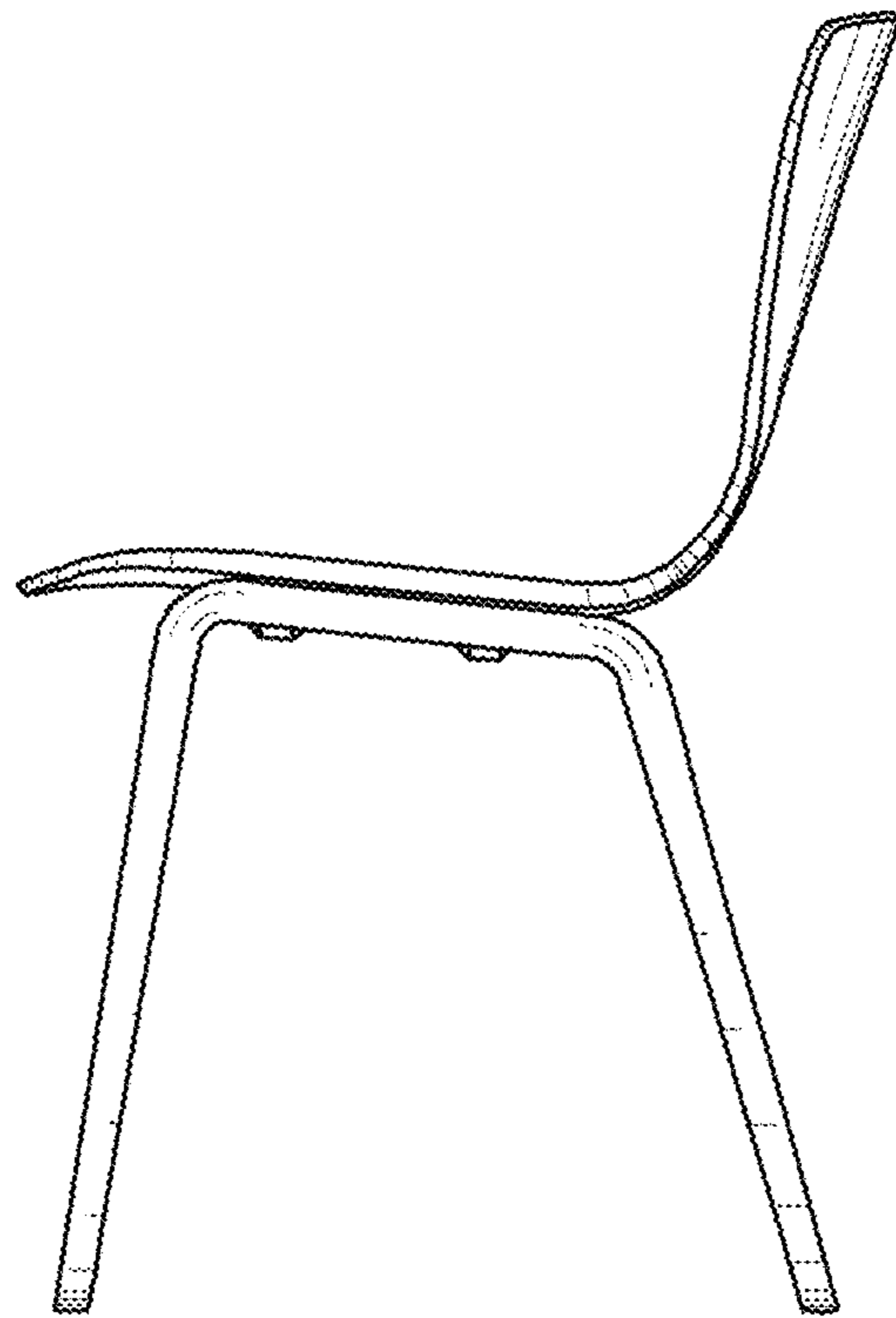


FIG. 3

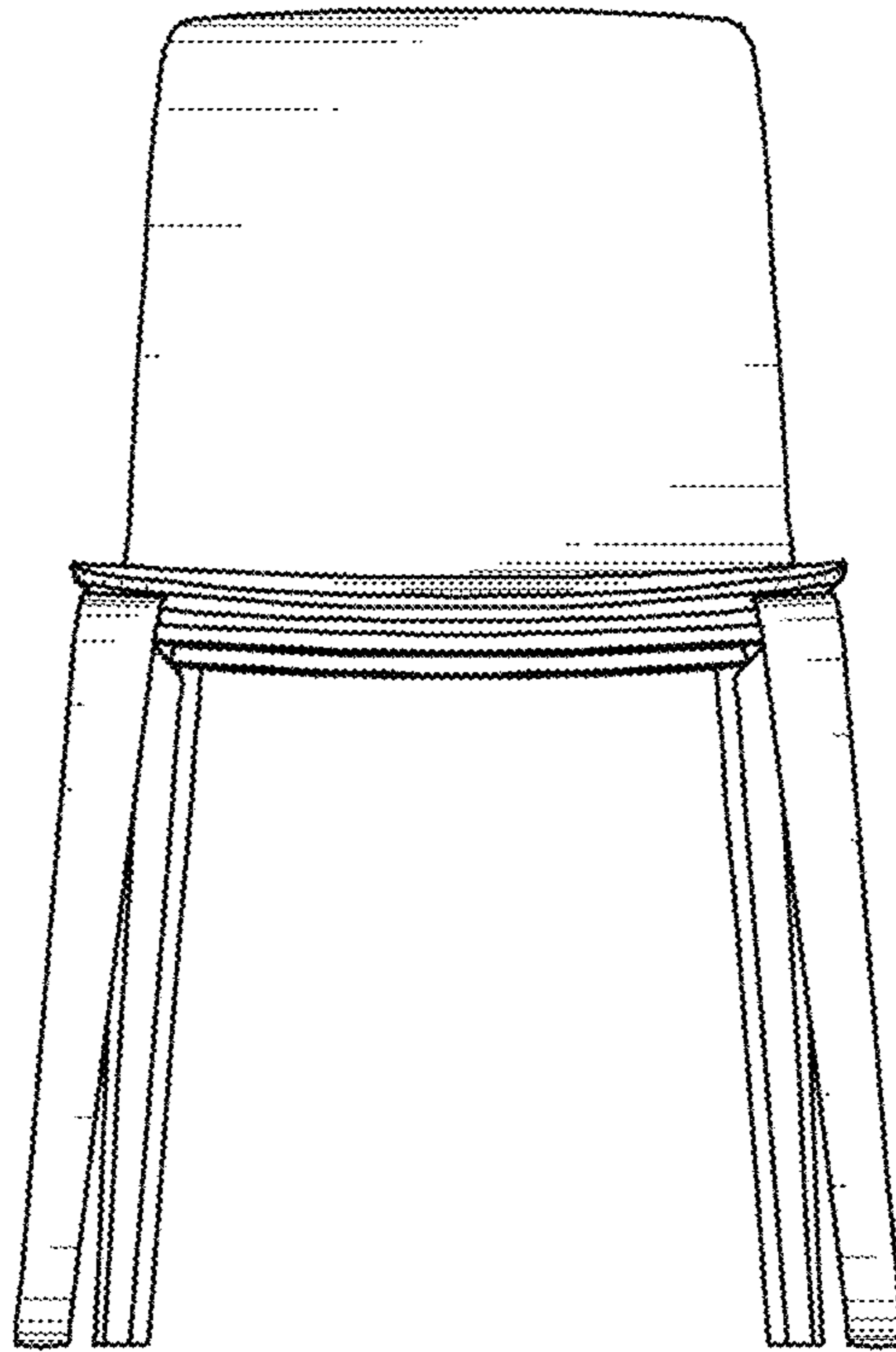


FIG. 4

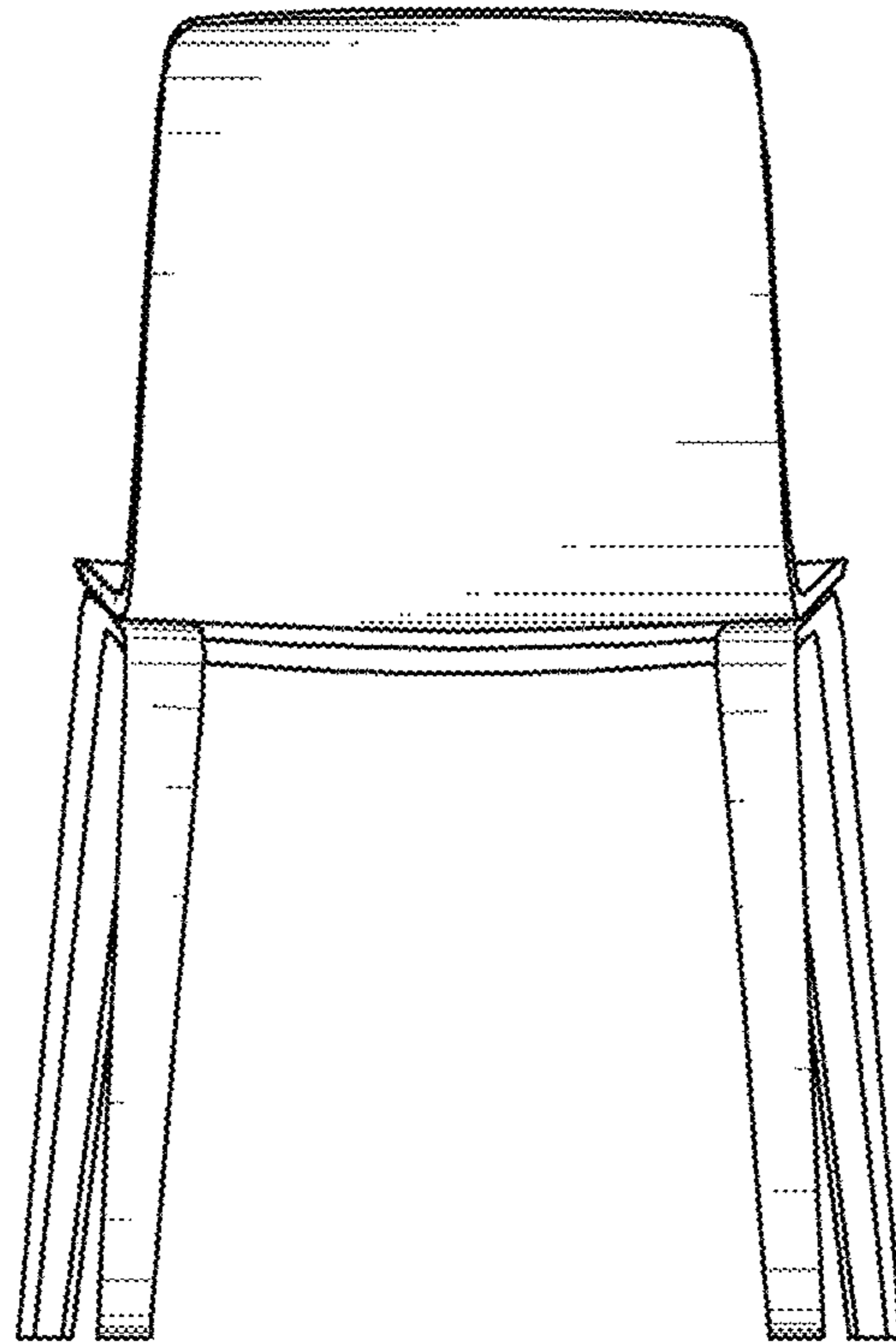


FIG. 5

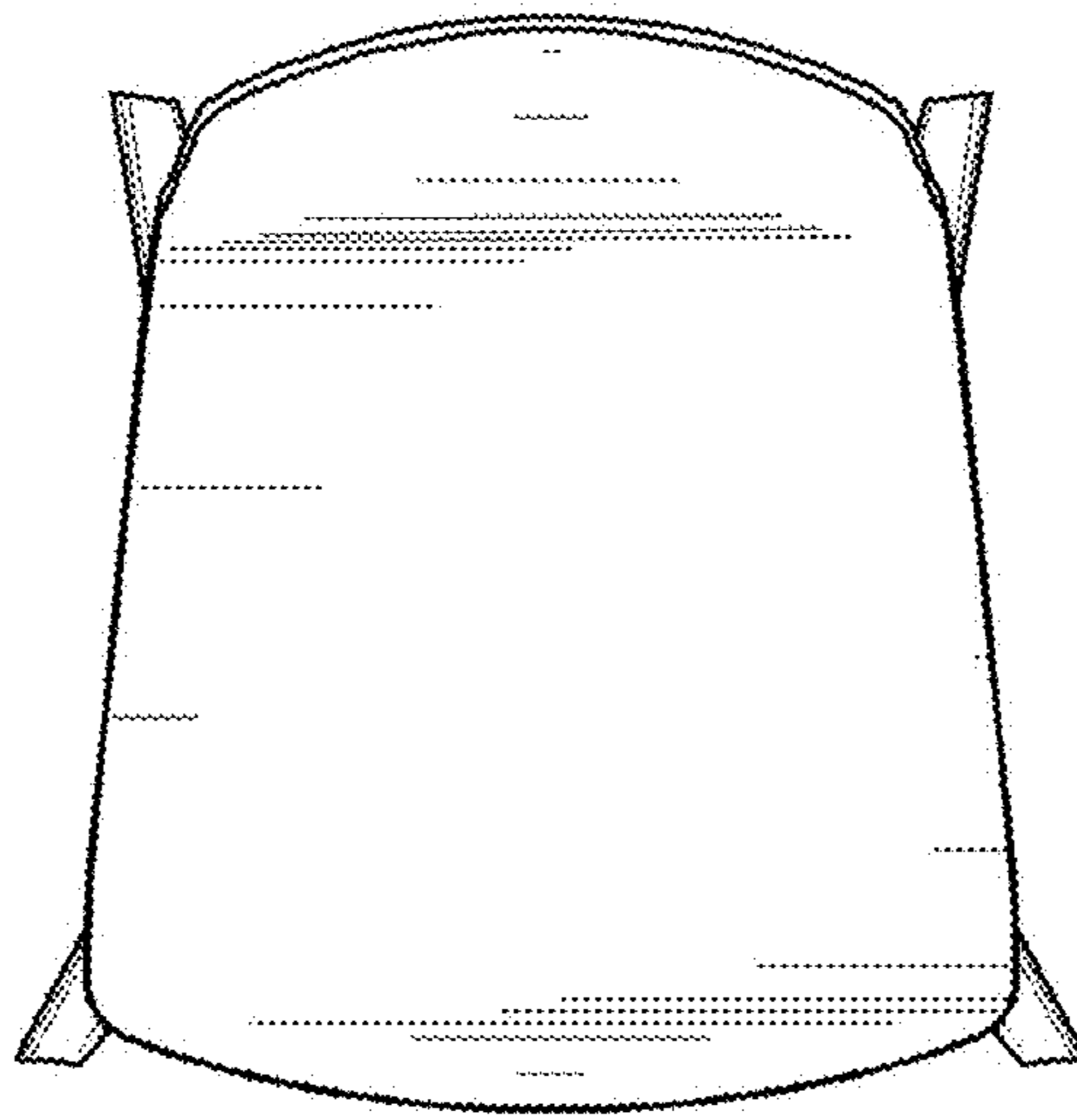


FIG. 6

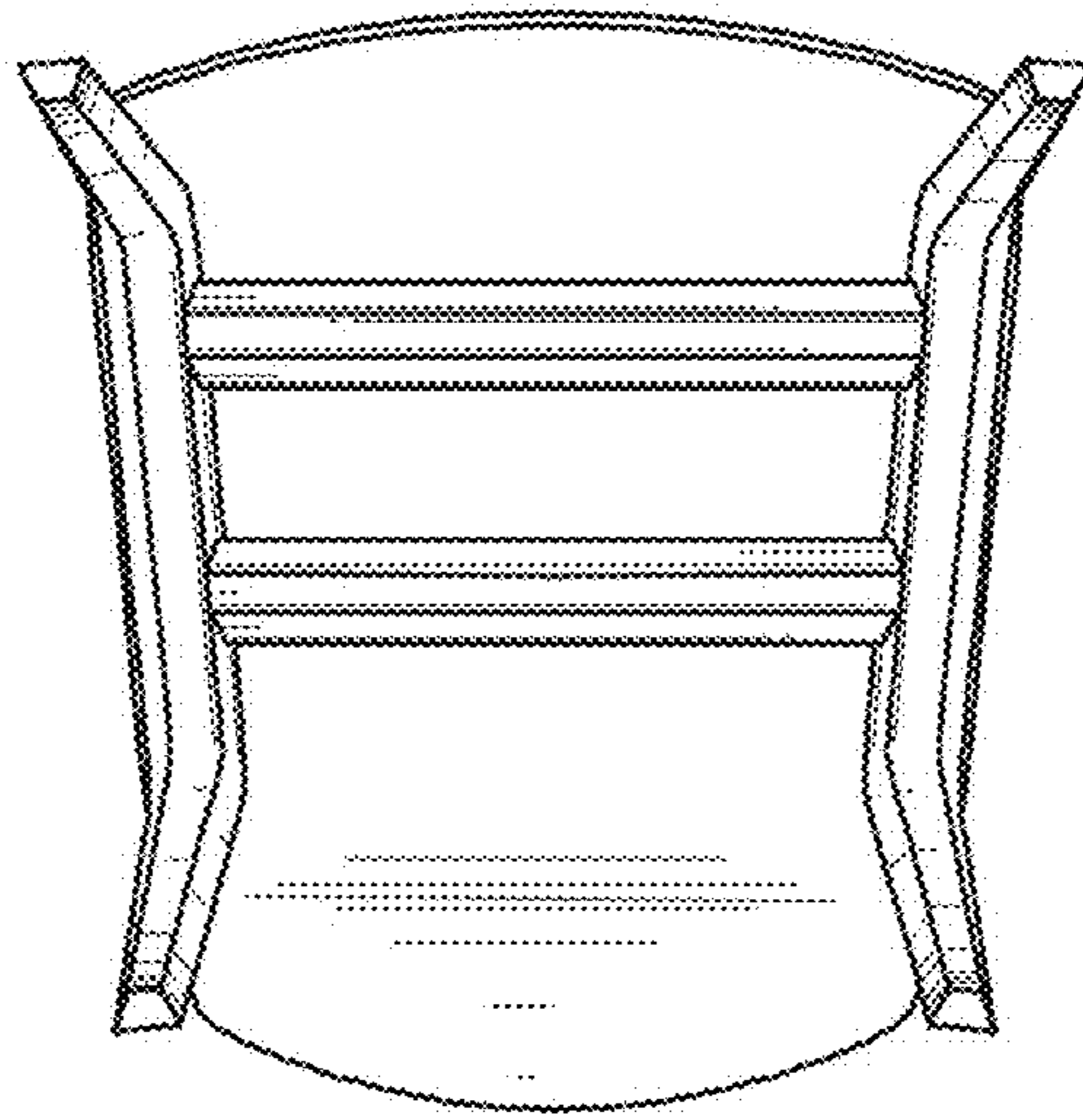


FIG. 7