



US00D729532S

(12) **United States Design Patent**
Lievore et al.

(10) **Patent No.:** **US D729,532 S**
(45) **Date of Patent:** **** May 19, 2015**

(54) **CHAIR**

(71) Applicant: **ARPER S.p.A.**, Monastier di Treviso,
Treviso (IT)
(72) Inventors: **Alberto Lievore**, Treviso (IT);
Jeannette Altherr, Treviso (IT); **Manuel**
Molina, Treviso (IT)
(73) Assignee: **ARPER S.p.A.**, Monastier di Treviso,
Treviso (IT)
(**) Term: **14 Years**

(21) Appl. No.: **29/468,596**

(22) Filed: **Oct. 1, 2013**

(30) **Foreign Application Priority Data**

Apr. 8, 2013 (WO) 730868701

(51) **LOC (10) Cl.** **06-01**

(52) **U.S. Cl.**
USPC **D6/360; D6/373**

(58) **Field of Classification Search**
CPC A47C 3/04; A47C 7/50; A47C 4/03;
A47C 4/02; A47C 5/04; A47C 9/007
USPC D6/334-336, 360, 371, 373, 374, 375,
D6/376, 379, 380, 716, 716.1, 716.4;
297/239, 423.1, 445.1, 446.1, 448.1,
297/448.2, 461

See application file for complete search history.

(56) **References Cited**

U.S. PATENT DOCUMENTS

D193,708 S	*	10/1962	Keown	D6/375
D237,848 S	*	12/1975	Skinroff	D6/373
D258,176 S	*	2/1981	Baker	D6/360
D334,296 S	*	3/1993	Hutton	D6/374
D429,077 S	*	8/2000	Lin	D6/360
D498,937 S	*	11/2004	Messier et al.	D6/375
D515,325 S	*	2/2006	Goldman	D6/375
D553,872 S	*	10/2007	Martin	D6/373
D571,117 S	*	6/2008	Molina et al.	D6/375
D574,161 S	*	8/2008	Sneujink et al.	D6/375
D592,873 S	*	5/2009	Olano Jauregui	D6/373
D690,950 S	*	10/2013	Lievore et al.	D6/375

* cited by examiner

Primary Examiner — Mimosa De

(74) *Attorney, Agent, or Firm* — Merchant & Gould P.C.

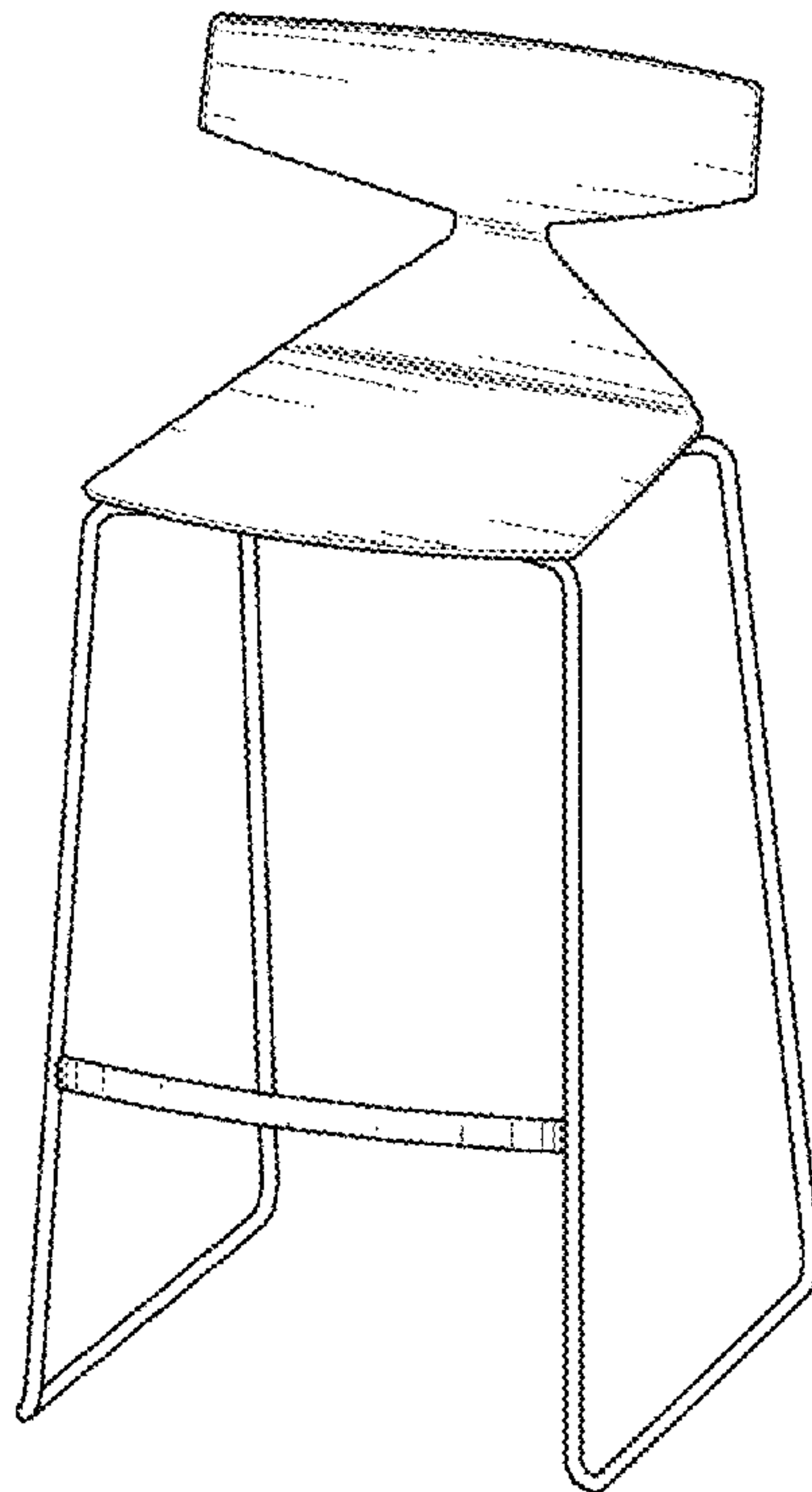
(57) **CLAIM**

The ornamental design for a chair, as shown and described.

DESCRIPTION

FIG. 1 is a perspective view of a chair showing our new design;
FIG. 2 is a left side view thereof;
FIG. 3 is a right side view thereof;
FIG. 4 is a front view thereof;
FIG. 5 is a rear view thereof;
FIG. 6 is a top plan view thereof; and,
FIG. 7 is a bottom plan view thereof.

1 Claim, 7 Drawing Sheets



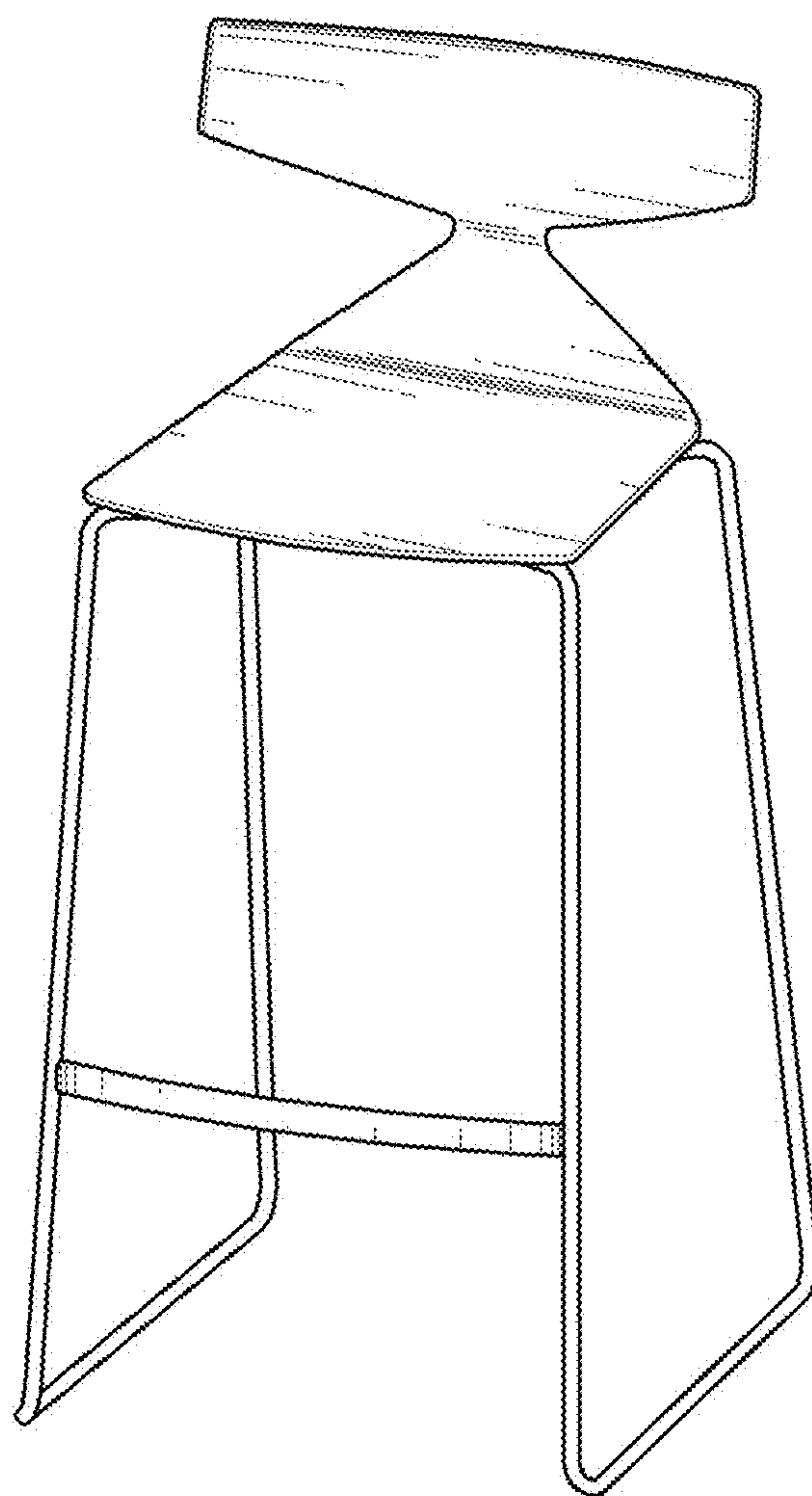


FIG. 1

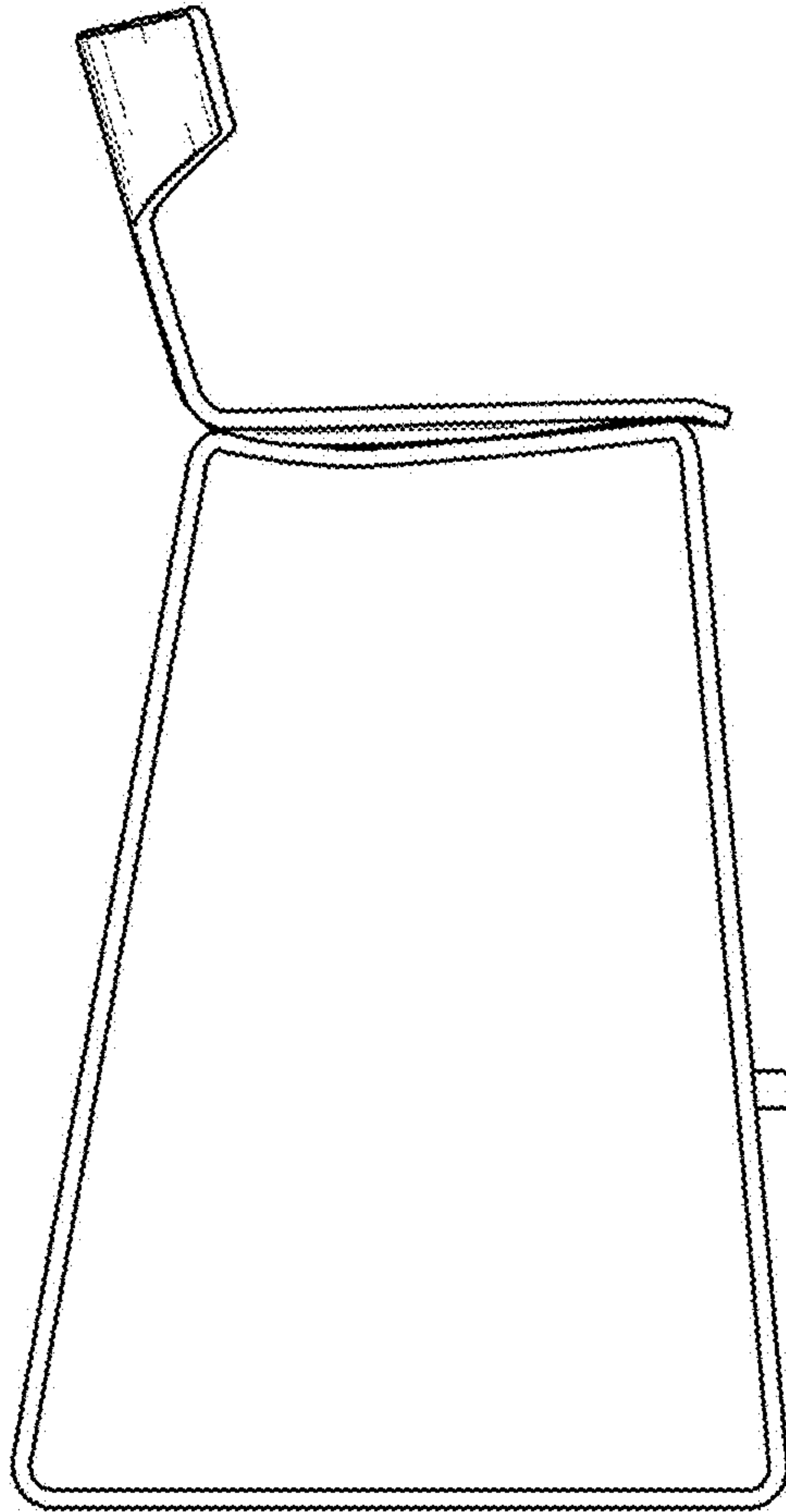


FIG. 2

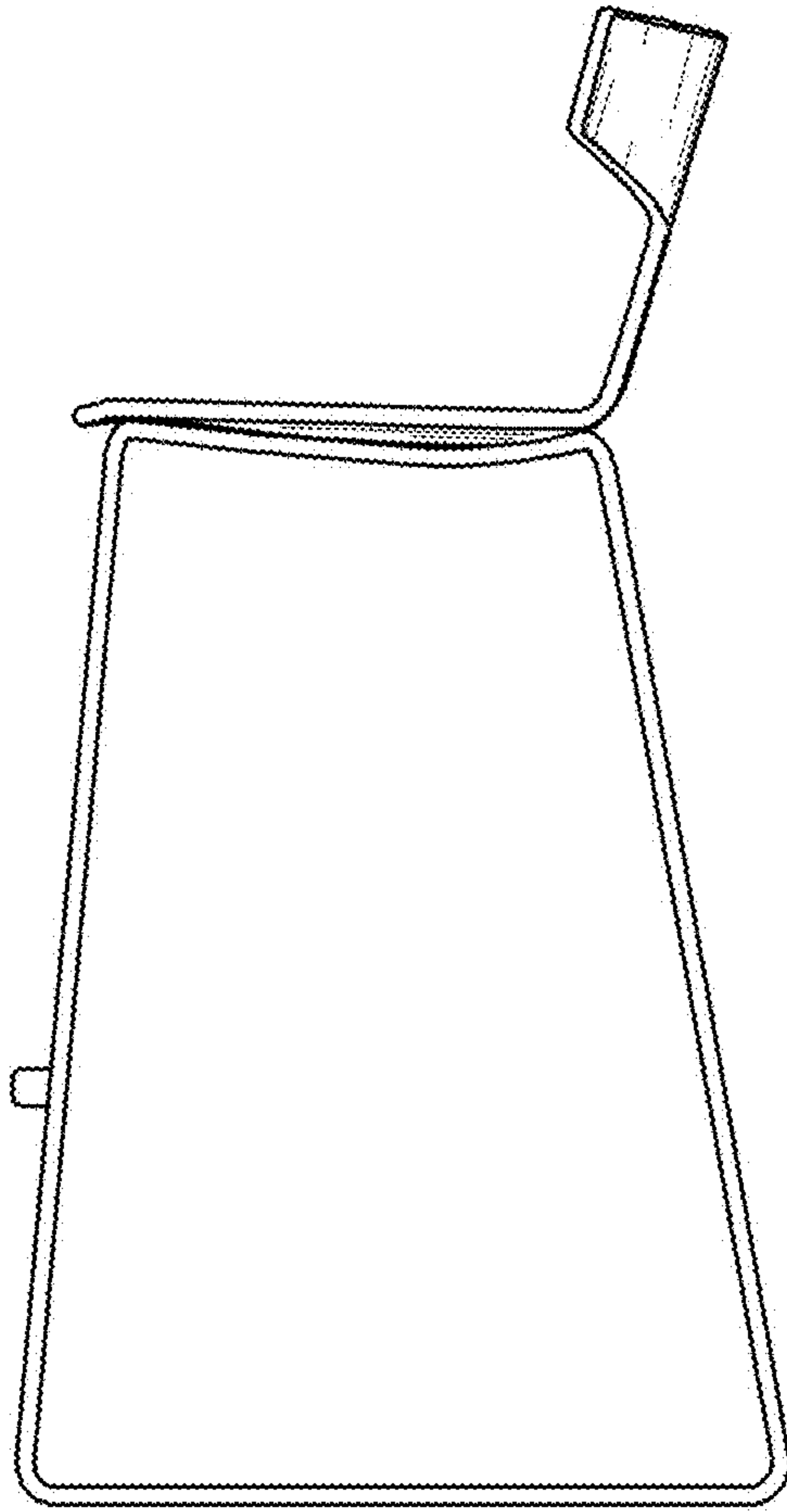


FIG. 3

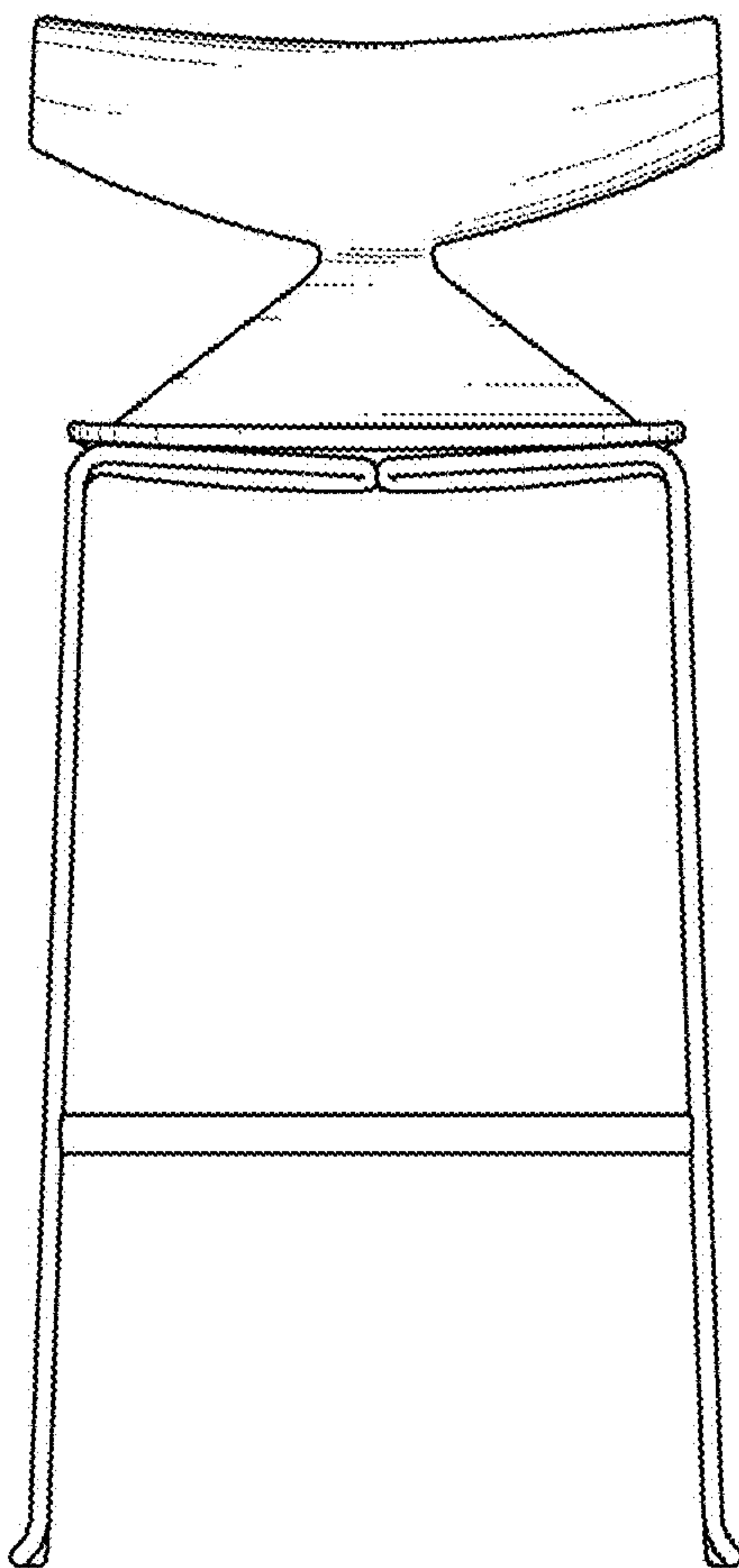


FIG. 4

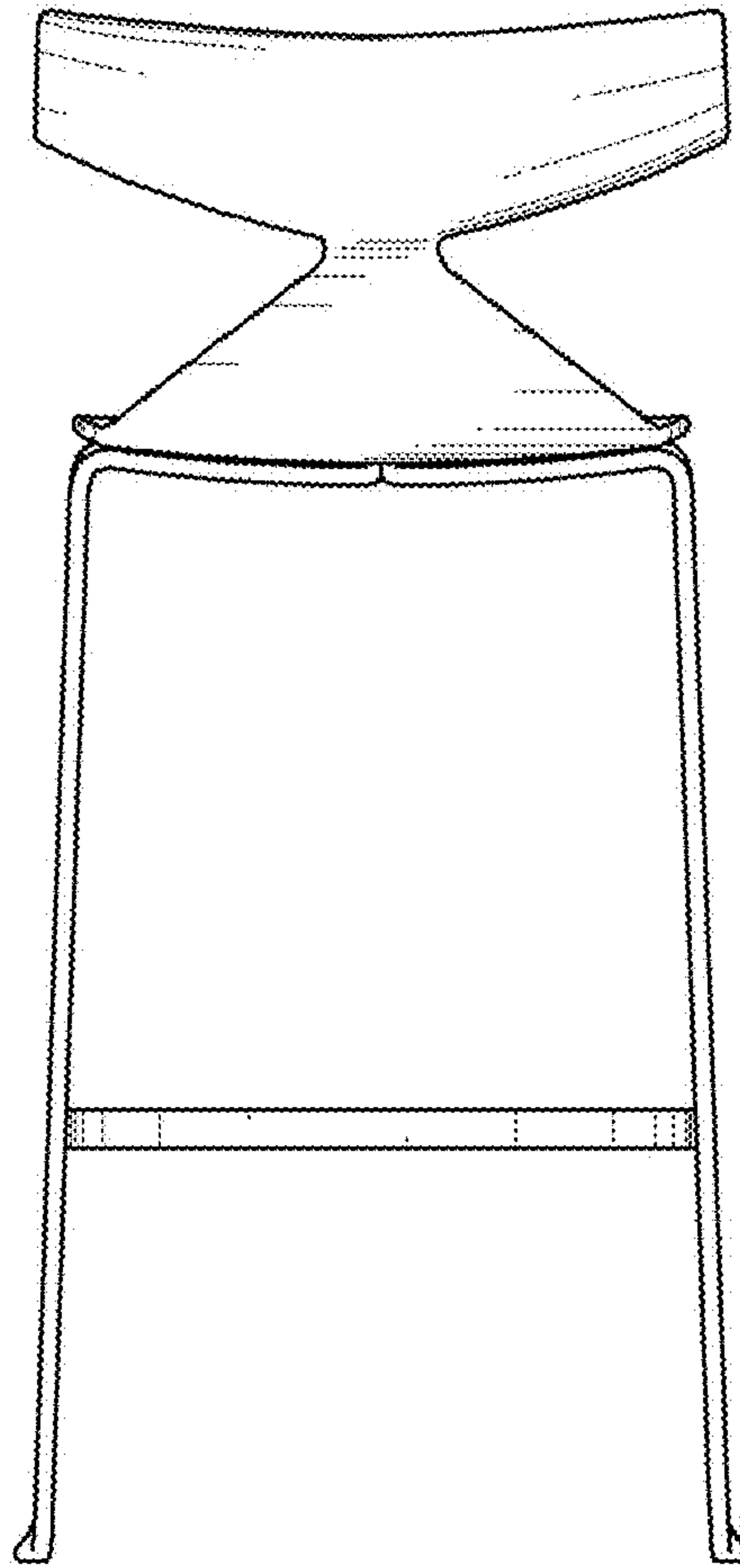


FIG. 5

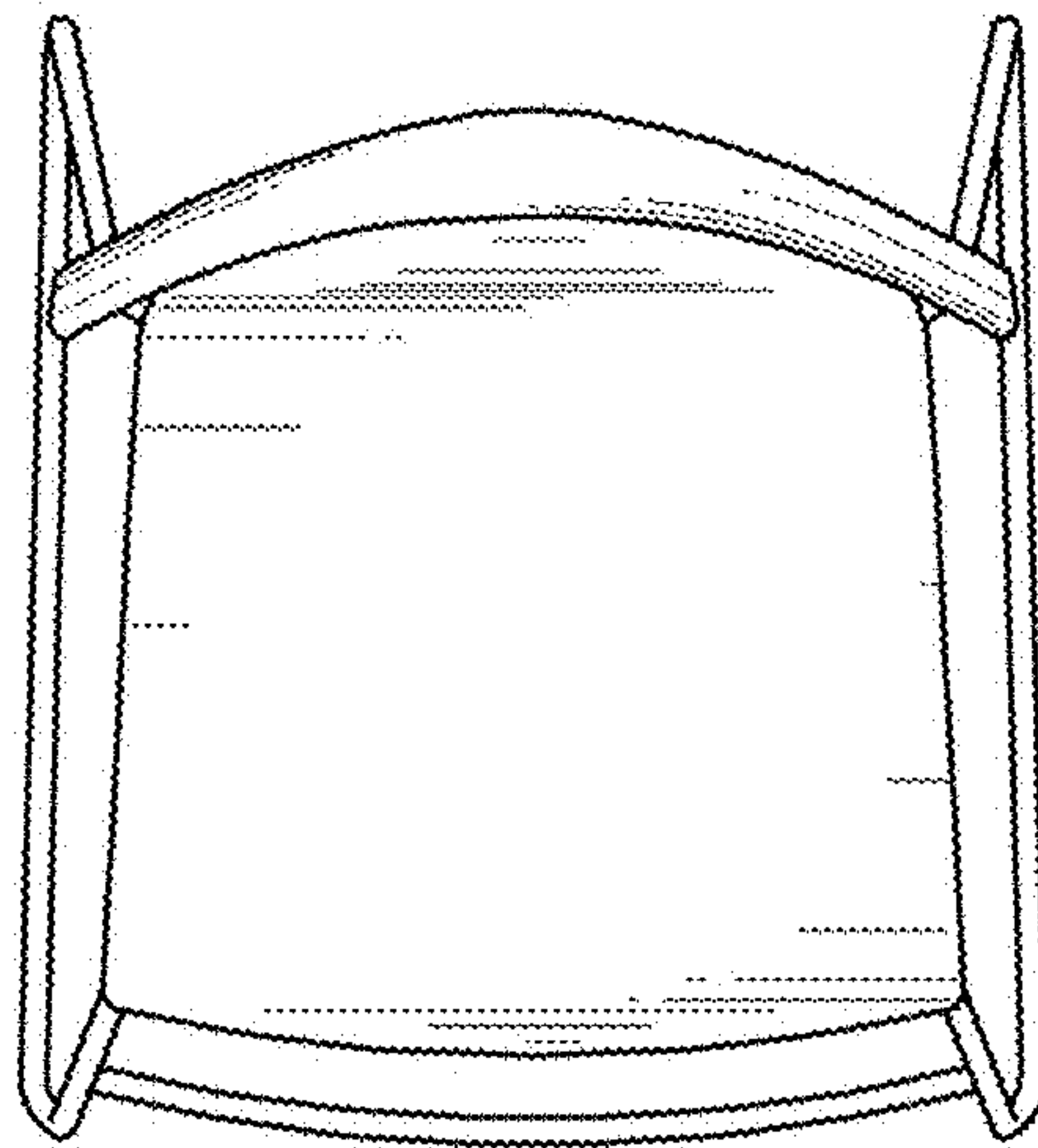


FIG. 6

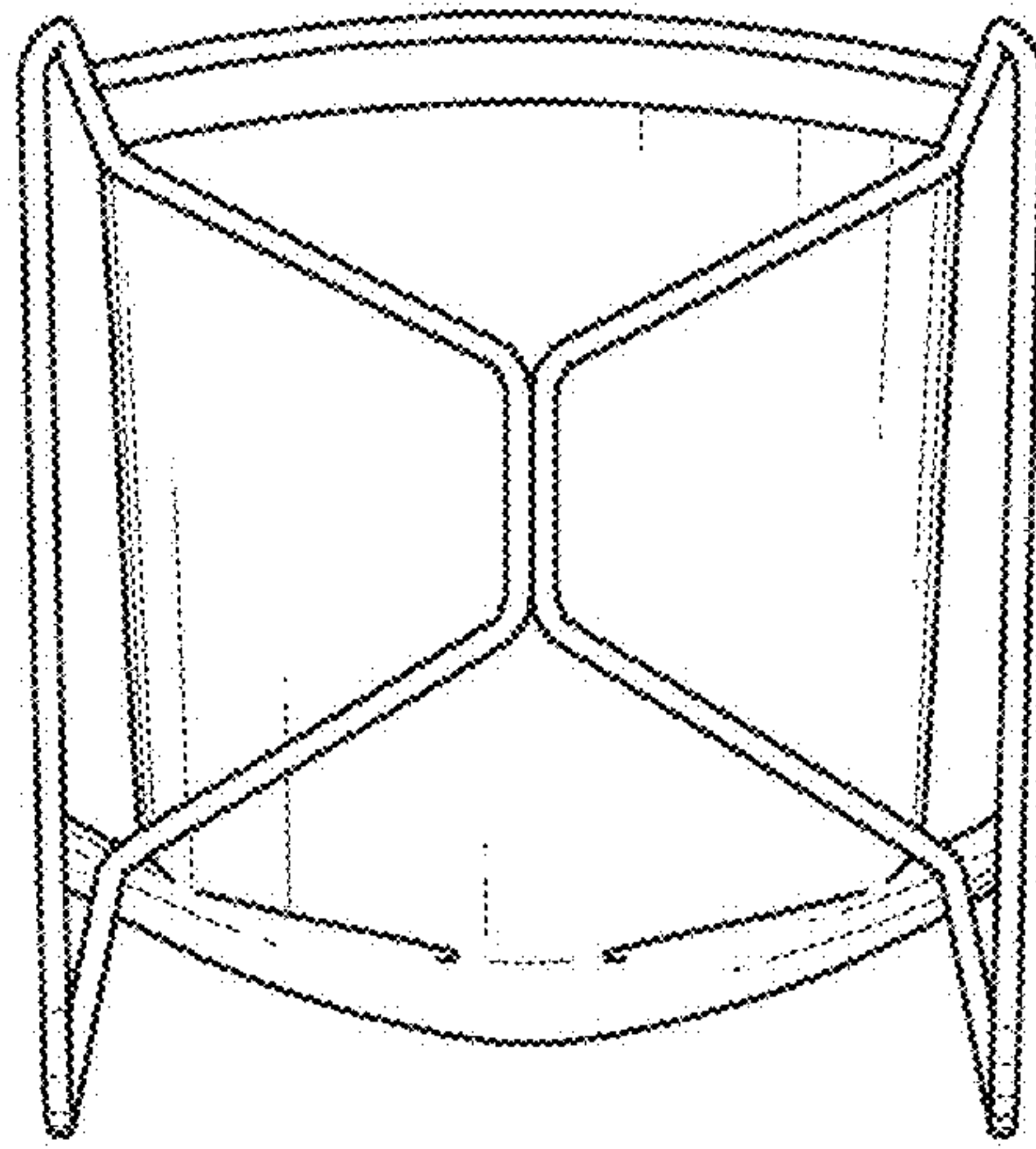


FIG. 7