



US00D729529S

(12) **United States Design Patent**
Robins et al.

(10) **Patent No.:** **US D729,529 S**

(45) **Date of Patent:** **** May 19, 2015**

- (54) **SEATING UNIT WITH BASE**
- (71) Applicants: **Alan Robins**, Merion Station, PA (US);
Lin Hsin Yi Hsin Yi, San Diego, CA (US)
- (72) Inventors: **Alan Robins**, Merion Station, PA (US);
Lin Hsin Yi Hsin Yi, San Diego, CA (US)
- (73) Assignee: **HASKELL OFFICE**, Bala Cynwyd, PA (US)

D194,980 S	4/1963	De La Riva	
D195,725 S	7/1963	Chapman et al.	
D198,628 S	7/1964	Chapman et al.	
D224,766 S *	9/1972	Rowland	D6/371
3,700,282 A *	10/1972	Rowland	297/440.23
D230,669 S	3/1974	Hendrickson et al.	
D237,662 S	11/1975	Subert	
D261,702 S *	11/1981	Whalen	D6/334
D279,581 S *	7/1985	Juliana et al.	D18/56
D298,674 S	11/1988	Koller, Sr.	
D315,998 S	4/1991	Edwards	
D319,159 S	8/1991	Silbersky et al.	
D326,577 S	6/1992	Edwards	
D193,847 S	10/1992	Mason	

(Continued)

(**) Term: **14 Years**

(21) Appl. No.: **29/486,752**

(22) Filed: **Apr. 2, 2014**

(51) **LOC (10) Cl.** **06-01**

(52) **U.S. Cl.**
USPC **D6/338**

(58) **Field of Classification Search**
USPC D6/334-338, 349, 355, 361, 368-370,
D6/376, 379-381, 716, 716.1, 716.2, 340,
D6/354, 377; 297/16.1, 42, 94, 135, 175,
297/232, 233, 350, 351, 445.1, 448.1,
297/448.2, 451.9; 5/12.1, 12.2
See application file for complete search history.

(56) **References Cited**

U.S. PATENT DOCUMENTS

2,343,077 A	2/1944	Parrish
D177,231 S	3/1956	Hail et al.
D181,703 S	12/1957	Bargen et al.
2,818,107 A	12/1957	Thaden
D181,945 S	1/1958	Saارين
D181,975 S	1/1958	Hail et al.
D182,790 S	5/1958	Cohen
D183,416 S	8/1958	Bellmann
2,845,699 A	8/1958	Woodard
2,989,112 A	6/1961	Sonnleitner
D192,029 S	1/1962	Avedon et al.

Primary Examiner — Sandra Snapp

(74) *Attorney, Agent, or Firm* — Law Offices of Robert F. Zielinski, LLC

(57) **CLAIM**

The ornamental design for a seating unit with base, as shown and described.

DESCRIPTION

FIG. 1 is top, side, right perspective view of the seating unit with base embodying our new design.

FIG. 2 is a front view of the seating unit with base thereof.

FIG. 3 is a rear view of the seating unit with base thereof.

FIG. 4 is a right side view of the seating unit with base thereof.

FIG. 5 is a left side view of the seating unit with base thereof.

FIG. 6 is a top plan view of the bottom side of the seating unit with base thereof.

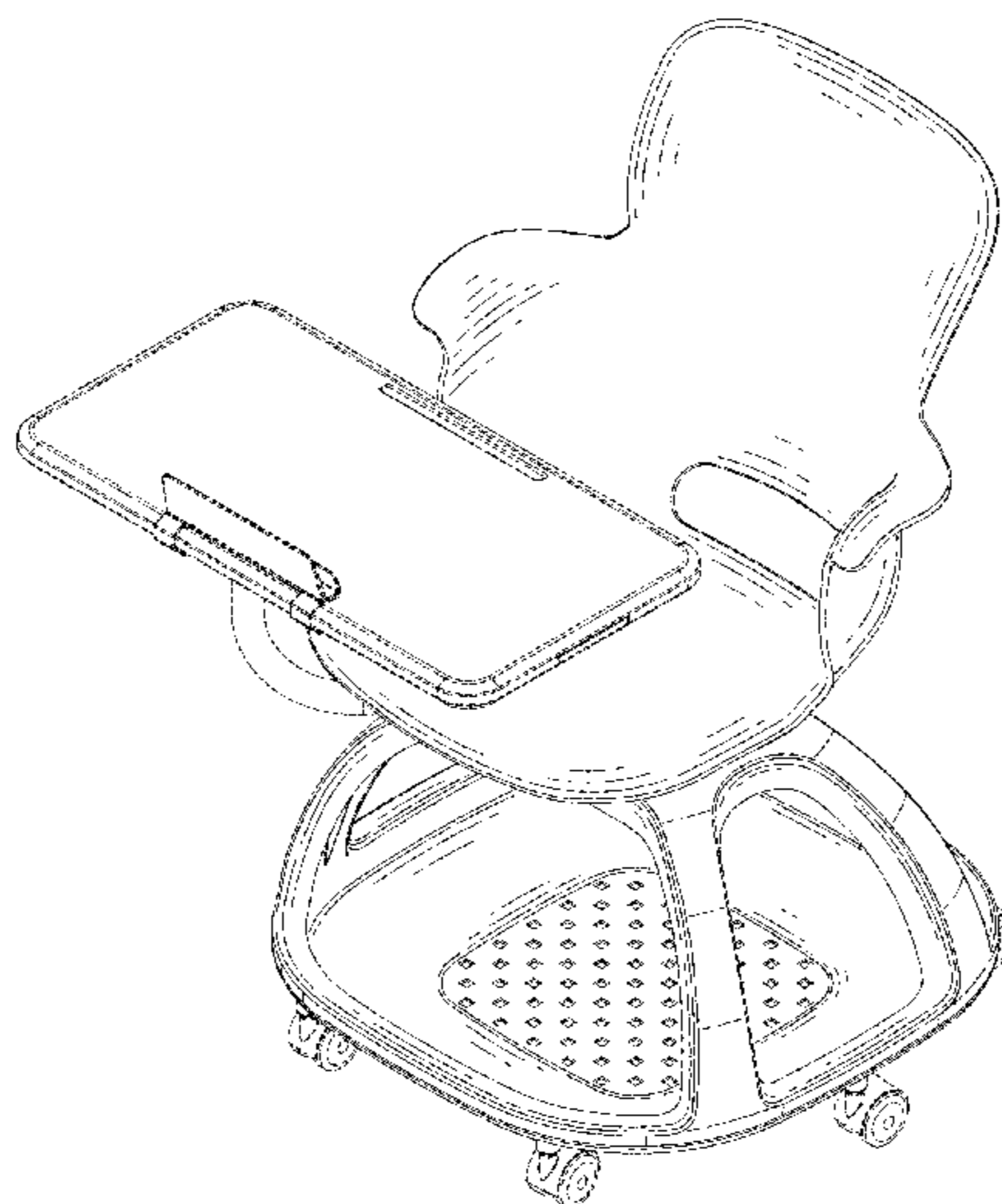
FIG. 7 is a bottom view of the bottom side of the seating unit with base thereof; and,

FIG. 8 is an exploded top, side right perspective assembly view of the seating unit with base thereof.

The broken line representations in the figures show unclaimed environment, and thus form no part of the claimed design.

The nature of this product is a seating unit with base for supporting a human in a seated position.

1 Claim, 8 Drawing Sheets



(56)

References Cited

U.S. PATENT DOCUMENTS

D332,703 S	1/1993	Gulliver	
D353,058 S	12/1994	Dallas	
D358,514 S	5/1995	Lovegrove	
D383,927 S	9/1997	Vassallo	
D398,452 S	9/1998	Reddig	
D410,128 S	5/1999	Dallas	
D427,812 S	7/2000	Donnelly	
D428,713 S	8/2000	Arko et al.	
D443,991 S	6/2001	Picotti	
D447,651 S	9/2001	Ooyama et al.	
D456,186 S	4/2002	Liu	
D456,647 S	5/2002	Whiteside et al.	
D457,019 S	5/2002	Liu	
D460,871 S	7/2002	Opsvik	
D461,325 S	8/2002	Opsvik	
D477,921 S	8/2003	Bosman et al.	
D477,925 S	8/2003	Lucci	
D481,889 S	11/2003	Ciabatti	
D495,536 S	9/2004	Lucht	
D497,261 S	10/2004	Epp et al.	
D513,892 S	1/2006	Glass et al.	
D157,336 S	3/2006	Nils-Erik Engelstad	
D517,336 S	3/2006	Engelstad	
D524,069 S	7/2006	Lim	
D531,419 S	11/2006	Whiteside	
D531,423 S	11/2006	Whiteside	
D535,838 S	1/2007	Ritch et al.	
D554,382 S	11/2007	Nobles et al.	
D555,380 S	* 11/2007	Farber et al.	D6/375
D560,918 S	2/2008	Fuksas	
D562,019 S	2/2008	Lievore	
D566,412 S	4/2008	Van Severen	
D566,978 S	4/2008	Gonzalez	
D569,115 S	5/2008	McCoy et al.	
D570,125 S	6/2008	Gonzalez	
D572,029 S	7/2008	Bouroullec	
D572,914 S	7/2008	Overthun	
D573,323 S	7/2008	Vargas	
D573,363 S	7/2008	Pillet	
D573,806 S	7/2008	Pillet	
D578,786 S	10/2008	Cantarutti	
D579,224 S	10/2008	Fancelli	
D579,677 S	11/2008	Zhou et al.	
D581,688 S	12/2008	Miller et al.	
D584,521 S	1/2009	Massaud	
D584,901 S	1/2009	Massaud	
D585,206 S	1/2009	Mourgue	
D585,207 S	1/2009	Bauchet	
D585,656 S	2/2009	Massaud	
D585,657 S	2/2009	Massaud	
D586,135 S	2/2009	Lievore	
D587,916 S	3/2009	Bouroullec	
D588,371 S	3/2009	Picco	
D591,537 S	5/2009	Zhang	
D592,870 S	5/2009	Jauregui	
D592,876 S	5/2009	Smith et al.	
D596,871 S	7/2009	Farber	
D600,035 S	9/2009	Jauregui	
D600,052 S	9/2009	Smith et al.	
D600,458 S	9/2009	Starck	
D600,464 S	9/2009	Jauregui	
D607,225 S	1/2010	Bauchet	
D609,037 S	2/2010	Miller et al.	
D611,261 S	3/2010	Igarashi	
D612,640 S	3/2010	Noiseux	
D614,415 S	4/2010	Konno	
D618,922 S	7/2010	Fuchs	
D625,931 S	10/2010	Estrup	
D636,612 S	4/2011	Overthun et al.	
D636,613 S	4/2011	Overthun et al.	
D640,878 S	7/2011	Huang et al.	
D646,085 S	10/2011	Overthun et al.	
D646,497 S	10/2011	Overthun et al.	
D647,316 S	10/2011	Kim	
D648,560 S	11/2011	Sandona	
D649,802 S	12/2011	Breinholt	
D650,185 S	12/2011	Hsu	
D652,657 S	1/2012	Behar et al.	
D654,712 S	2/2012	Wilson et al.	
D655,099 S	3/2012	Werner	
D656,755 S	4/2012	Wanders	
D657,152 S	4/2012	Lievore et al.	
D657,582 S	4/2012	Wilson et al.	
D657,583 S	4/2012	Wilson et al.	
D660,054 S	5/2012	Kane	
D660,055 S	5/2012	Kane	
D660,540 S	5/2012	Thompson et al.	
D661,914 S	6/2012	Paulin	
D667,243 S	* 9/2012	Su	D6/500
D671,762 S	12/2012	Azambourg	
D677,476 S	* 3/2013	Crawford	D6/334
D679,517 S	4/2013	Corcorran et al.	
D679,523 S	4/2013	Corcorran et al.	
D679,524 S	4/2013	Corcorran et al.	
D679,525 S	* 4/2013	Corcorran et al.	D6/716
D679,923 S	4/2013	Corcorran et al.	
D689,723 S	9/2013	Corcorran et al.	
D690,143 S	9/2013	Corcorran et al.	
D690,974 S	* 10/2013	Pollack	D6/716
8,696,056 B2	* 4/2014	Corcorran et al.	297/170
D709,296 S	* 7/2014	Starck	D6/375
D709,297 S	* 7/2014	Starck	D6/375

* cited by examiner

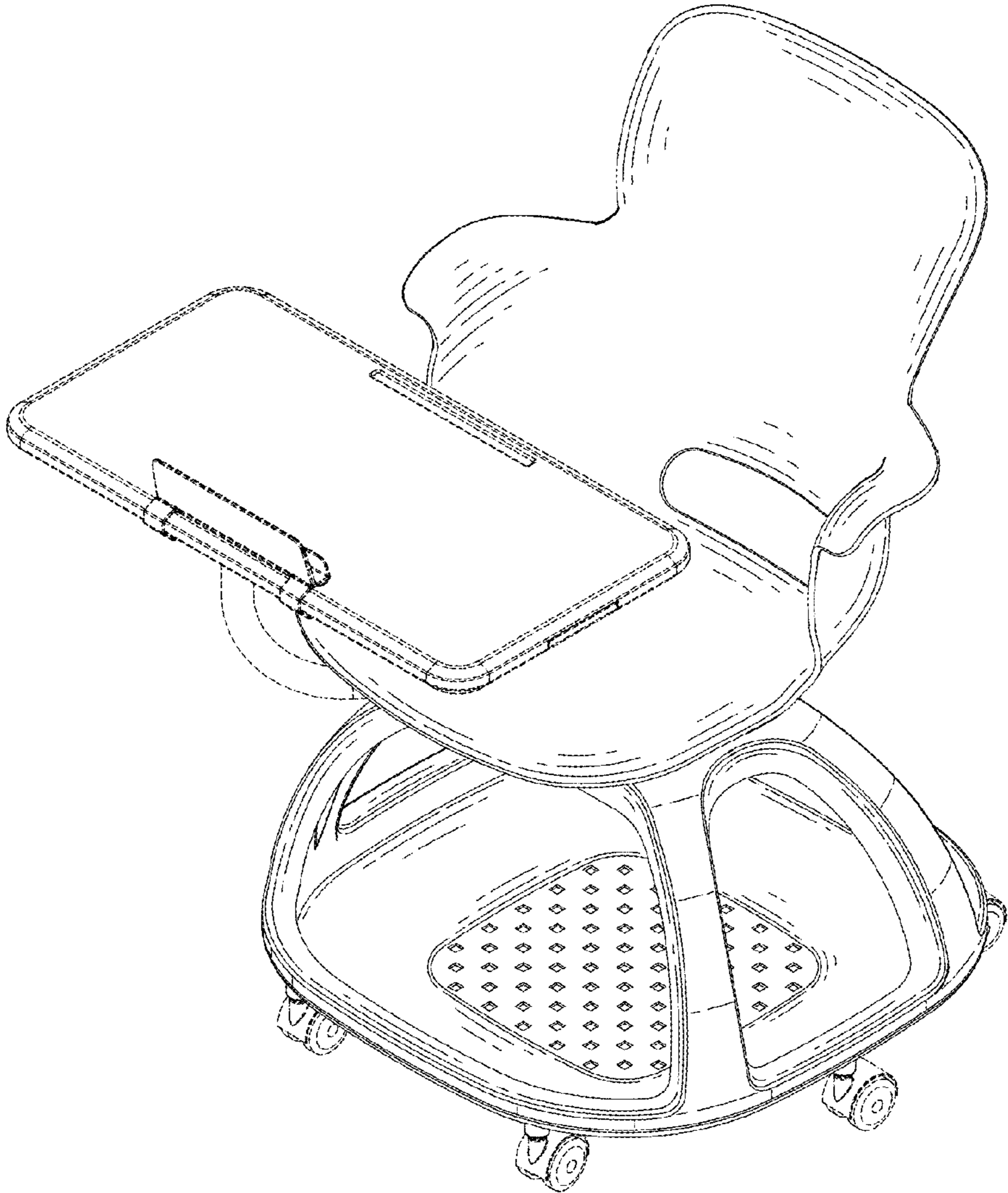


FIG. 1

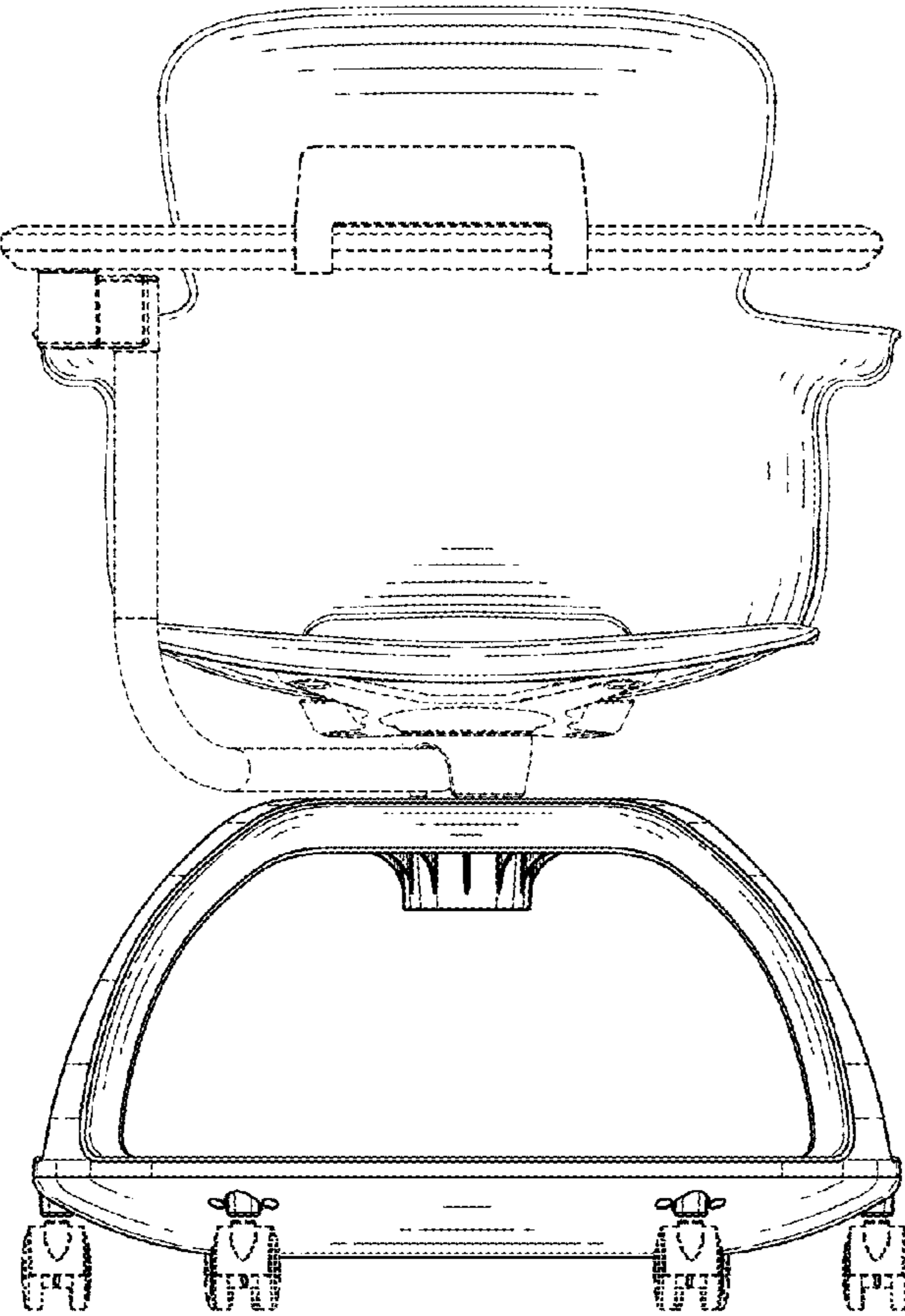


FIG. 2

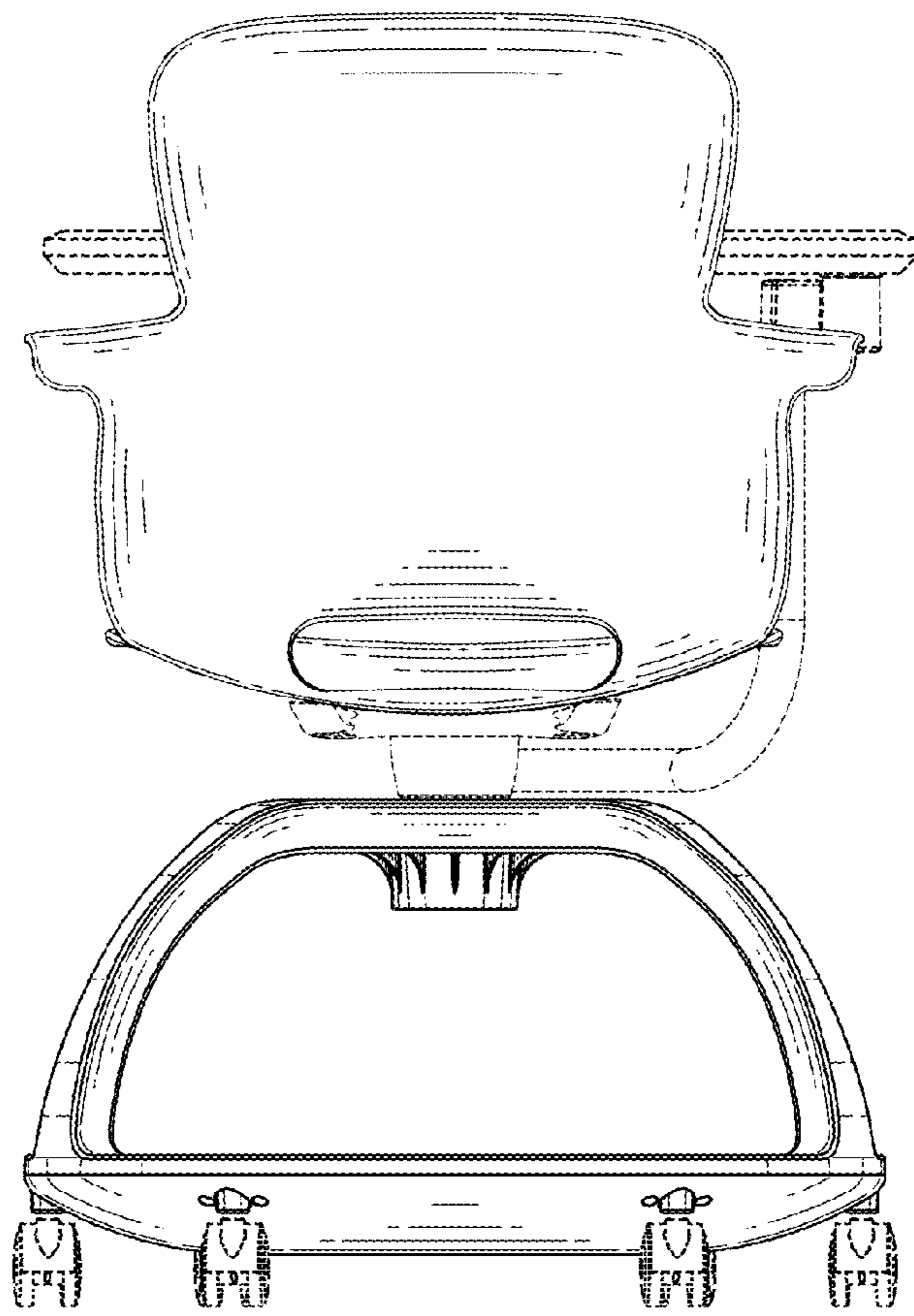


FIG. 3

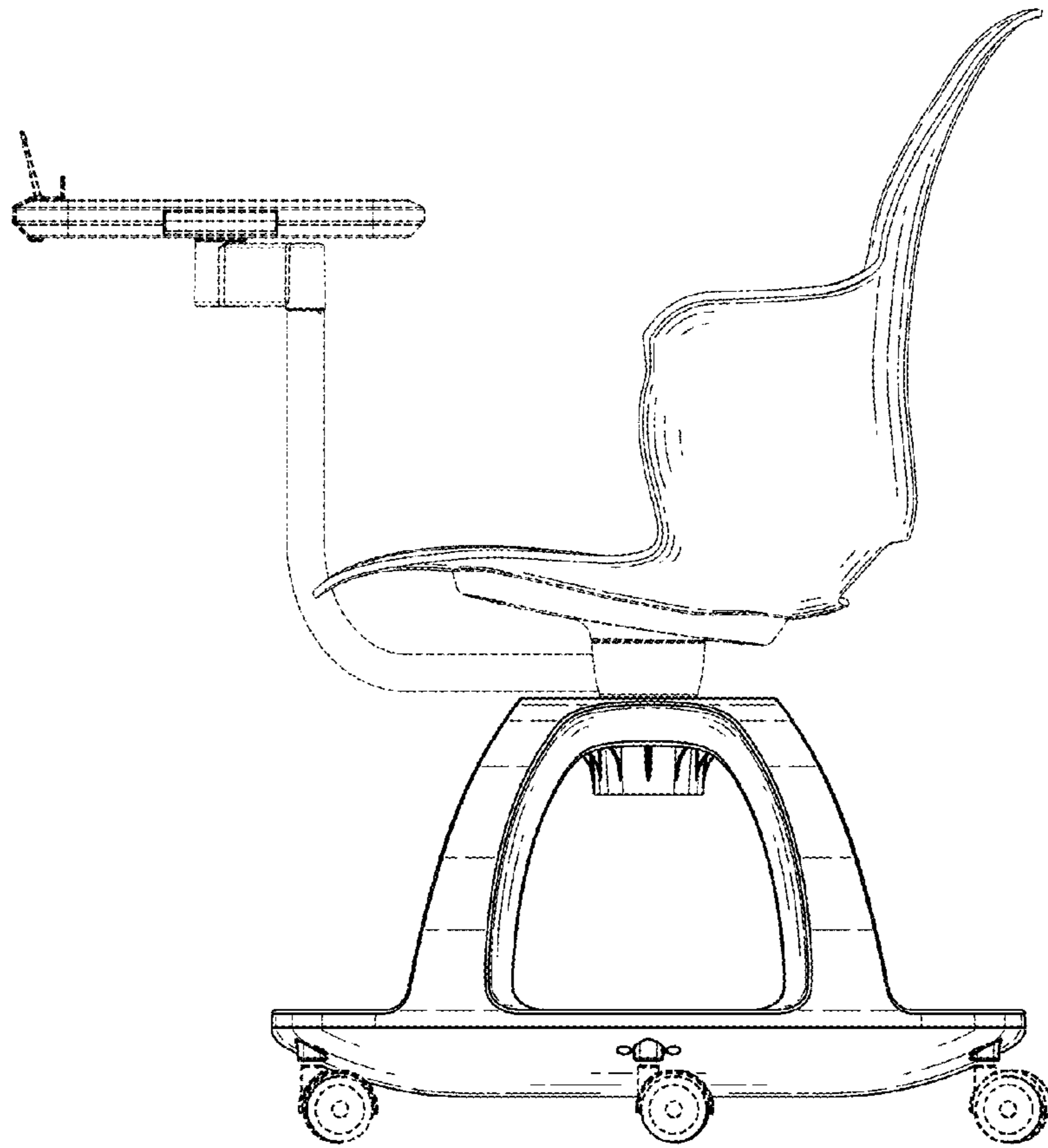


FIG. 4

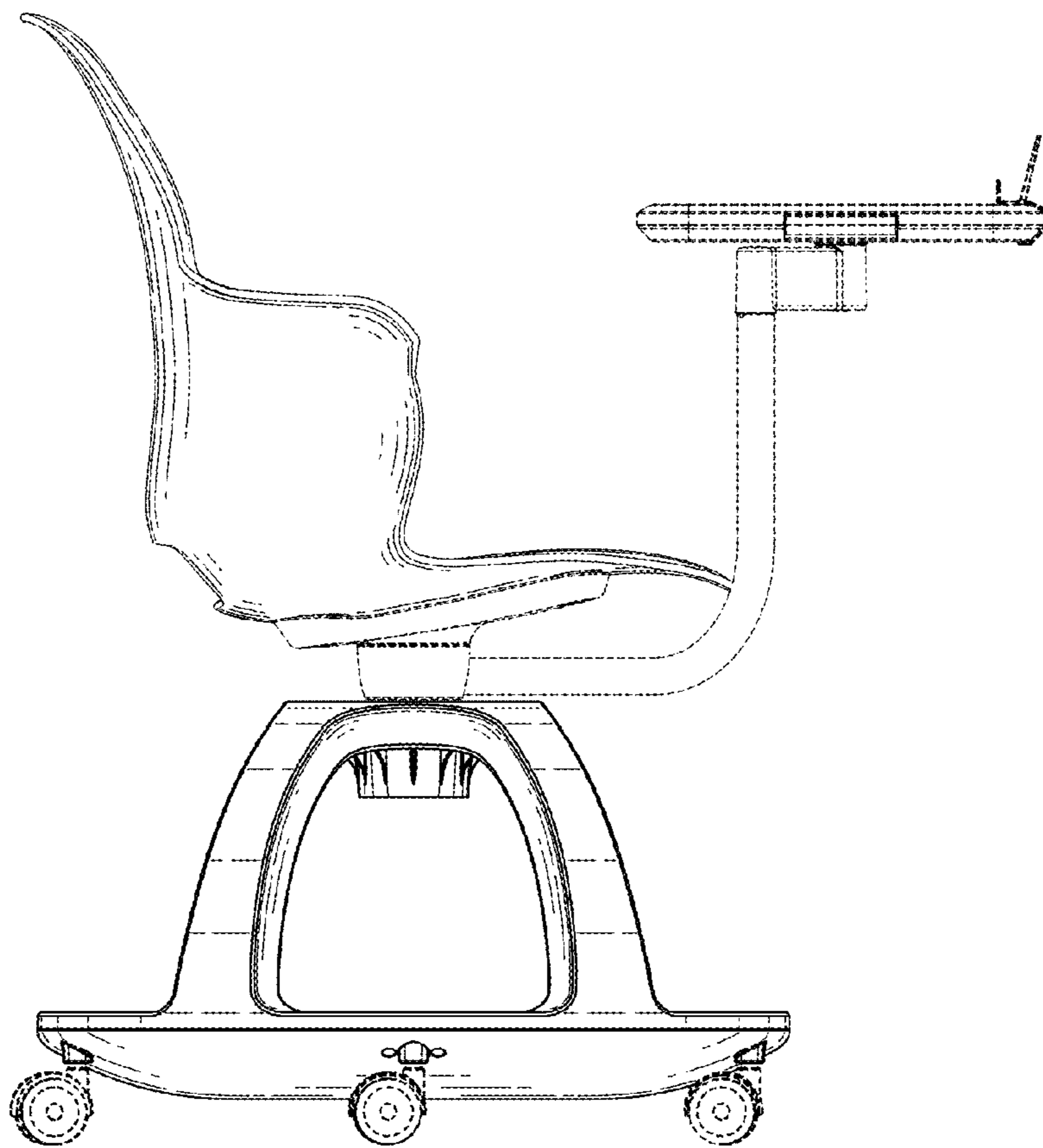


FIG. 5

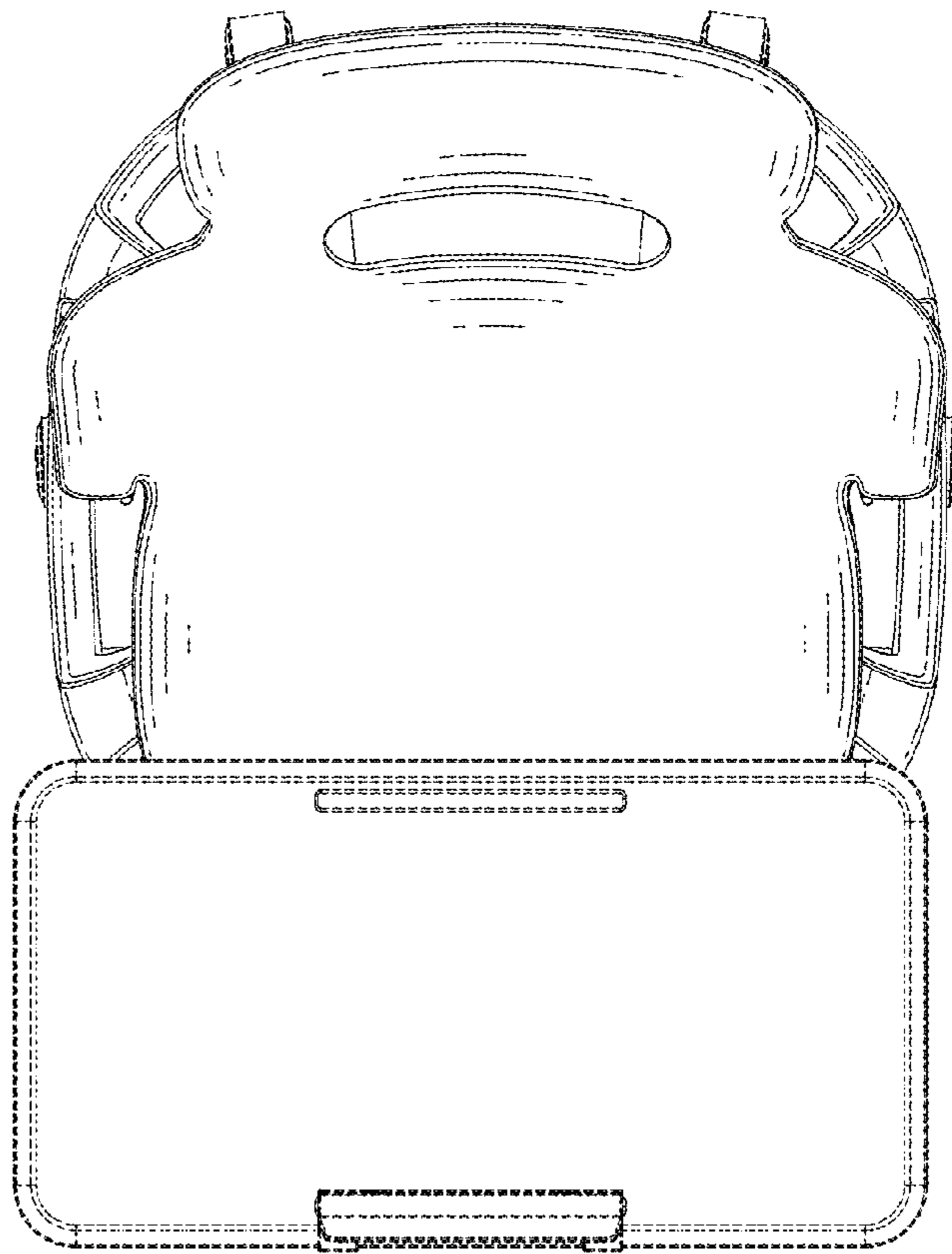


FIG. 6

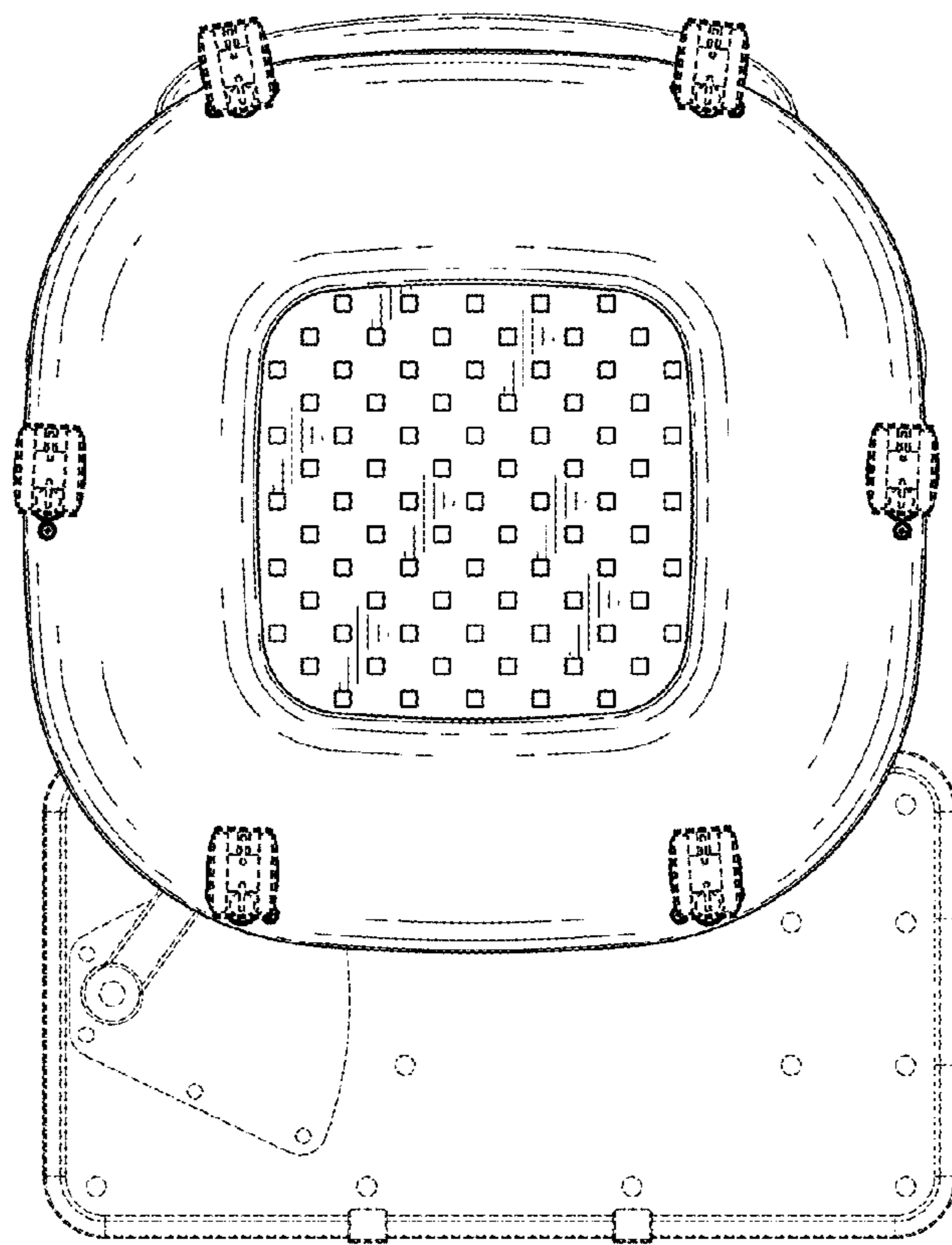


FIG. 7

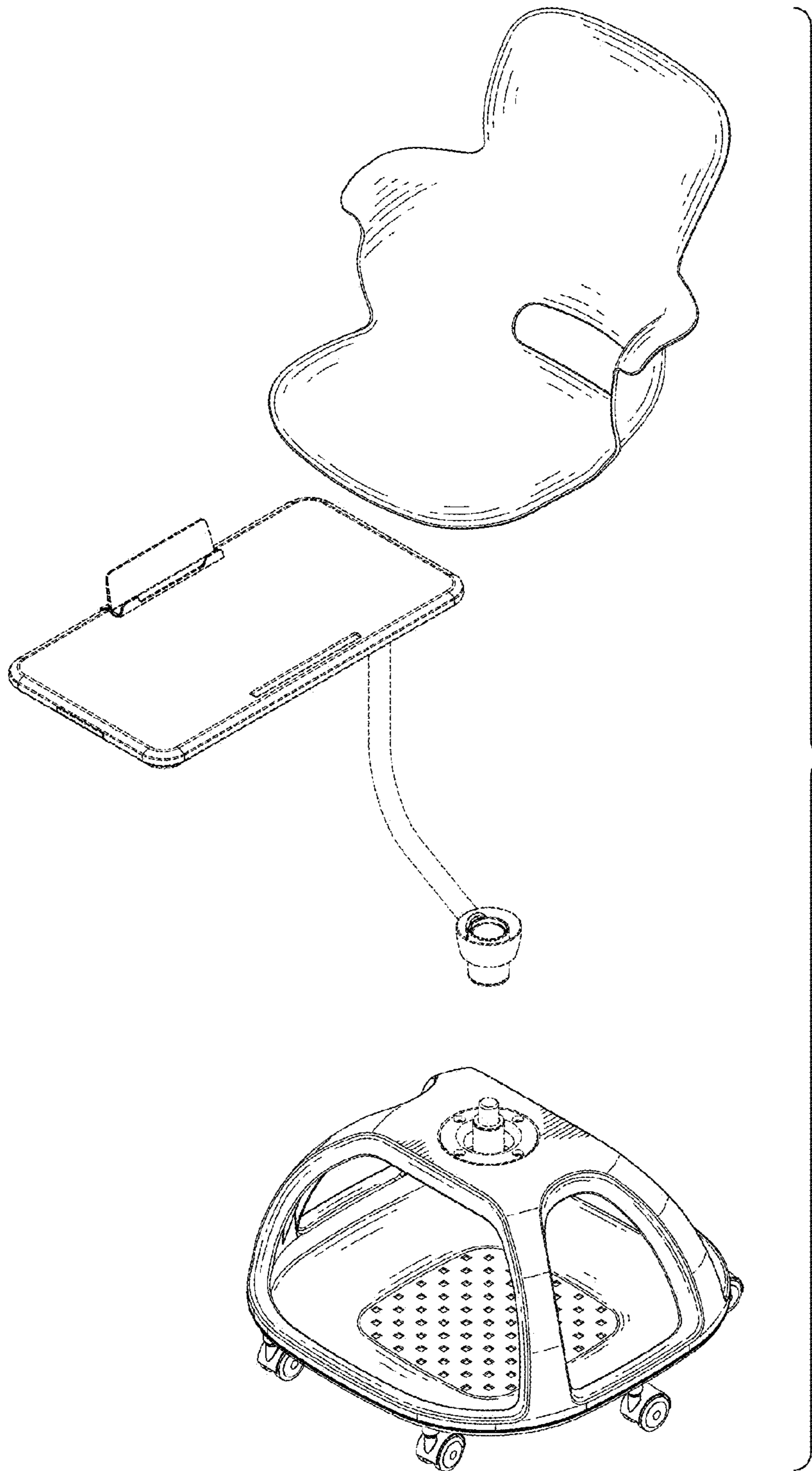


FIG. 8