



US00D729527S

(12) **United States Design Patent**
Tsai

(10) **Patent No.:** **US D729,527 S**

(45) **Date of Patent:** **** May 19, 2015**

- (54) **FOLDABLE MIRROR FRAME**
- (71) Applicant: **Pretty Star Store LLC**, Rowland Heights, CA (US)
- (72) Inventor: **Tsung-Yu Tsai**, Changhua County (TW)
- (73) Assignee: **PRETTY STAR STORE LLC**, Rowland Heights, CA (US)

(**) Term: **14 Years**

(21) Appl. No.: **29/495,804**

(22) Filed: **Jul. 3, 2014**

(51) **LOC (10) Cl.** **06-07**

(52) **U.S. Cl.**
USPC **D6/310; D6/312**

(58) **Field of Classification Search**
CPC A45D 42/16; A45D 42/08; F21V 33/004;
F21V 21/30; A47G 1/02
USPC D6/300-314; D10/122, 123, 126;
D24/139; D20/10, 21; D26/44, 56, 63;
D8/352; 359/879; 40/735, 738, 597,
40/744, 745, 754, 765, 768, 769, 790, 798,
40/838; 248/466-467; D11/3, 4, 26,
D11/37-39, 131, 133-135; D16/134-136

See application file for complete search history.

(56) **References Cited**

U.S. PATENT DOCUMENTS

- D4,256 S * 7/1870 Wessel D11/4
- D53,123 S * 3/1919 Hawthorne D26/29
- D94,648 S * 2/1935 Brown D10/102
- D138,505 S * 8/1944 Cirkinian D6/301
- D138,506 S * 8/1944 Cirkinian D6/309
- D184,833 S * 4/1959 Sager D11/39
- D226,248 S * 1/1973 Krusche D6/308
- 3,711,182 A * 1/1973 Jasgur 359/488.01
- 4,257,680 A * 3/1981 Baczkowski 359/879

- D317,274 S * 6/1991 Redina D11/4
- D394,723 S * 5/1998 Mier-Langner et al. D26/63
- 5,953,157 A * 9/1999 Christianson 359/509
- D437,492 S * 2/2001 Wai D6/309
- 6,273,585 B1 * 8/2001 Wu 362/135
- D459,094 S * 6/2002 Stone et al. D6/309
- 6,682,198 B2 * 1/2004 Mangano 359/840
- D486,963 S * 2/2004 Prince et al. D6/309

(Continued)

OTHER PUBLICATIONS

DecoBros Mirror, available Jan. 6, 2014, [online], [site visited Mar. 4, 2015]. Available from internet, <URL: http://www.amazon.com/DecoBros-Tabletop-Two-sided-Magnification-11-inch/dp/B00FW6ELDY/ref=sr_1_1?s=beauty&ie=UTF8&qid=1425500457&sr=1-1>.

(Continued)

Primary Examiner — Cathron Brooks

Assistant Examiner — Teddy Falloway

(74) *Attorney, Agent, or Firm* — Muncy, Geissler, Olds & Lowe, P.C.

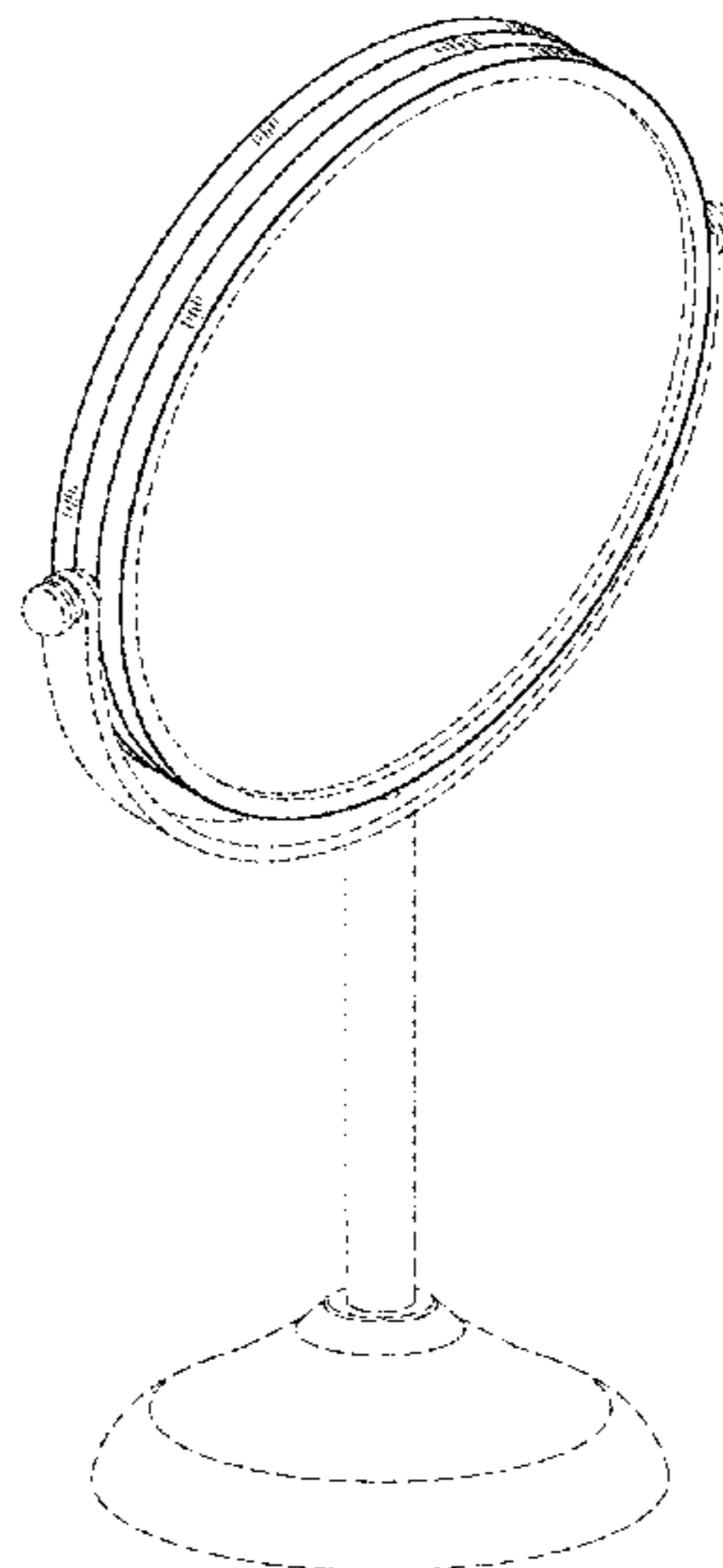
(57) **CLAIM**

The ornamental design for a foldable mirror frame, as shown and described.

DESCRIPTION

FIG. 1 is a perspective view of the present design; FIG. 2 is a front view of the present design; FIG. 3 is a rear view of the present design; FIG. 4 is a left side view of the present design, the right view of the present design being a mirror image thereof; FIG. 5 is a top view of the present design; and, FIG. 6 is a bottom view of the present design. The broken lines shown are included for the purpose of illustrating environmental structure of the foldable mirror frame that forms no part of the claimed design.

1 Claim, 5 Drawing Sheets



(56)

References Cited

U.S. PATENT DOCUMENTS

D492,230 S * 6/2004 Berger D12/187
 D505,555 S * 5/2005 Snell D6/309
 D509,369 S * 9/2005 Snell D6/310
 7,048,406 B1 * 5/2006 Shih 362/135
 D540,549 S * 4/2007 Yue D6/312
 D549,968 S * 9/2007 Pitot et al. D6/312
 D568,081 S * 5/2008 Thompson et al. D6/568
 D569,671 S * 5/2008 Thompson et al. D6/568
 D581,572 S * 11/2008 Levine D26/63
 D608,236 S * 1/2010 Akdemir D11/26
 7,651,229 B1 * 1/2010 Rimback et al. 359/840
 D639,496 S * 6/2011 Wada et al. D26/120
 D655,841 S * 3/2012 Coleman, Jr. D26/63
 8,162,502 B1 * 4/2012 Zadro 362/141
 8,356,908 B1 * 1/2013 Zadro 362/136
 8,735,922 B2 * 5/2014 Tsai 257/98
 D707,454 S * 6/2014 Pitot D6/309
 D711,874 S * 8/2014 Cope D14/374

D712,963 S * 9/2014 Fleet D19/113
 2011/0181964 A1 * 7/2011 Henkelmann et al. 359/718
 2014/0300981 A1 * 10/2014 Crane 359/879

OTHER PUBLICATIONS

Magnifying glass, available Dec. 28, 2007, [online], [site visited Mar. 4, 2015]. Available from internet, <URL: http://www.amazon.com/Authentic-Models-AC099-Magnifying-Glass/dp/B000UJB3IY/ref=pd_sim_sbs_hg_1?ie=UTF8&refRID=0GFWVMAG0N9XXGN9RNTY>.*
 DecoBros Mirror, available Oct. 10, 2014, [online], [site visited Mar. 4, 2015]. Available from internet, <URL: http://www.amazon.com/DecoBros-6-Inch-Tabletop-Two-Sided-Magnification/dp/B00LKSVEI2/ref=pd_sbs_bt_1?ie=UTF8&refRID=1YHVT8MDZZAEM751N9TA>.*
 Magnifying glass, available Feb. 20, 2013, [online], [site visited Mar. 4, 2015]. Available from internet, <URL: http://www.amazon.com/Magnifying-Glass-Stand-Decorative-Accent/dp/B0010ALQZ2/ref=sr_1_21?s=home-garden&ie=UTF8&qid=1425503728&sr=1-21&keywords=magnifying+glass>.*

* cited by examiner

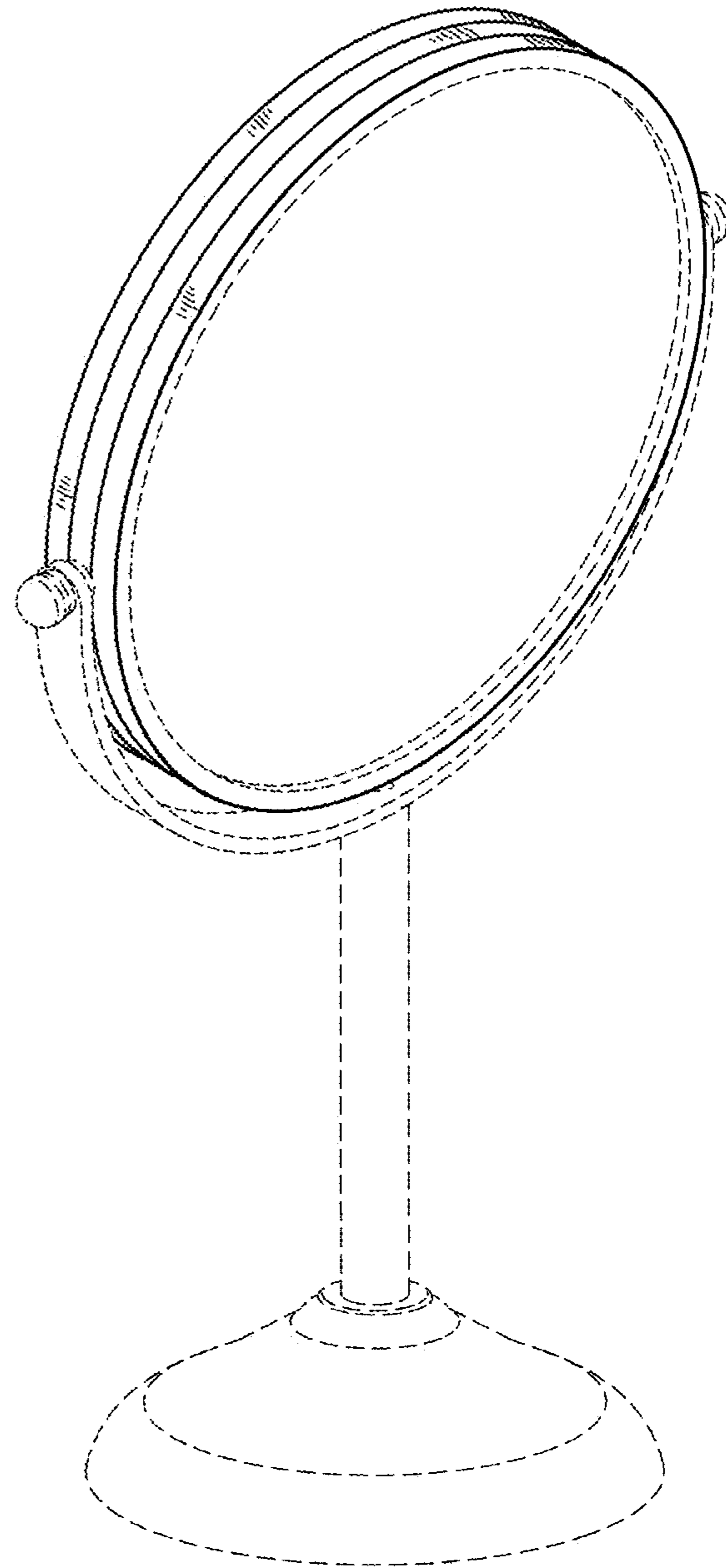


FIG. 1

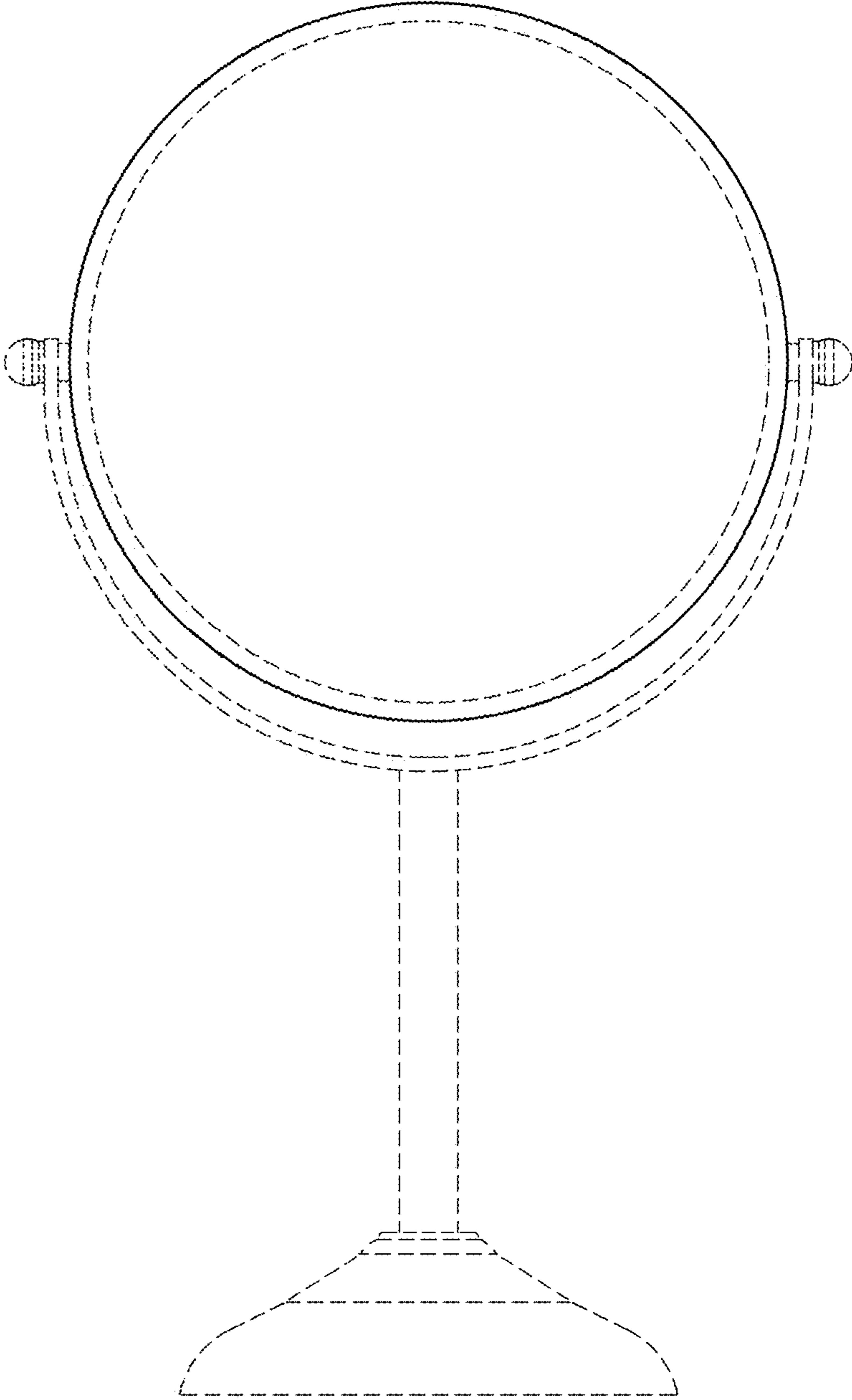


FIG. 2

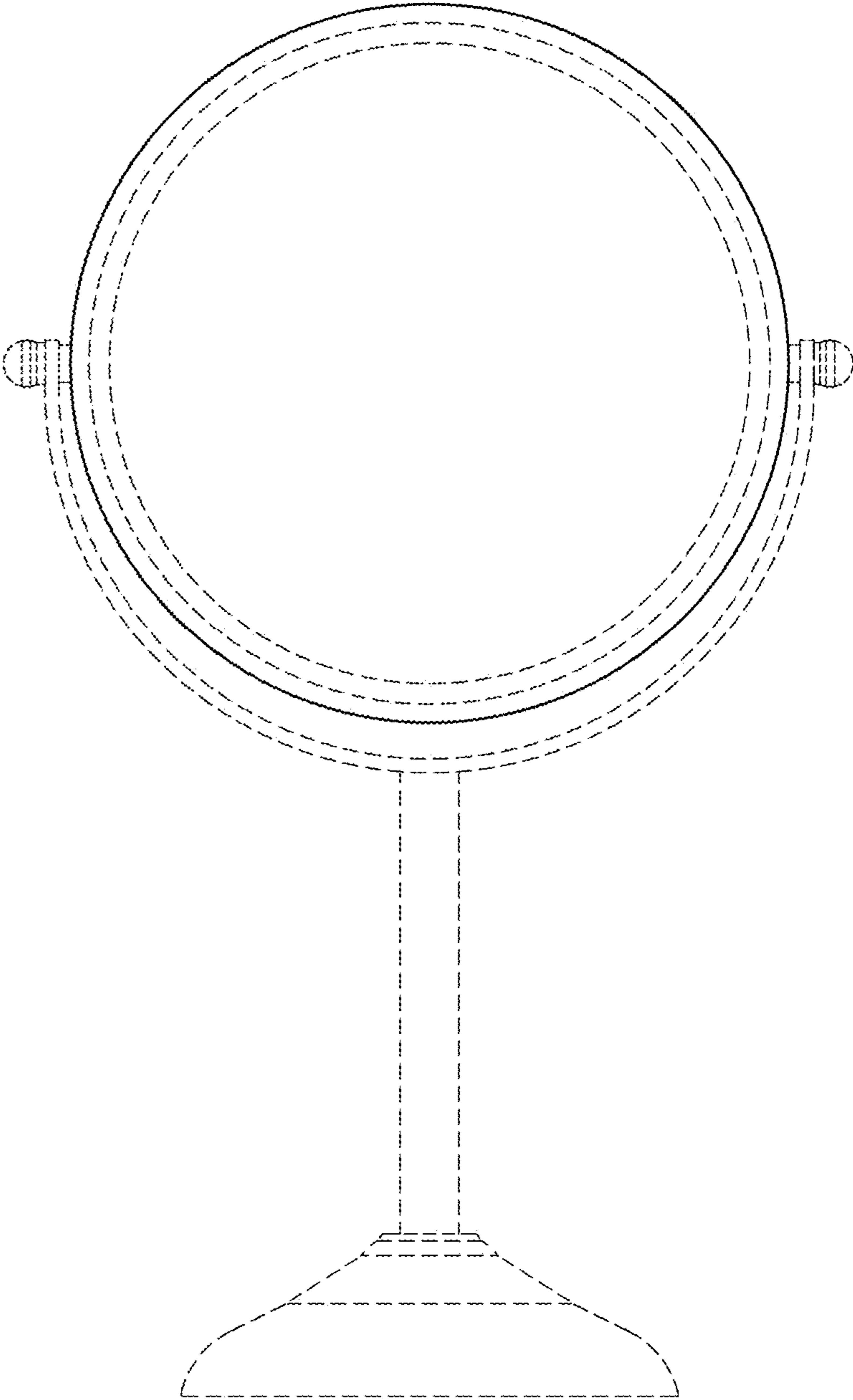


FIG. 3

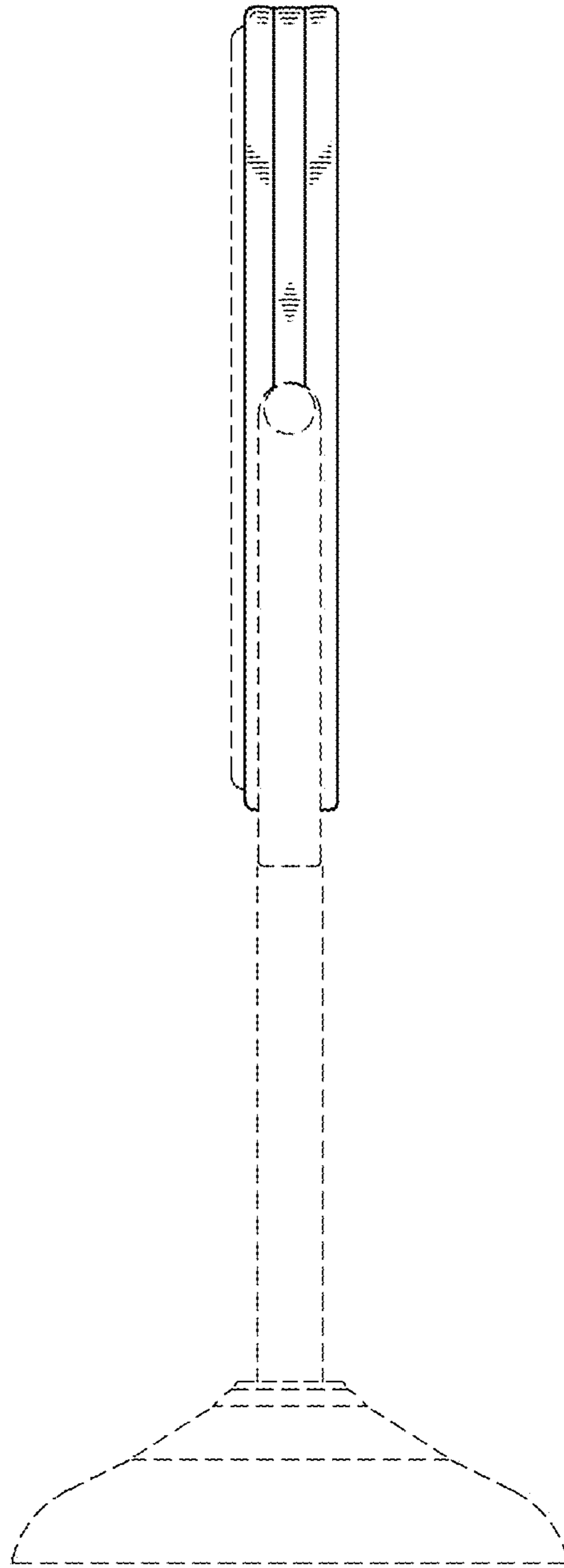


FIG. 4

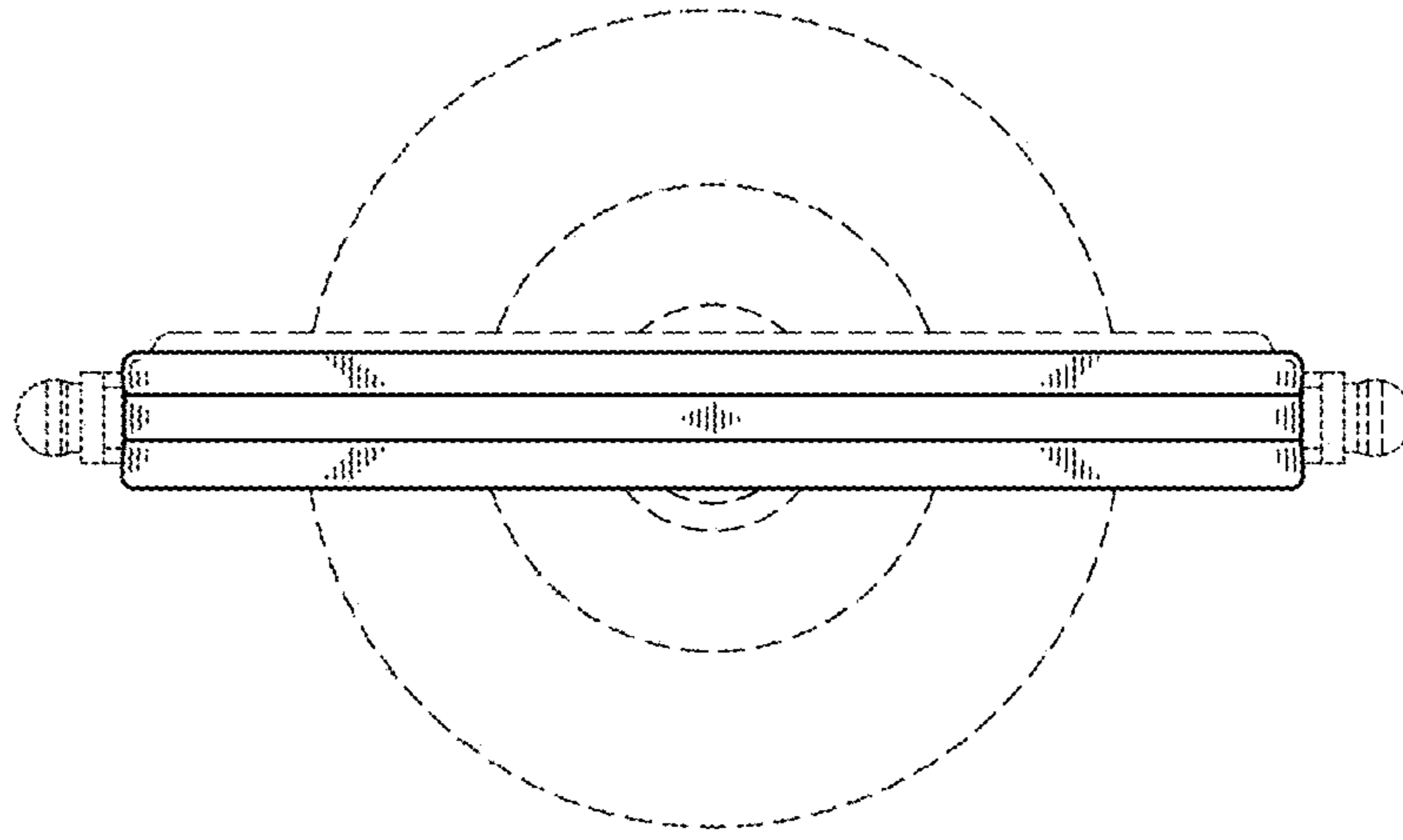


FIG. 5

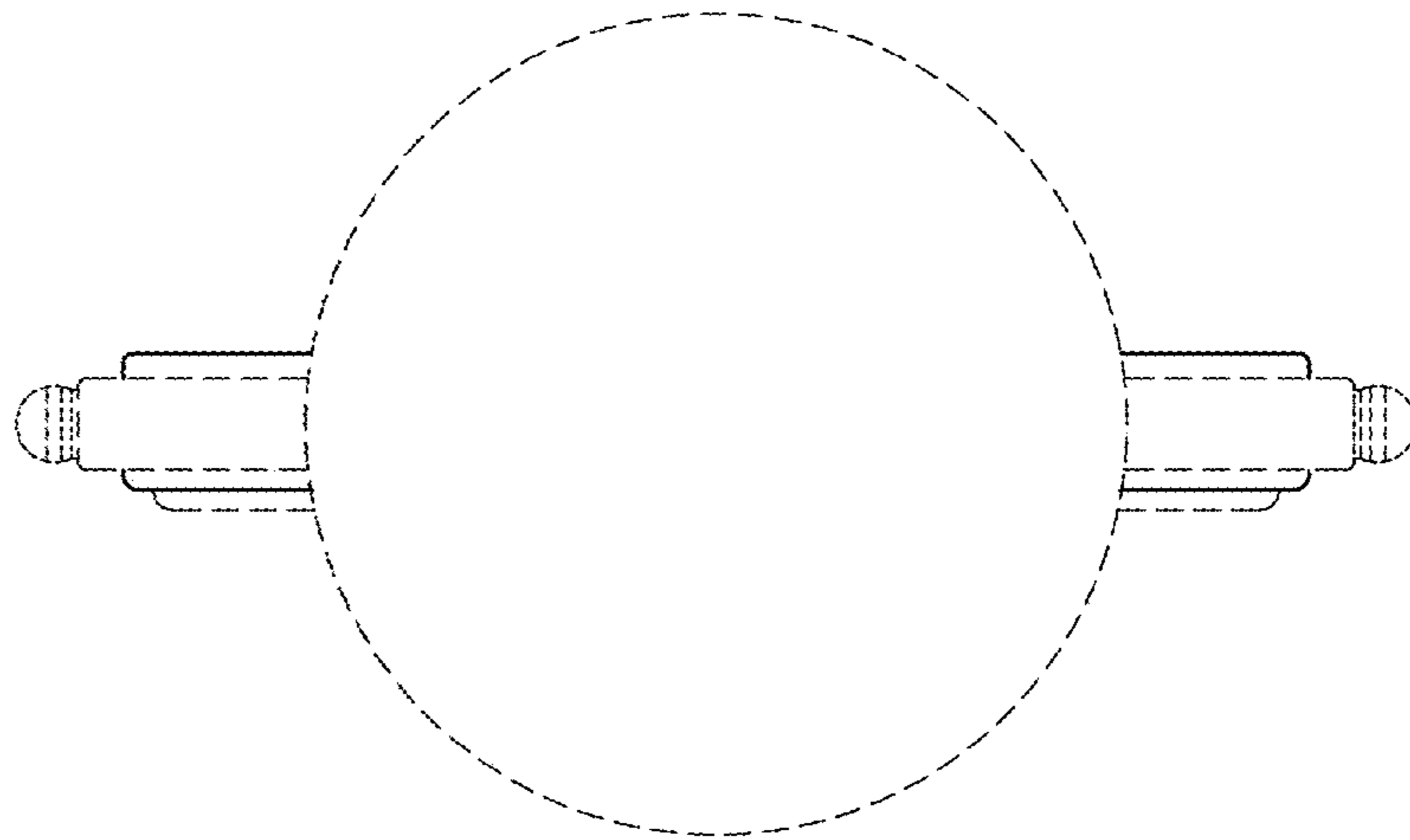


FIG. 6