



US00D729526S

(12) **United States Design Patent**
Klatt et al.

(10) **Patent No.:** **US D729,526 S**

(45) **Date of Patent:** **** May 19, 2015**

(54) **PICTURE FRAME**

(71) Applicants: **Stephanie Klatt**, Beaver Dam, WI (US);
Brad Kerl, Dane, WI (US)

(72) Inventors: **Stephanie Klatt**, Beaver Dam, WI (US);
Brad Kerl, Dane, WI (US)

(73) Assignee: **Uniek, Inc.**, Waunakee, WI (US)

(**) Term: **14 Years**

(21) Appl. No.: **29/478,677**

(22) Filed: **Jan. 7, 2014**

(51) **LOC (10) Cl.** **06-07**

(52) **U.S. Cl.**
USPC **D6/306; D6/302**

(58) **Field of Classification Search**
CPC **A47G 1/065**
USPC **D6/300-312; D21/337; 428/18;**
D19/59, 26; D5/66; 40/700, 735
See application file for complete search history.

(56) **References Cited**

U.S. PATENT DOCUMENTS

D259,163	S *	5/1981	Leard et al.	D6/302
D270,882	S *	10/1983	Wilson	D6/301
D273,312	S *	4/1984	Guertin	D21/337
D276,055	S *	10/1984	Guertin	D21/337
D285,751	S *	9/1986	Timarac	D6/301
D420,811	S *	2/2000	Spiegel et al.	D6/306
D580,183	S *	11/2008	Hirai	D6/303
D590,603	S *	4/2009	Heuman	D6/302
D606,761	S *	12/2009	Quinn et al.	D6/302
D677,909	S *	3/2013	Wisniewski	D6/306
D713,155	S *	9/2014	Fugere et al.	D6/302
2010/0050491	A1 *	3/2010	Grange	40/735
2010/0170126	A1 *	7/2010	Ye et al.	40/735

OTHER PUBLICATIONS

Tree Collage frame, available Nov. 13, 2013, [online], [site visited Jan. 5, 2015]. Available from internet, <URL: <http://www.bedbathandbeyond.com/store/product/8-picture-family-tree-collage-frame/1041726631?categoryId=10545>>.*
Family Tree Collection, available Nov. 30, 2012, [online], [site visited Jan. 5, 2015]. Available from internet, <URL: <http://www.bedbathandbeyond.com/store/product/wallverbs-trade-family-tree-9-piece-family-tree-collection/1040398501?categoryId=10545>>.*
Family Tree Photo Frame, available Dec. 6, 2011, [online], [site visited Jan. 5, 2015]. Available from internet, <URL: <http://www.freshdesignblog.com/2011/12/family-tree-photo-frame/>>.*

* cited by examiner

Primary Examiner — Cathron Brooks

Assistant Examiner — Teddy Falloway

(74) *Attorney, Agent, or Firm* — Quarles & Brady LLP

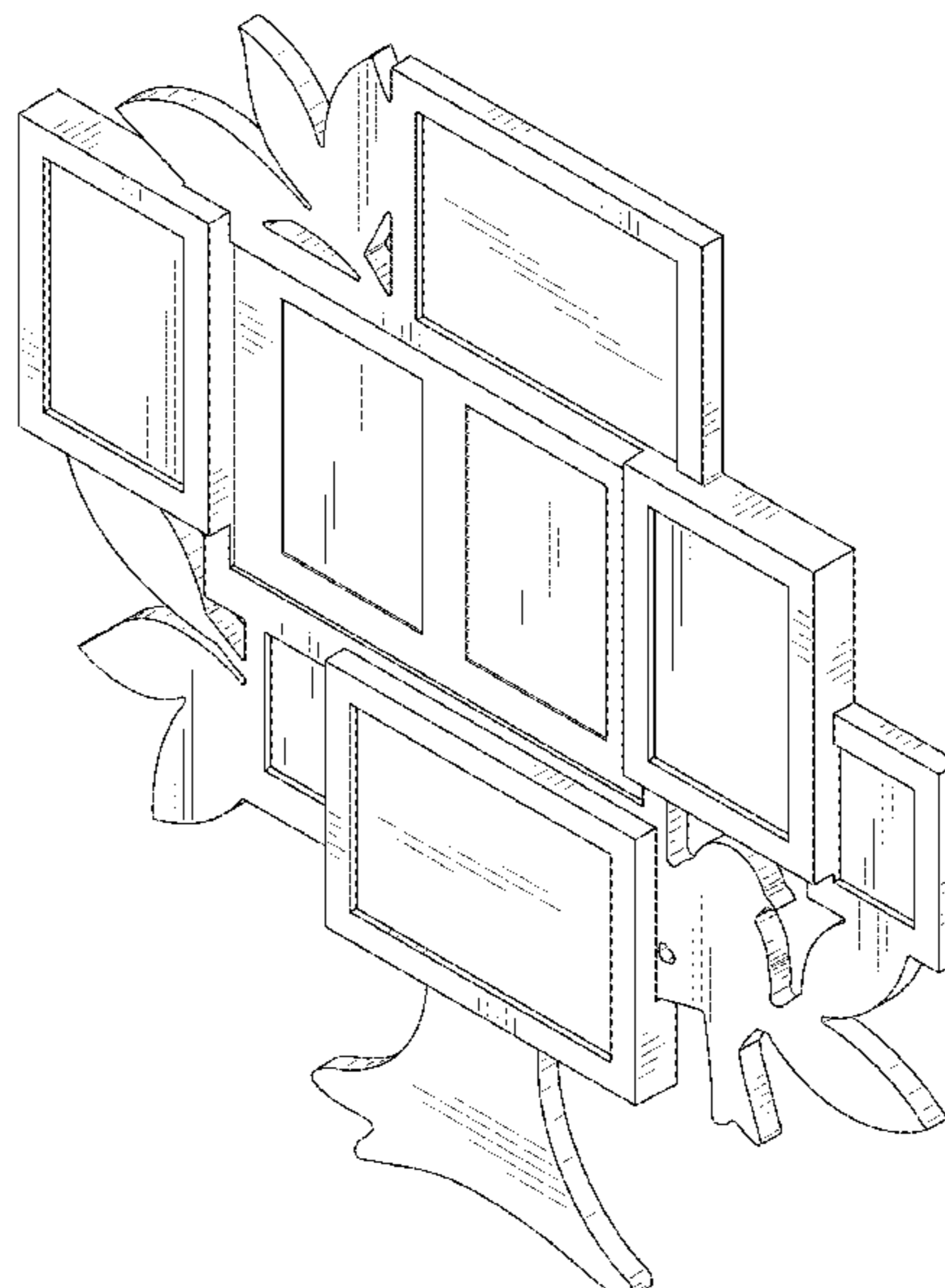
(57) **CLAIM**

The ornamental design for a picture frame, as shown and described.

DESCRIPTION

FIG. 1 is an isometric view of a front, top, and right side of an ornamental design for a picture frame;
FIG. 2 is a front elevational view of the picture frame of FIG. 1;
FIG. 3 is a rear elevational view of the picture frame of FIG. 1;
FIG. 4 is a right side elevational view of the picture frame of FIG. 1;
FIG. 5 is a left side elevational view of the picture frame of FIG. 1;
FIG. 6 is a top plan view of the picture frame of FIG. 1; and,
FIG. 7 is a bottom plan view of the picture frame of FIG. 1.
The broken lines shown in the drawings are included for the purpose of illustrating portions of the picture frame that form no part of the claimed design.

1 Claim, 5 Drawing Sheets



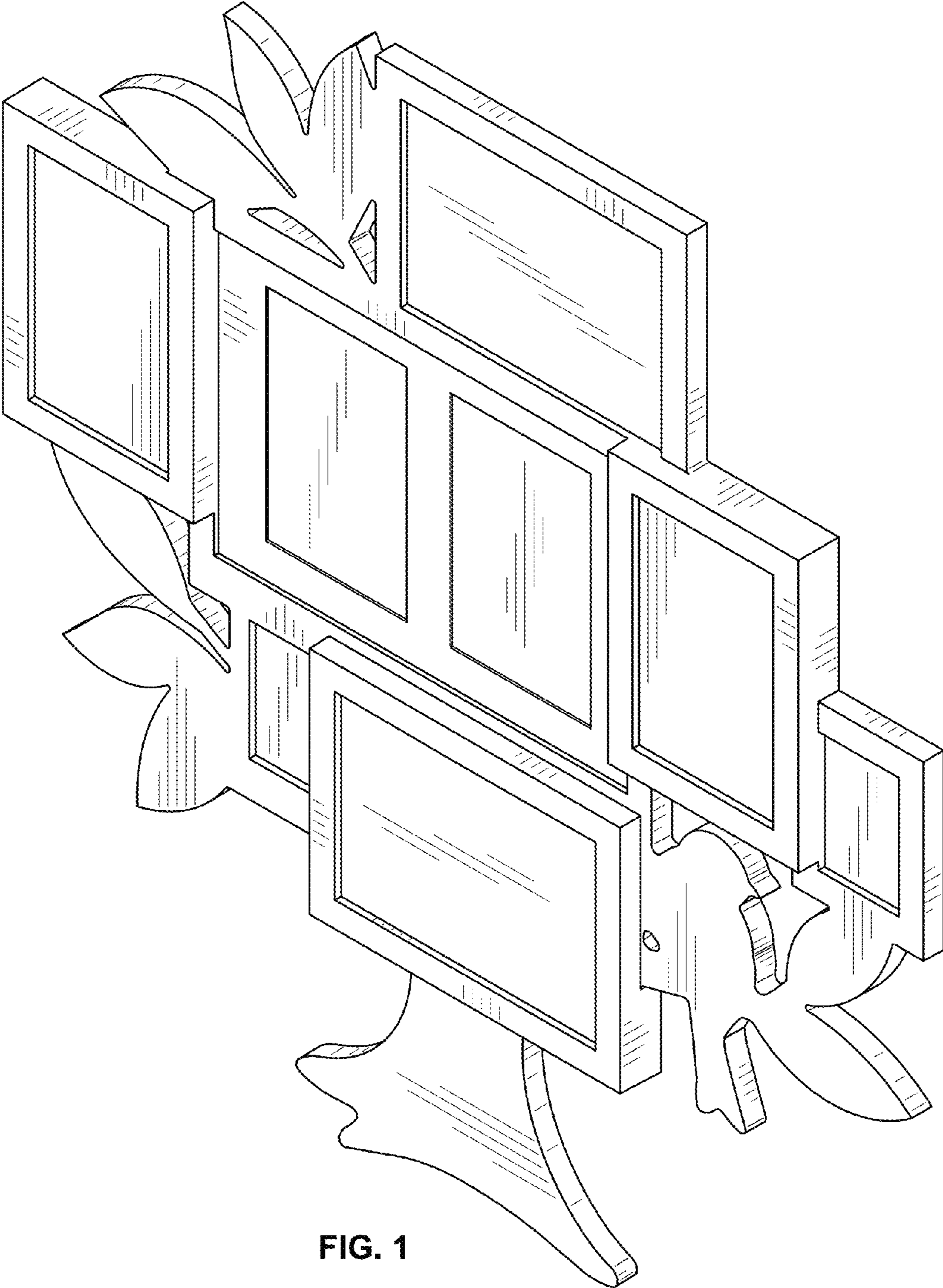


FIG. 1

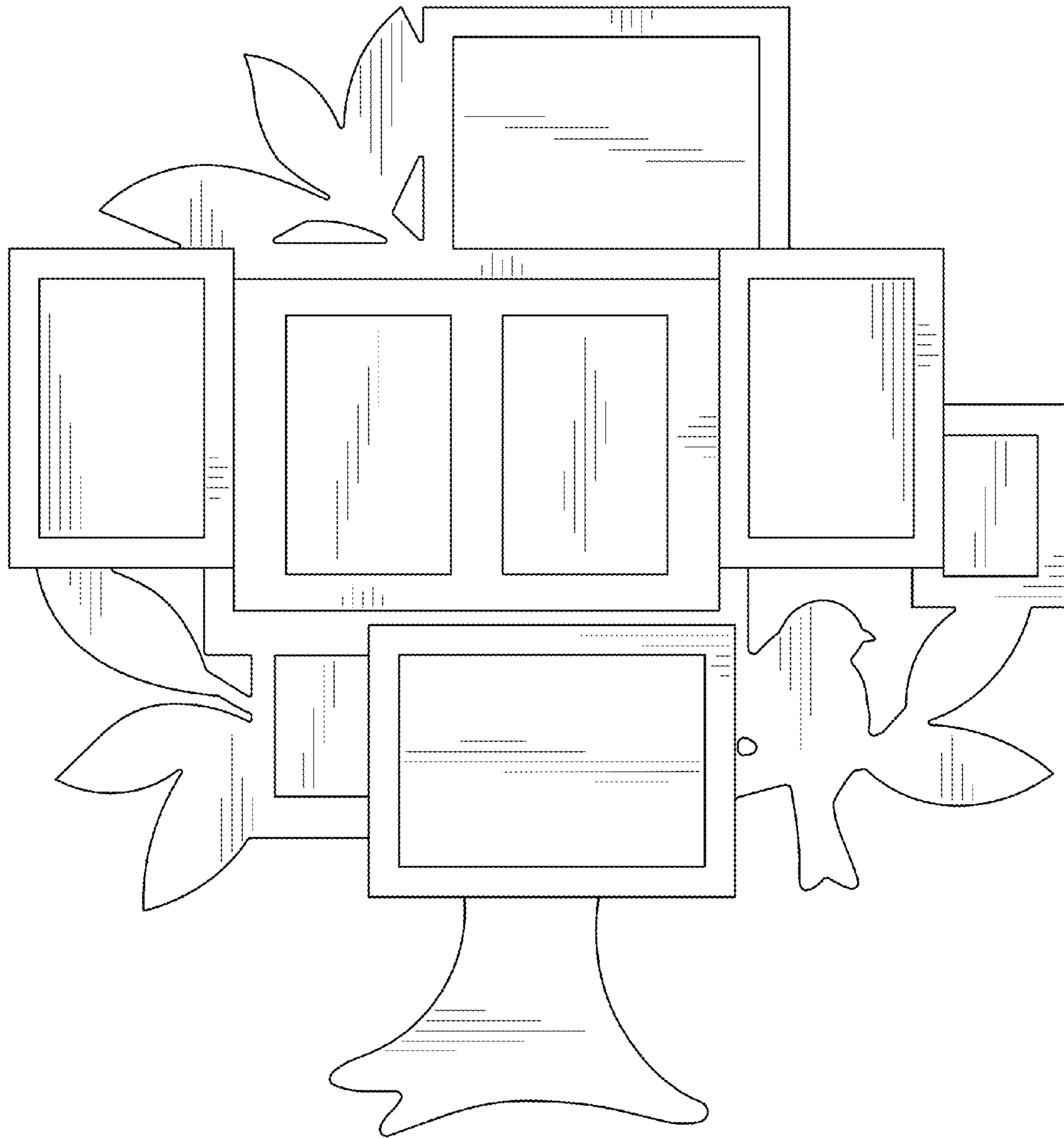


FIG. 2

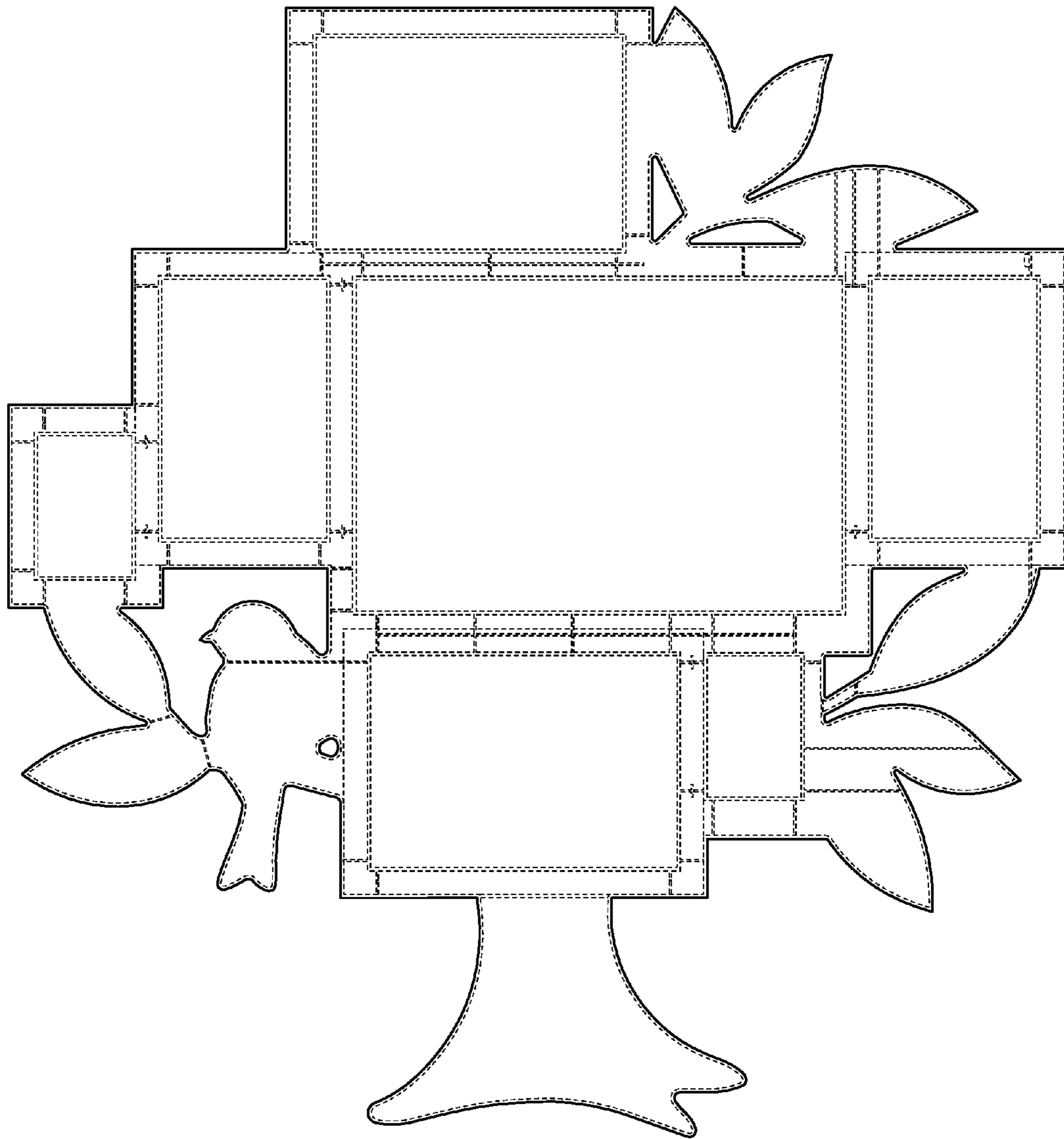


FIG. 3



FIG. 4

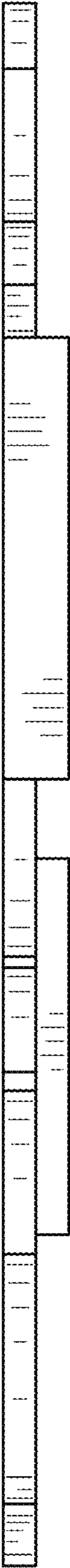


FIG. 5



FIG. 6

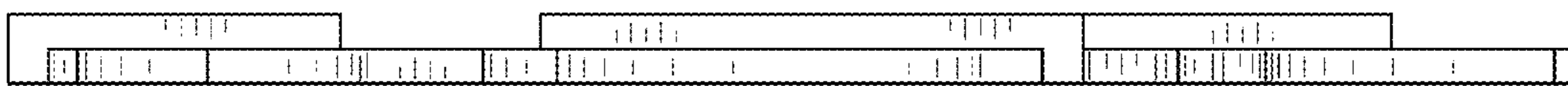


FIG. 7