



US00D729522S

(12) **United States Design Patent**
Kim

(10) **Patent No.:** **US D729,522 S**

(45) **Date of Patent:** **** May 19, 2015**

(54) **CASE FOR ELECTRONIC DEVICE**

D666,804 S * 9/2012 Rogers D3/201
8,504,126 B1 * 8/2013 Maravilla et al. 455/575.1
D708,839 S * 7/2014 Lee D3/201

(71) Applicant: **Samsung Electronics, Ltd**, Suwon-Si (KR)

* cited by examiner

(72) Inventor: **Yoon-Young Kim**, Bundang-Gu (KR)

Primary Examiner — Catheri Oliver-Garcia

(73) Assignee: **Samsung Electronics Co., Ltd.**, Suwon-si (KR)

(74) *Attorney, Agent, or Firm* — NSIP Law

(**) Term: **14 Years**

(57) **CLAIM**

The ornamental design for a case for electronic device, as shown and described.

(21) Appl. No.: **29/464,742**

DESCRIPTION

(22) Filed: **Aug. 20, 2013**

(30) **Foreign Application Priority Data**

Feb. 22, 2013 (KR) 30-2013-0009201

(51) **LOC (10) CL.** **03-01**

(52) **U.S. CL.**
USPC **D3/303**; D3/218; D3/249

(58) **Field of Classification Search**
USPC D3/201, 218, 247–253, 303, 232–233;
150/130–132, 136–138, 147; 224/581,
224/602; 455/575.1–575.8; 206/305, 320;
D14/250–251.253

See application file for complete search history.

FIG. 1 is a front perspective view of a case for electronic device showing my new design;
FIG. 2 is a front view thereof;
FIG. 3 is a rear view thereof;
FIG. 4 is a left-side view thereof;
FIG. 5 is a right-side view thereof;
FIG. 6 is a top view thereof;
FIG. 7 is a bottom view thereof;
FIG. 8 is a rear perspective view of the case for electronic device in which the case is shown in an open position;
FIG. 9 is another front perspective view of the case for electronic device in which the case is shown in an open position; and,
FIG. 10 is an enlarged view of the portion A encircled in FIG. 9.
The broken lines are for environmental purposes only and form no part of the claimed design.
The dot-dash broken lines encircling portions of the claimed design that are illustrated in enlargements form no part of the claimed design.

(56) **References Cited**

U.S. PATENT DOCUMENTS

D517,803 S * 3/2006 Brown D3/247
7,730,917 B2 * 6/2010 Hui 150/138

1 Claim, 8 Drawing Sheets

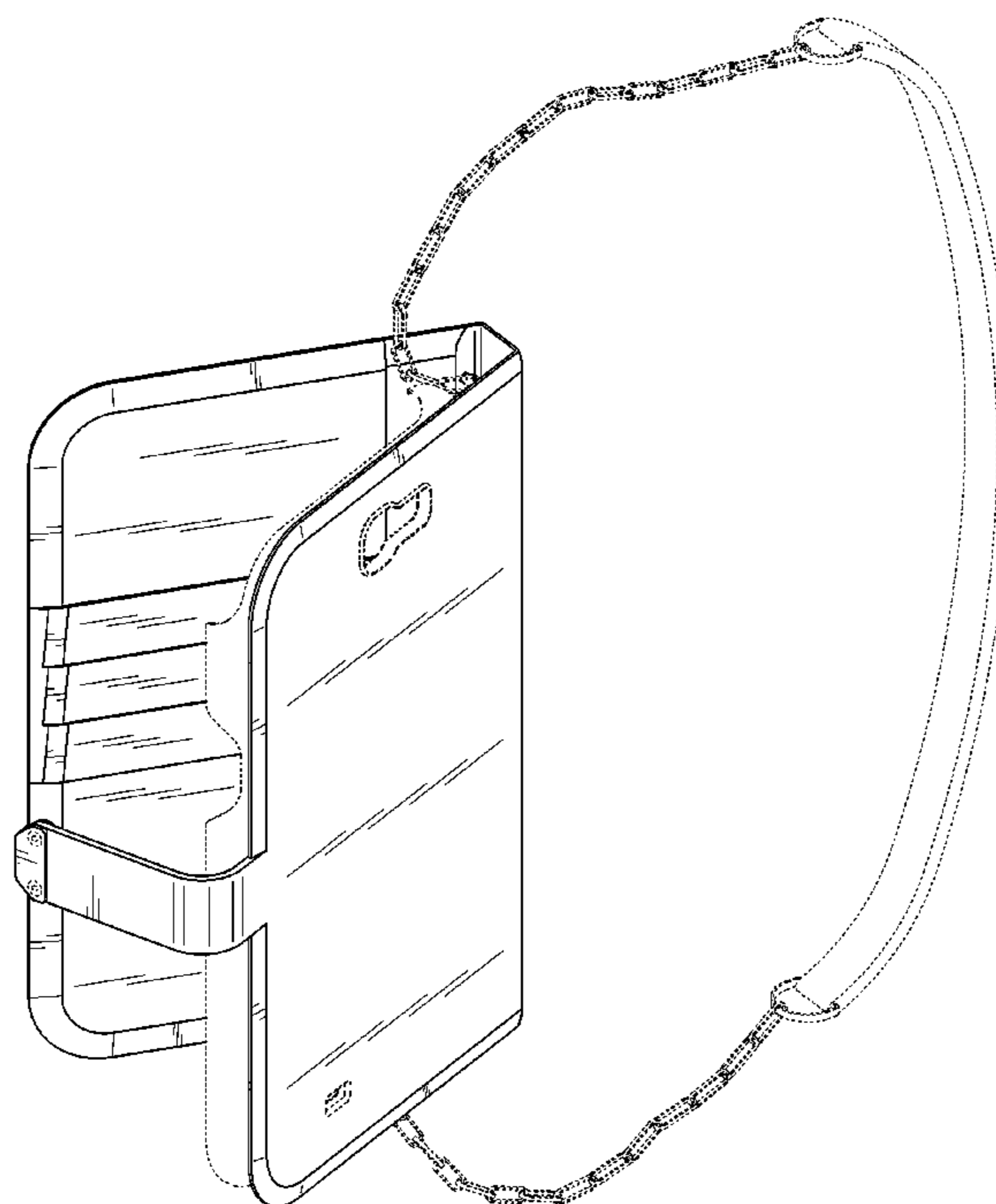


FIG. 1

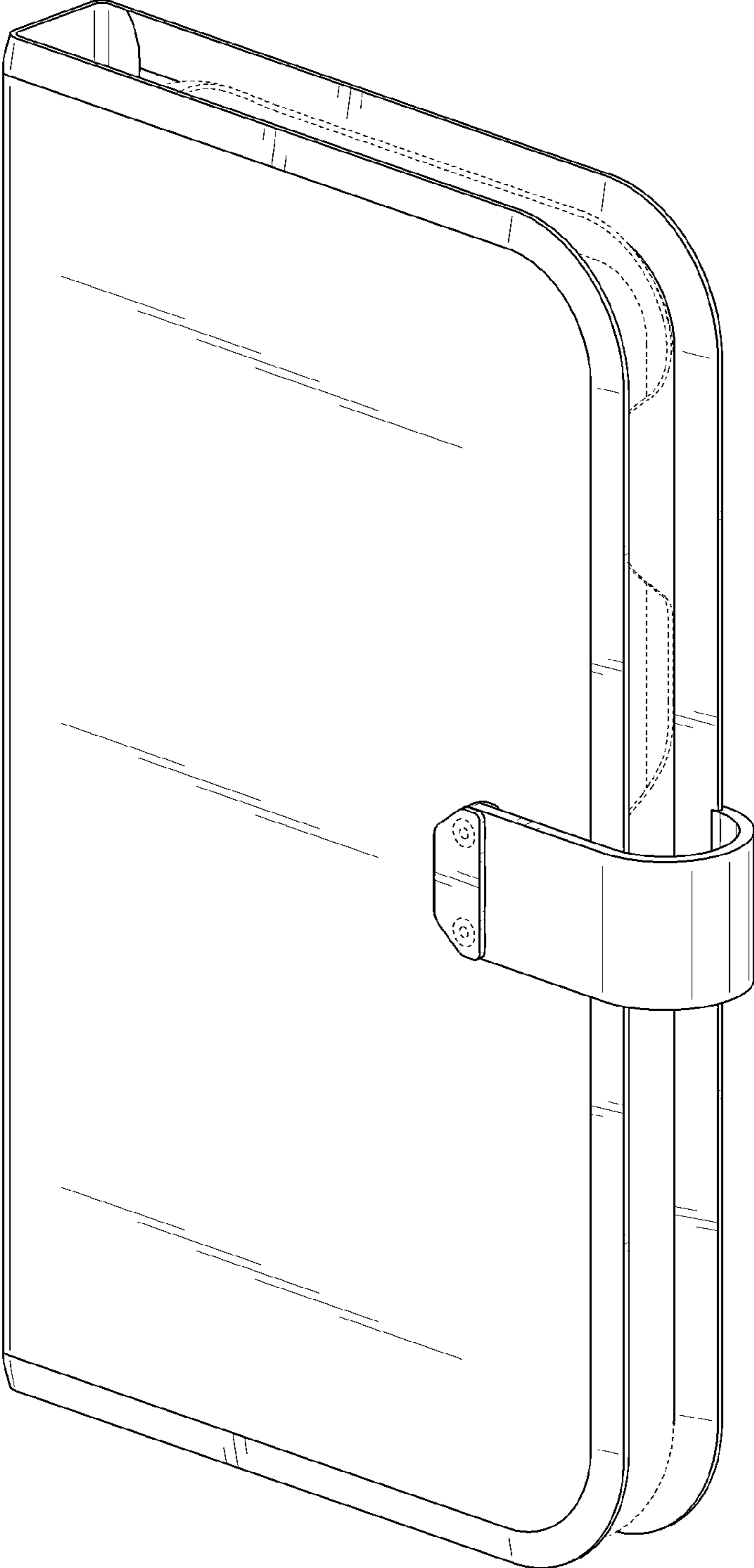


FIG. 2

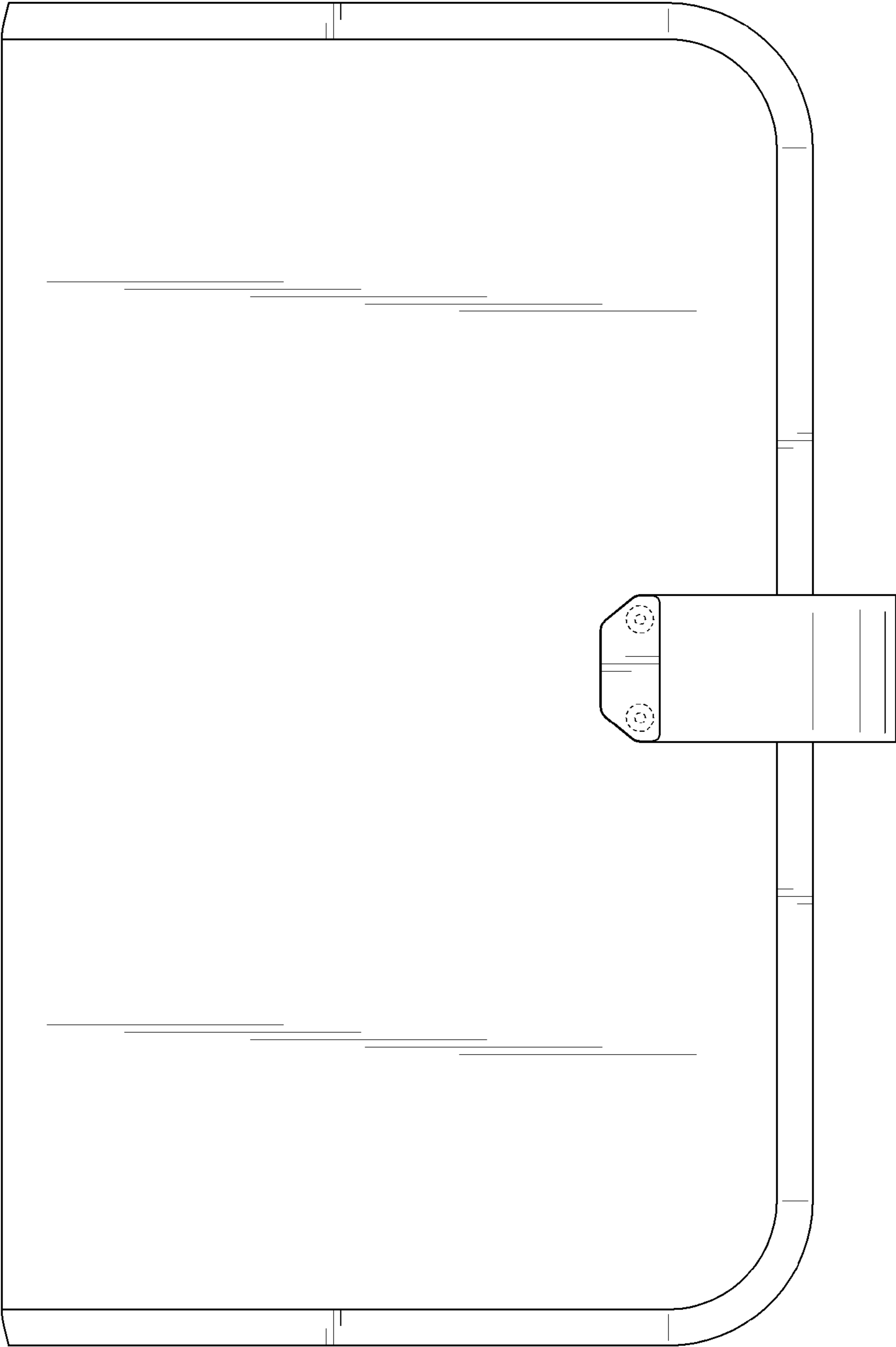


FIG. 3

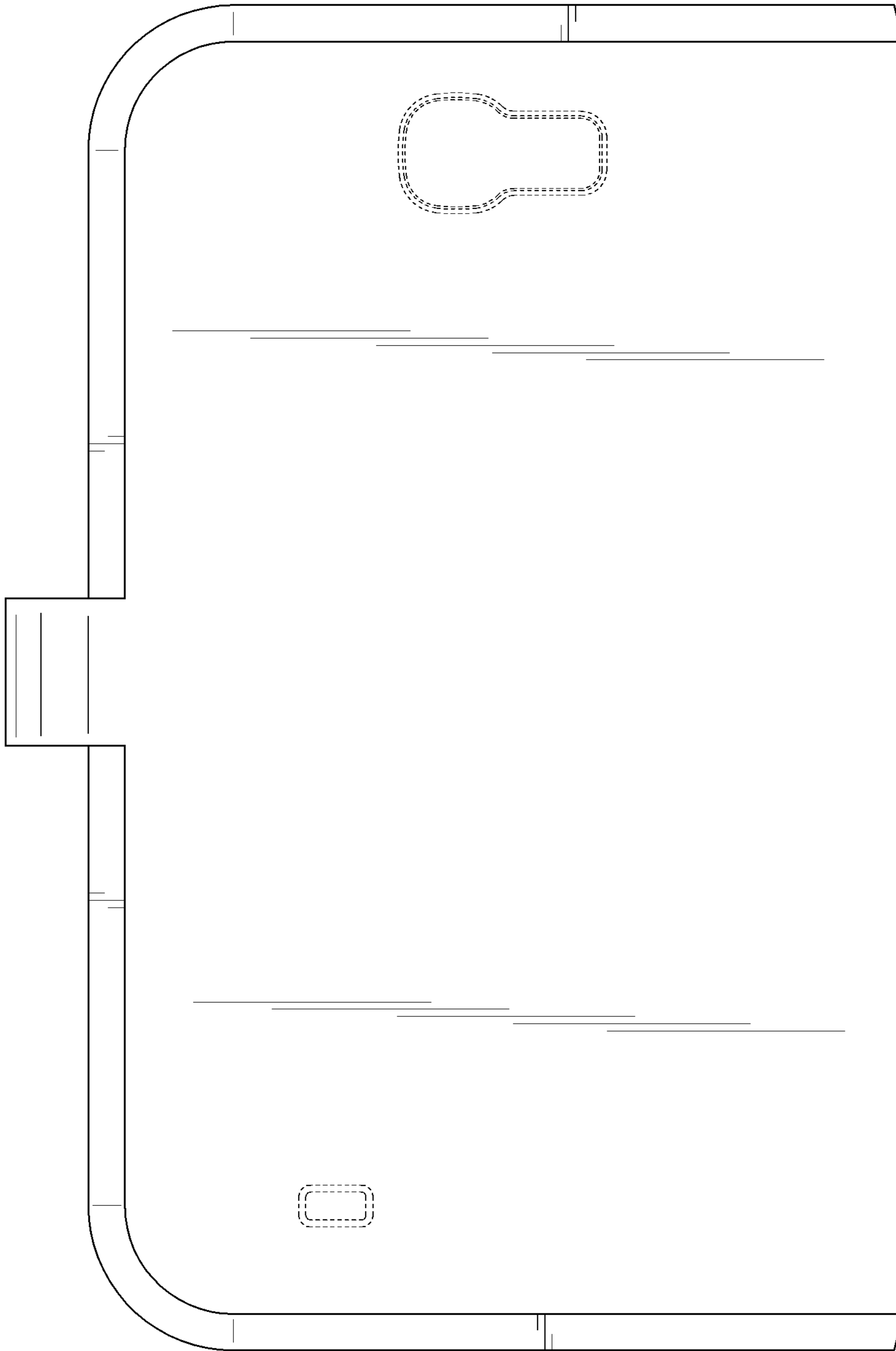


FIG. 4

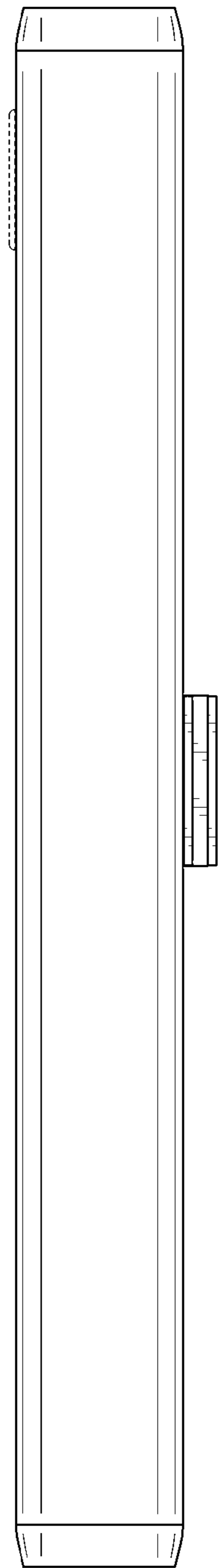


FIG. 5

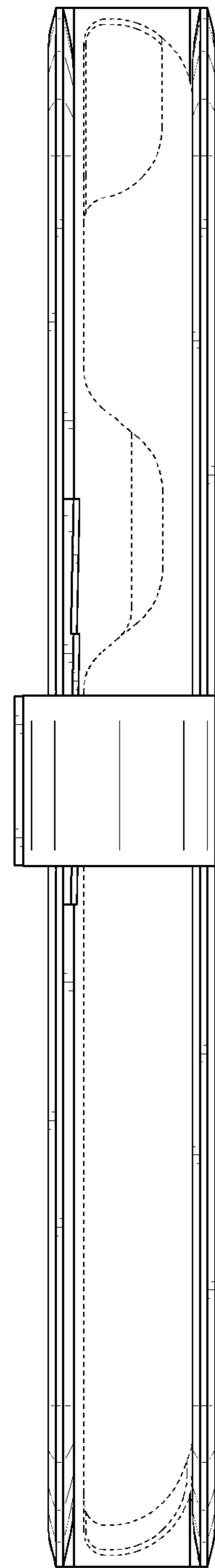


FIG. 6

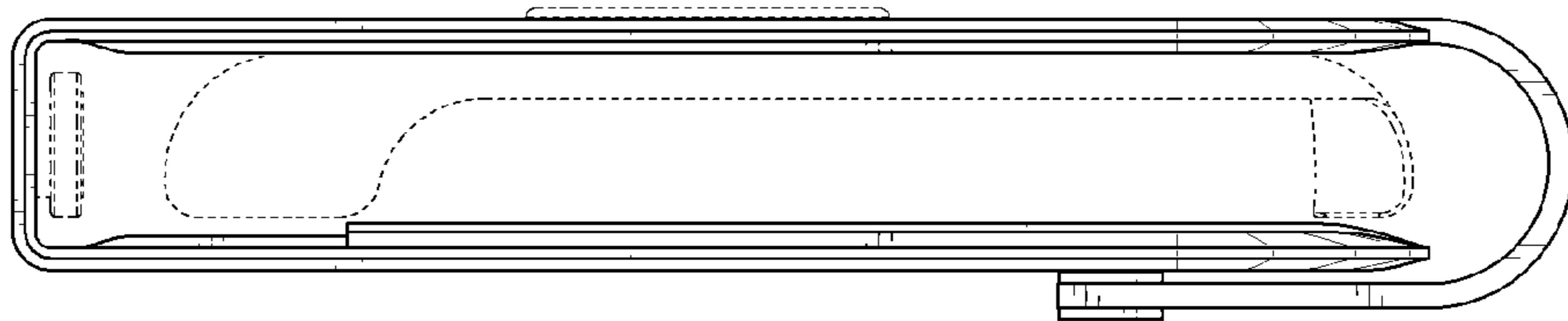


FIG. 7

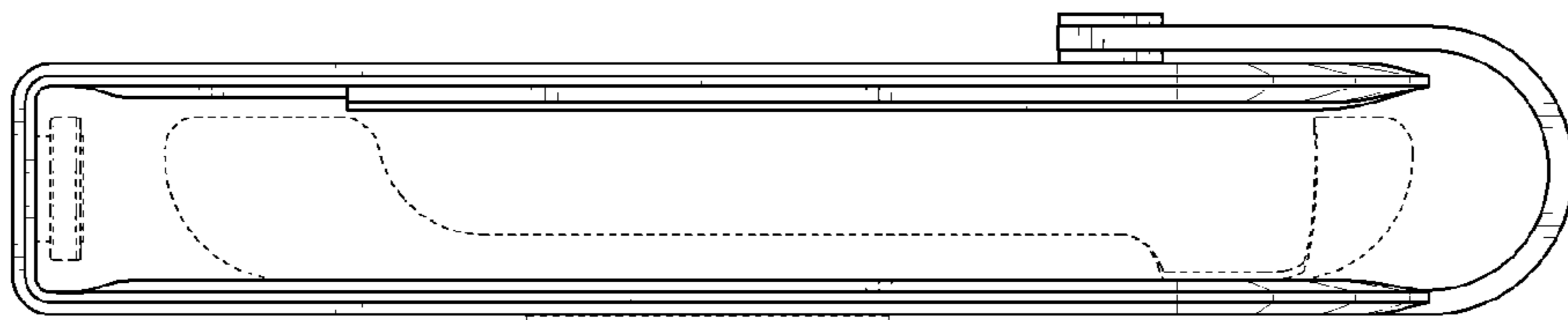


FIG. 8

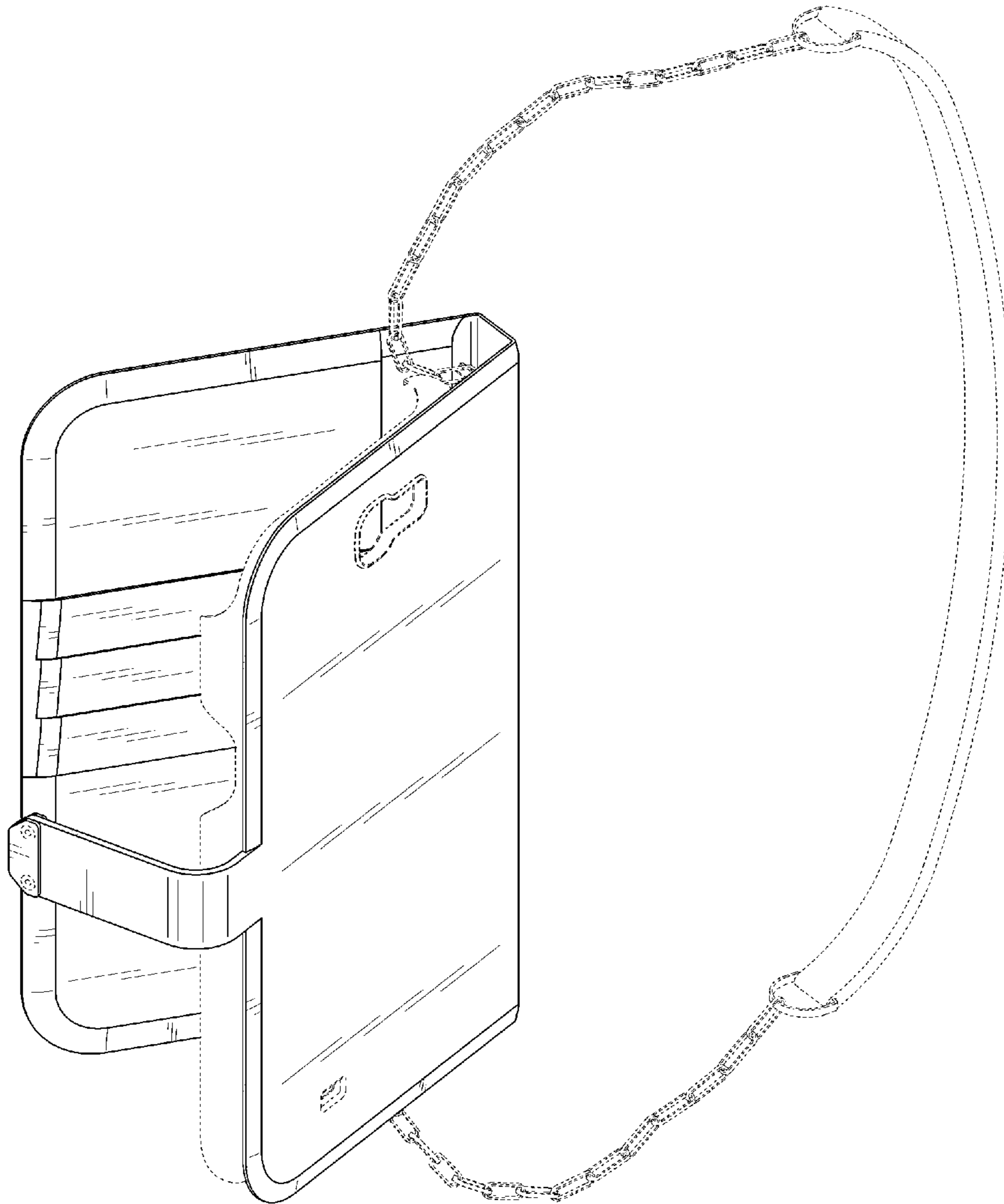


FIG. 9

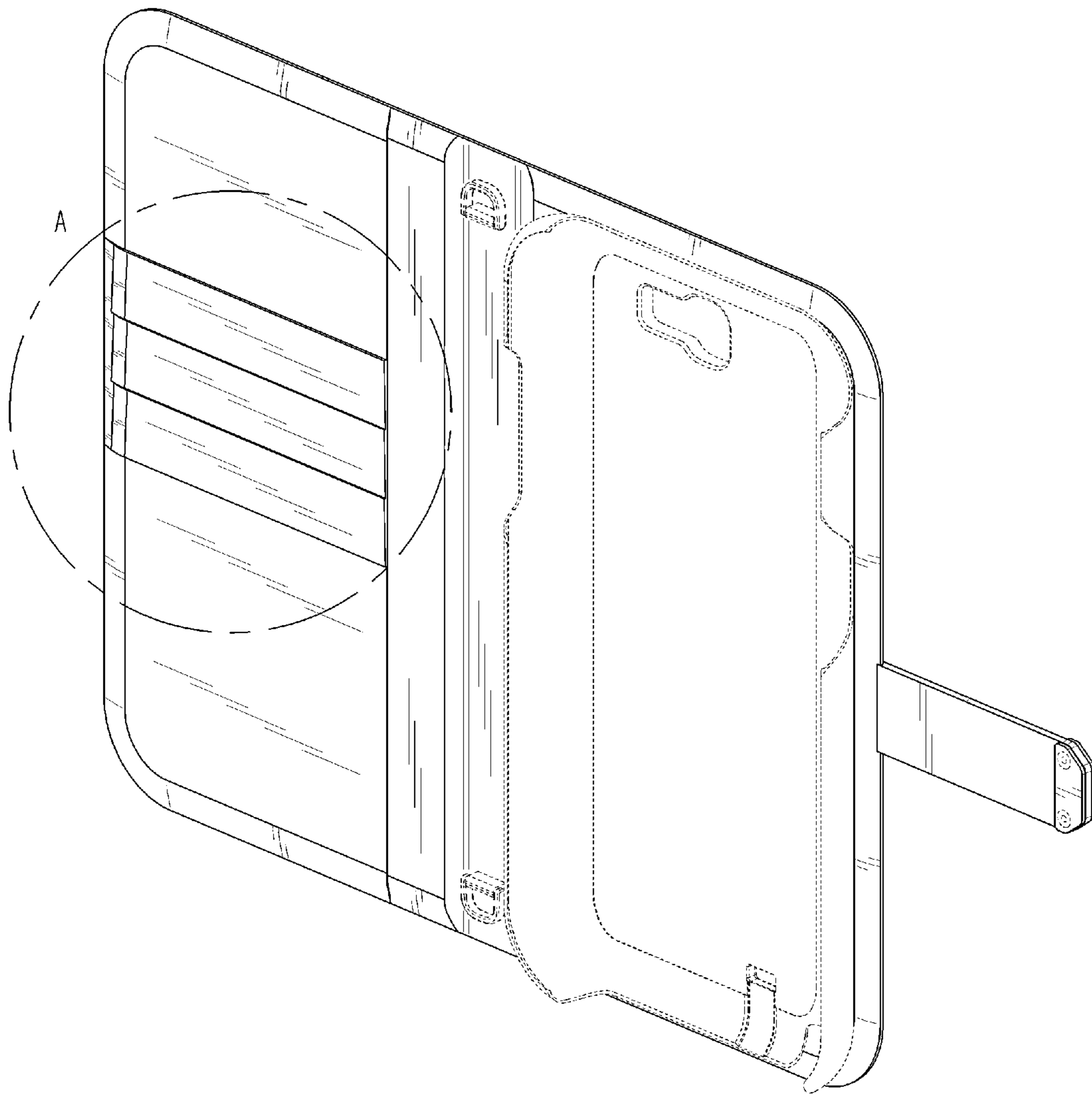


FIG. 10

