



US00D729521S

(12) **United States Design Patent**  
**Ashry**

(10) **Patent No.:** **US D729,521 S**

(45) **Date of Patent:** **\*\* May 19, 2015**

(54) **FOLDING UTILITY SURFACE WITH BUILT IN CONTAINERS**

D555,903 S \* 11/2007 Hammer ..... D3/299  
D617,988 S \* 6/2010 Hunter ..... D3/299  
D660,592 S \* 5/2012 Mecchella ..... D3/299  
D690,512 S \* 10/2013 Phillips et al. .... D3/299

(71) Applicant: **Mohamed Ashry**, Cliffside Park, NJ  
(US)

\* cited by examiner

(72) Inventor: **Mohamed Ashry**, Cliffside Park, NJ  
(US)

*Primary Examiner* — Holly Baynham  
(74) *Attorney, Agent, or Firm* — James M. Smedley LLC;  
James Michael Smedley, Esq.

(\*\*) Term: **14 Years**

(21) Appl. No.: **29/458,075**

(57) **CLAIM**  
I claim the ornamental design for a folding utility surface with built in containers, as shown and described.

(22) Filed: **Jun. 14, 2013**

(51) **LOC (10) Cl.** ..... **03-01**

**DESCRIPTION**

(52) **U.S. Cl.**

USPC ..... **D3/299**

(58) **Field of Classification Search**

CPC ..... B65D 5/06

USPC ..... D3/299

See application file for complete search history.

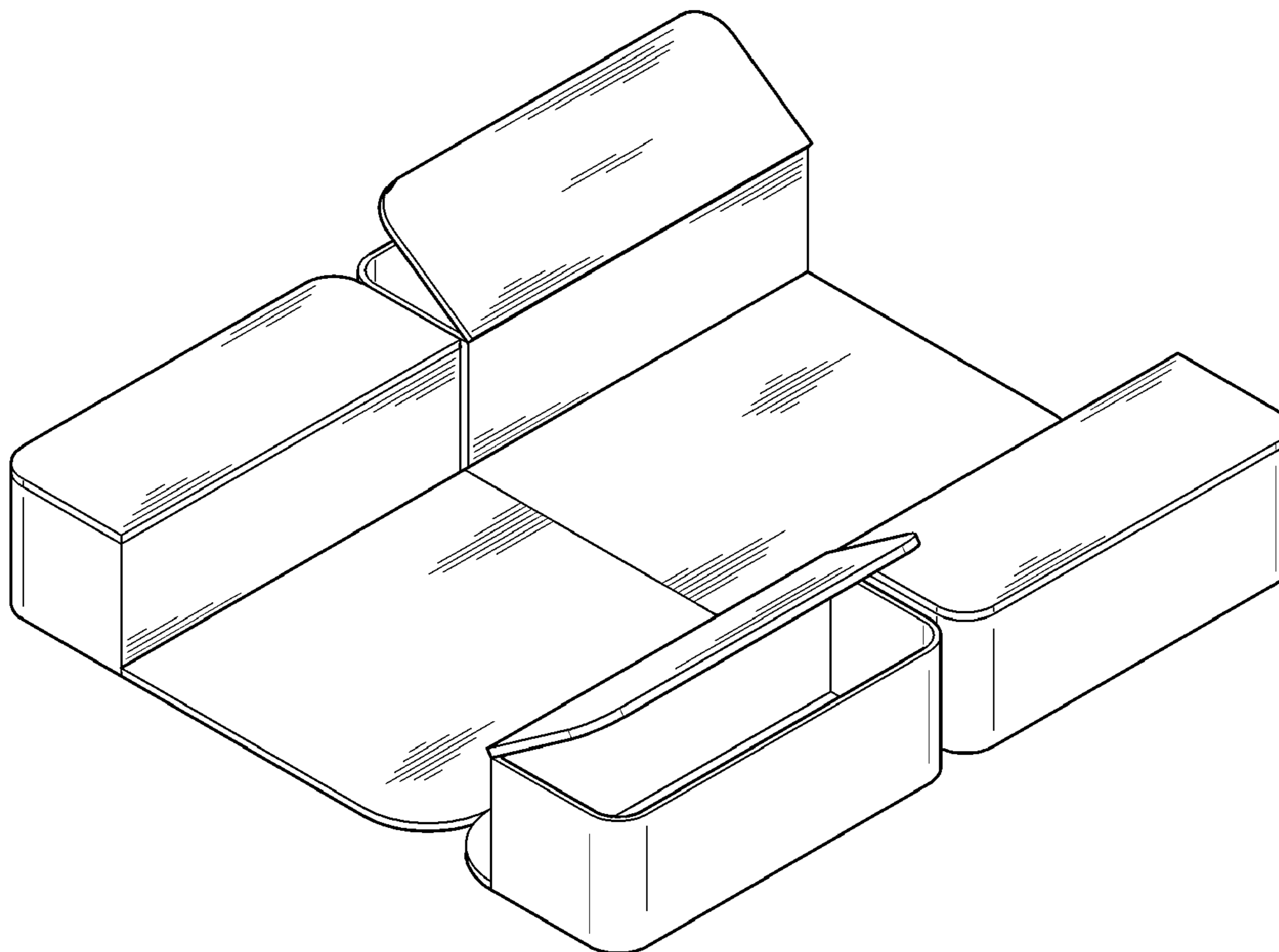
FIG. 1 is a perspective view showing the new design.  
FIG. 2 is a front view showing the new design.  
FIG. 3 is a rear view showing the new design.  
FIG. 4 is a top view showing the new design.  
FIG. 5 is a bottom view showing the new design.  
FIG. 6 is a side view showing the new design.  
FIG. 7 is an opposite side view showing the new design; and,  
FIG. 8 is a view of the new design when in a folded format.  
The shading lines shown in the drawings represent the approximate three-dimensional contour of the design, and are not intended to indicate surface decoration.

(56) **References Cited**

**U.S. PATENT DOCUMENTS**

D225,588 S \* 12/1972 Testro ..... D3/299  
D261,826 S \* 11/1981 Webb ..... D3/299  
5,060,850 A \* 10/1991 Weaver ..... 229/117.06  
D529,718 S \* 10/2006 Rasmussen ..... D3/299

**1 Claim, 3 Drawing Sheets**



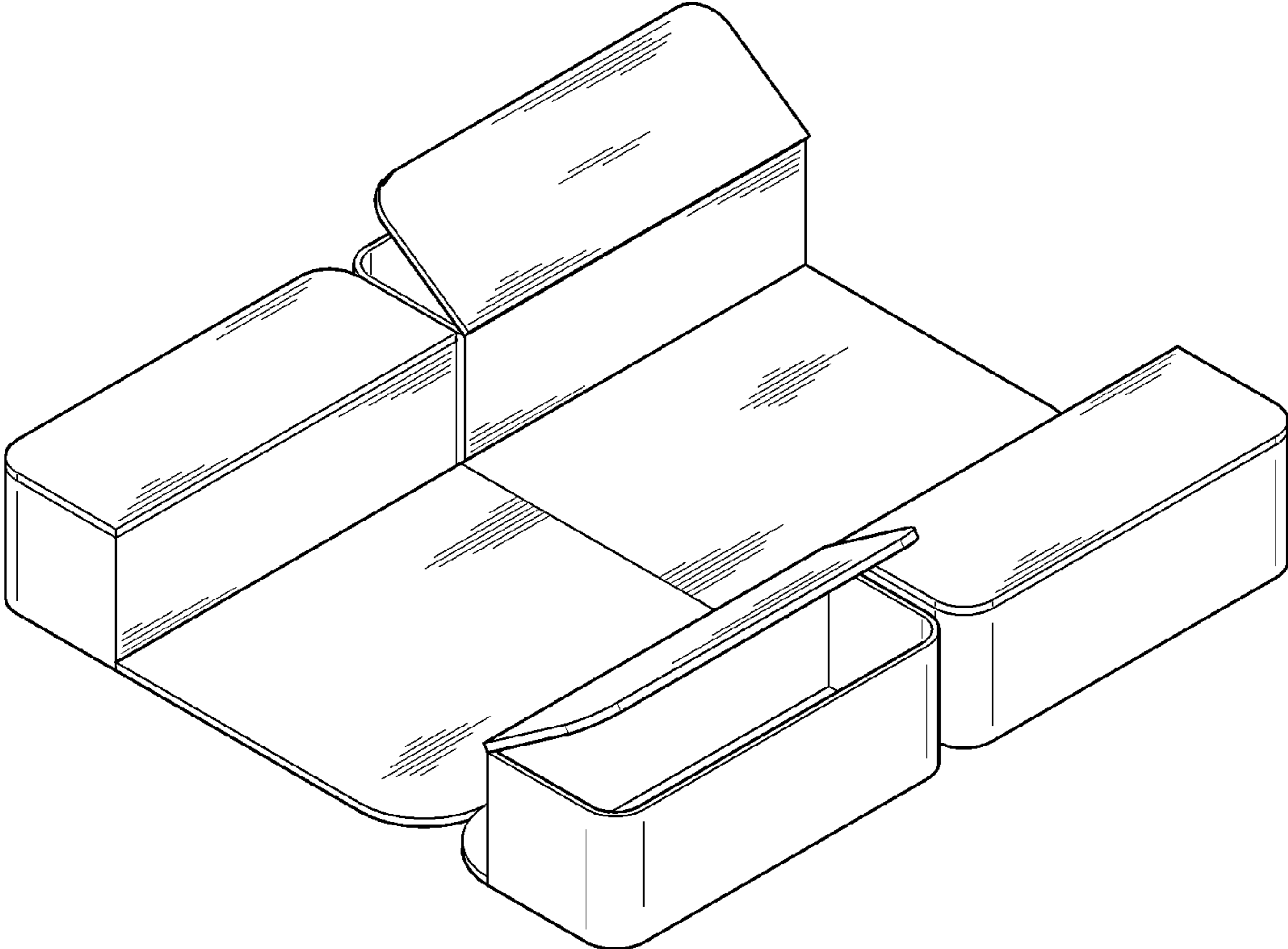


FIG. 1



FIG. 2

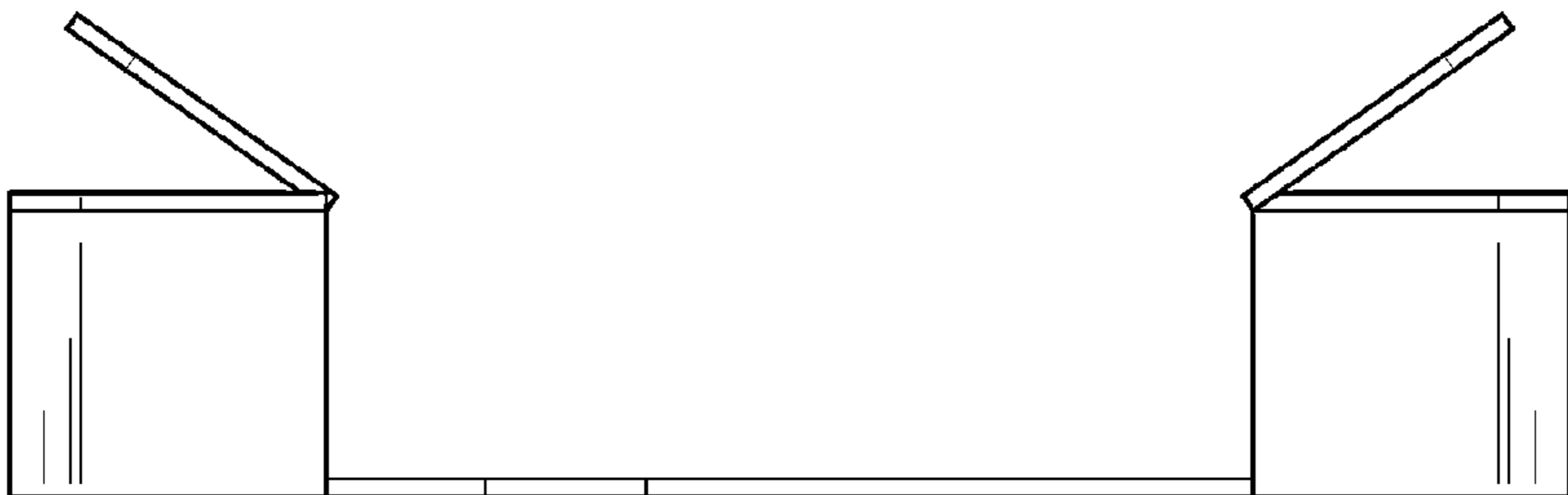
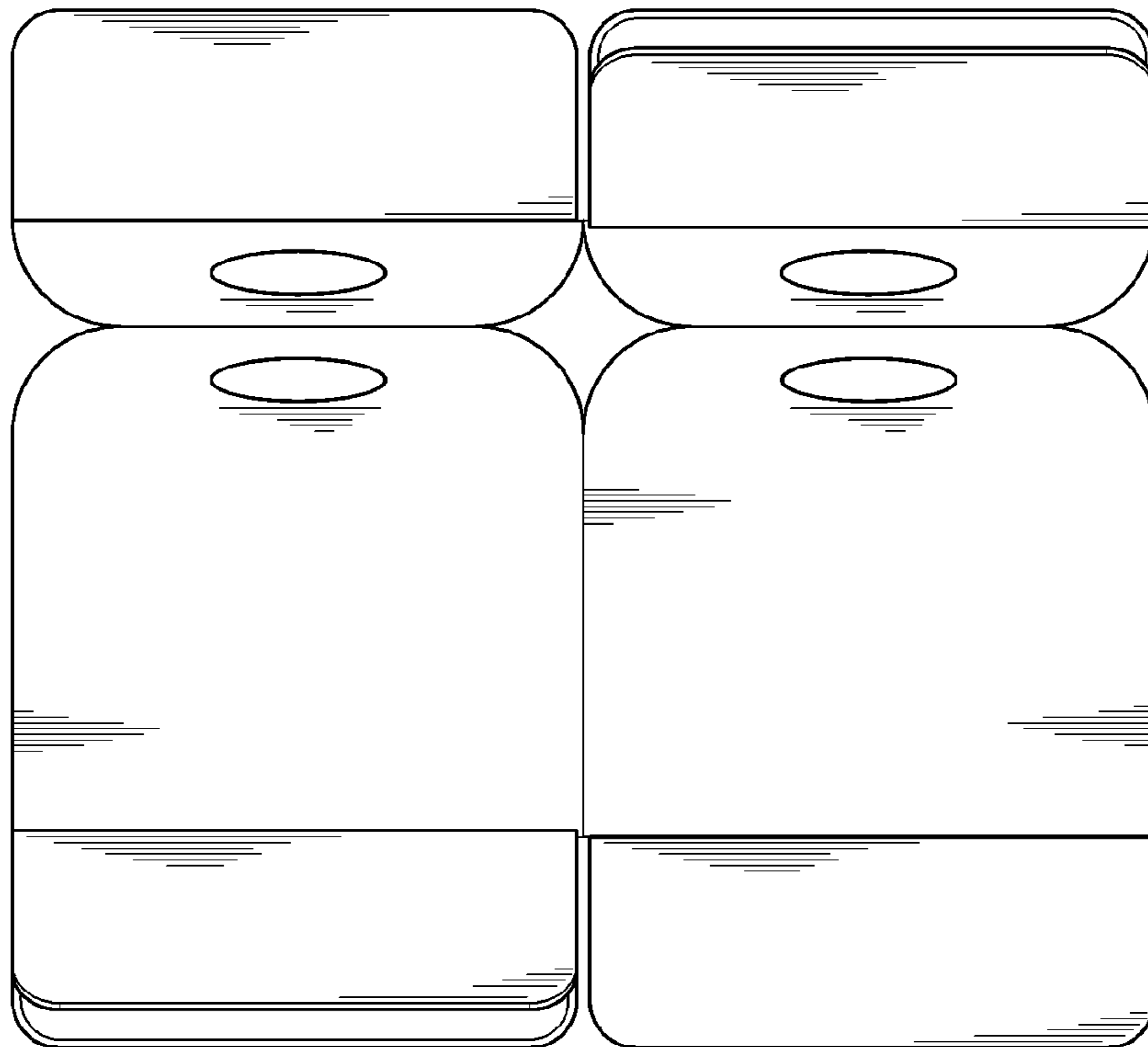
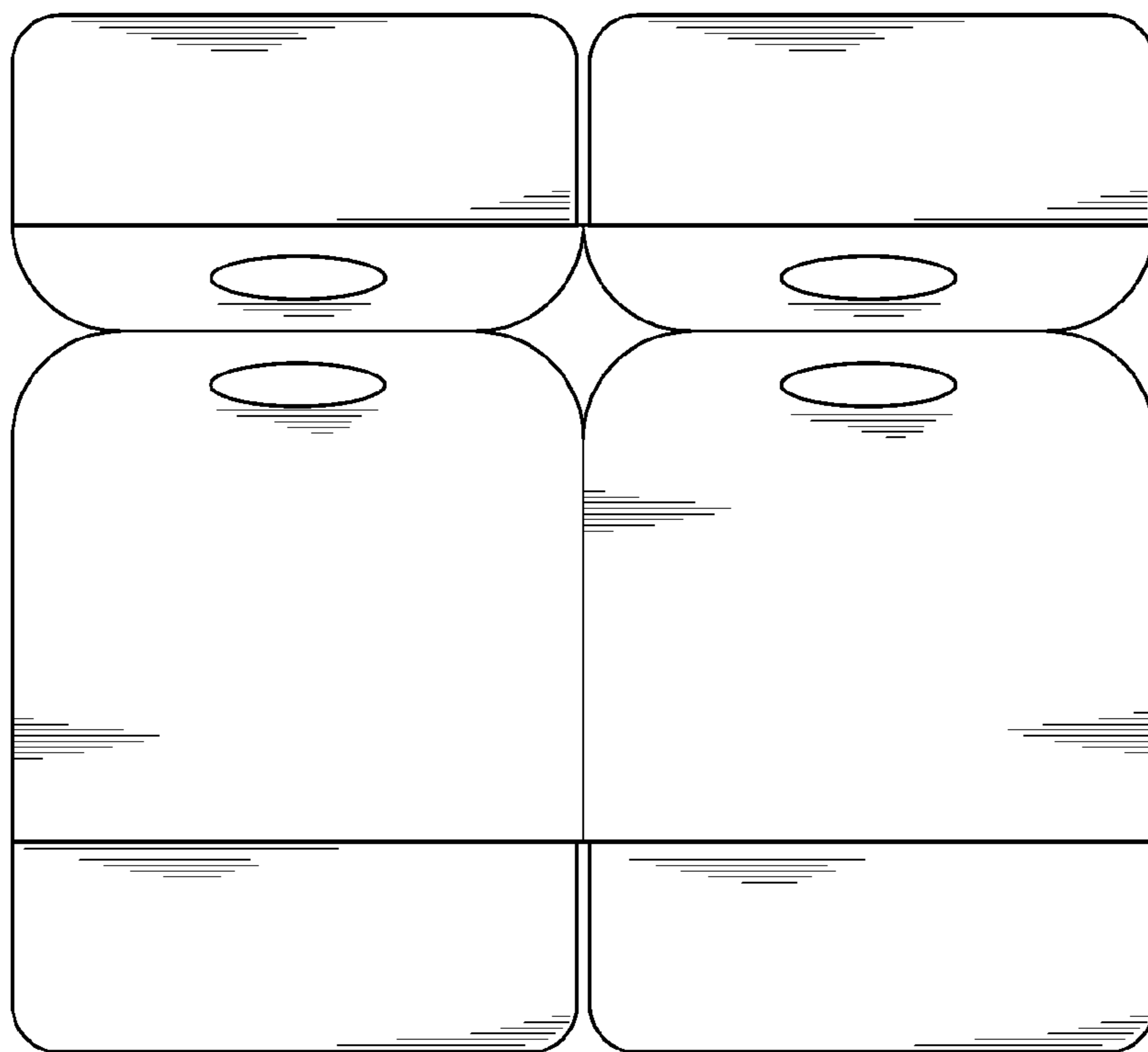


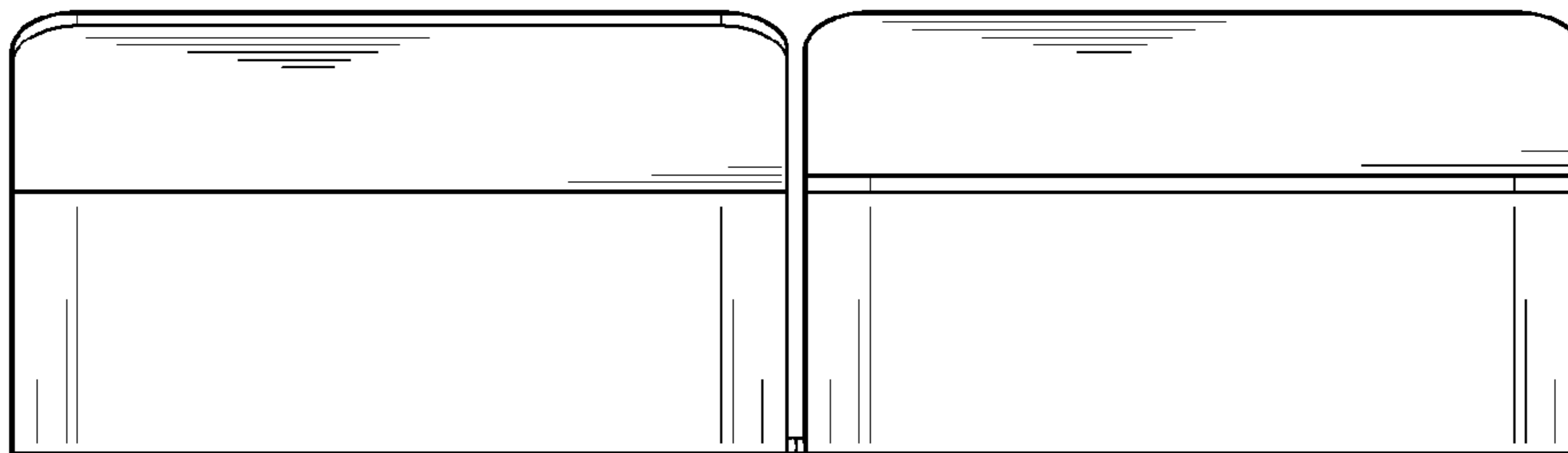
FIG. 3



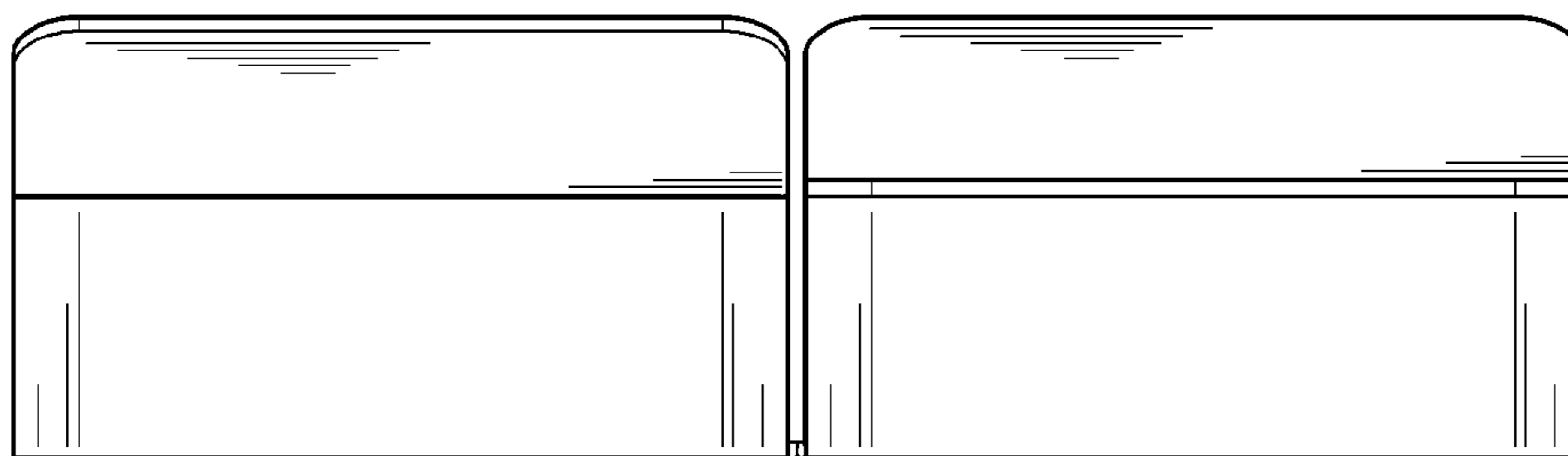
**FIG. 4**



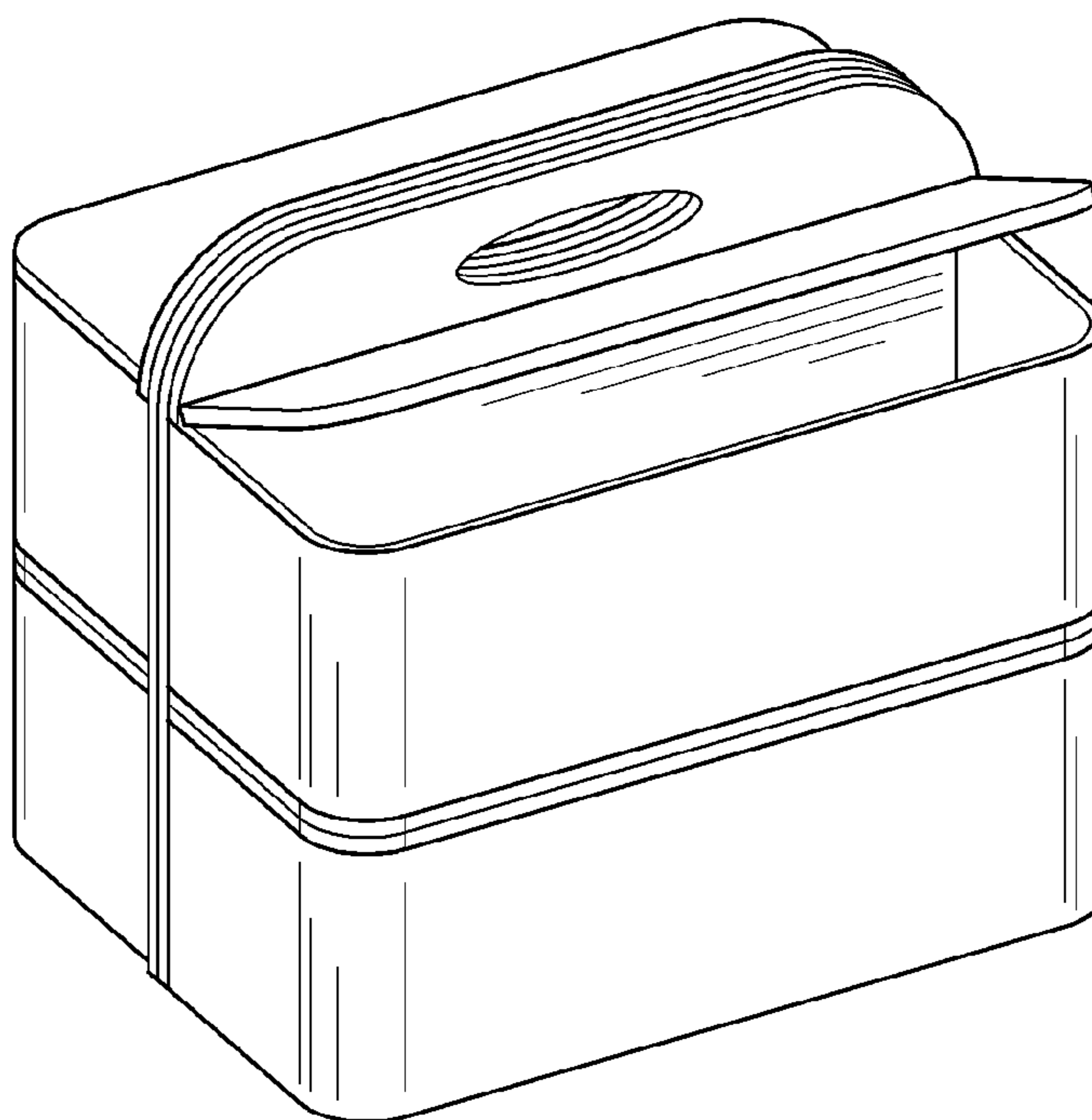
**FIG. 5**



**FIG. 6**



**FIG. 7**



**FIG. 8**