



US00D729519S

(12) **United States Design Patent**
Clough et al.

(10) **Patent No.:** **US D729,519 S**
(45) **Date of Patent:** **** May 19, 2015**

- (54) **BAG WITH SUPPORT WHEELS**
- (71) Applicant: **DIAMOND BASEBALL COMPANY, INC.**, Santa Ana, CA (US)
- (72) Inventors: **Craig Clough**, Garden Grove, CA (US);
David Pherrin, San Clemente, CA (US)
- (73) Assignee: **Diamond Baseball Company, Inc.**,
Santa Ana, CA (US)

(**) Term: **14 Years**
(21) Appl. No.: **29/490,333**

(22) Filed: **May 8, 2014**

(51) **LOC (10) Cl.** **03-01**

(52) **U.S. Cl.**
USPC **D3/279; D3/289; D3/301**

(58) **Field of Classification Search**
CPC **A45C 7/00; A45C 5/14; A45C 13/28;**
A45C 5/03
USPC **D3/273, 276, 279, 289, 301, 283, 272,**
D3/278, 274, 281, 321, 902, 292, 232;
190/18 A, 100-127; 206/286-287.1;
D34/25
See application file for complete search history.

(56) **References Cited**

U.S. PATENT DOCUMENTS

| | | | | | | |
|-----------|---|---|---------|--------------|-------|-----------|
| 4,012,051 | A | * | 3/1977 | Embinder | | 280/47.19 |
| D319,346 | S | * | 8/1991 | Jessen | | D3/255 |
| D337,657 | S | * | 7/1993 | March et al. | | D3/272 |
| D402,458 | S | * | 12/1998 | Brooks | | D3/201 |
| D410,777 | S | * | 6/1999 | Pizzi et al. | | D3/279 |
| D465,649 | S | * | 11/2002 | Sharples | | D3/279 |

| | | | | | | |
|--------------|----|---|---------|------------------|-------|----------|
| D517,804 | S | * | 3/2006 | Davenport et al. | | D3/279 |
| D537,628 | S | * | 3/2007 | Teitloff et al. | | D3/258 |
| D607,207 | S | * | 1/2010 | Horiyama et al. | | D3/279 |
| D664,765 | S | * | 8/2012 | Saia | | D3/279 |
| 2002/0148743 | A1 | * | 10/2002 | Tong | | 206/288 |
| 2003/0062233 | A1 | * | 4/2003 | Sharples | | 190/111 |
| 2011/0083933 | A1 | * | 4/2011 | Engel | | 190/18 A |

* cited by examiner

Primary Examiner — Jennifer Rivard

Assistant Examiner — April Rivas

(74) *Attorney, Agent, or Firm* — Gordon Rees Scully
Mansukhani LLP

(57) **CLAIM**

The ornamental design for a bag with support wheels, substantially as shown and described.

DESCRIPTION

FIG. 1 is a perspective view of a bag with support wheels, showing the new design.

FIG. 2 is a front plan view of the design of FIG. 1.

FIG. 3 is a rear plan view of the design of FIG. 1.

FIG. 4 is a left-side plan view of the design of FIG. 1.

FIG. 5 is a right-side plan view of the design of FIG. 1.

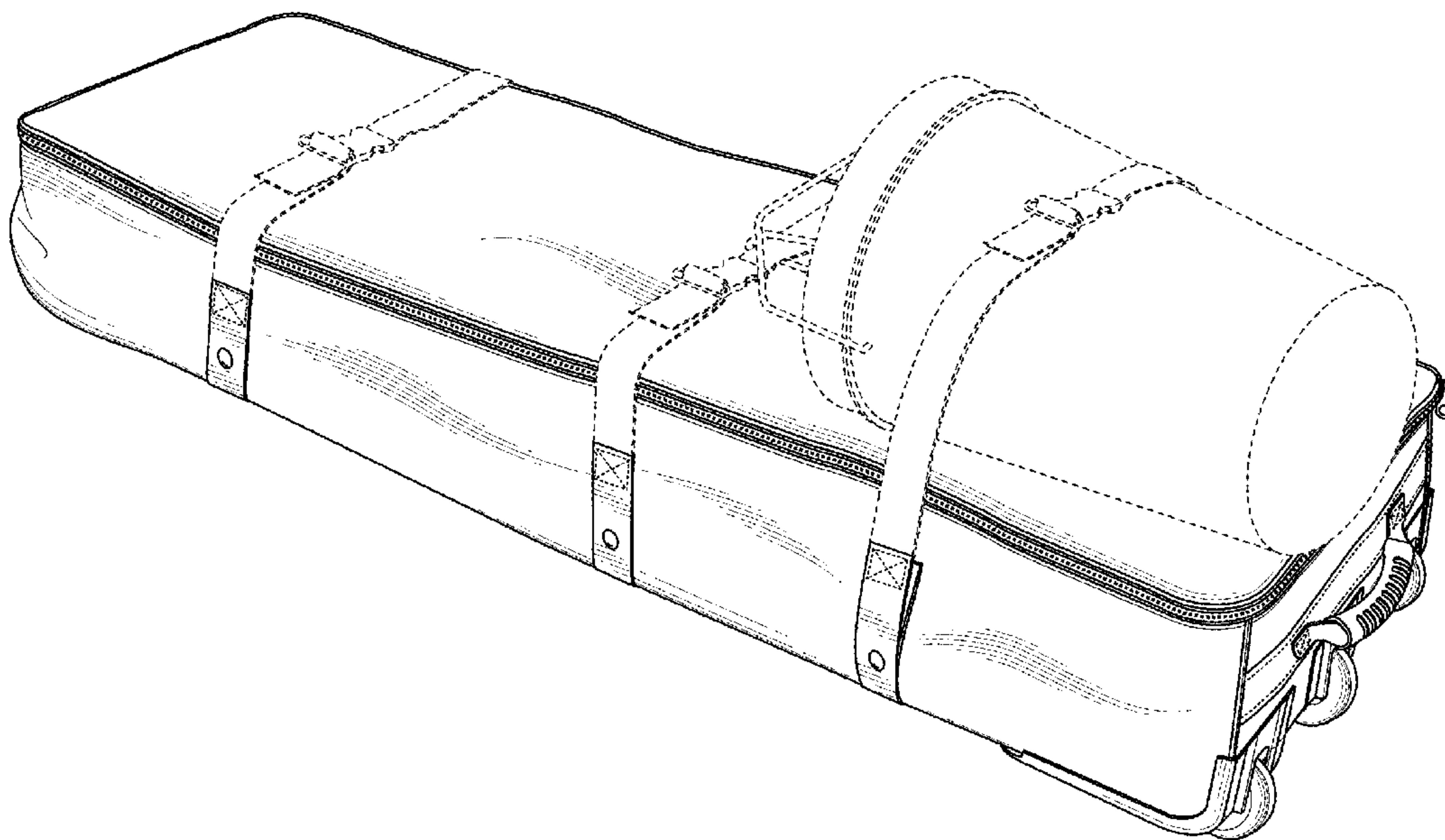
FIG. 6 is a top plan view of the design of FIG. 1; and, FIG. 7 is a bottom plan view of the design of FIG. 1.

The broken lines forming a bucket in FIG. 1 are for environmental purposes only and form no part of the claimed design.

The broken lines forming straps illustrate portions of the bag with support wheels and form no part of the claimed design.

The dotted lines on the surface of the bag with support wheels illustrate stitching and form no part of the claimed design.

1 Claim, 5 Drawing Sheets



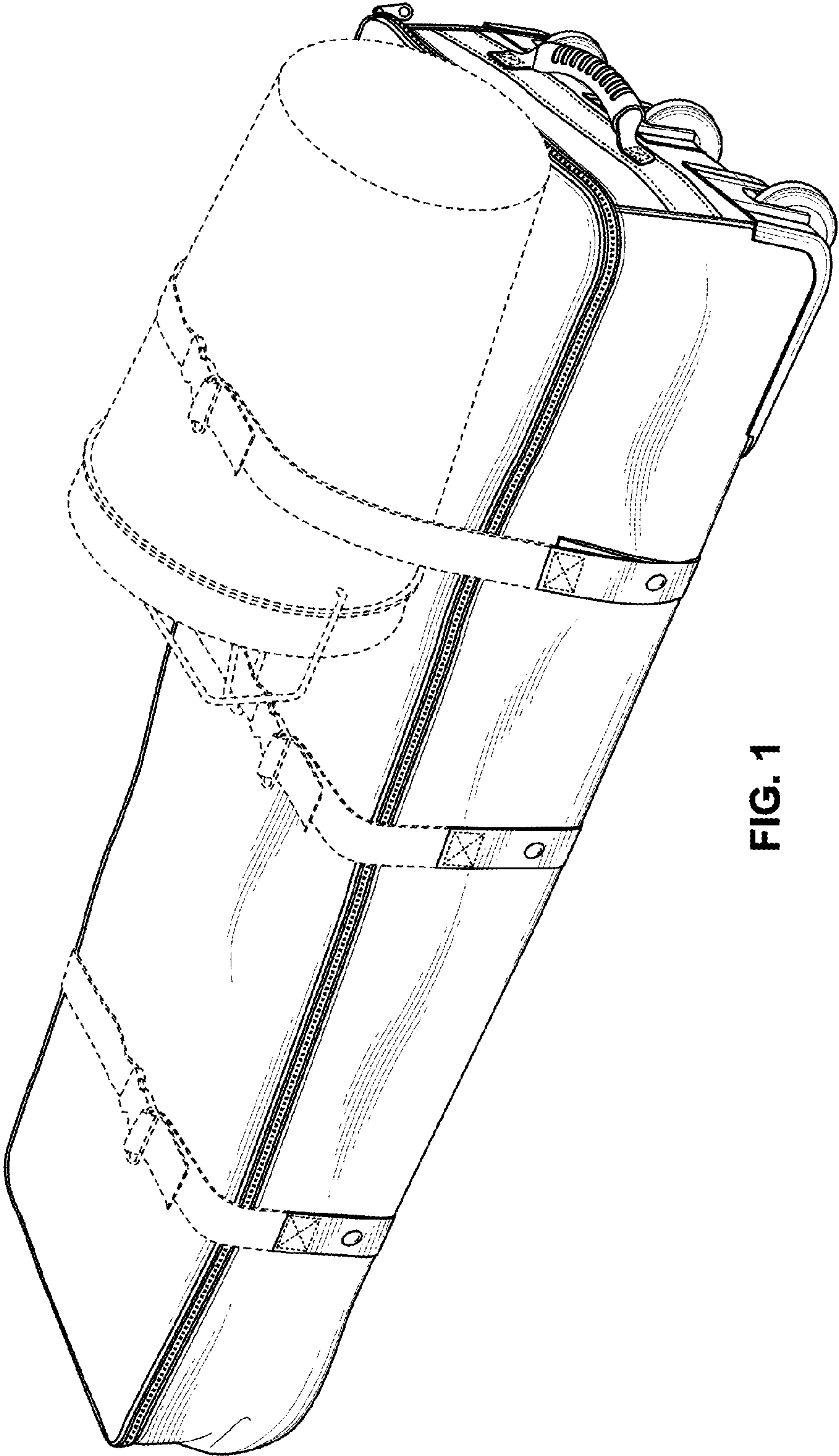


FIG. 1

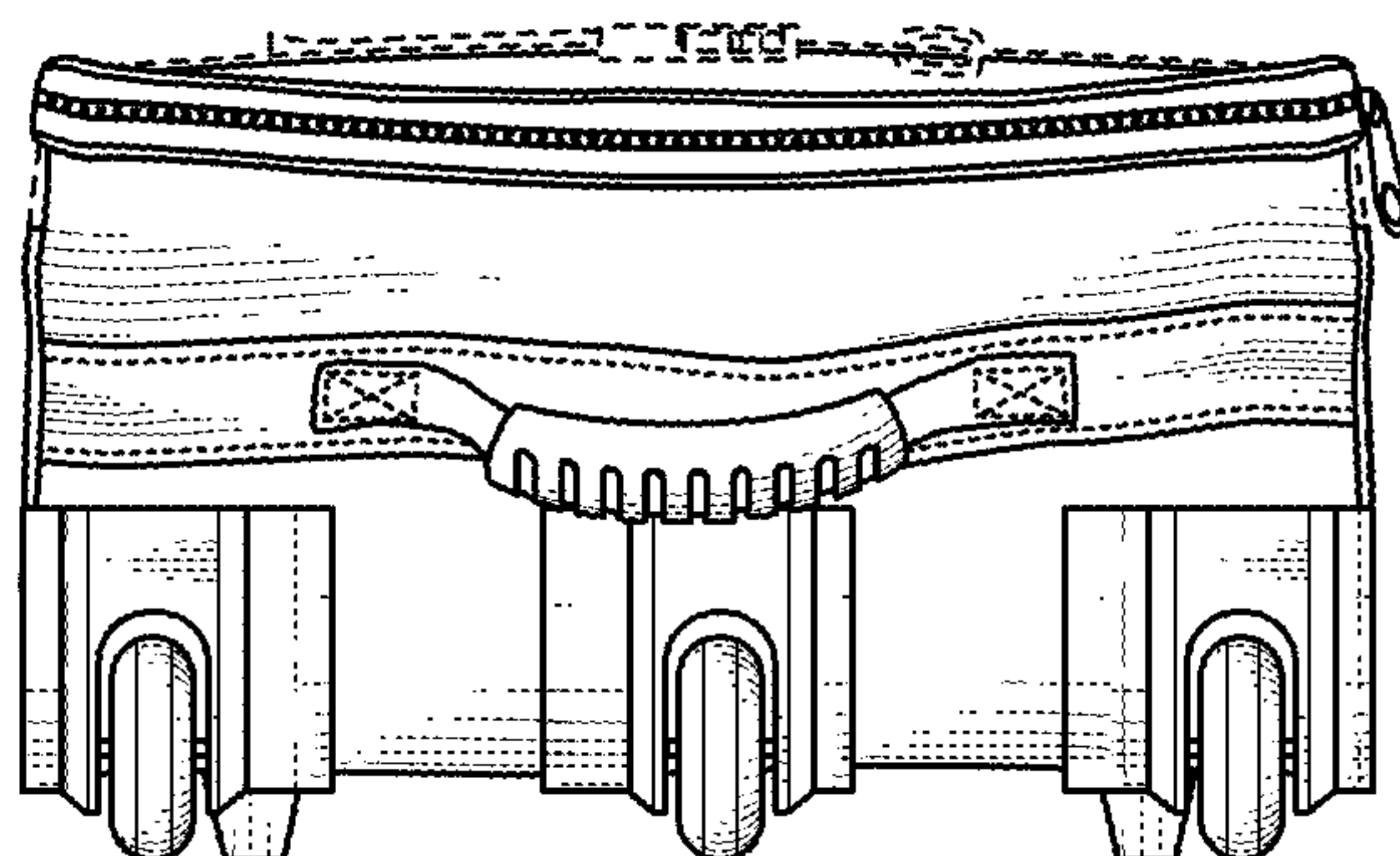


FIG. 2

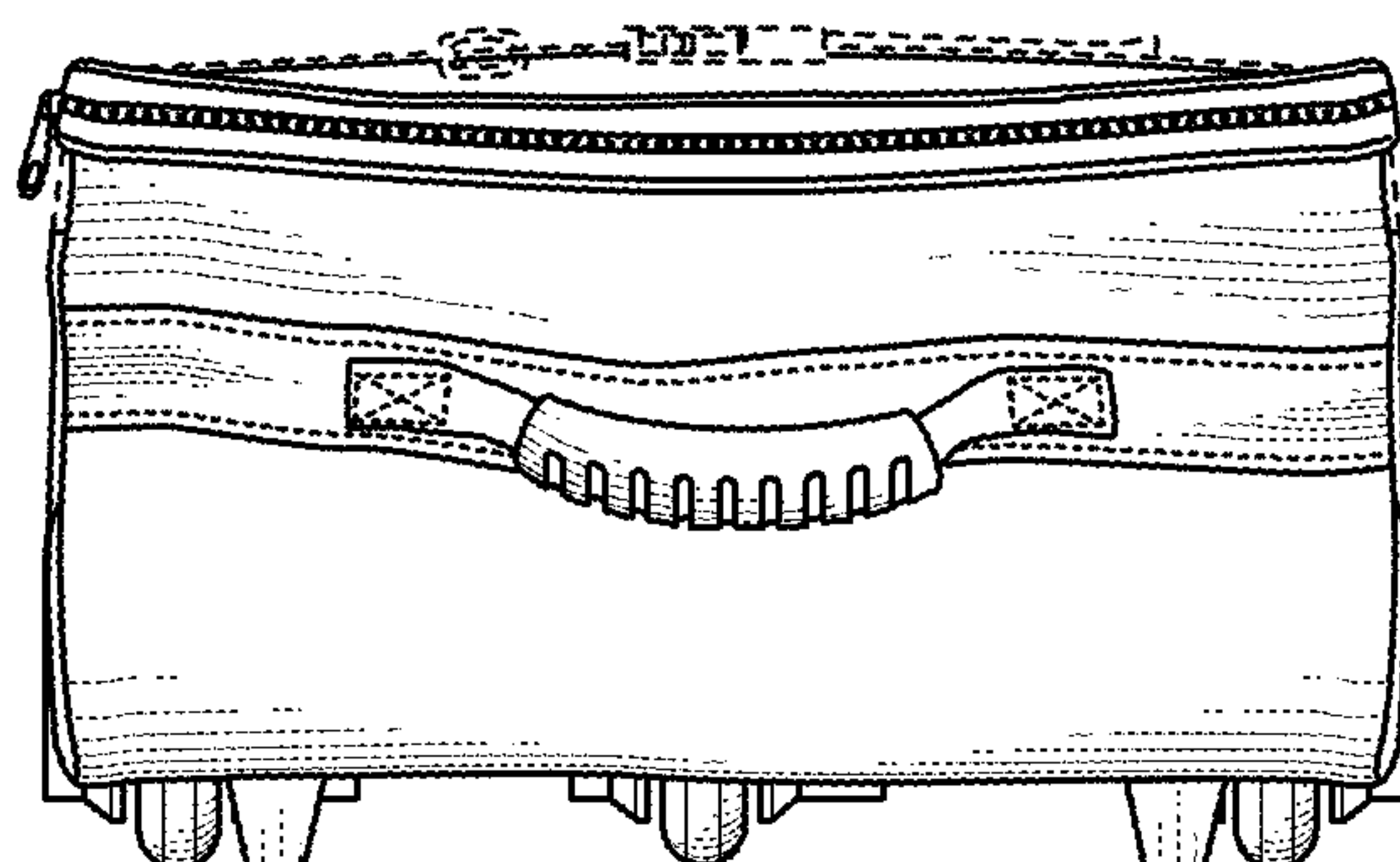


FIG. 3

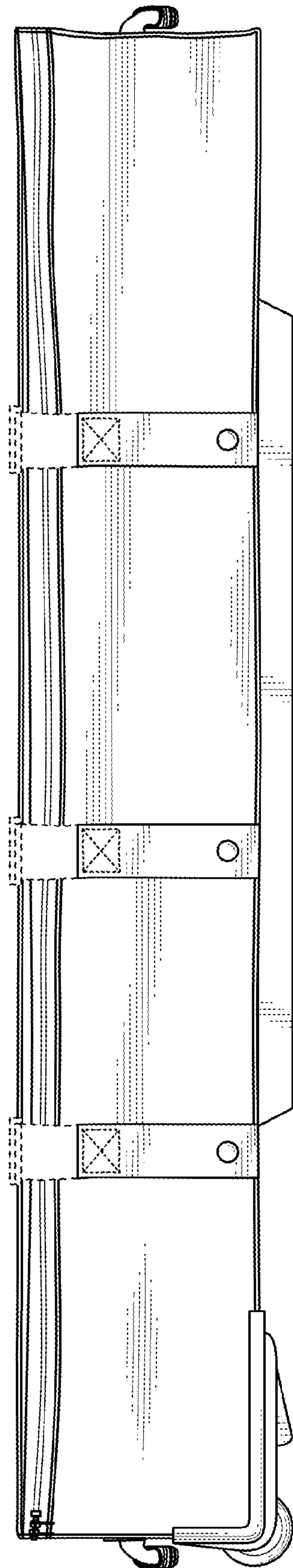


FIG. 4

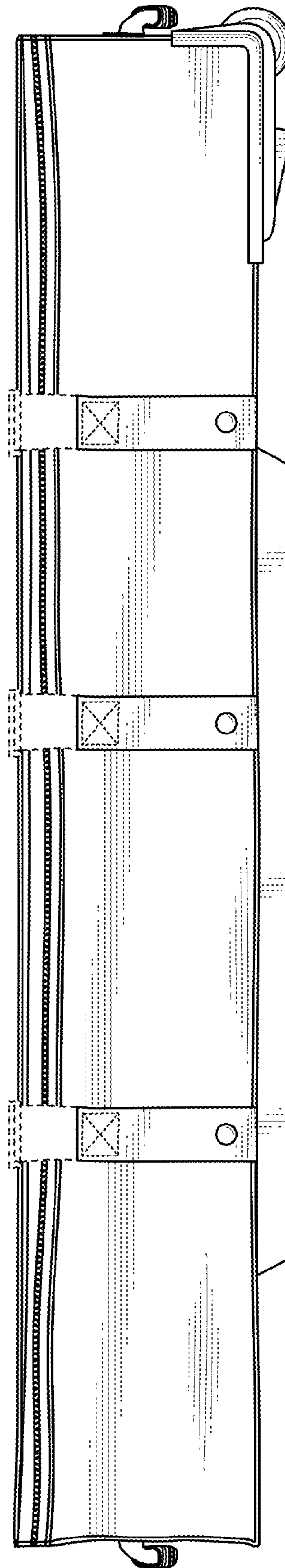


FIG. 5

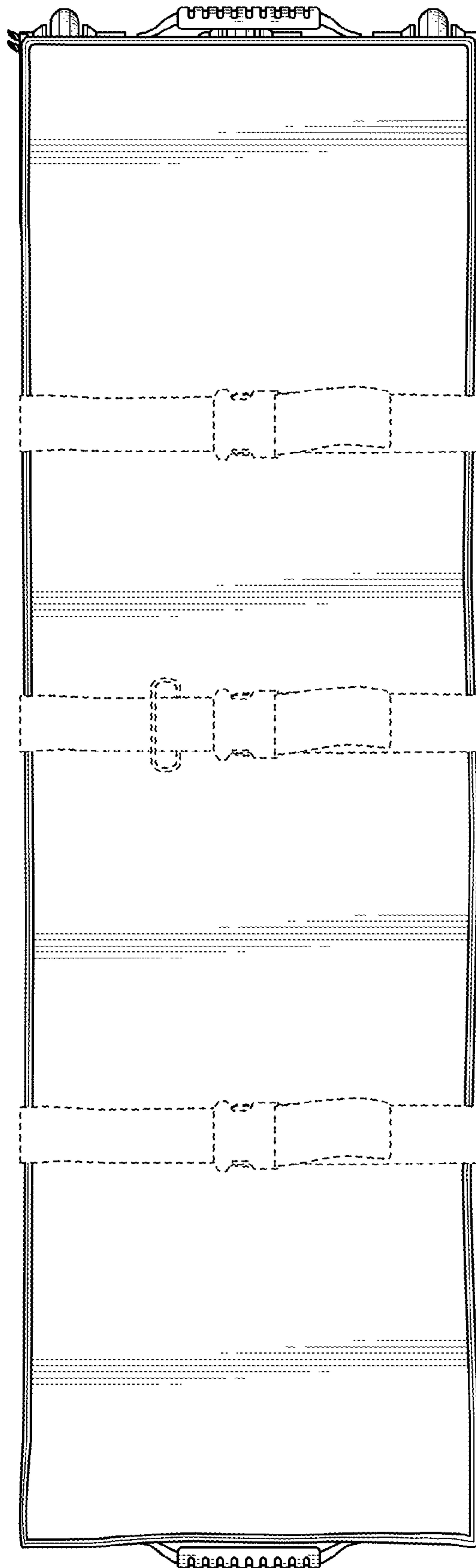


FIG. 6

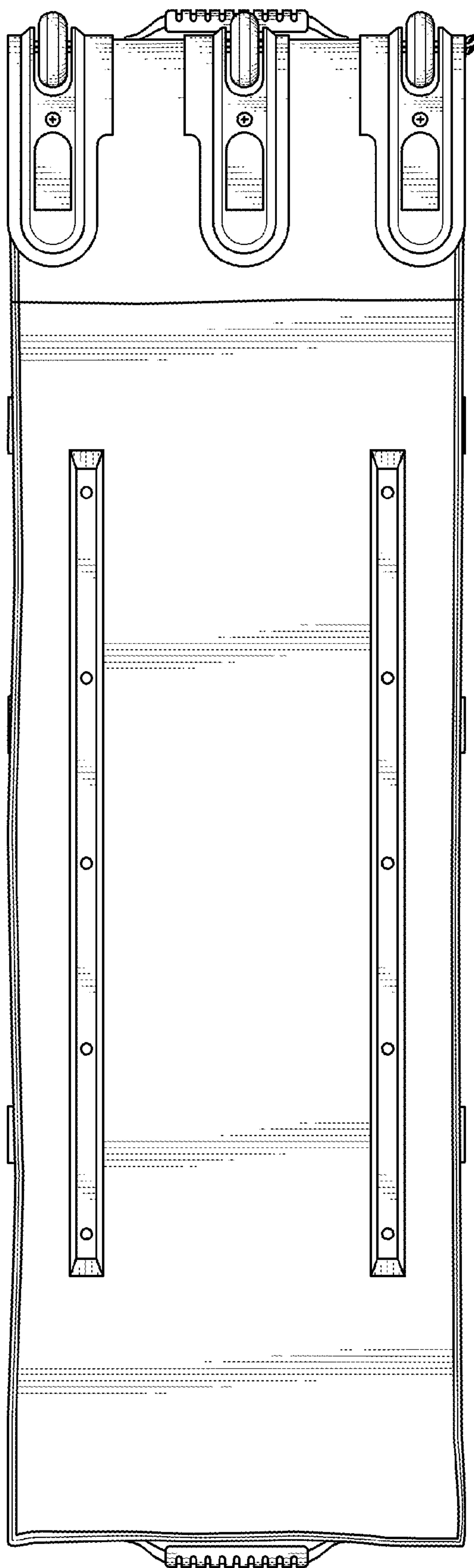


FIG. 7