



US00D729515S

(12) **United States Design Patent**
Slimane

(10) **Patent No.:** **US D729,515 S**

(45) **Date of Patent:** **** May 19, 2015**

(54) **CLUTCH**

(71) Applicant: **YVES SAINT LAURENT**, Paris (FR)

(72) Inventor: **Hedi Slimane**, Los Angeles, CA (US)

(73) Assignee: **YVES SAINT LAURENT**, Paris (FR)

(**) Term: **14 Years**

(21) Appl. No.: **29/482,781**

(22) Filed: **Feb. 21, 2014**

(51) **LOC (10) Cl.** **03-01**

(52) **U.S. Cl.**
USPC **D3/242**; D3/294

(58) **Field of Classification Search**
USPC D3/273, 276, 280, 282, 283, 284, 286,
D3/288, 292, 294, 295, 901, 903, 905, 302,
D3/306, 304, 272, 232-246, 247; 206/503,
206/207, 419, 505, 507, 511, 518, 559, 509,
206/506, 373, 501, 823; 220/23.86, 373,
220/553, 759, 506, 802, 822, 4.25;
150/118-123; 190/19

See application file for complete search history.

(56) **References Cited**

U.S. PATENT DOCUMENTS

D90,721 S *	9/1933	Lewis	D3/274
D135,358 S *	3/1943	Botham	D3/274
D170,958 S *	12/1953	Aberman	D3/242
D179,224 S *	11/1956	Silverman	D3/242
D369,295 S *	4/1996	Kobari et al.	D9/423
D415,893 S *	11/1999	Inbert	D3/243
D418,978 S *	1/2000	Pennoyer, Jr.	D3/273

D467,428 S *	12/2002	Wolf	D3/291
D515,809 S *	2/2006	Perella et al.	D3/273
D548,969 S *	8/2007	Bramley	D3/294
D577,196 S *	9/2008	Hayden	D3/286
D616,645 S *	6/2010	Bernsohn	D3/232
D619,810 S *	7/2010	Huang	D3/276
D655,583 S *	3/2012	Palazzolo	D7/709
D657,915 S *	4/2012	Lai	D28/83
D677,463 S *	3/2013	Cenzano et al.	D3/272

* cited by examiner

Primary Examiner — Jennifer Rivard

Assistant Examiner — April Rivas

(74) *Attorney, Agent, or Firm* — Donald J. Ranft; Kristen A. Mogavero

(57) **CLAIM**

The ornamental design for a clutch, as shown and described.

DESCRIPTION

FIG. 1 is a front, left, top perspective view of a clutch showing the clutch in a closed position according to my design;

FIG. 2 is a front view thereof;

FIG. 3 is a rear view thereof;

FIG. 4 is a left side view thereof;

FIG. 5 is a right side view thereof;

FIG. 6 is a top view thereof;

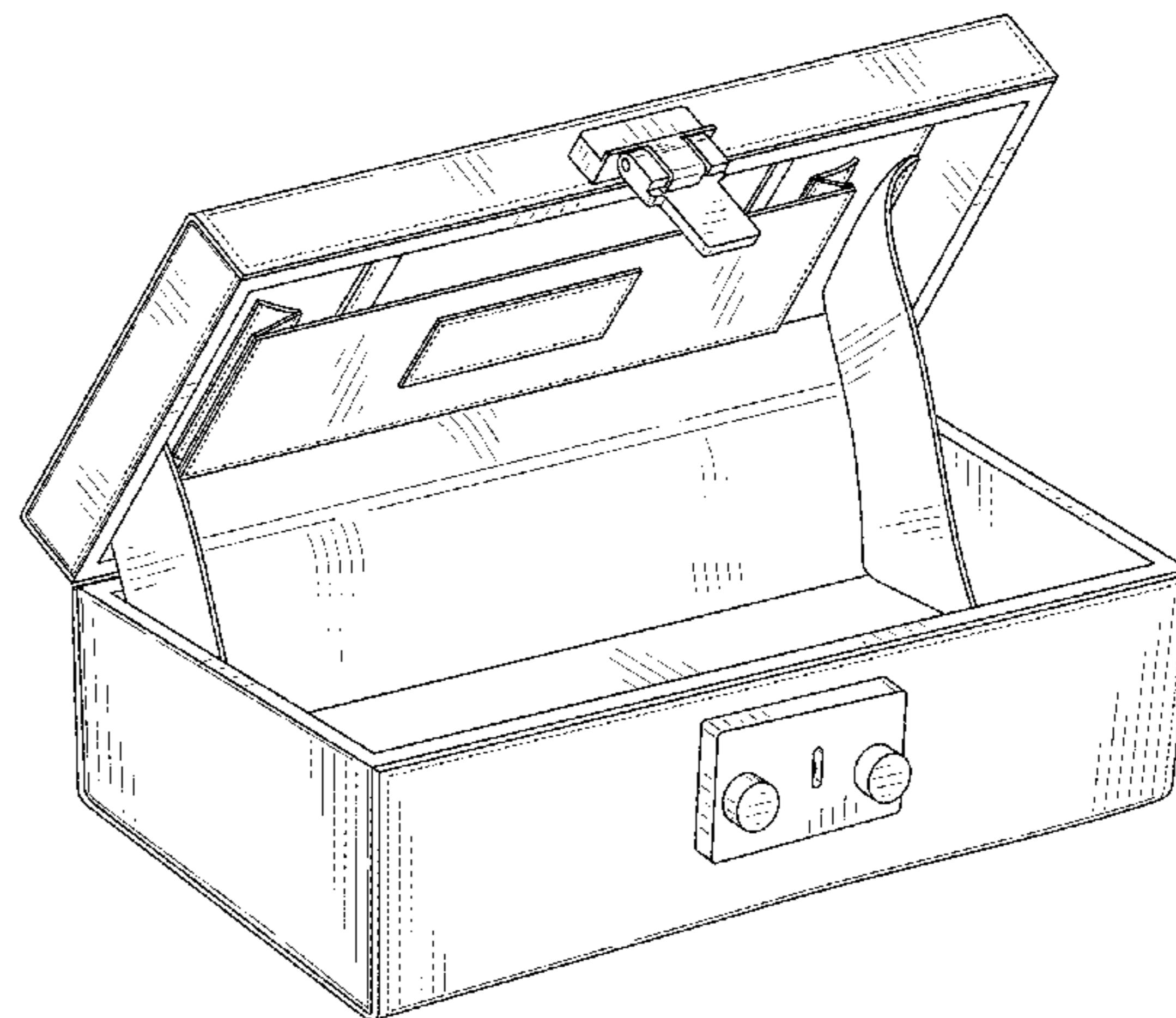
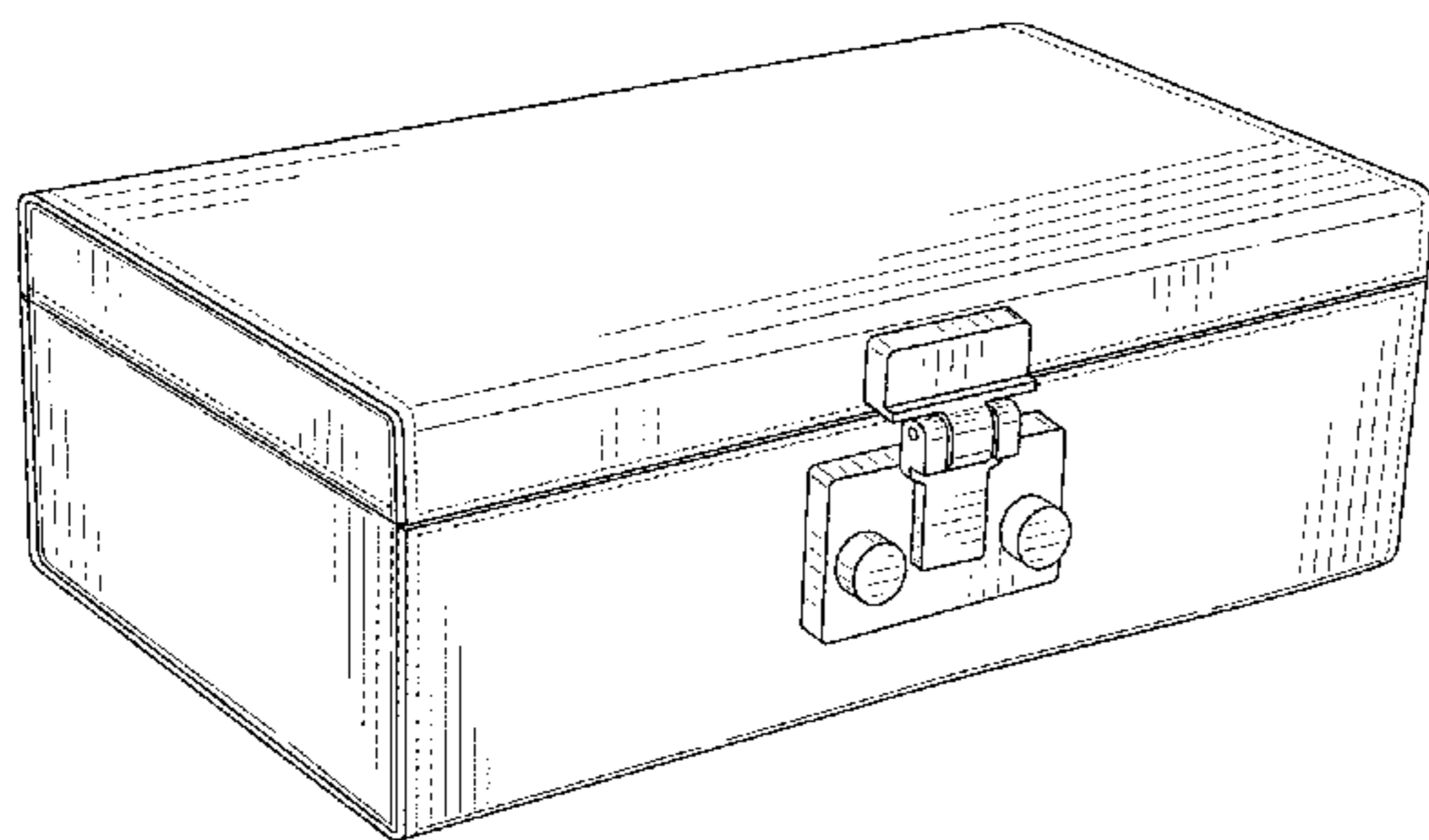
FIG. 7 is a bottom view thereof;

FIG. 8 is a front, left, top perspective view of a clutch showing the clutch in an open position according to my design thereof; and,

FIG. 9 is a top view showing the clutch in an open position thereof.

The dotted lines illustrate stitching and form part of the claimed design.

1 Claim, 7 Drawing Sheets



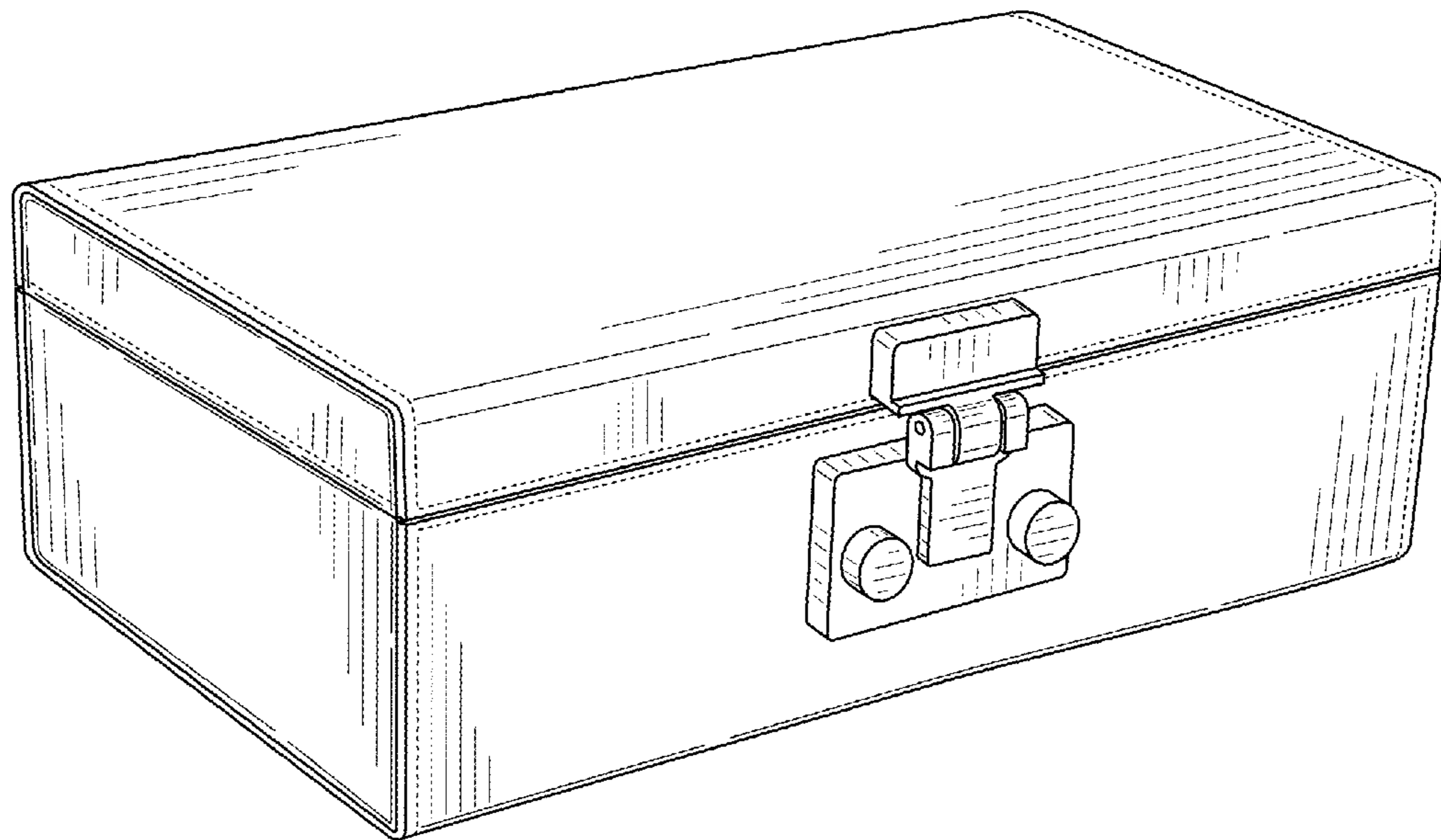


FIG. 1

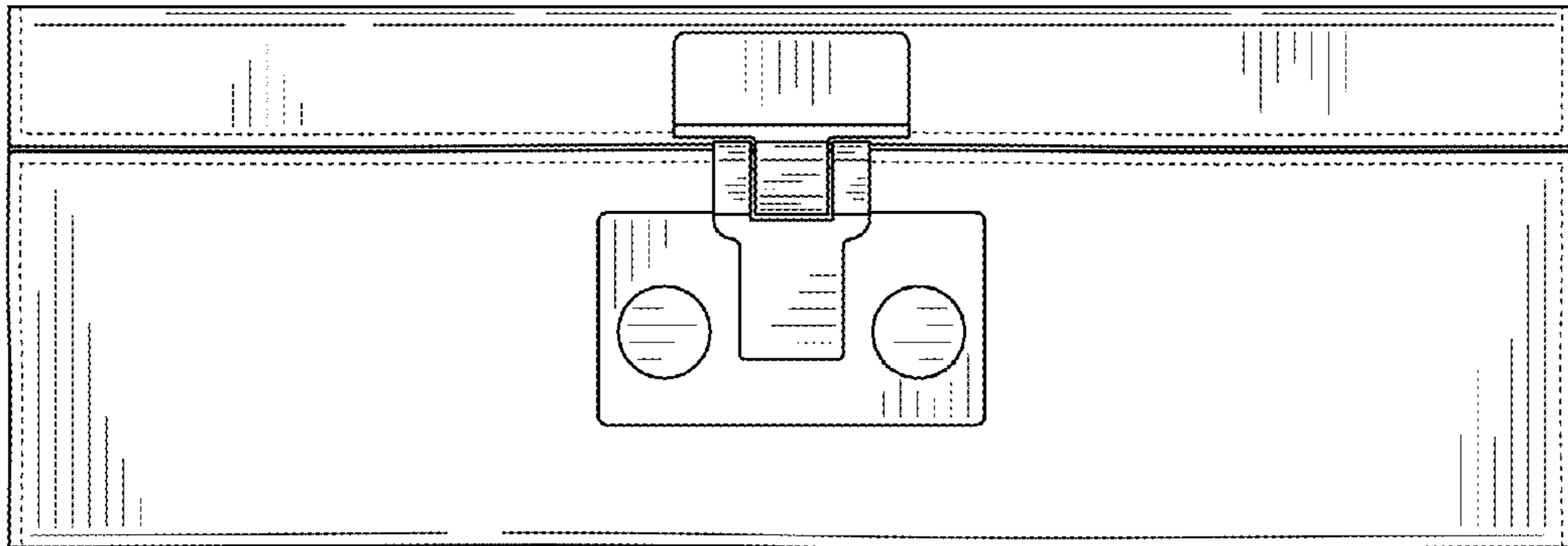


FIG. 2

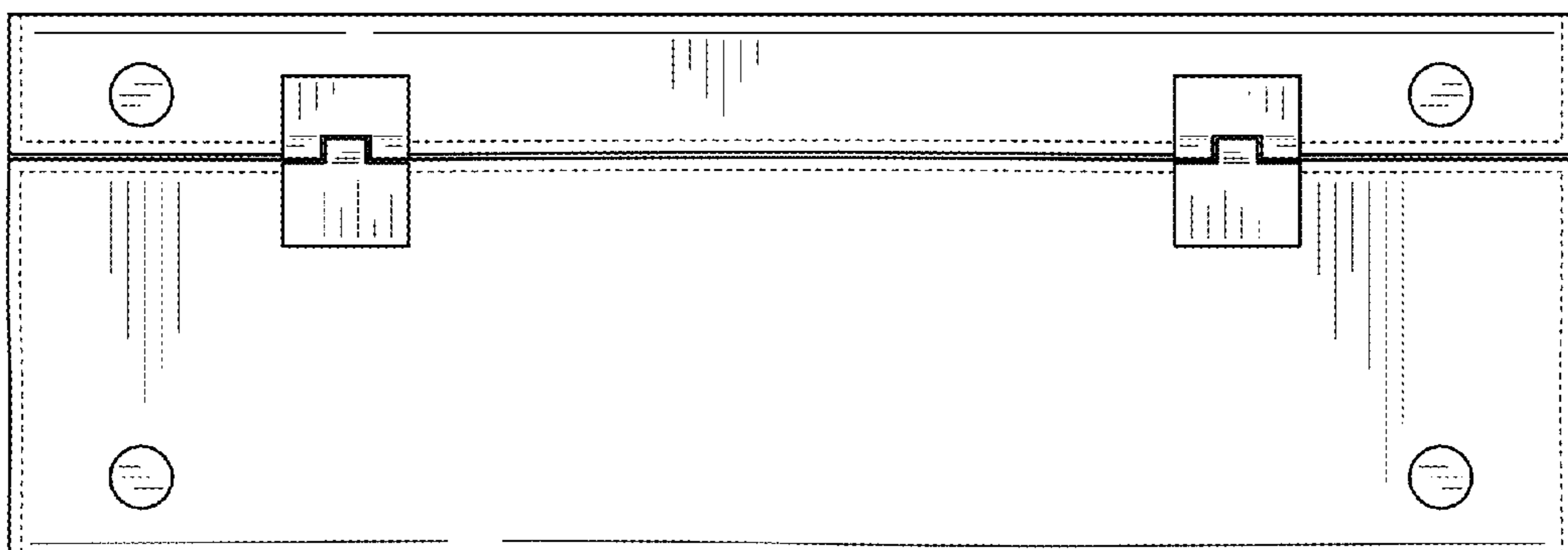


FIG. 3

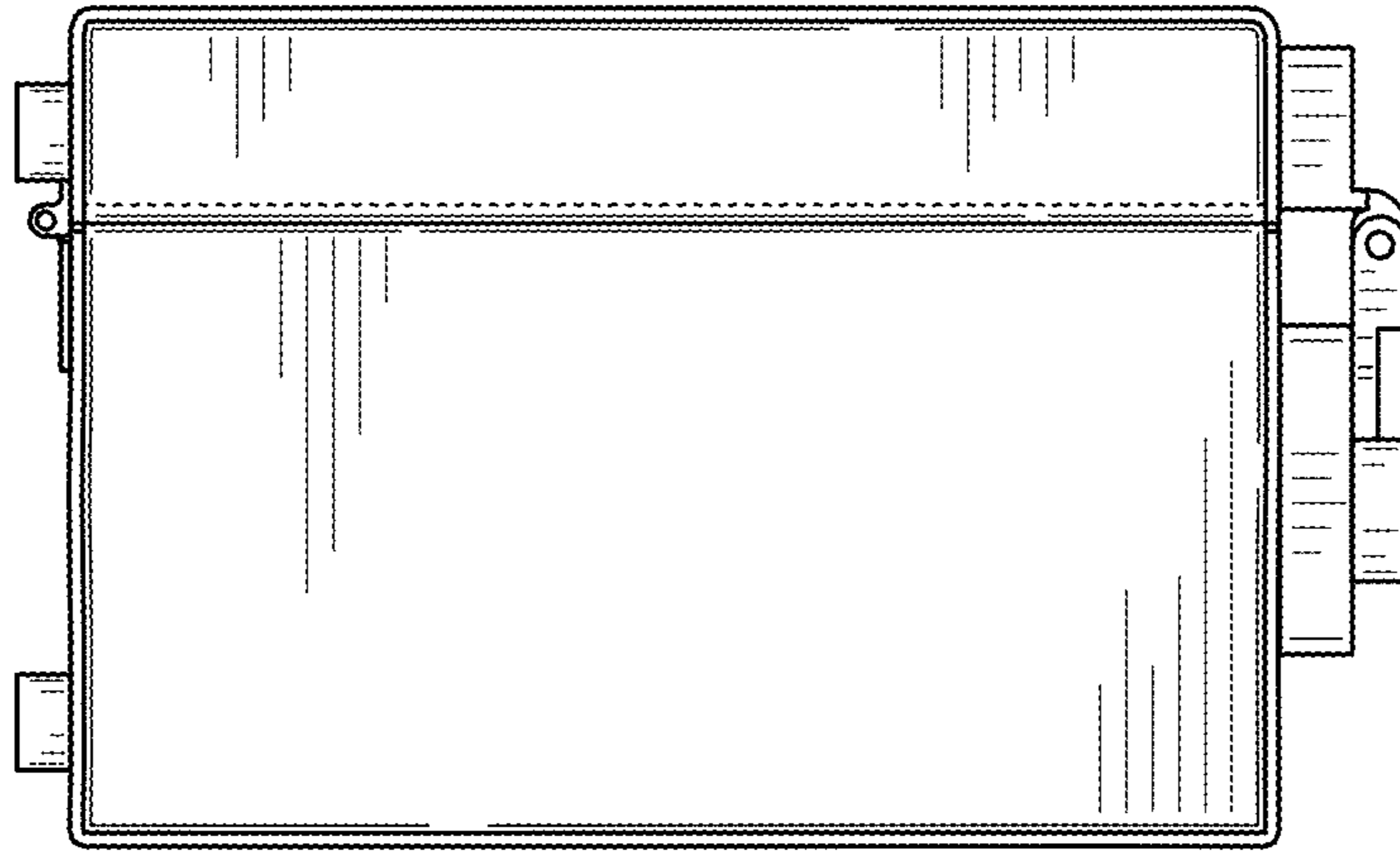


FIG. 4

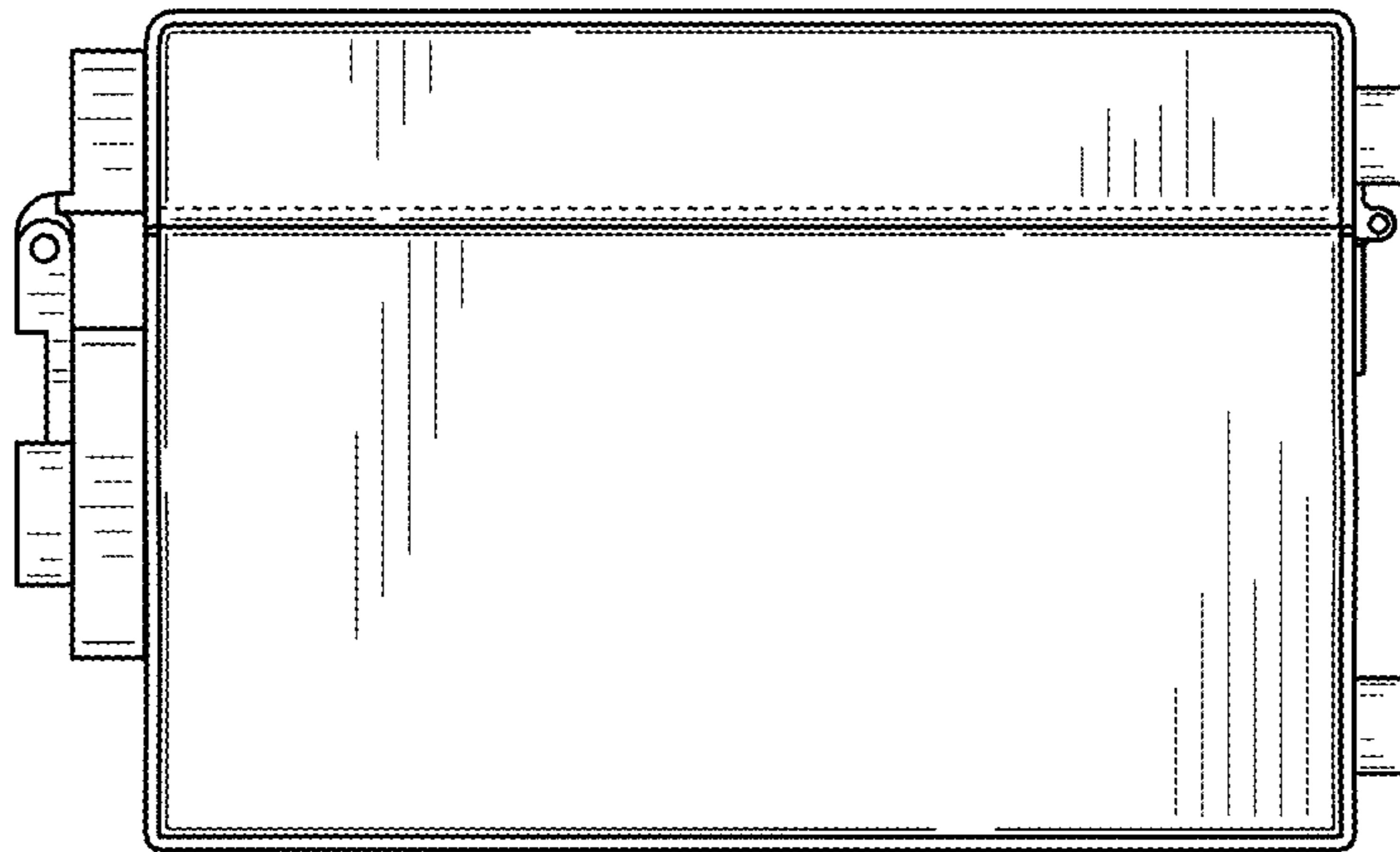


FIG. 5

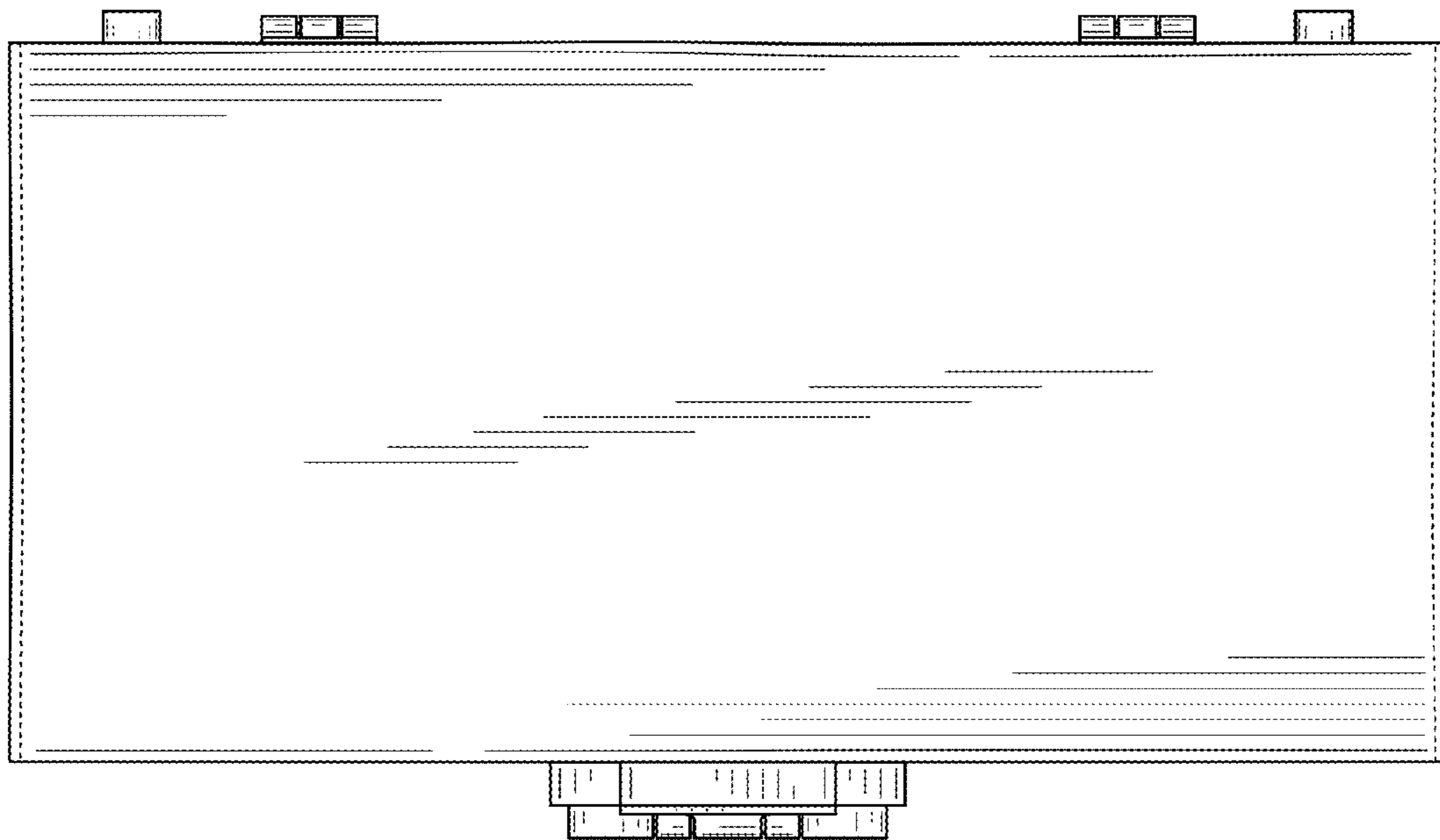


FIG. 6

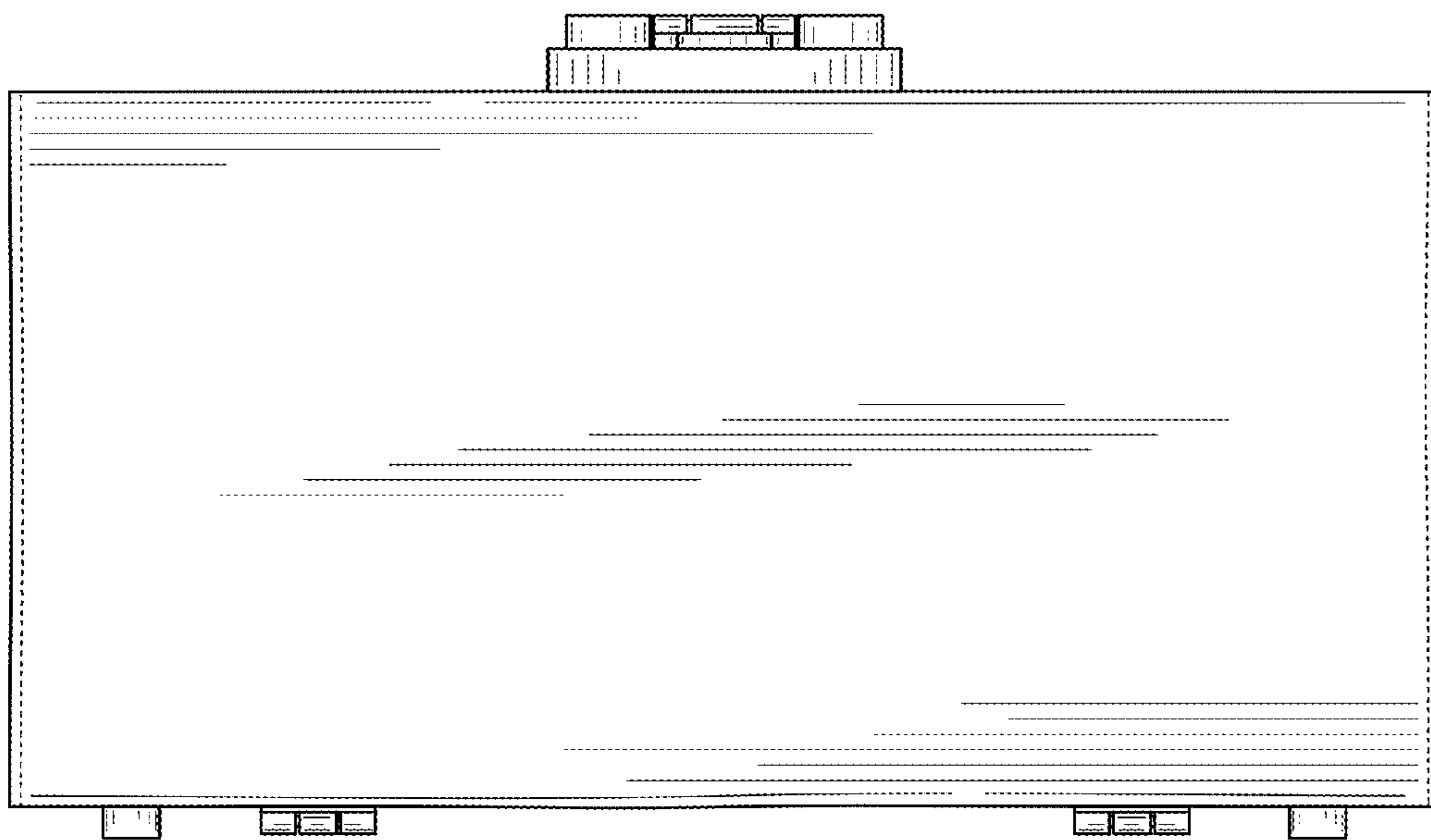


FIG. 7

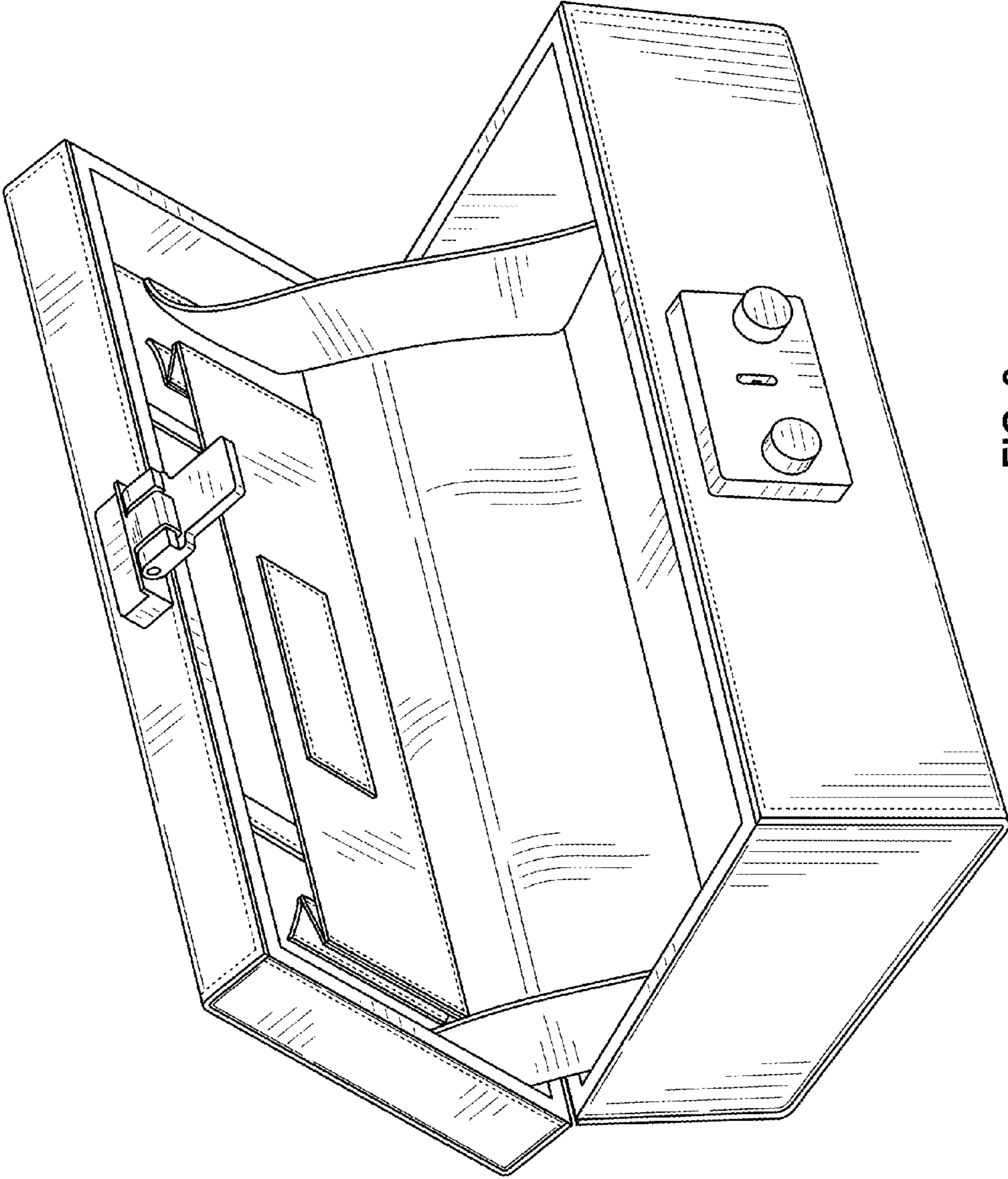


FIG. 8

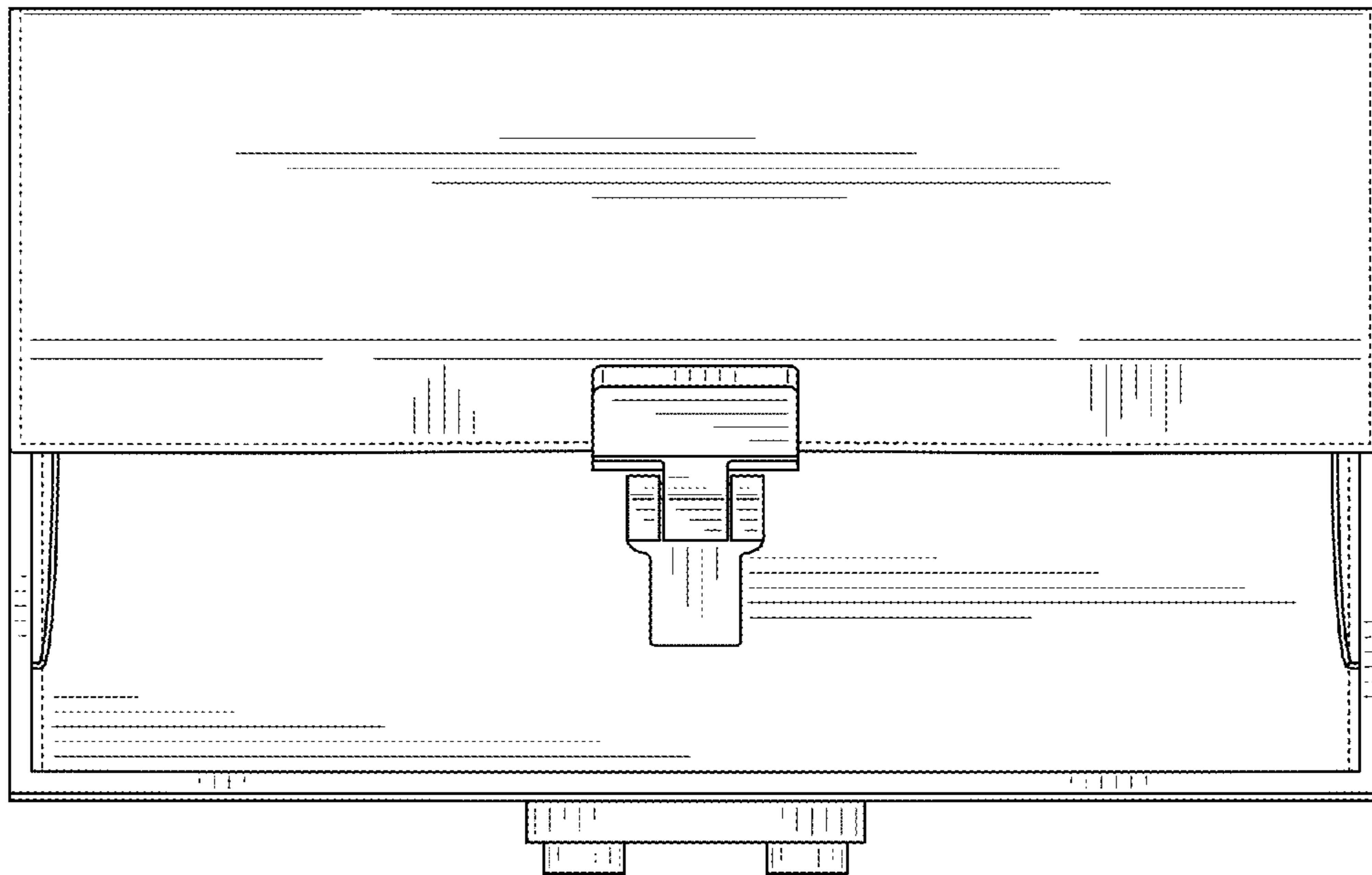


FIG. 9