



US00D729513S

(12) **United States Design Patent**
Jiang et al.

(10) **Patent No.:** **US D729,513 S**
(45) **Date of Patent:** **** May 19, 2015**

(54) **KEY HOLDER**

(71) Applicants: **Hong Jiang**, Westfield, NJ (US);
Benjamin Jiang Cymbala, Westfield,
NJ (US)

(72) Inventors: **Hong Jiang**, Westfield, NJ (US);
Benjamin Jiang Cymbala, Westfield,
NJ (US)

(**) Term: **14 Years**

(21) Appl. No.: **29/515,983**

(22) Filed: **Jan. 28, 2015**

Related U.S. Application Data

(62) Division of application No. 29/482,154, filed on Feb. 14, 2014, now Pat. No. Des. 725,373.

(51) **LOC (10) CL.** **03-01**

(52) **U.S. CL.**
USPC **D3/207**

(58) **Field of Classification Search**
CPC A45C 11/32; A47G 29/10; A44B 15/00;
F16B 45/06
USPC D11/1-2, 14, 26-29, 89-92, 44, 48, 81,
D11/99; 63/26-28, 32; D3/207-212; D8/16,
D8/38, 347, 348, 356, 18, 367; 70/456 B,
70/457, 458, 456 R; 206/37.1, 37;
D14/434, 435, 435.1, 436, 439, 480.3,
D14/480.1, 480.5, 480.7; D24/174, 173,
D24/480.3

See application file for complete search history.

(56) **References Cited**

U.S. PATENT DOCUMENTS

1,899,203 A * 2/1933 Labreche 7/151
D141,553 S * 6/1945 John D25/68
4,191,038 A 3/1980 Vaughn

D285,864 S 9/1986 Sakai
D444,685 S 7/2001 Shenkel et al.
D455,642 S * 4/2002 Kelleghan D8/367
D577,574 S 9/2008 Liang
D595,119 S * 6/2009 Kelleghan D8/356
D607,712 S 1/2010 Kelleghan
D608,184 S * 1/2010 Kelleghan D8/356
D624,306 S * 9/2010 Case D3/207
D624,307 S * 9/2010 Case D3/207
D626,393 S * 11/2010 Ormsbee D8/34
D639,046 S 6/2011 Ormsbee et al.
D646,556 S 10/2011 Kelleghan
D652,971 S 1/2012 Ormsbee et al.
D670,902 S 11/2012 McSweyn et al.
D698,625 S 2/2014 Liang

(Continued)

OTHER PUBLICATIONS

U.S. Appl. No. 29/482,154, filed Feb. 14, 2014, Jiang et al.

Primary Examiner — Ralf Seifert

(74) *Attorney, Agent, or Firm* — Fish & Richardson P.C.

(57) **CLAIM**

The ornamental design for a key holder, substantially as shown and described.

DESCRIPTION

FIG. 1 is a perspective view of a key holder showing a first embodiment of our new design.

FIG. 2 is a back view of the key holder shown in FIG. 1.

FIG. 3 is a front view of the key holder shown in FIG. 1.

FIG. 4 is a left view of the key holder shown in FIG. 1.

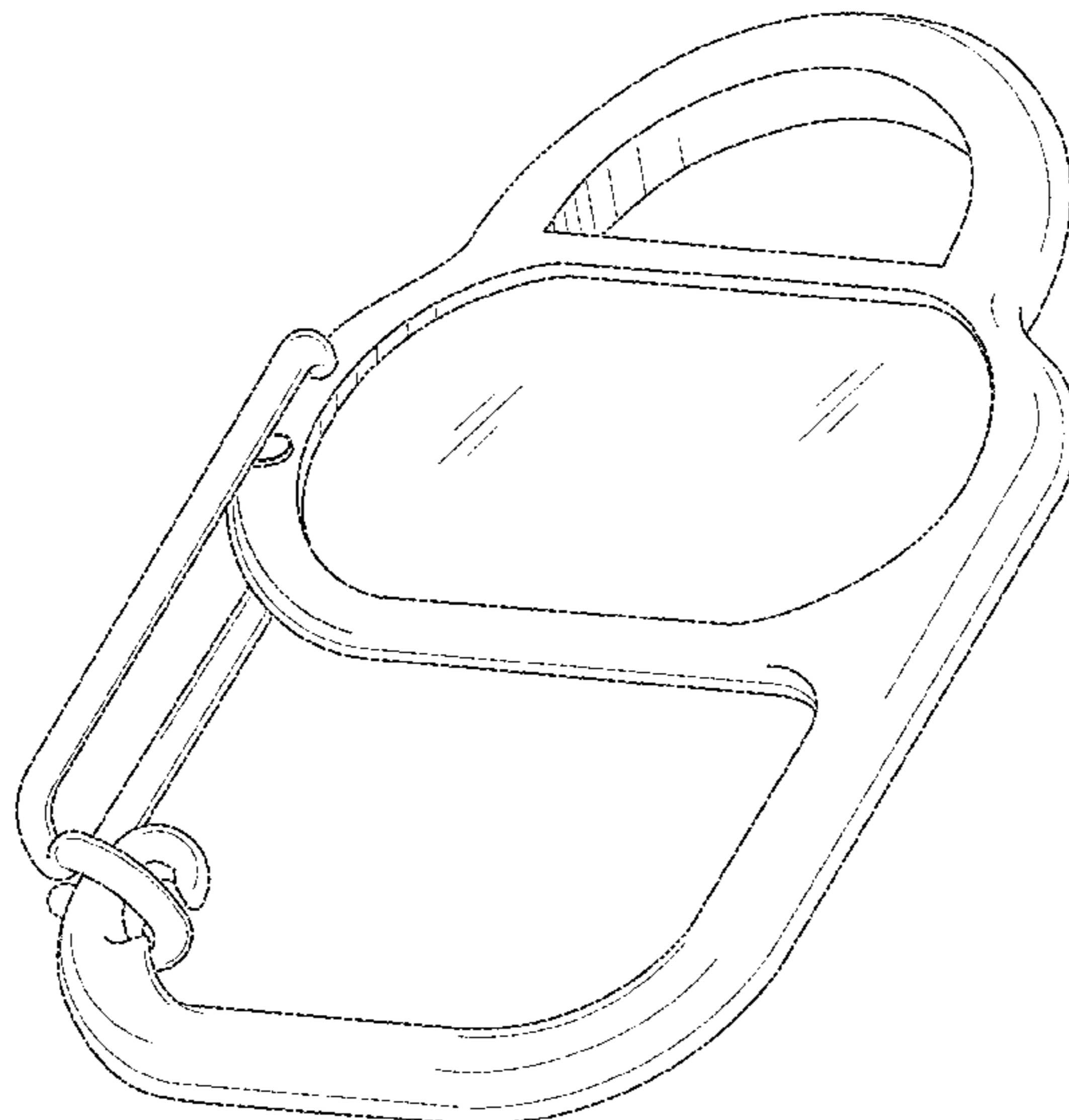
FIG. 5 is a right view of the key holder shown in FIG. 1.

FIG. 6 is a bottom view of the key holder shown in FIG. 1.

FIG. 7 is a top view of the key holder shown in FIG. 1; and,

FIG. 8 is a perspective view of a key holder showing a second embodiment of our new design.

1 Claim, 4 Drawing Sheets



US D729,513 S

Page 2

(56)

References Cited

U.S. PATENT DOCUMENTS

D698,626 S * 2/2014 Ormsbee et al. D8/356
D698,636 S 2/2014 Weinberg

D702,109 S 4/2014 Weinberg
D708,843 S 7/2014 Warner et al.
2013/0232741 A1 9/2013 Liang

* cited by examiner

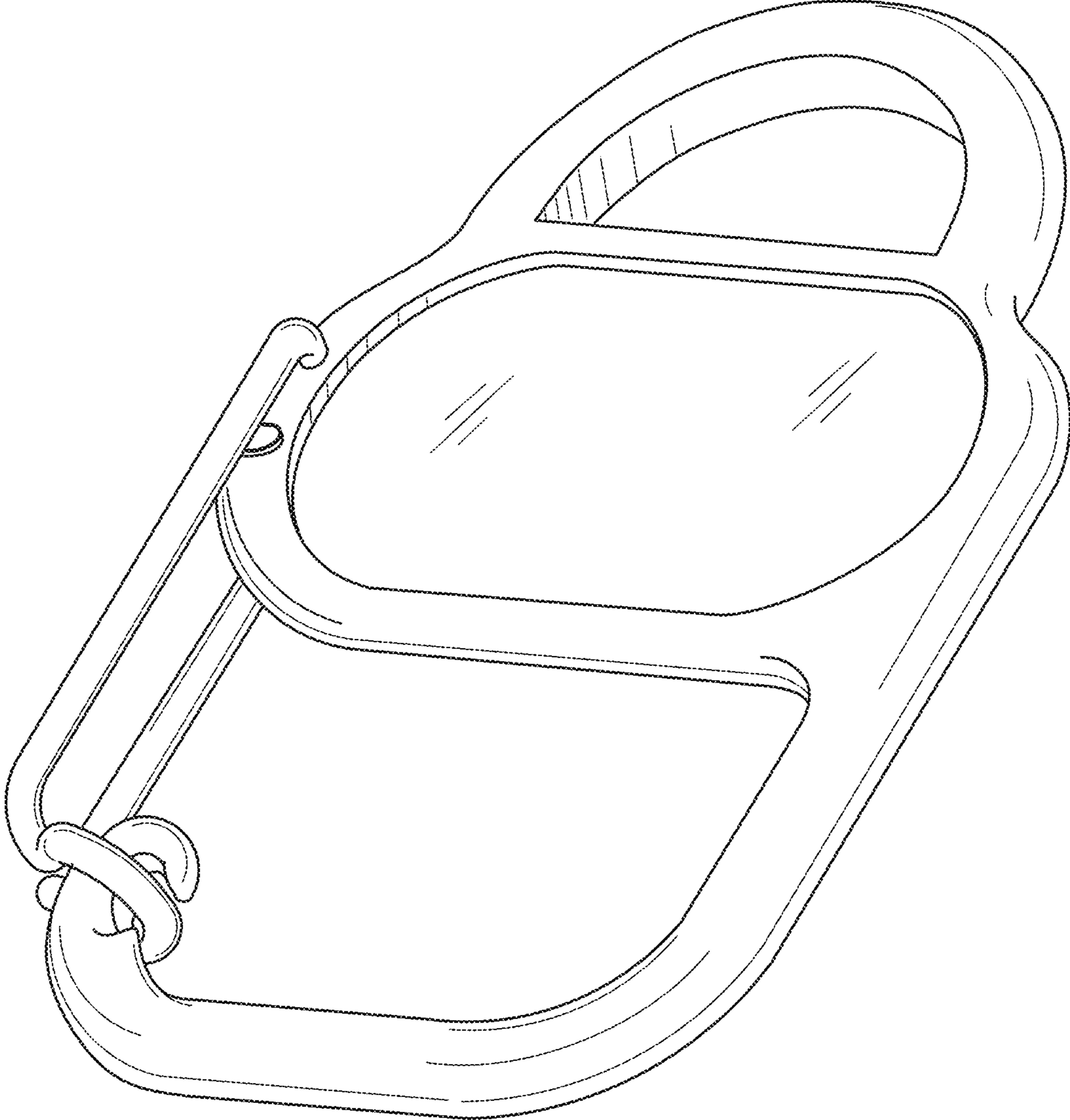


FIG. 1

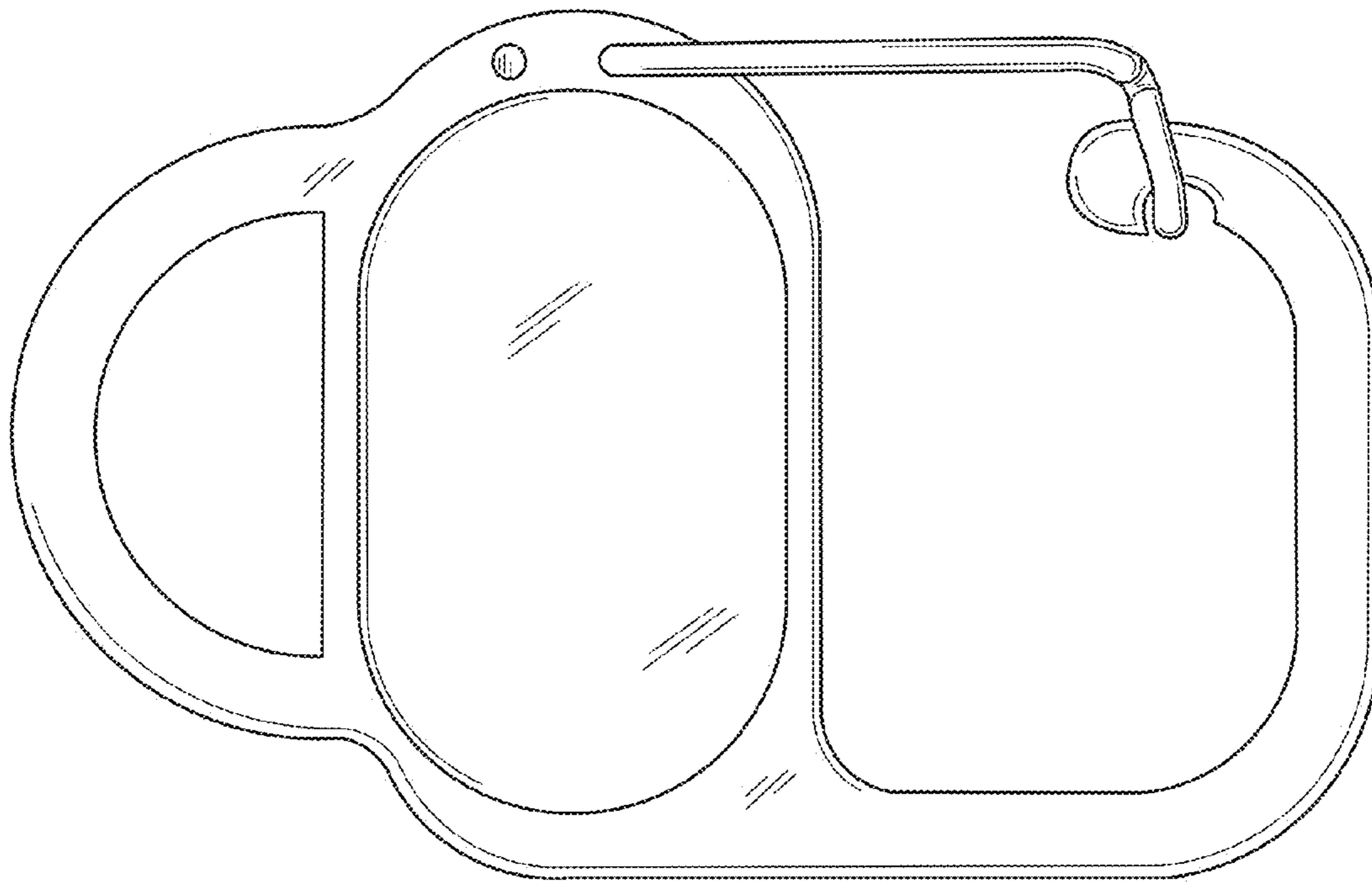


FIG. 2

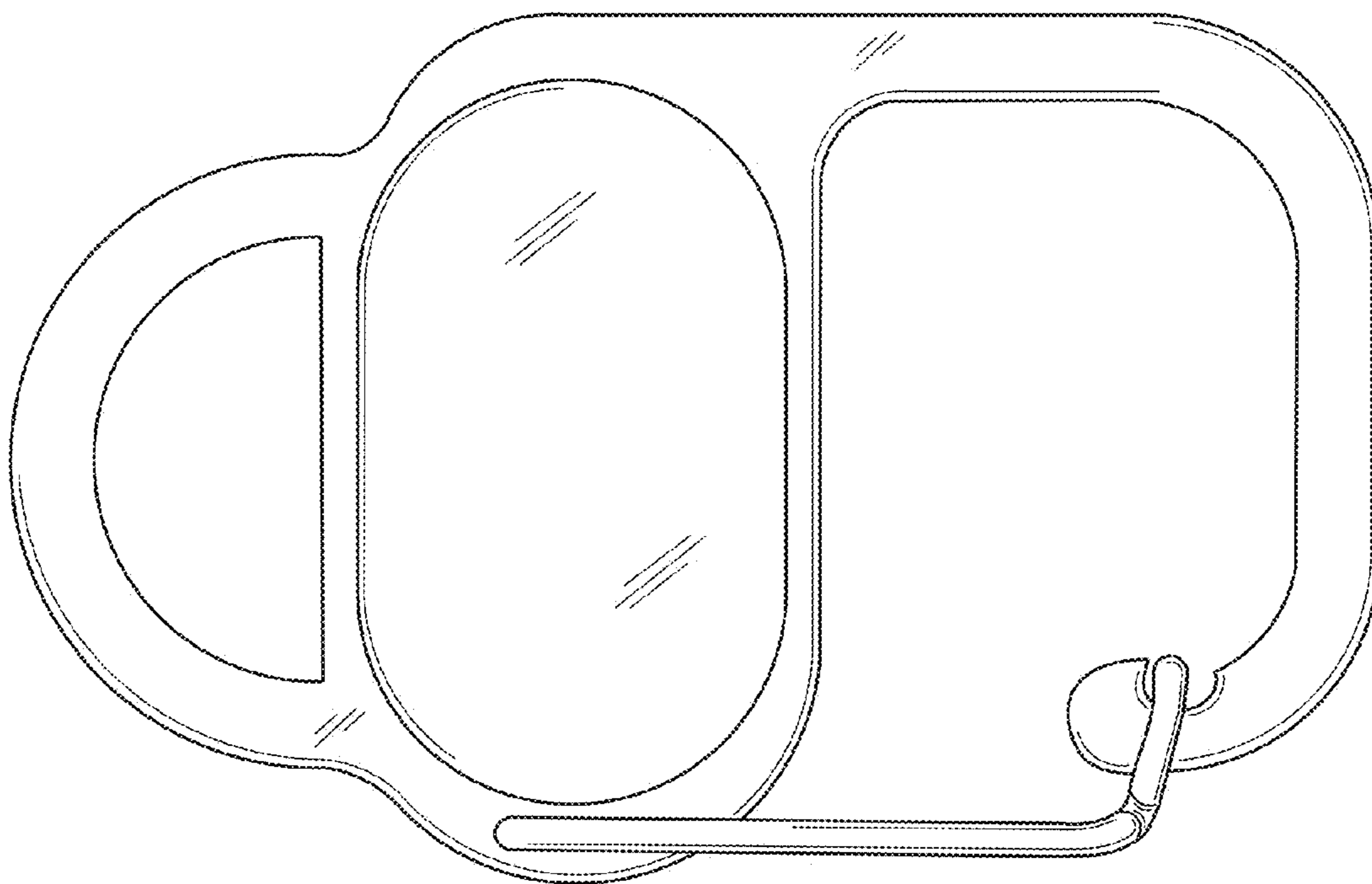


FIG. 3



FIG. 4

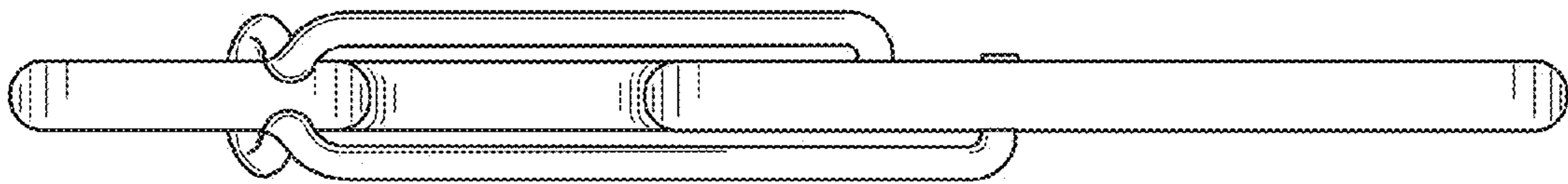


FIG. 5

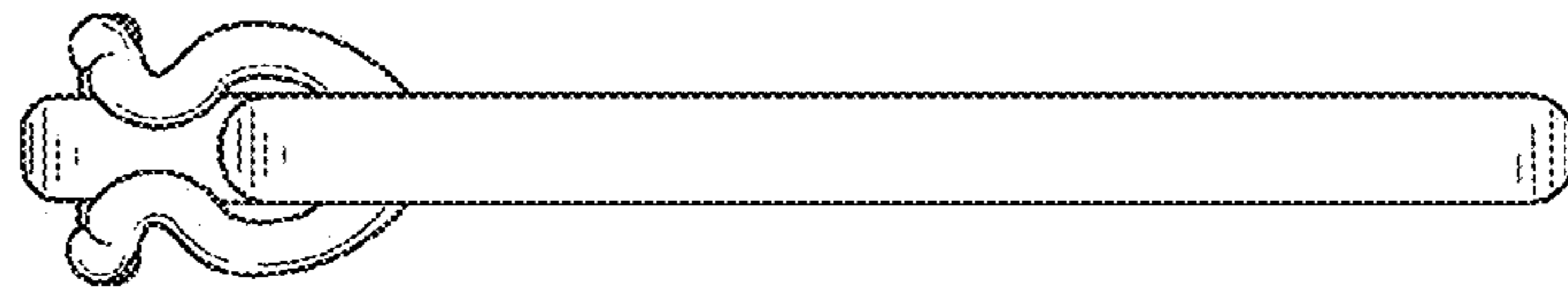


FIG. 6

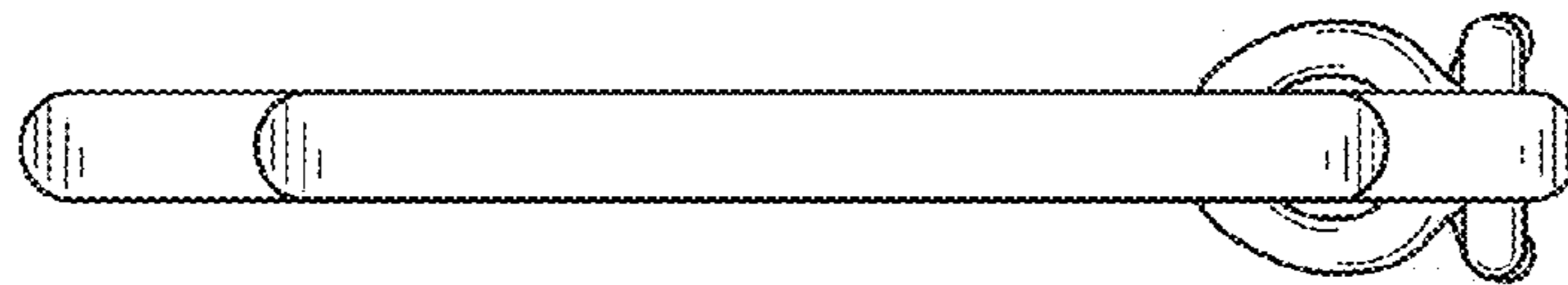


FIG. 7

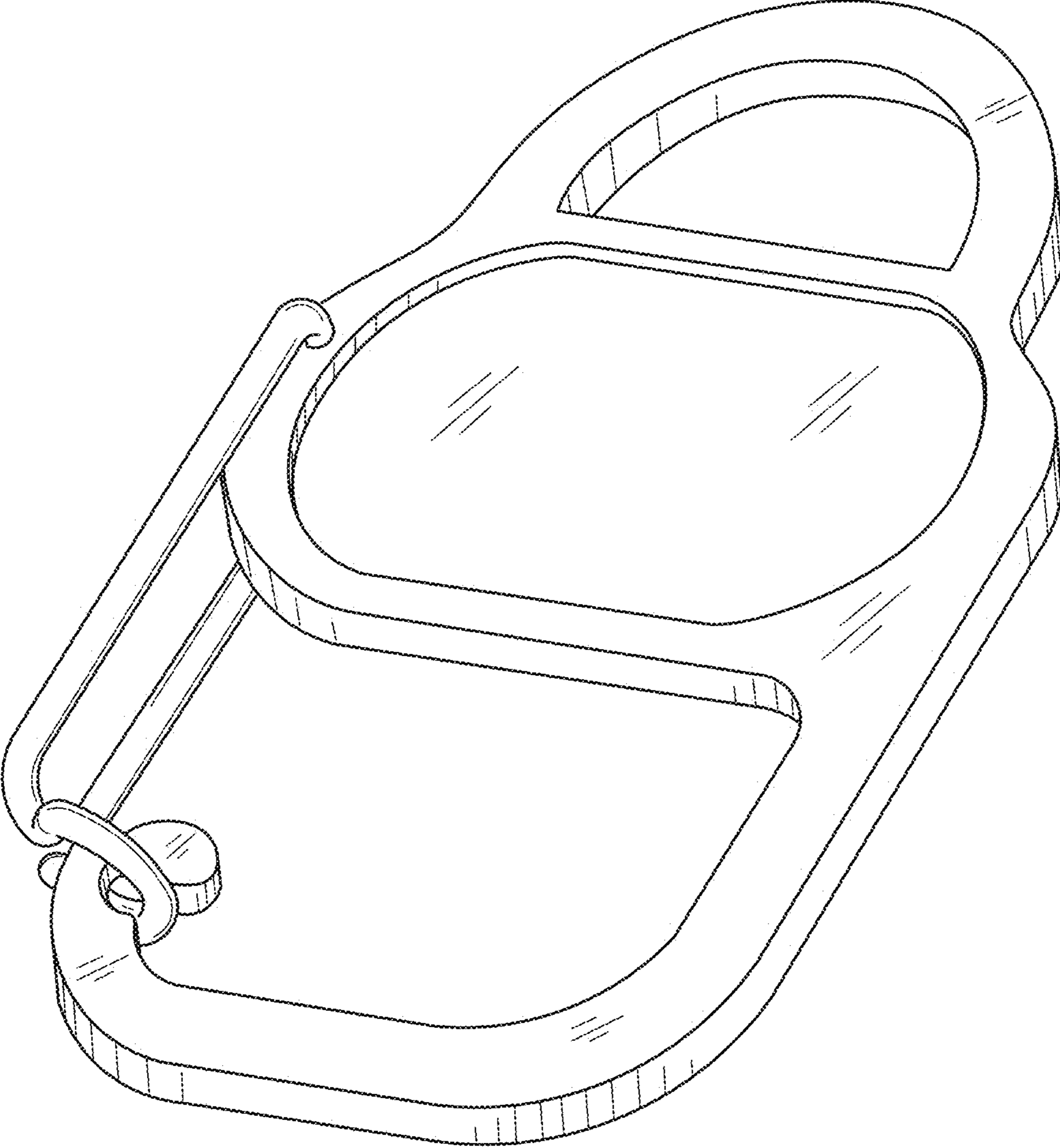


FIG. 8