



US00D729512S

(12) **United States Design Patent**
Latthe

(10) **Patent No.:** **US D729,512 S**

(45) **Date of Patent:** **** May 19, 2015**

(54) **KEY FOB**

(71) Applicant: **SenseGiz Technologies Private Limited**, Belgaum (IN)

(72) Inventor: **Abhishek H Latthe**, Belgaum (IN)

(**) Term: **14 Years**

(21) Appl. No.: **29/492,253**

(22) Filed: **May 29, 2014**

(30) **Foreign Application Priority Data**

Nov. 29, 2013 (IN) 258477

(51) **LOC (10) Cl.** **03-01**

(52) **U.S. Cl.**
USPC **D3/207**

(58) **Field of Classification Search**

CPC H04R 5/033; H04R 1/1058; H04R 1/1033
USPC D11/1-2, 14, 26-29, 89-92, 44, 48, 81,
D11/99; 63/26-28, 32; D3/207-212; D8/16,
D8/38, 347, 348; 70/456 B, 457, 458;
206/37.1; D14/434, 435, 435.1, 436,
D14/439, 480.3, 480.1, 480.5, 480.7;
D24/174, 173, 480.3

See application file for complete search history.

(56) **References Cited**

U.S. PATENT DOCUMENTS

D306,799	S	*	3/1990	Colan	D3/207
D338,998	S	*	9/1993	MacDonald	D3/207
D352,600	S	*	11/1994	Steeley	D3/208
6,089,060	A	*	7/2000	Steeley	70/456 R
D459,972	S	*	7/2002	Magnusson	D8/347
D623,399	S	*	9/2010	McSweyn	D3/208
D624,747	S	*	10/2010	McSweyn	D3/208
D639,547	S	*	6/2011	Stefanov	D3/207
D670,902	S	*	11/2012	McSweyn et al.	D3/208
D679,087	S	*	4/2013	McSweyn et al.	D3/208
D705,642	S	*	5/2014	Pellegrini	D8/347

* cited by examiner

Primary Examiner — Ralf Seifert

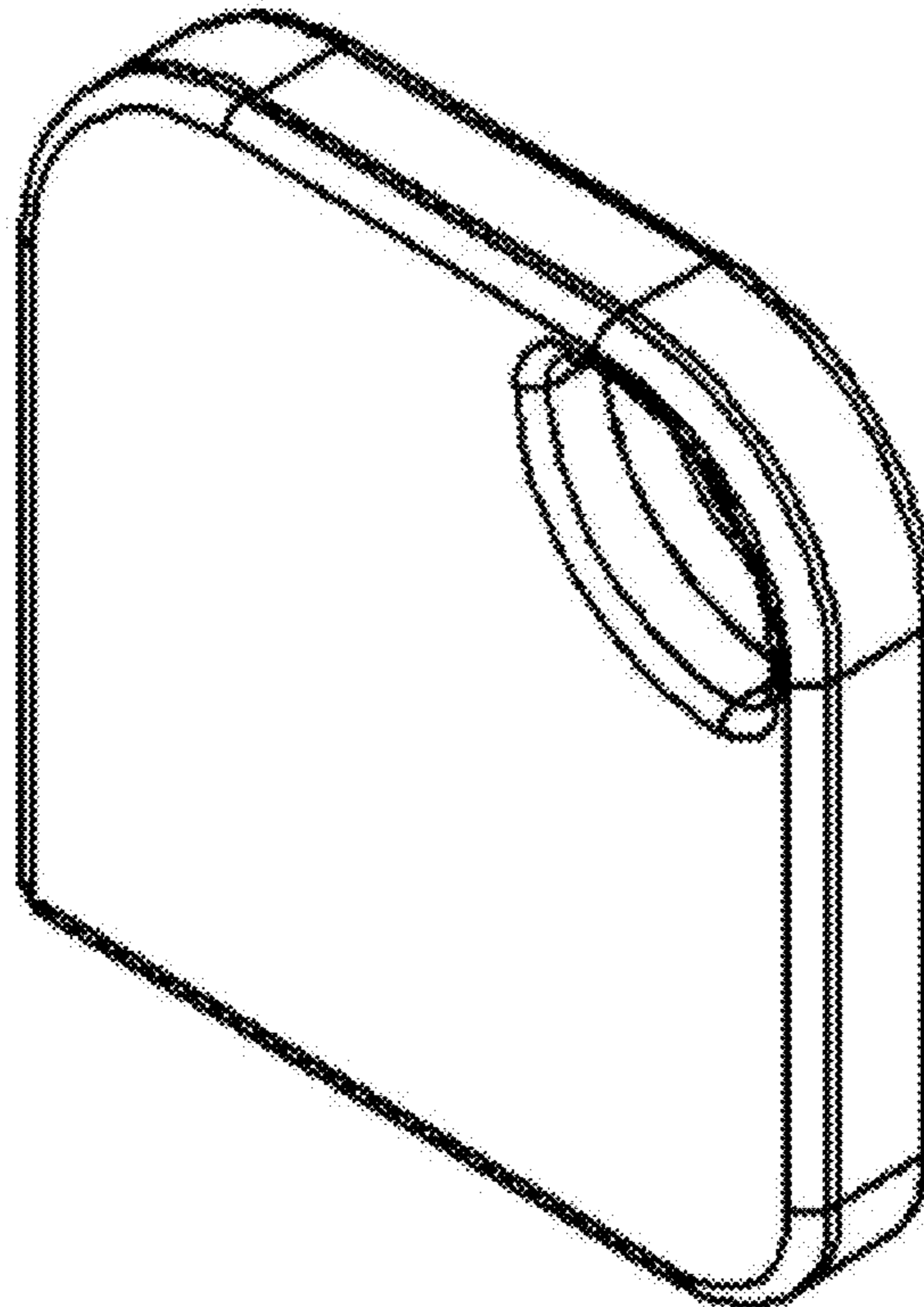
(57) **CLAIM**

The ornamental design for a key fob, as shown and described.

DESCRIPTION

FIG. 1 is a front view of key fob according to present invention;
FIG. 2 is a back view of key fob according to present invention; and,
FIG. 3 is an isometric view of key fob according to present invention.

1 Claim, 3 Drawing Sheets



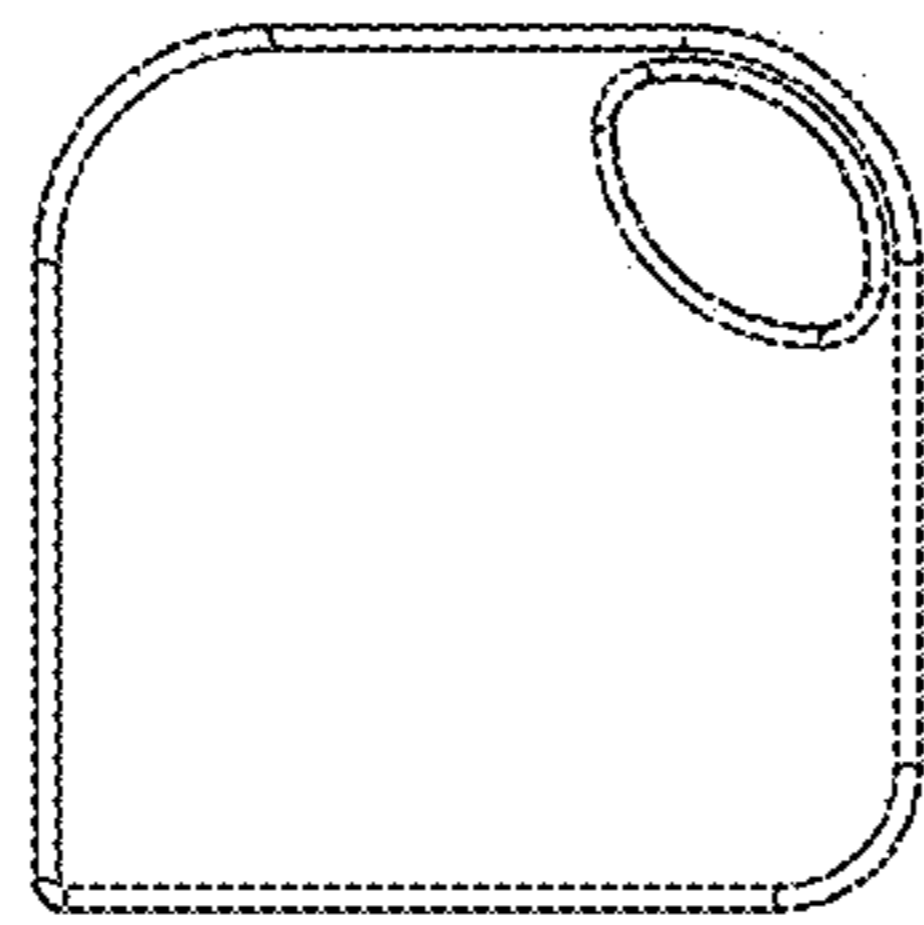


Fig.1

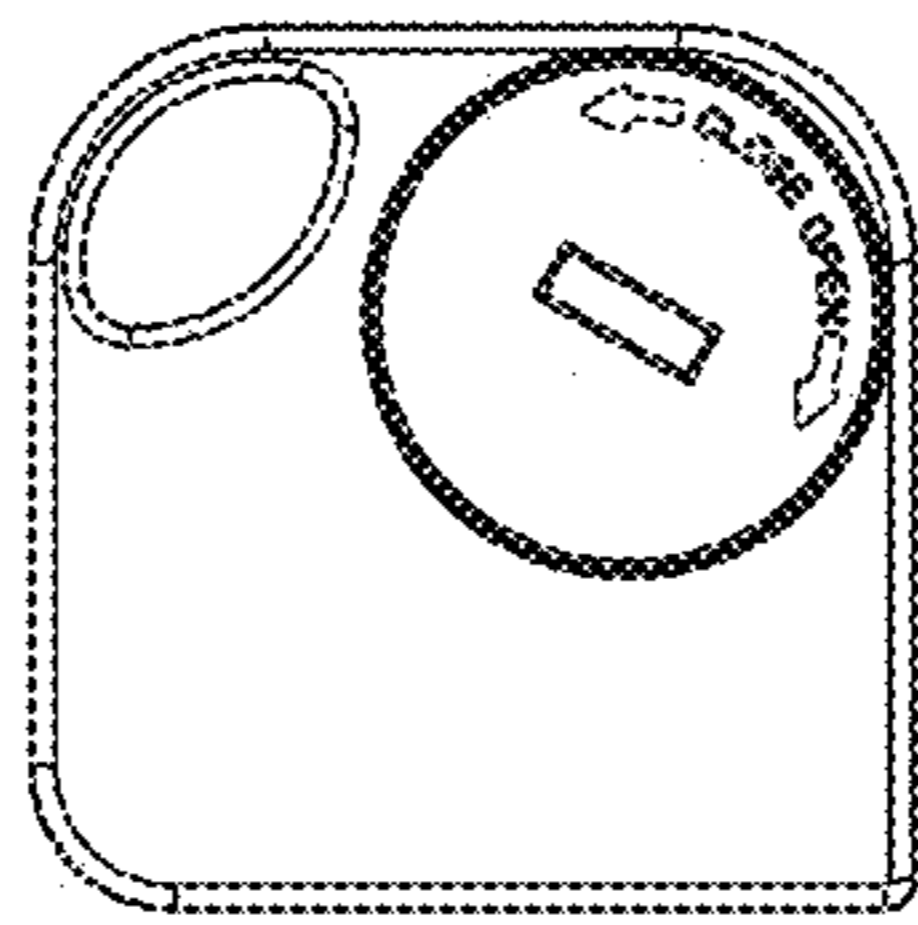


Fig.2

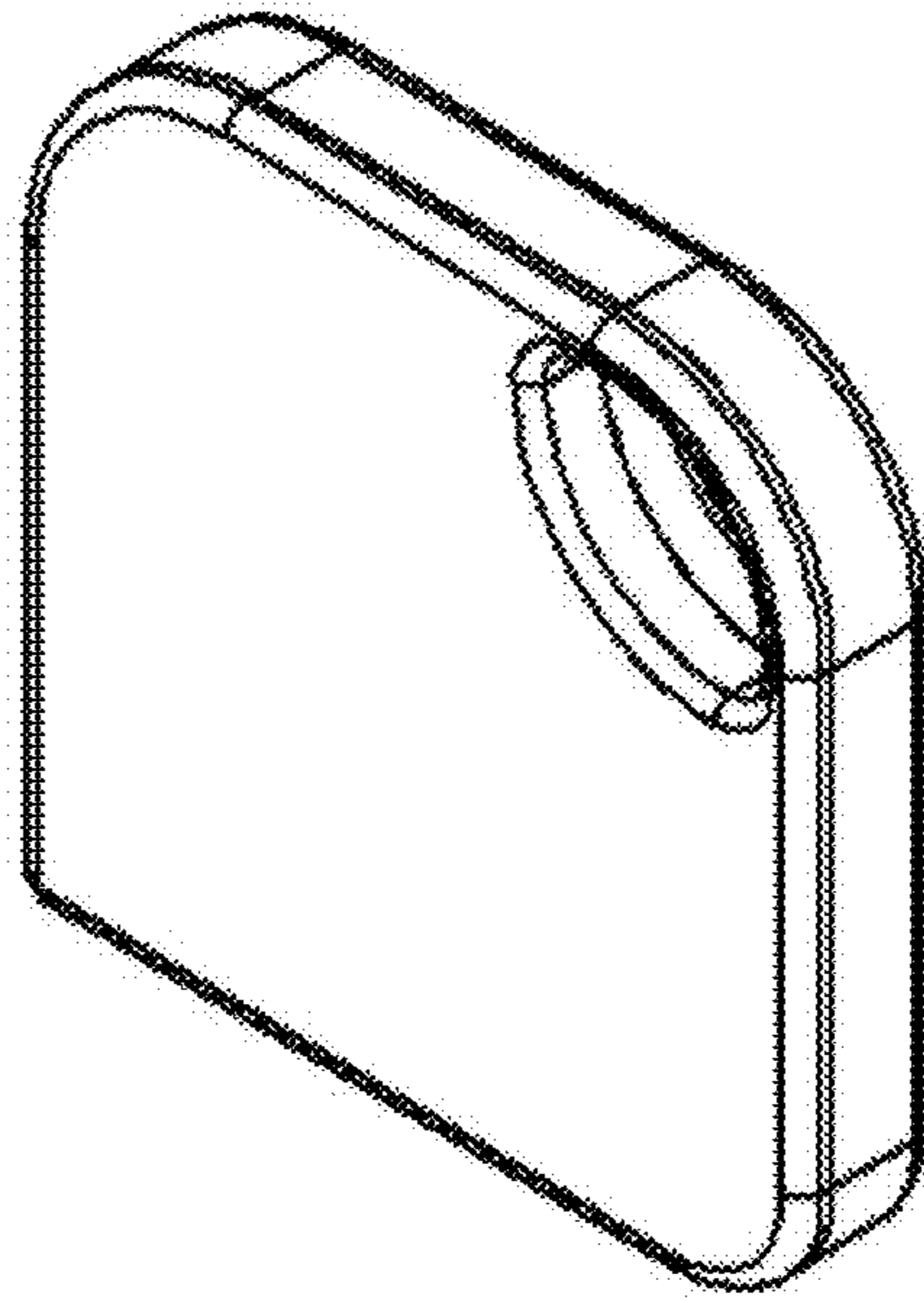


Fig.3