



US00D729511S

(12) **United States Design Patent**  
**Stovitz**

(10) **Patent No.:** **US D729,511 S**

(45) **Date of Patent:** **\*\* May 19, 2015**

(54) **KEY CHAIN WITH PIN**

(71) Applicant: **Laura Stovitz**, Los Angeles, CA (US)

(72) Inventor: **Laura Stovitz**, Los Angeles, CA (US)

(\*\*) Term: **14 Years**

(21) Appl. No.: **29/484,868**

(22) Filed: **Mar. 13, 2014**

(51) **LOC (10) Cl.** ..... **08-01**

(52) **U.S. Cl.**  
USPC ..... **D3/207**

(58) **Field of Classification Search**

CPC ..... A45C 11/32; A47G 29/10; A44B 9/12;  
A44B 6/00; A44B 15/00  
USPC ..... D11/1-2, 14, 26-29, 89-92, 44, 48, 81,  
D11/99, 202; 63/26-28, 32; D3/207-212;  
D8/16, 38, 347, 348; 70/456 B, 457,  
70/458, 456 R; 206/37.1, 37; D14/434,  
D14/435, 435.1, 436, 439, 480.3, 480.1,  
D14/480.5, 480.7; D24/174, 173, 480.3;  
24/706.2, 709.9

See application file for complete search history.

(56) **References Cited**

**U.S. PATENT DOCUMENTS**

629,213 A \* 7/1899 Sheets ..... 70/459  
857,645 A \* 6/1907 Mayer ..... 24/299

1,484,532 A \* 2/1924 Quigley ..... 70/456 R  
1,581,197 A \* 4/1926 Goodman ..... 70/456 R  
2,353,261 A \* 7/1944 Pedersen ..... 24/708.9  
3,081,781 A \* 3/1963 Stermer ..... 132/273  
3,494,003 A \* 2/1970 Bower, Jr. .... 24/66.6  
5,983,686 A \* 11/1999 Lee ..... 70/456 R  
6,243,922 B1 \* 6/2001 Simon ..... 24/3.6  
D506,056 S \* 6/2005 Burns ..... D3/207  
7,546,753 B1 \* 6/2009 Kim ..... 70/456 R

\* cited by examiner

*Primary Examiner* — Ralf Seifert

(74) *Attorney, Agent, or Firm* — Michael N. Cohen; Cohen IP Law Group P.C.

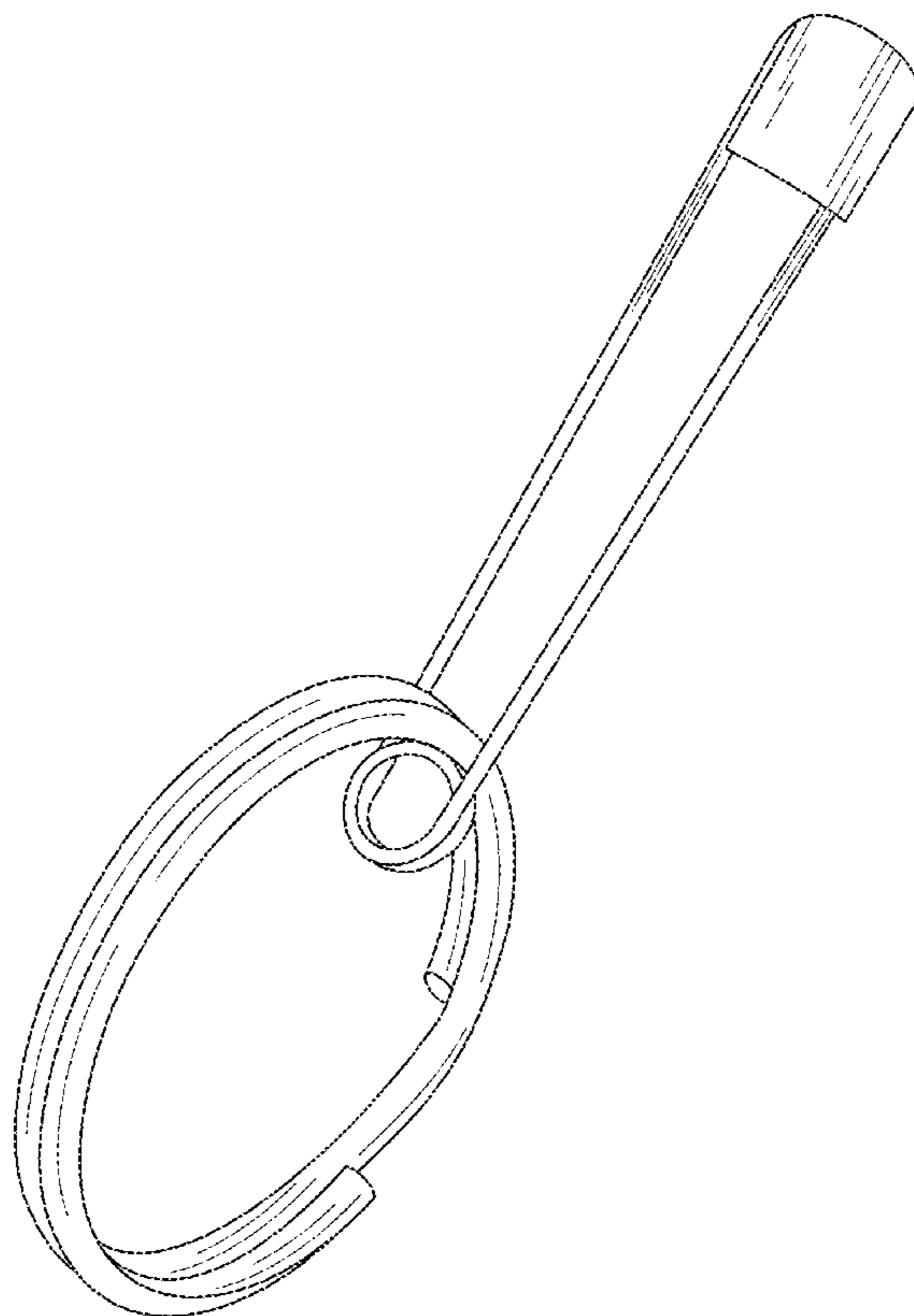
(57) **CLAIM**

I claim the ornamental design for a key chain with pin, as shown and described.

**DESCRIPTION**

FIG. 1 is a front perspective view of a key chain with pin showing my new design;  
FIG. 2 is a front view of FIG. 1;  
FIG. 3 is a back view of FIG. 1;  
FIG. 4 is a right side view of FIG. 1;  
FIG. 5 is a left side view of FIG. 1;  
FIG. 6 is a top view of FIG. 1; and,  
FIG. 7 is a bottom view of FIG. 1.

**1 Claim, 5 Drawing Sheets**



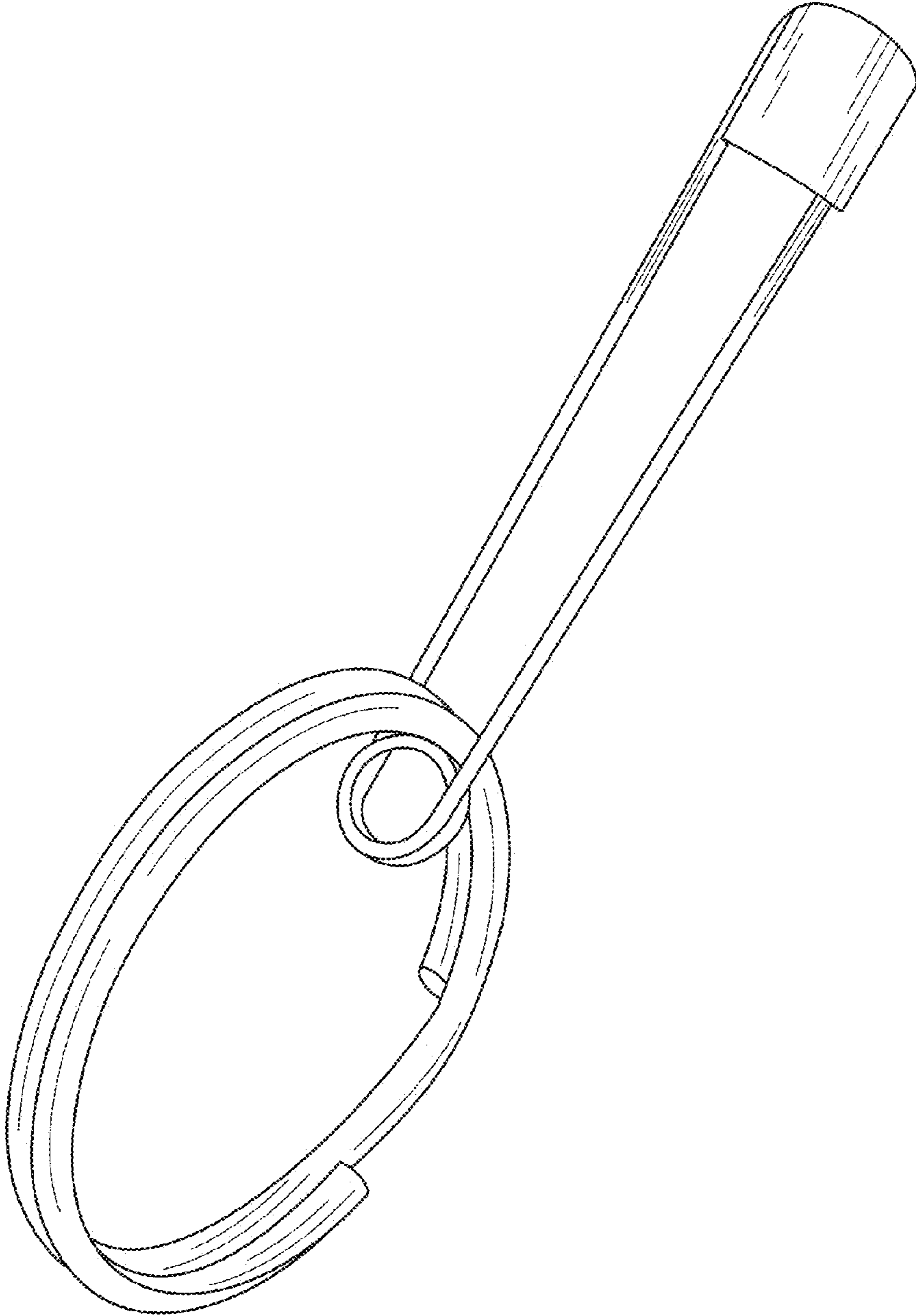


FIG. 1

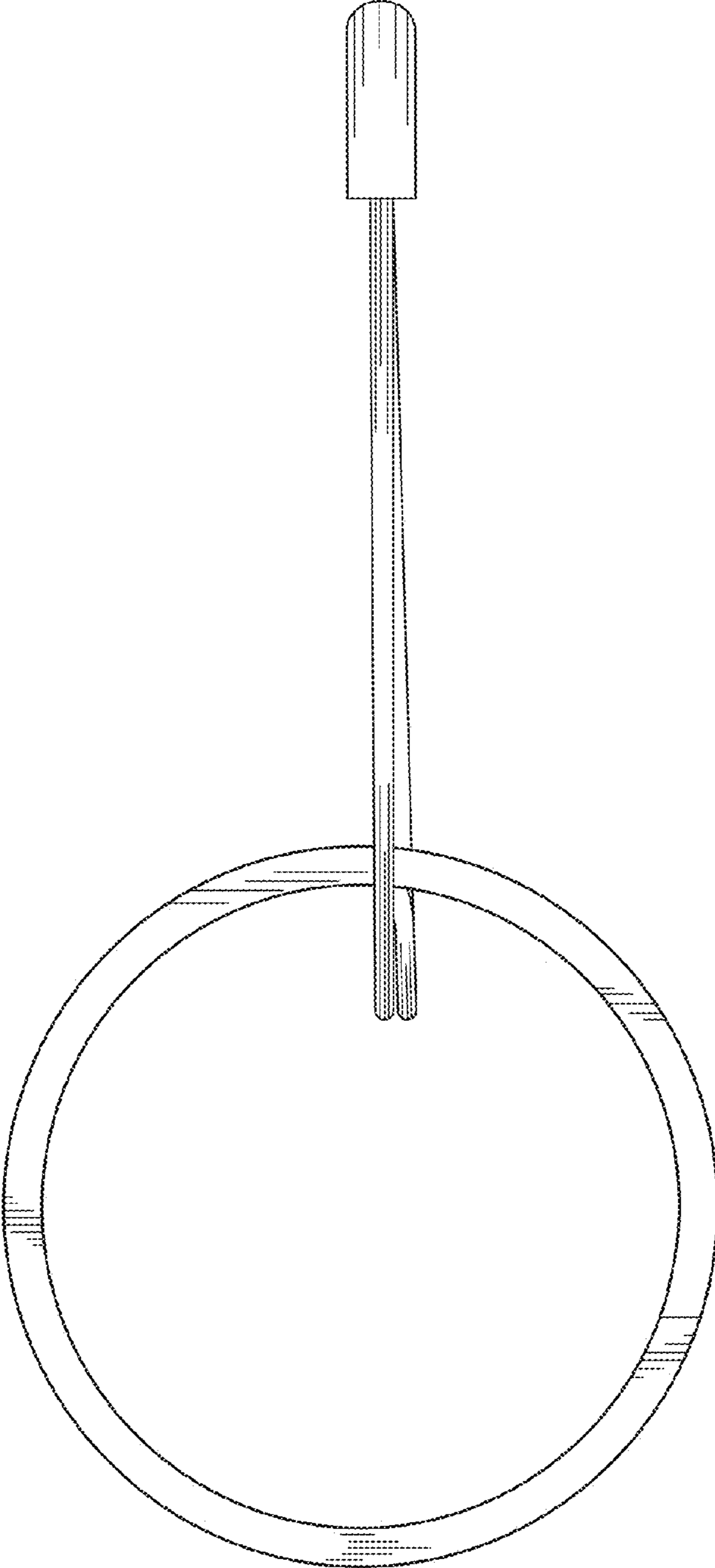


FIG. 2

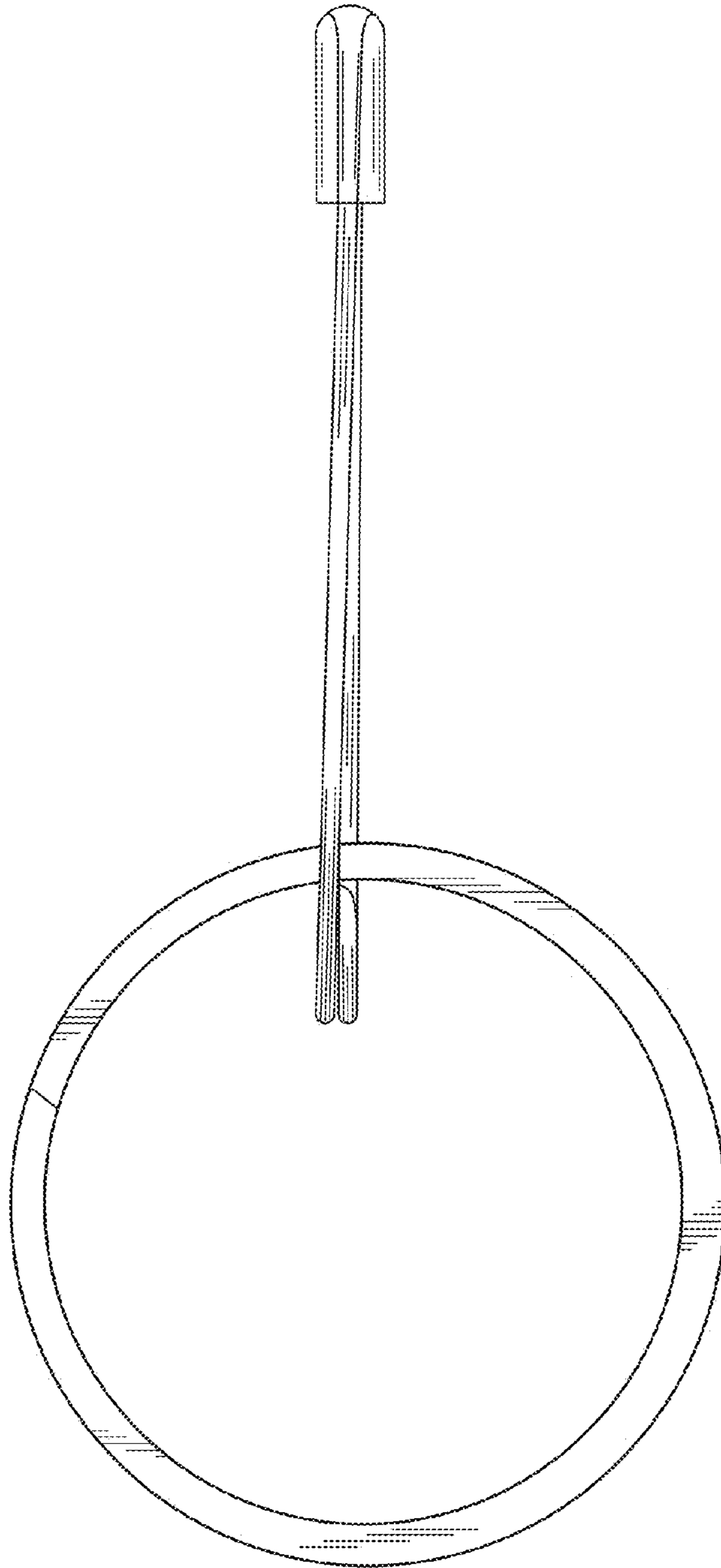


FIG. 3

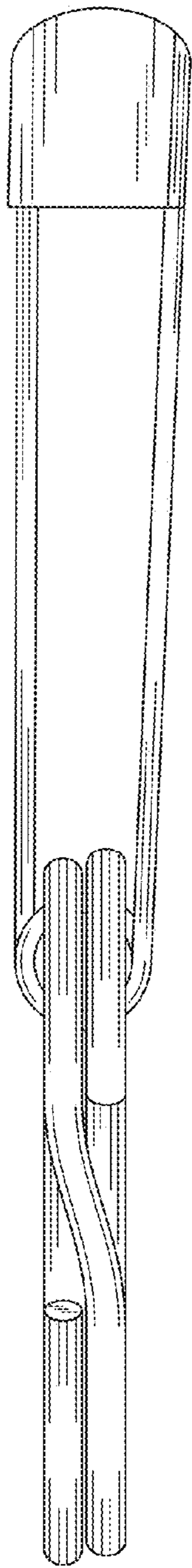


FIG. 4

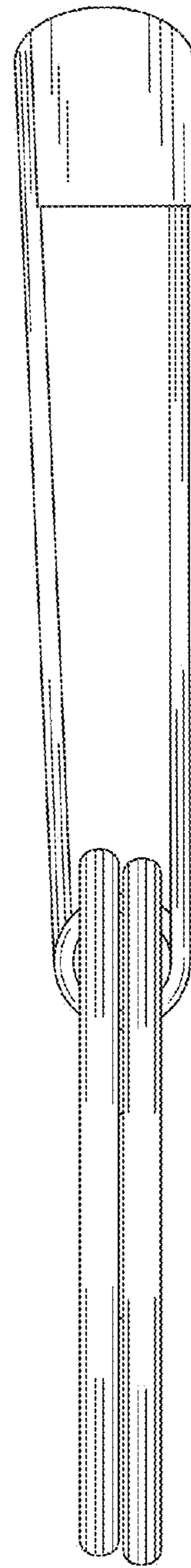


FIG. 5

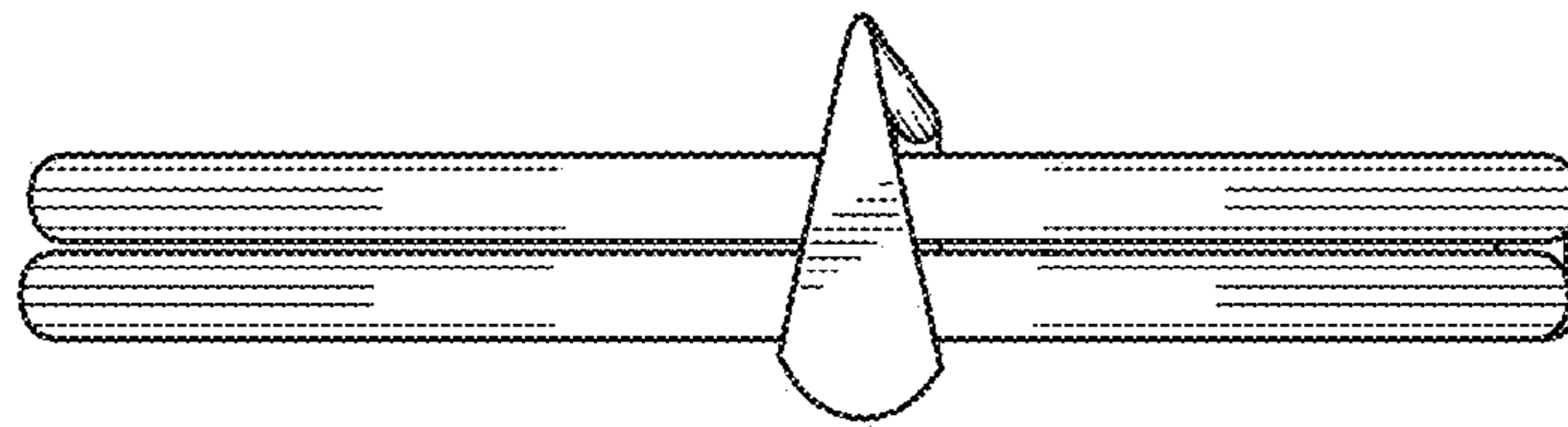


FIG. 6

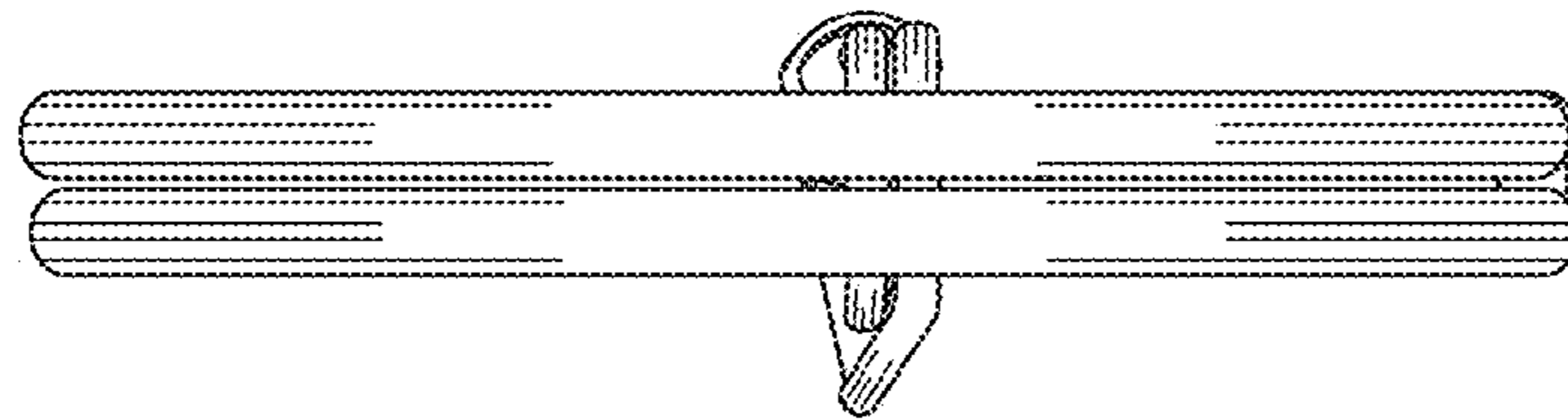


FIG. 7