



US00D729510S

(12) **United States Design Patent**
Headley et al.

(10) **Patent No.:** **US D729,510 S**
(45) **Date of Patent:** **** May 19, 2015**

(54) **UMBRELLA HANDLE**

FOREIGN PATENT DOCUMENTS

(71) Applicant: **totes Isotoner Corporation**, Cincinnati, OH (US)

EM 001849324-0001 * 4/2011
EM 001909821-0001 * 9/2011

(72) Inventors: **Ann S. Headley**, Cincinnati, OH (US);
Julie Kerr, Cincinnati, OH (US)

OTHER PUBLICATIONS

Totes TRX TITAN Auto Open Close XL Umbrella—Black/Apple Green: Announced Aug. 19, 2011[online], [site visited Dec. 4, 2014]. Available from Internet URL<:http://www.totes-isotoner.com/totes/product/totes+trx+titan+auto+open+close+xl+umbrella++black-apple+green.do?sortby=ourPicks.*

(73) Assignee: **totes Isotoner Corporation**, Cincinnati, OH (US)

Primary Examiner — Cathron Brooks

(**) Term: **14 Years**

Assistant Examiner — Catherine Posthauer

(21) Appl. No.: **29/464,213**

(74) *Attorney, Agent, or Firm* — Frost Brown Todd LLC

(22) Filed: **Aug. 14, 2013**

(57) **CLAIM**

The ornamental design for an umbrella handle, as shown and described.

(51) **LOC (10) Cl.** **03-03**

DESCRIPTION

(52) **U.S. Cl.**

USPC **D3/12**

(58) **Field of Classification Search**

CPC A45B 11/00; A45B 25/00; A45B 25/12;
A45B 25/14; A45B 25/143; A45B 25/146;

FIG. 1 is a perspective view of a first embodiment of an umbrella handle showing our new design.

FIG. 2 is a front elevation view of the handle of FIG. 1.

FIG. 3 is a rear elevation view of the handle of FIG. 1.

FIG. 4 is a side elevation view of the handle of FIG. 1, the opposite side being a mirror image thereof.

FIG. 5 is a top plan view of the handle of FIG. 1.

FIG. 6 is a bottom plan view of the handle of FIG. 1.

FIG. 7 is a perspective view of a second embodiment of an umbrella handle showing our new design.

FIG. 8 is a front elevation view of the handle of FIG. 7.

FIG. 9 is a rear elevation view of the handle of FIG. 7.

FIG. 10 is a side elevation view of the handle of FIG. 7, the opposite side being a mirror image thereof.

FIG. 11 is a top plan view of the handle of FIG. 7; and,

FIG. 12 is a bottom plan view of the handle of FIG. 7.

The broken lines in the drawings are included for purposes of illustrating portions of the umbrella handles that form no part of the claimed design.

A45B 9/02; A45B 2009/025

USPC D3/5, 7, 10, 12; D8/17, 25, 61, 82, 83,
D8/87, 107, 308; D12/178, 179, 180;

D24/152, 133; 81/62, 177.4, 177.2;

135/17, 25.4, 72, 76, 98

See application file for complete search history.

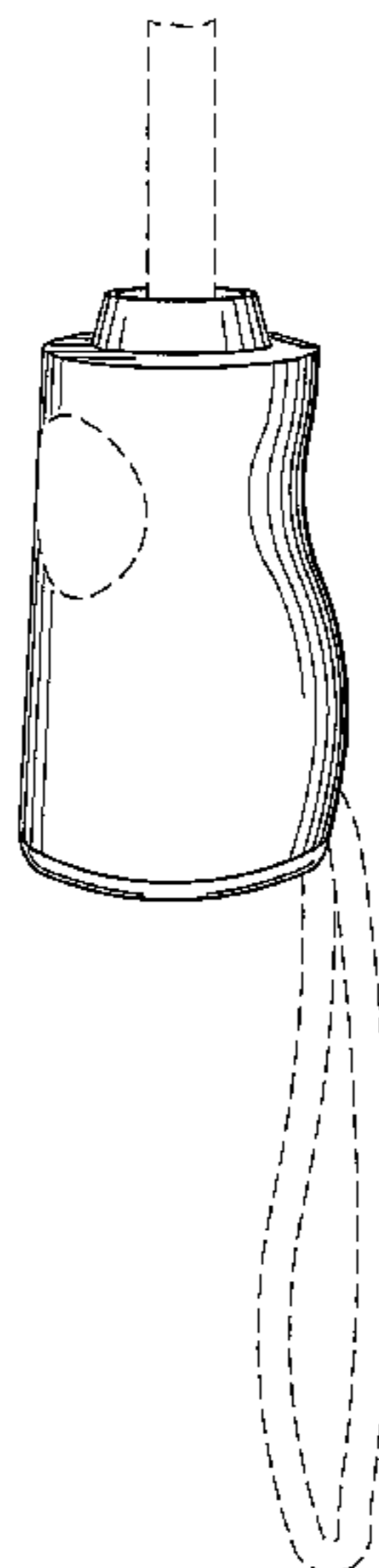
(56) **References Cited**

U.S. PATENT DOCUMENTS

D274,674 S * 7/1984 Allen D3/12
D274,765 S * 7/1984 Allen D3/12

(Continued)

1 Claim, 6 Drawing Sheets



(56)

References Cited

U.S. PATENT DOCUMENTS

D284,234 S * 6/1986 Allen D3/12
D284,713 S * 7/1986 Brinker D3/12
D291,385 S * 8/1987 Selig D3/12
D415,611 S * 10/1999 Doster D3/12
D416,525 S * 11/1999 Sacco et al. D12/179

D473,708 S * 4/2003 Headley D3/12
D491,349 S * 6/2004 Headley D3/12
D510,061 S * 9/2005 Woods D12/179
D606,467 S * 12/2009 Ballard et al. D12/179
D659,379 S * 5/2012 Headley D3/12
D670,901 S * 11/2012 Rothbucher et al. D3/10
D692,652 S * 11/2013 Headley et al. D3/12

* cited by examiner

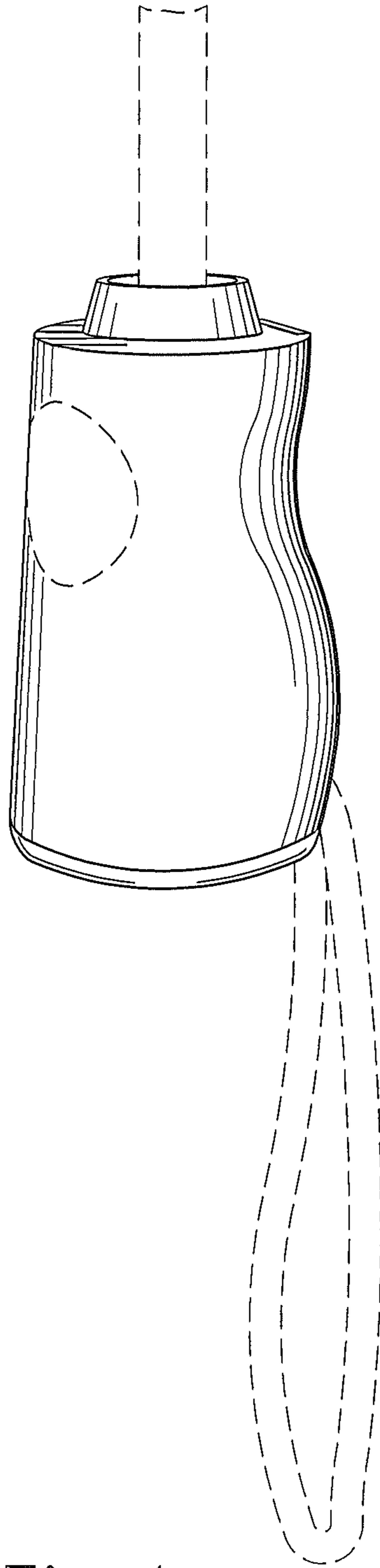


Fig. 1

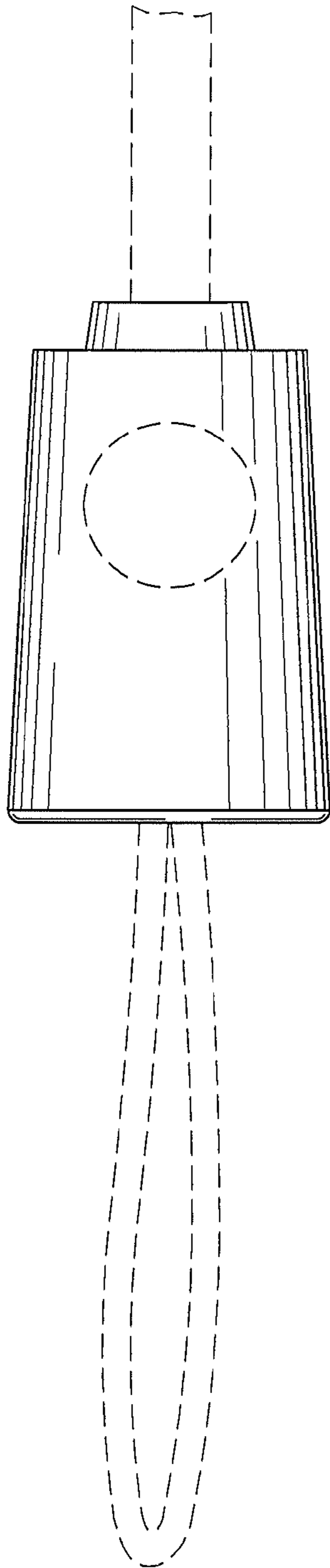


Fig. 2

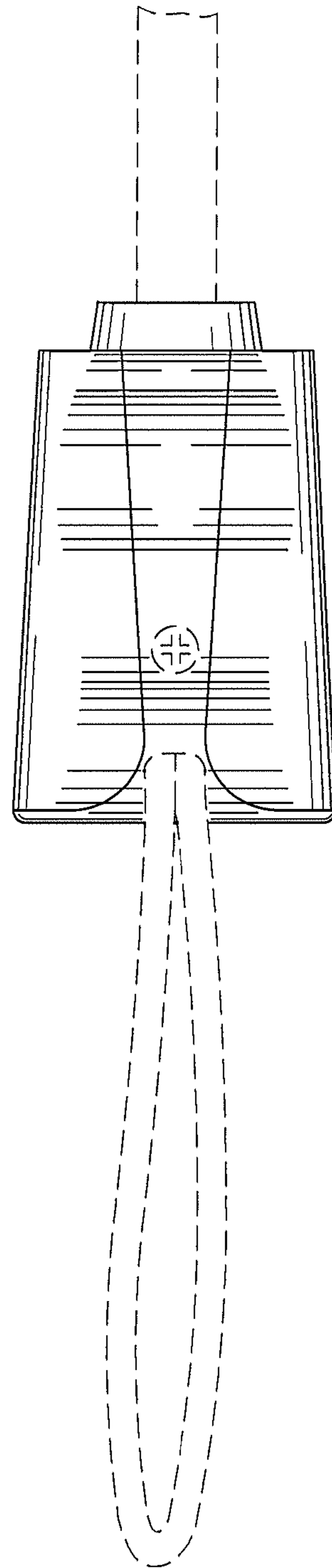


Fig. 3

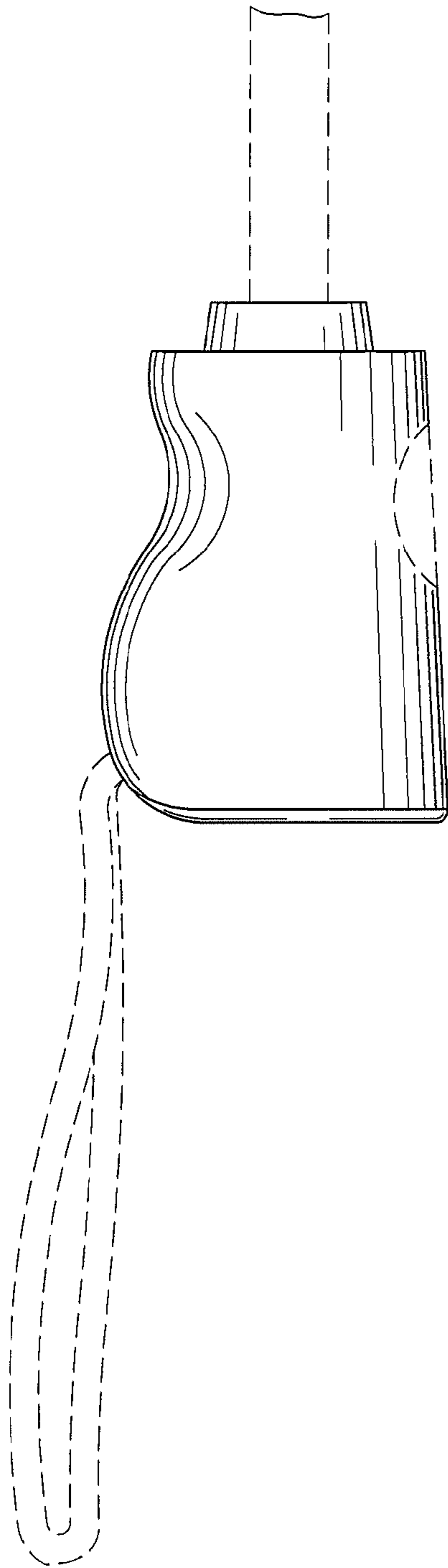


Fig.4

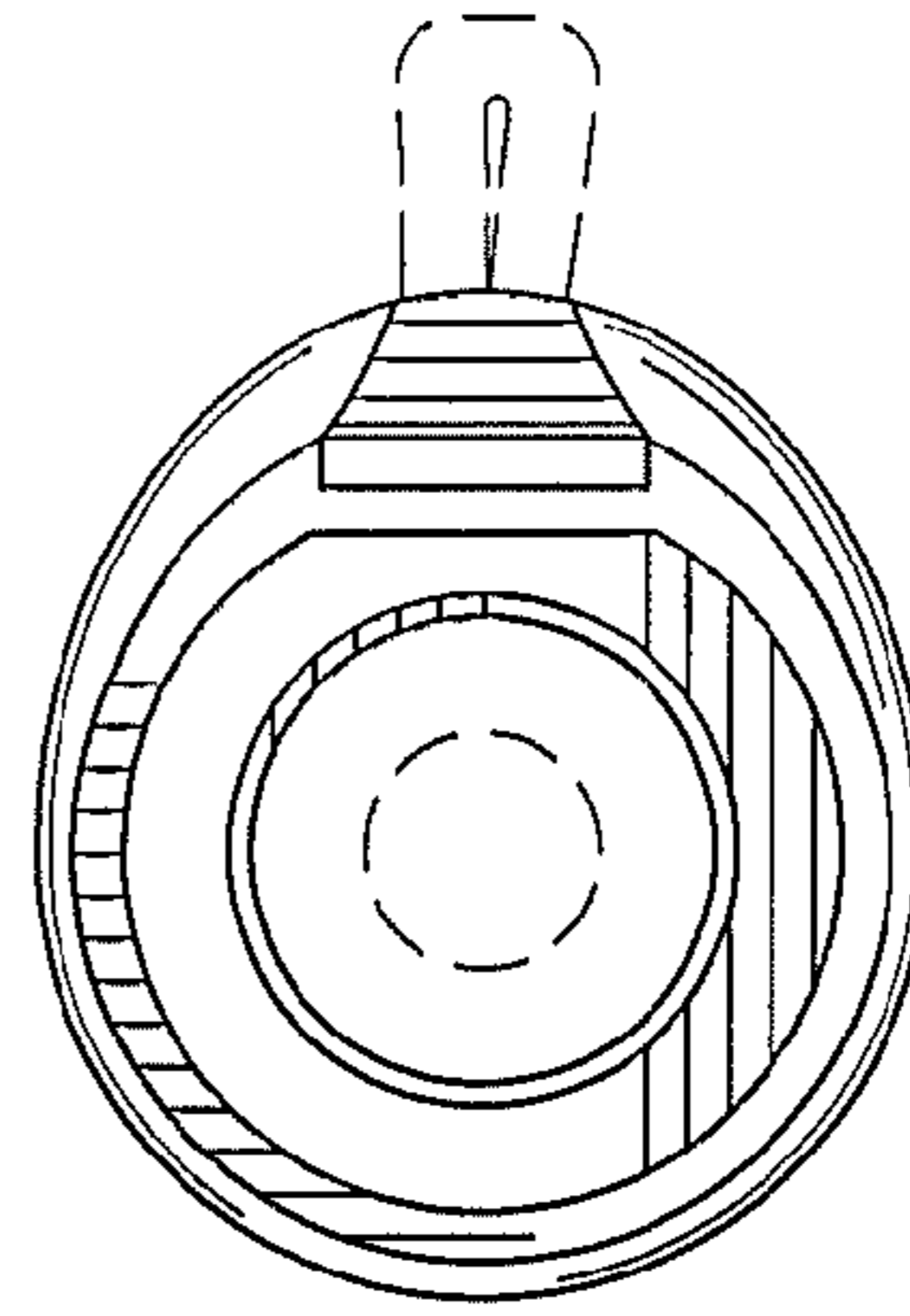


Fig.5

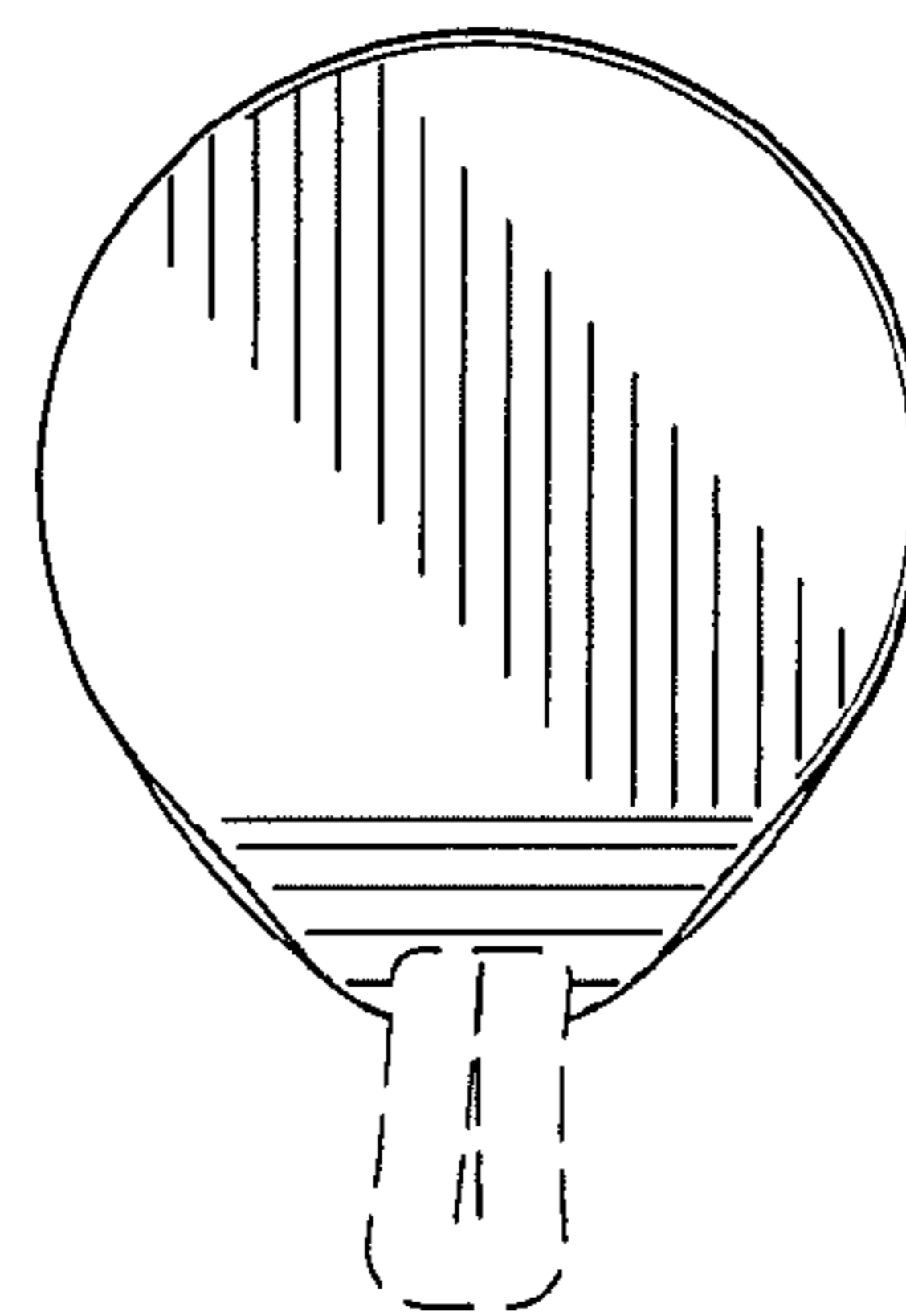


Fig.6

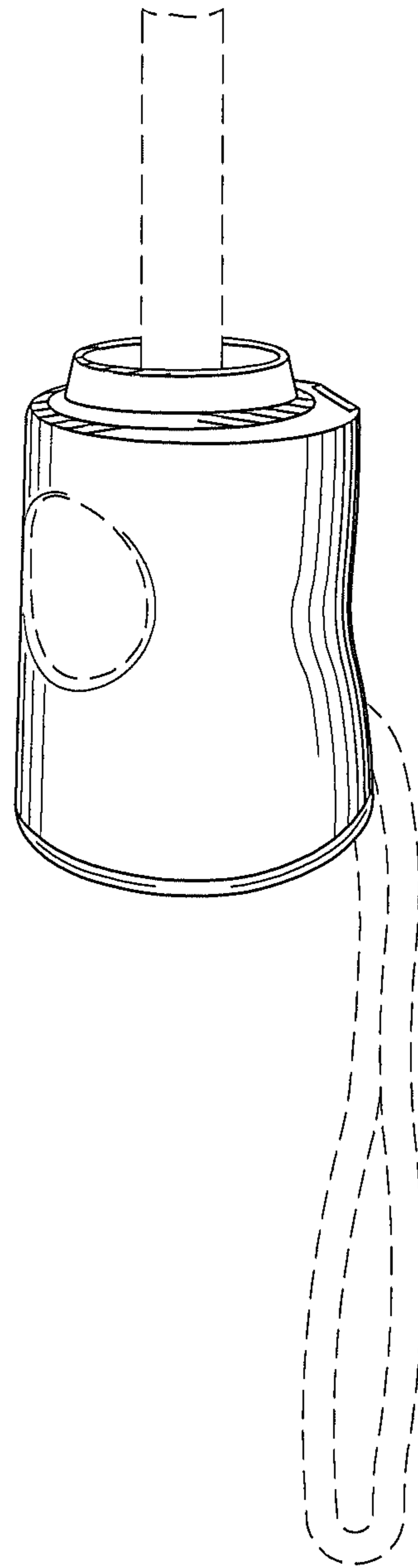


Fig.7

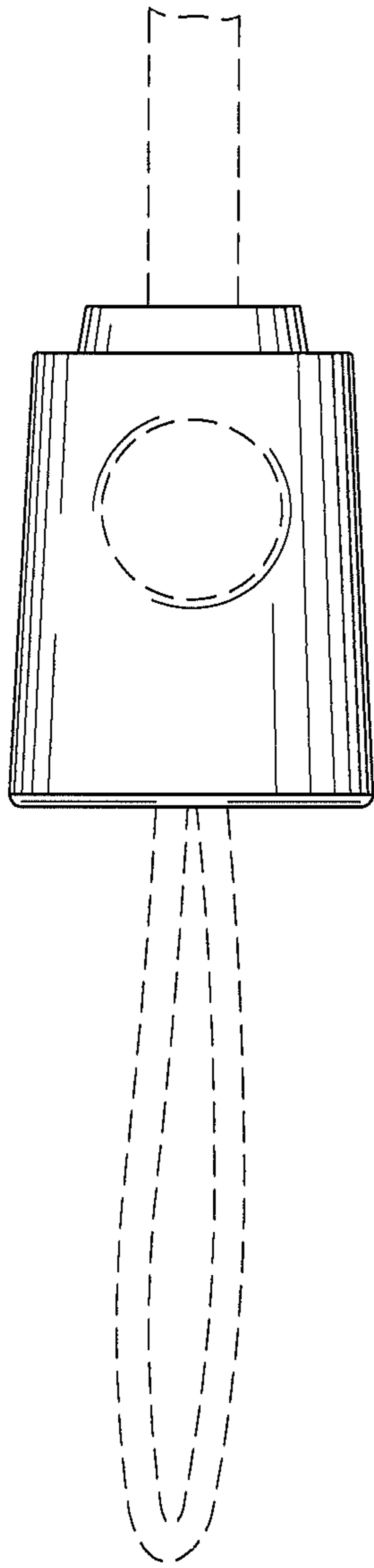


Fig. 8

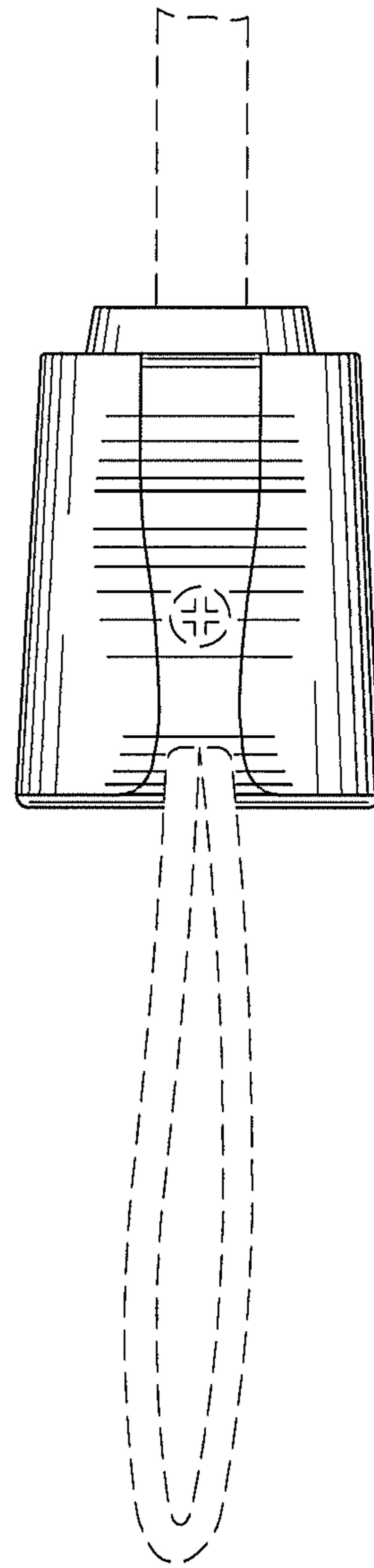


Fig. 9

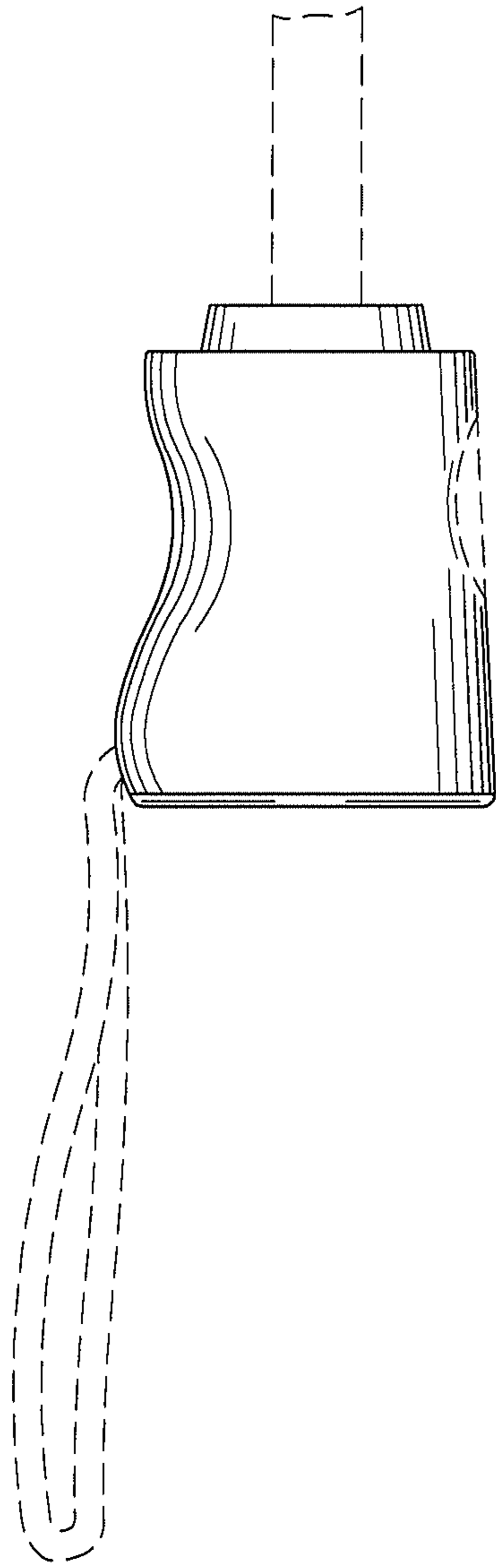


Fig. 10

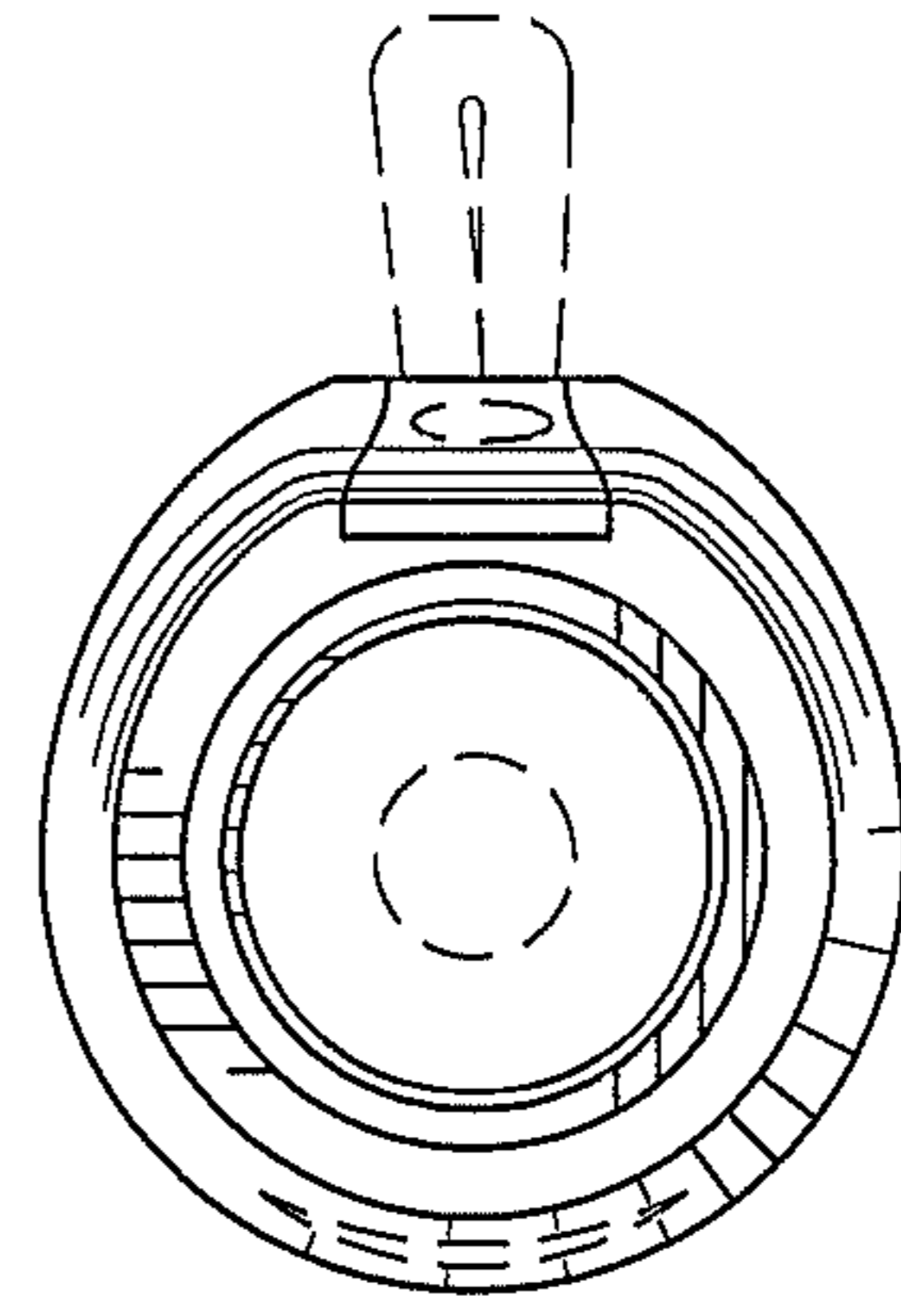


Fig. 11

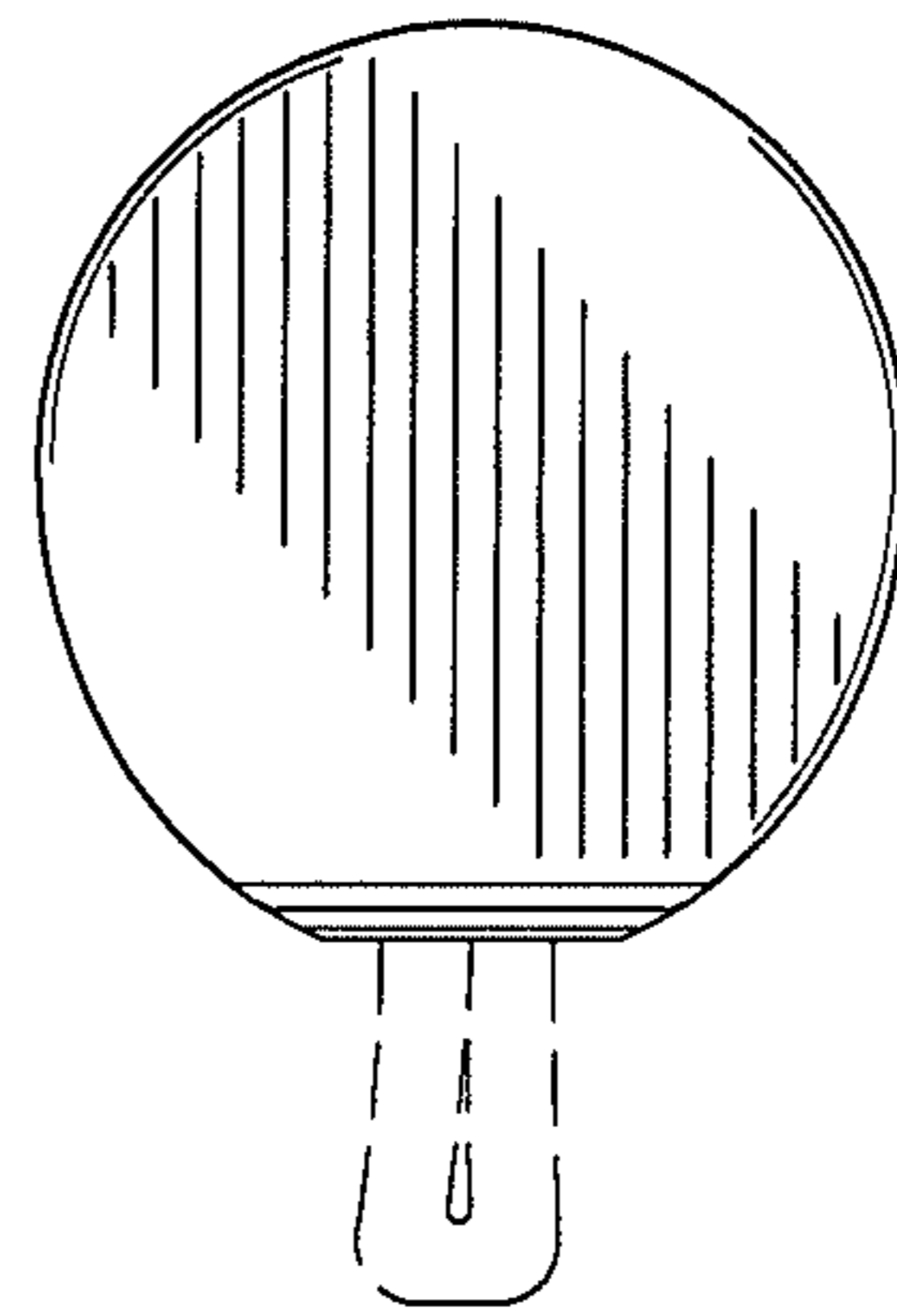


Fig. 12