



US00D729503S

(12) **United States Design Patent**
Carroll et al.

(10) **Patent No.:** **US D729,503 S**
(45) **Date of Patent:** **** May 19, 2015**

(54) **CANVAS SHOE WITH TOE COVER AND TWO DECORATIVE FOXING STRIPES ALONG THE TOE COVER**

D555,333 S * 11/2007 Riebesell D2/902
D590,138 S * 4/2009 Cofinco D2/902
D590,579 S * 4/2009 Cofinco D2/902
D611,240 S * 3/2010 Choi D2/969
D615,734 S * 5/2010 Di Nucci D2/907

(71) Applicant: **Payless Shoesource Worldwide, Inc.**,
Topeka, KS (US)

(Continued)

(72) Inventors: **Robert Michael Carroll**, Lawrence, KS
(US); **Jodi Elizabeth Myers Carrier**,
White Plains, NY (US)

OTHER PUBLICATIONS

Converse Chuck Taylor All Star, dated 2011.
(Continued)

(73) Assignee: **Payless ShoeSource Worldwide, Inc.**,
Topeka, KS (US)

Primary Examiner — Elizabeth J Oswecki
(74) *Attorney, Agent, or Firm* — Proskauer Rose LLP

(**) Term: **14 Years**

(57) **CLAIM**

(21) Appl. No.: **29/437,616**

The ornamental design for a canvas shoe with toe cover and two decorative foxing stripes along the toe cover, as shown and described.

(22) Filed: **Nov. 19, 2012**

(51) **LOC (10) Cl.** **02-04**

(52) **U.S. Cl.**
USPC **D2/902**

(58) **Field of Classification Search**
USPC D2/896, 902, 905, 906, 907, 908, 909,
D2/910, 911, 912, 943, 944, 945, 946, 947,
D2/953, 972, 976, 977; 36/83, 113, 114,
36/115, 116, 126–131, 136, 137, 3 A, 25 R,
36/45, 57

See application file for complete search history.

DESCRIPTION

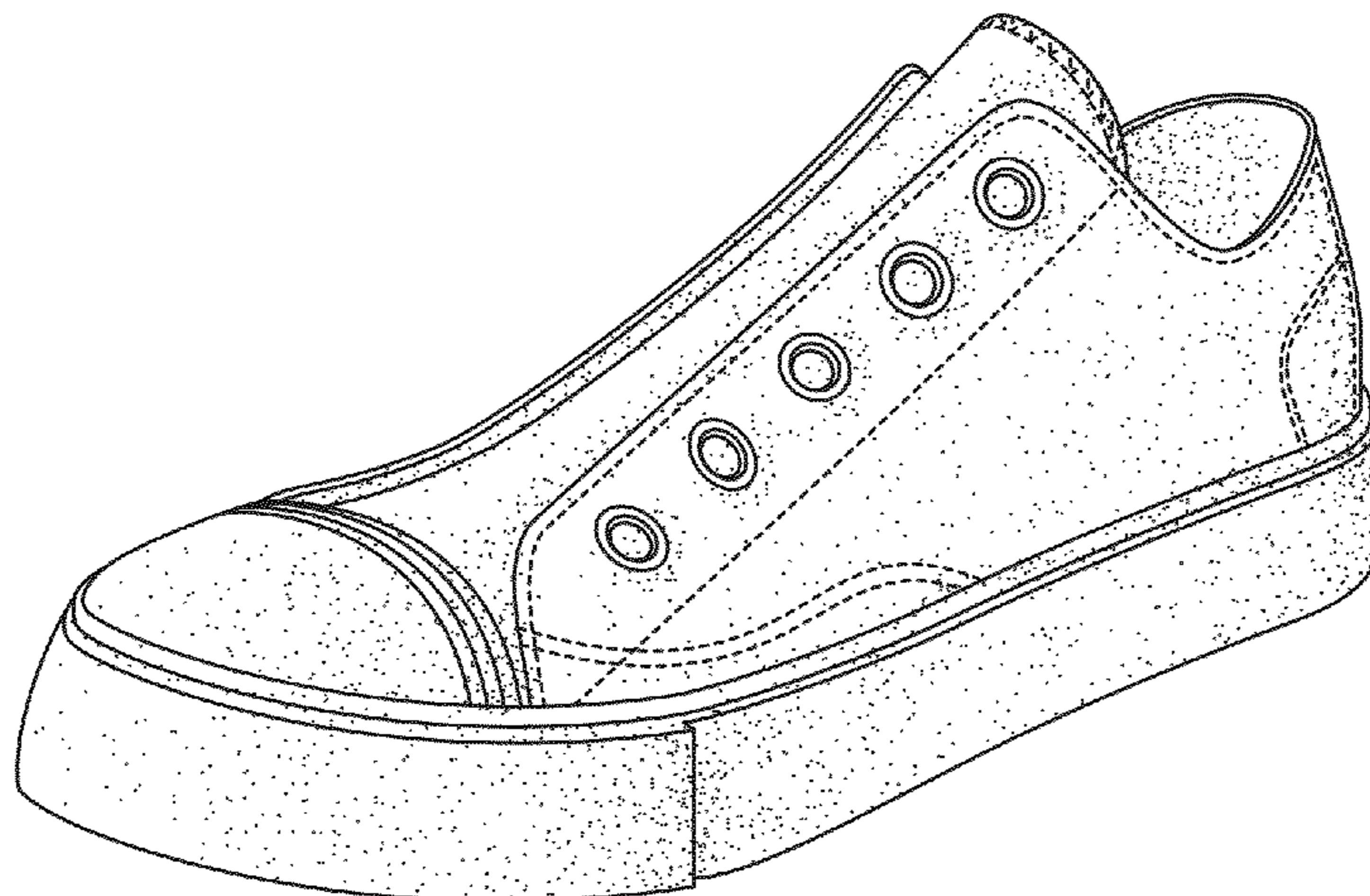
FIG. 1 is a right side perspective view of a first embodiment of a canvas shoe with toe cover and two decorative foxing stripes along the toe cover showing our new design; FIG. 2 is a top plan view thereof; FIG. 3 is a right side view thereof; FIG. 4 is a bottom plan view thereof; FIG. 5 is a left side view thereof; FIG. 6 is a rear elevation view thereof; FIG. 7 is a right side perspective view of a second embodiment of a canvas shoe with toe cover and two decorative foxing stripes along the toe cover showing our new design; FIG. 8 is a top plan view thereof; FIG. 9 is a right side view thereof; FIG. 10 is a bottom plan view thereof; FIG. 11 is a left side view thereof; and, FIG. 12 is a rear elevation view thereof. The broken lines shown on the shoe represent thread stitching. All surfaces not shown form no part of the claimed design.

(56) **References Cited**

U.S. PATENT DOCUMENTS

1,581,783 A * 4/1926 Bullock 36/89
1,708,156 A * 4/1929 Scroggins 36/89
1,952,628 A * 3/1934 MacDonald 36/4
D173,030 S * 9/1954 Hoza D2/902
2,994,972 A * 8/1961 Blair 36/92
3,613,273 A * 10/1971 Marquis 36/89
D233,805 S * 12/1974 Kubo D2/902
D273,244 S * 4/1984 Norton et al. D2/902
D279,139 S * 6/1985 Gamm D2/902
4,584,783 A * 4/1986 Dobbin 36/50.1
D555,332 S * 11/2007 Liles D2/902

1 Claim, 6 Drawing Sheets



(56)

References Cited

U.S. PATENT DOCUMENTS

D634,519 S *	3/2011	Choi	D2/902
D634,520 S *	3/2011	Choi	D2/902
D641,546 S *	7/2011	Choi	D2/969
D641,963 S *	7/2011	Choi	D2/969
D656,715 S *	4/2012	Katz et al.	D2/902
D665,562 S *	8/2012	Di Nucci	D2/902
D670,479 S *	11/2012	Maier	D2/907
D681,314 S *	5/2013	Dumain	D2/902
D701,680 S *	4/2014	Della Valle et al.	D2/902
D702,024 S *	4/2014	Della Valle et al.	D2/902
D702,423 S *	4/2014	Della Valle et al.	D2/902

OTHER PUBLICATIONS

PF Flyers, Source: Zappos.com, <http://www.zappos.com/multiview/7742896/291927> (last visited Mar. 29, 2012).
 PF Flyer Kids Center Hi (toddler/youth), dated 2012.
 Pro-Keds Unisex Royal Hi Leather Sneaker, 2012.
 1925 Keds Advertisement, dated 1925.
 Keds₇, Source: *Old Sneakers—1934 Keds*, Charlie's Sneaker Pages, <http://sneakers.pair.com/o-34keds.htm> (last visited Mar. 1, 2012).
 Spalding, Source: *Sports Memorabilia Museum—Basketball History*, <http://www.sportsmemorabilia-museum.com/basketballhistory/1930s-spalding-basketball-shoes.shtml> (last visited Mar. 1, 2012).
 Sears Source: *Old Sneakers—1946 Basketball High—Tops*, Charlie's Sneaker Pages, <http://sneakers.pair.com/o-46high.htm> (last visited Mar. 1, 2012).
 Levi's Source: Zappos.com, <http://www.zappos.com/multiview/7832429/3> (last visited Mar. 29, 2012).
 Crocs Source: 6pm.com, <http://www.6pm.com/multiview/7818893/16191> (last visited Mar. 29, 2012).
 Keen Source: Zappos.com, <http://www.zappos.com/multiview/7490213/218884> (last visited Mar. 29, 2012).
 Prada Source: Bluefly.com, http://www.bluefly.com/prada-pradasport-petrol-velvet-cap-toesneakers/PRODUCT_FEED/315295801/detail.fly (last visited Mar. 29, 2012).

Pony Shooter, '78 Source: Amazon.com, <http://www.amazon.com/Pony-Mens-Shooter-Canvas-Cream/dp/B000AXMIXY> (last visited Mar. 29, 2012).
 Diesel II, dated. 2012.
 Burberry Check Lace-Up Sneaker, [http://shop.norstrom.com/s/burberry-check-lace-up-sneakers/2964612\[4/2/2012 11:17:29 AM\]](http://shop.norstrom.com/s/burberry-check-lace-up-sneakers/2964612[4/2/2012 11:17:29 AM]).
 Calvin Klein Jeans Len, [http://www.zappos.com/multiview/7841091/4854\[4/2/2012 11:15:46 AM\]](http://www.zappos.com/multiview/7841091/4854[4/2/2012 11:15:46 AM]).
 Coach: Bonny Sneaker, [http://www.coach.com/. . . eaker&price=11800&style=Q1456&size=null&color=KHAKI/SILVER%20MLTCOLOR&colorString=amy\[4/2/2012 11:16:37AM\]](http://www.coach.com/. . . eaker&price=11800&style=Q1456&size=null&color=KHAKI/SILVER%20MLTCOLOR&colorString=amy[4/2/2012 11:16:37AM]).
 Zappos.com, Ed Hardy Devinette, 2012.
 Zappos.com, Ed Hardy Highrise, 2012.
 Belstaff 'Jair' High Top Trainer, 2012.
 Juicy Couture, 6PM.com, 2012.
 Montauk High-Top Sneaker, [http://ralphlauren.com/product/index.jsp?productId=12571509&utm_medium=feeds&utm_source=RLGoole%2BShopping&utm_campaign=Product%2BSearch\[4/2/2012 11:18:59 AM\]](http://ralphlauren.com/product/index.jsp?productId=12571509&utm_medium=feeds&utm_source=RLGoole%2BShopping&utm_campaign=Product%2BSearch[4/2/2012 11:18:59 AM]).
 Skechers Kids Twinkles Toes—S Lights—Shuffles—Lightening Hearts, [http://www.zappos.com/multiview/7752294/2763411\[4/2/2012 11:25:48 AM\]](http://www.zappos.com/multiview/7752294/2763411[4/2/2012 11:25:48 AM]).
 Stride Rite, 6PM.com, 2012.
 Sanrio Hello Kitty Hi Top Color Canvas Shoes Vivitix, 2012.
 Diane Von Furstenberg for GAP Printed DVF Hearts Women7, [http://www.ebay.com/itm/Diane-Von-Furstenburg-GAP-Printed-DVF-Hearts-Hi-Tops-Shoes-SIZE-Kids5-Women7-/130673443490#vi-content\[4/2/2012 11:21:17 AM\]](http://www.ebay.com/itm/Diane-Von-Furstenburg-GAP-Printed-DVF-Hearts-Hi-Tops-Shoes-SIZE-Kids5-Women7-/130673443490#vi-content[4/2/2012 11:21:17 AM]).
 Civic Duty 'Illumination' Sneaker, 2012.
 Advertisement showing P.F. Shoes made by B.F. Goodrich and Hood; undated, believed to be available in 1950; 1 page.
 Original PRO-Keds 69er; undated, believed to be available in 1970; 1 page.
 Spaulding SS advertisement showing its signature orange sole; undated, believed to be available in 1970; 1 page.

* cited by examiner



FIG. 1

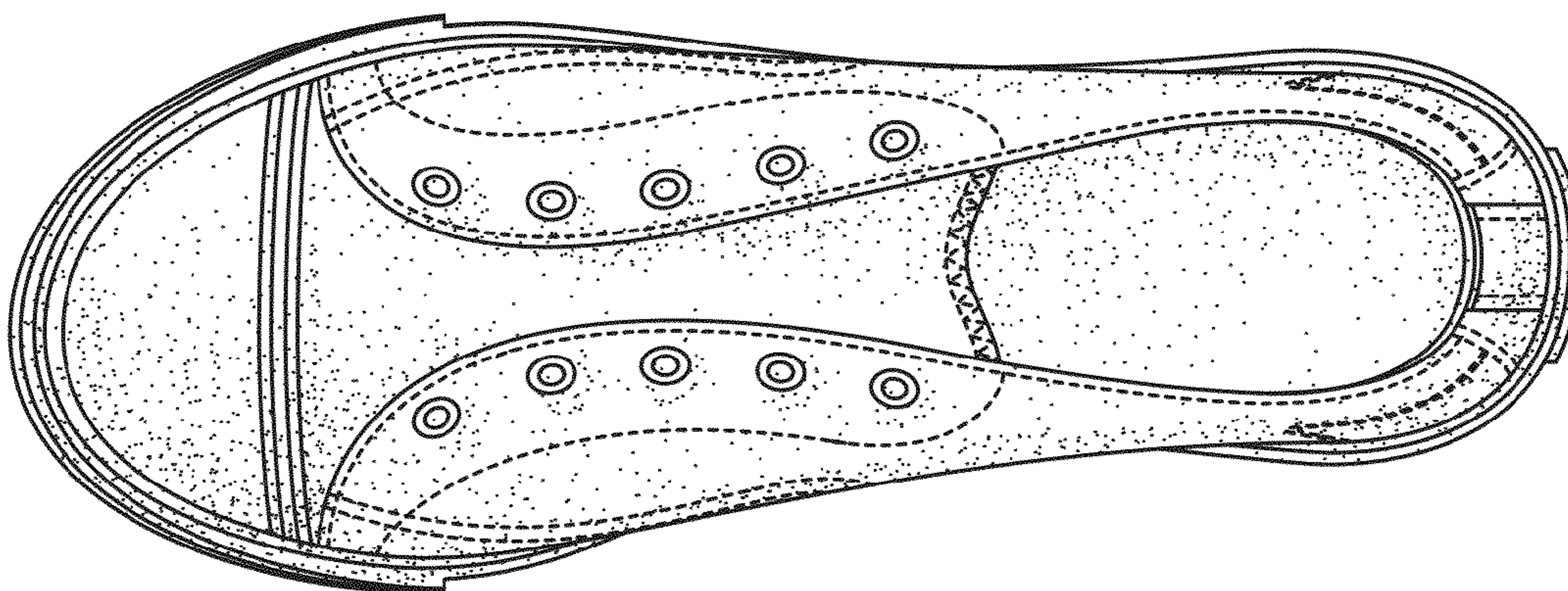


FIG. 2

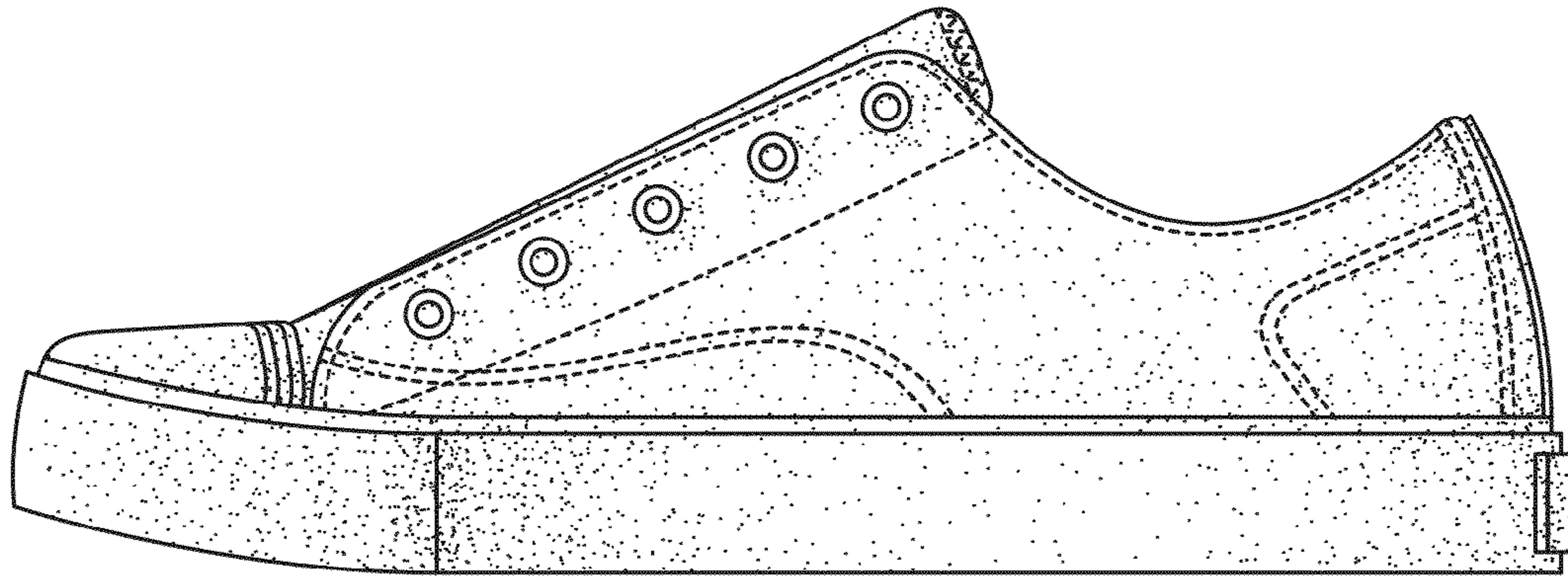


FIG. 3

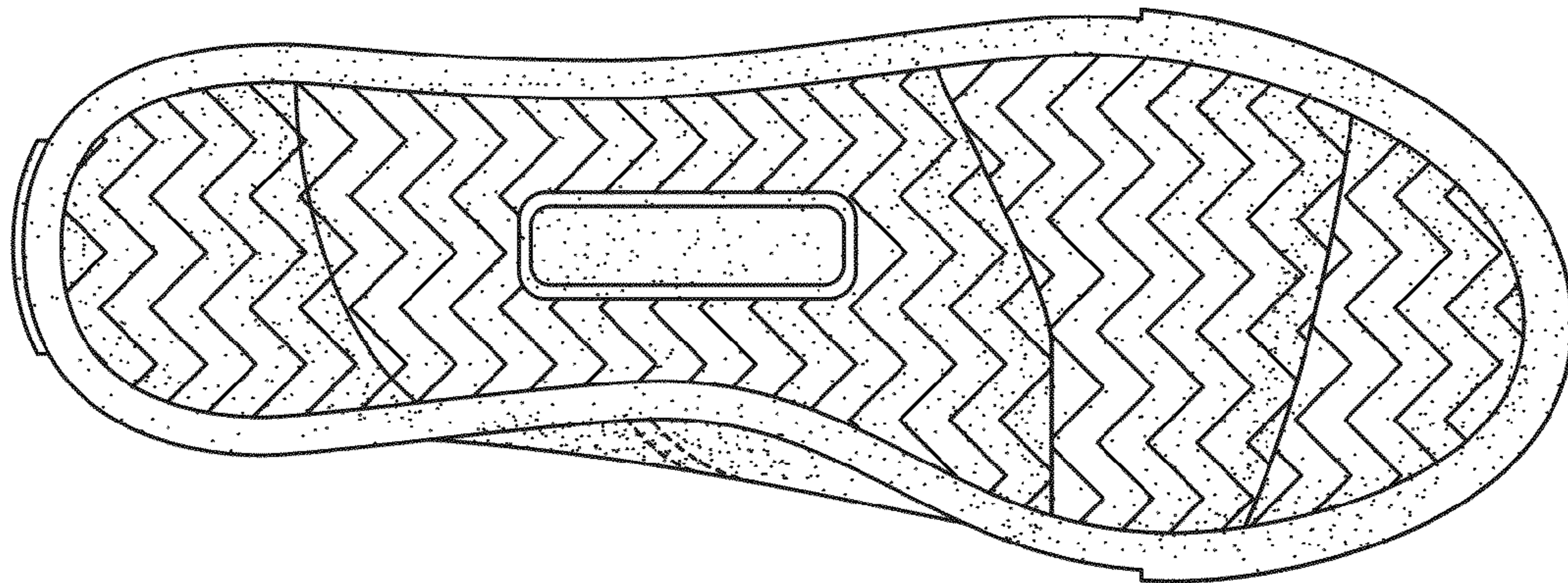


FIG. 4

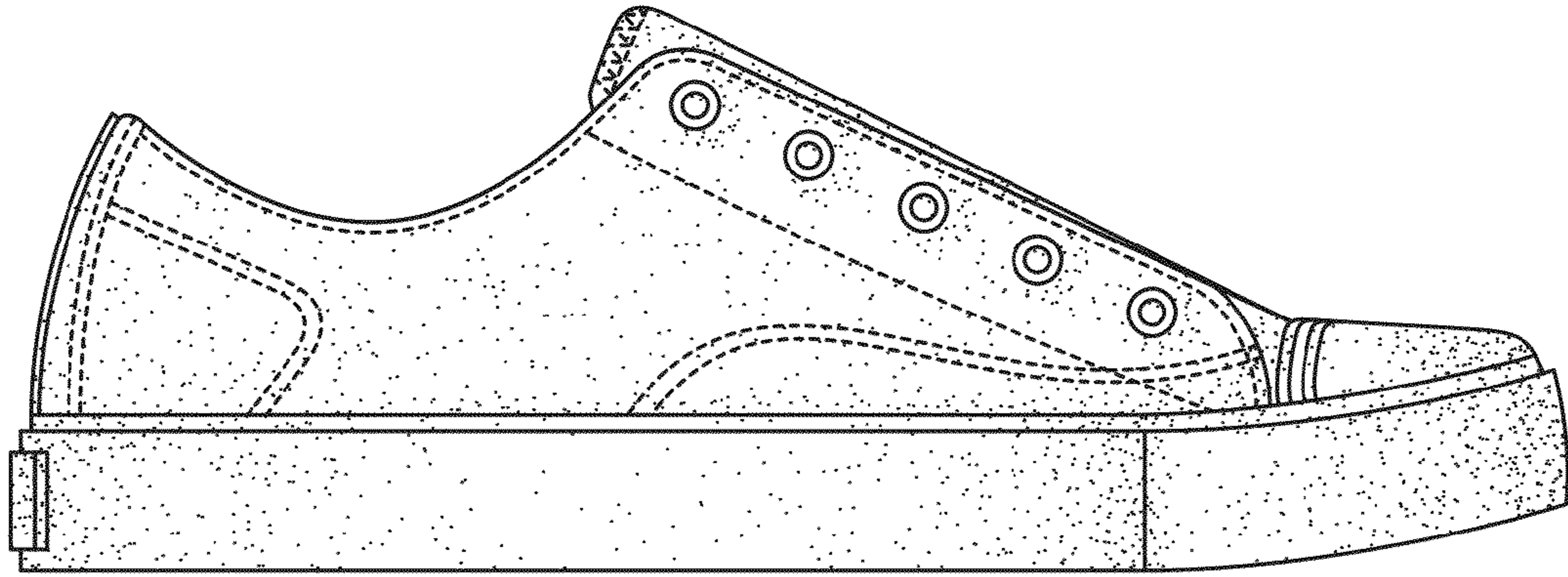


FIG. 5

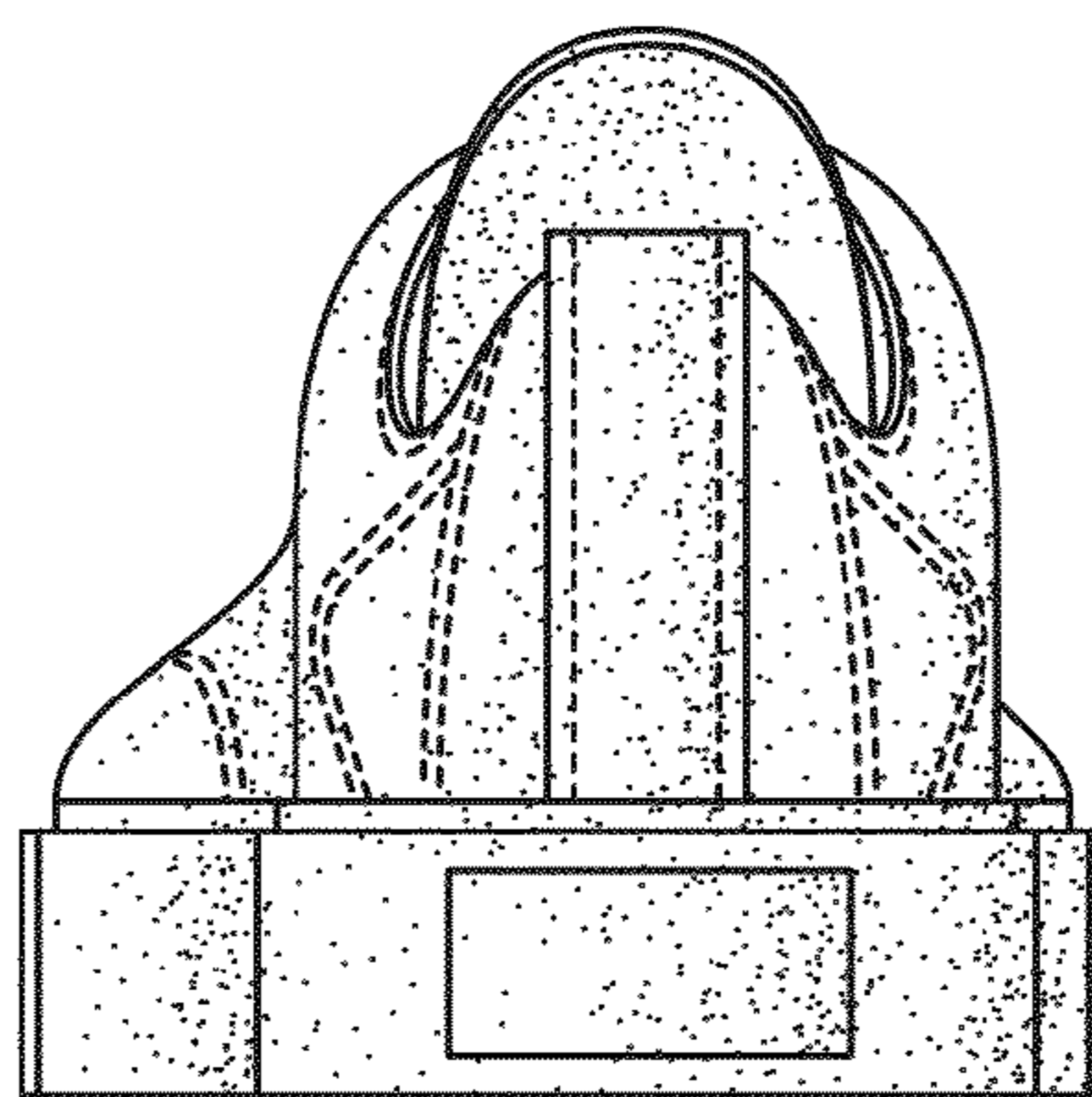


FIG. 6

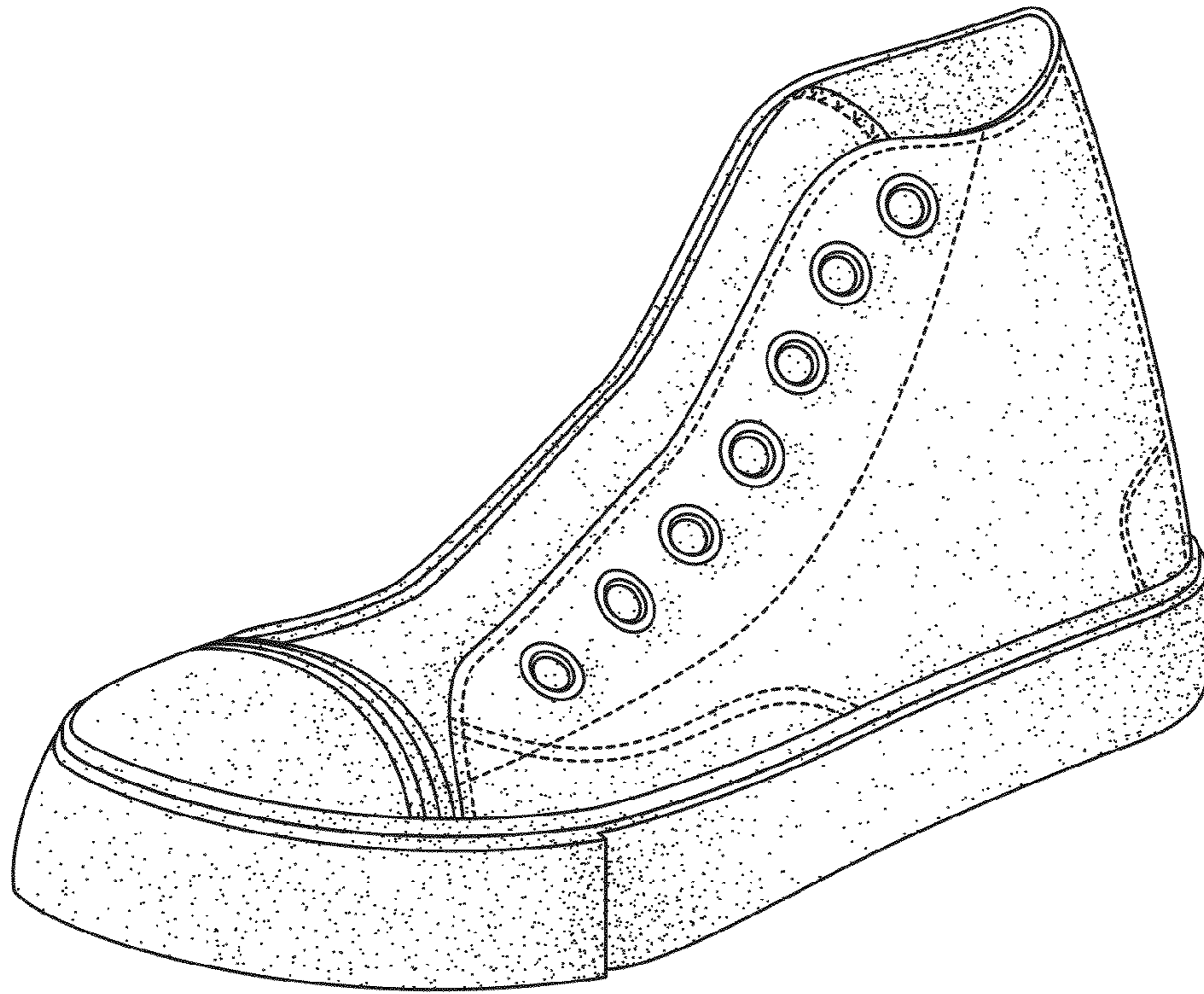


FIG. 7

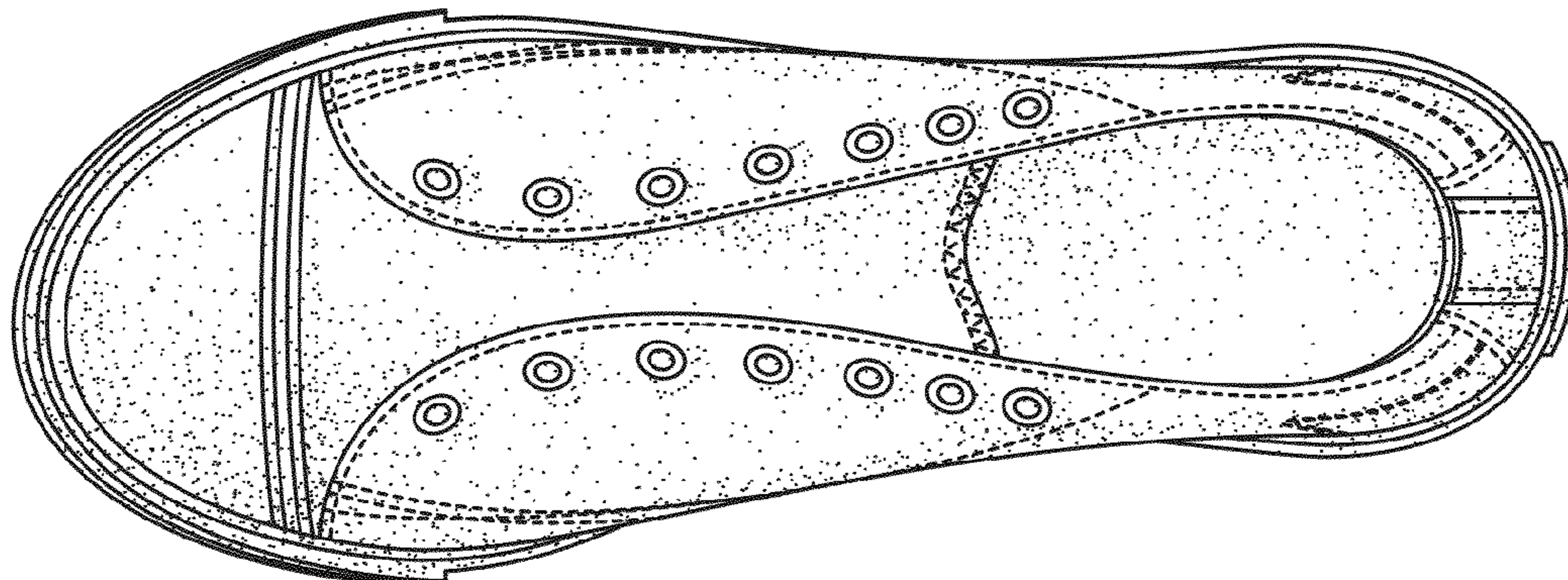


FIG. 8

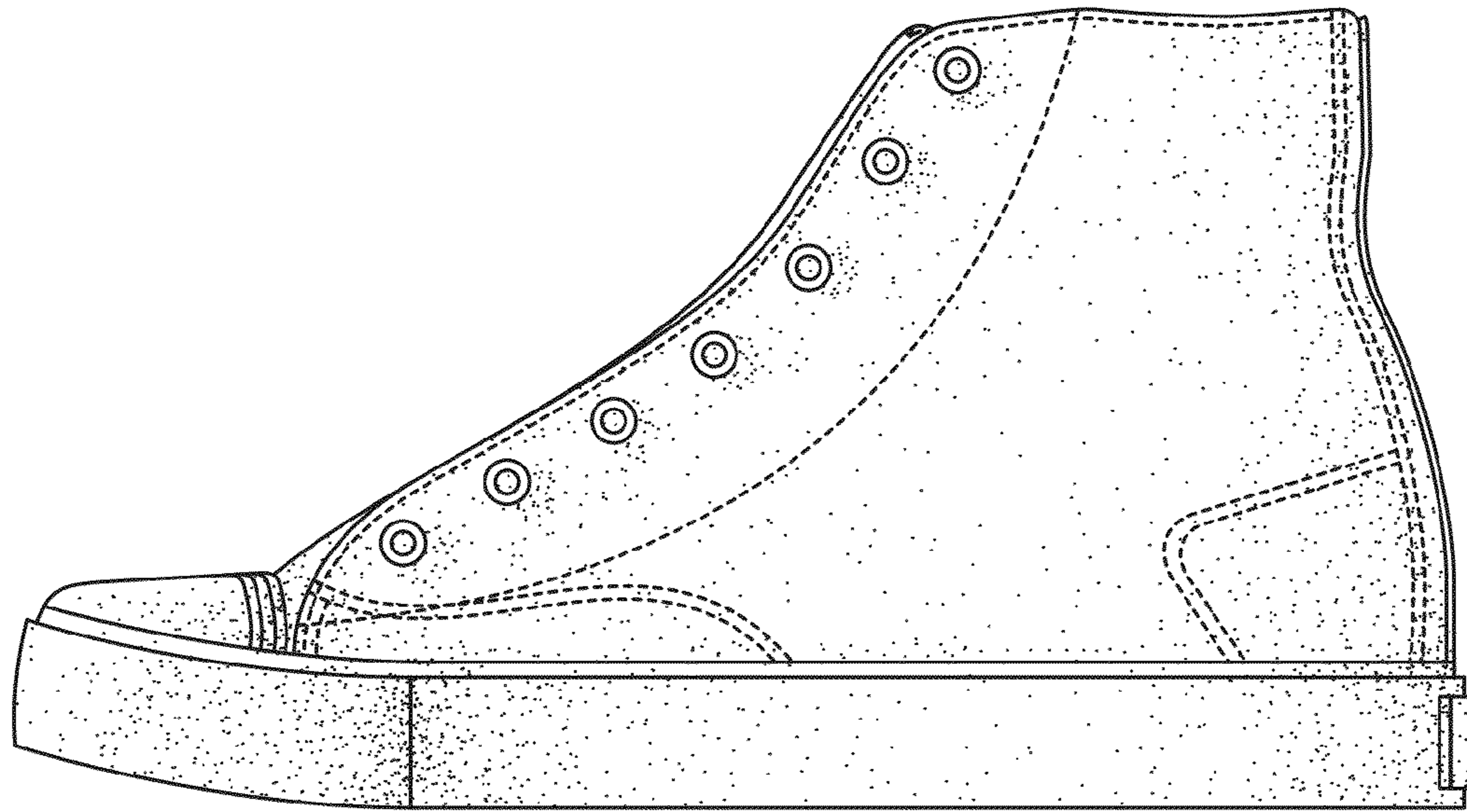


FIG. 9

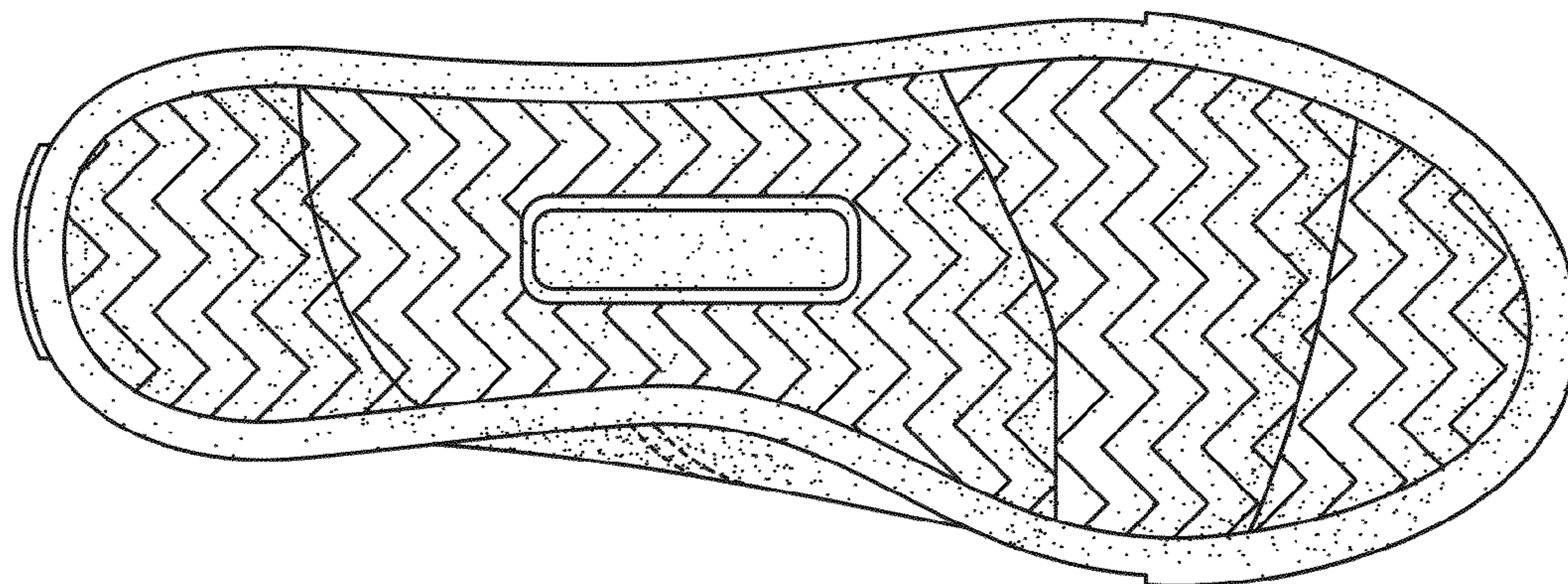


FIG. 10

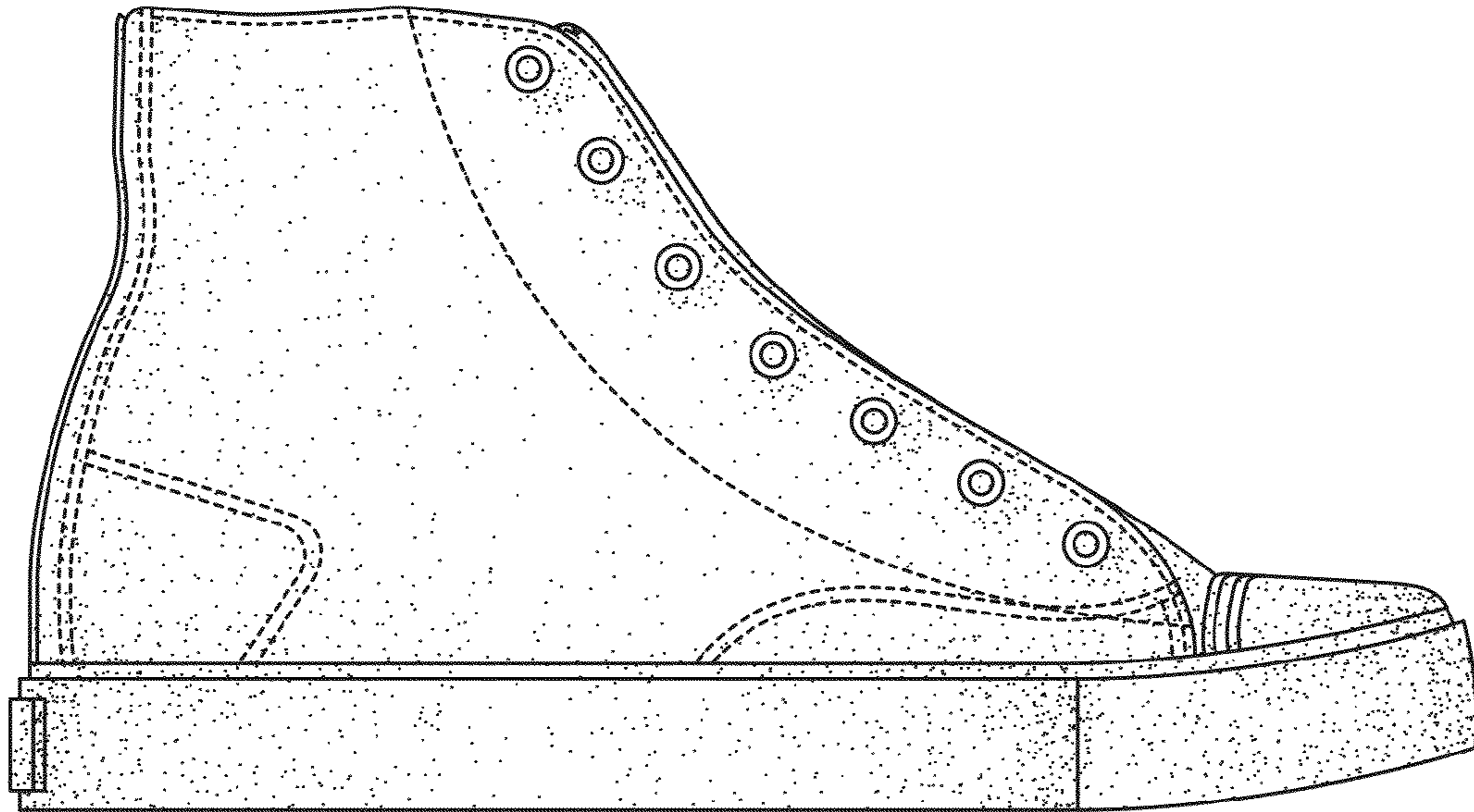


FIG. 11

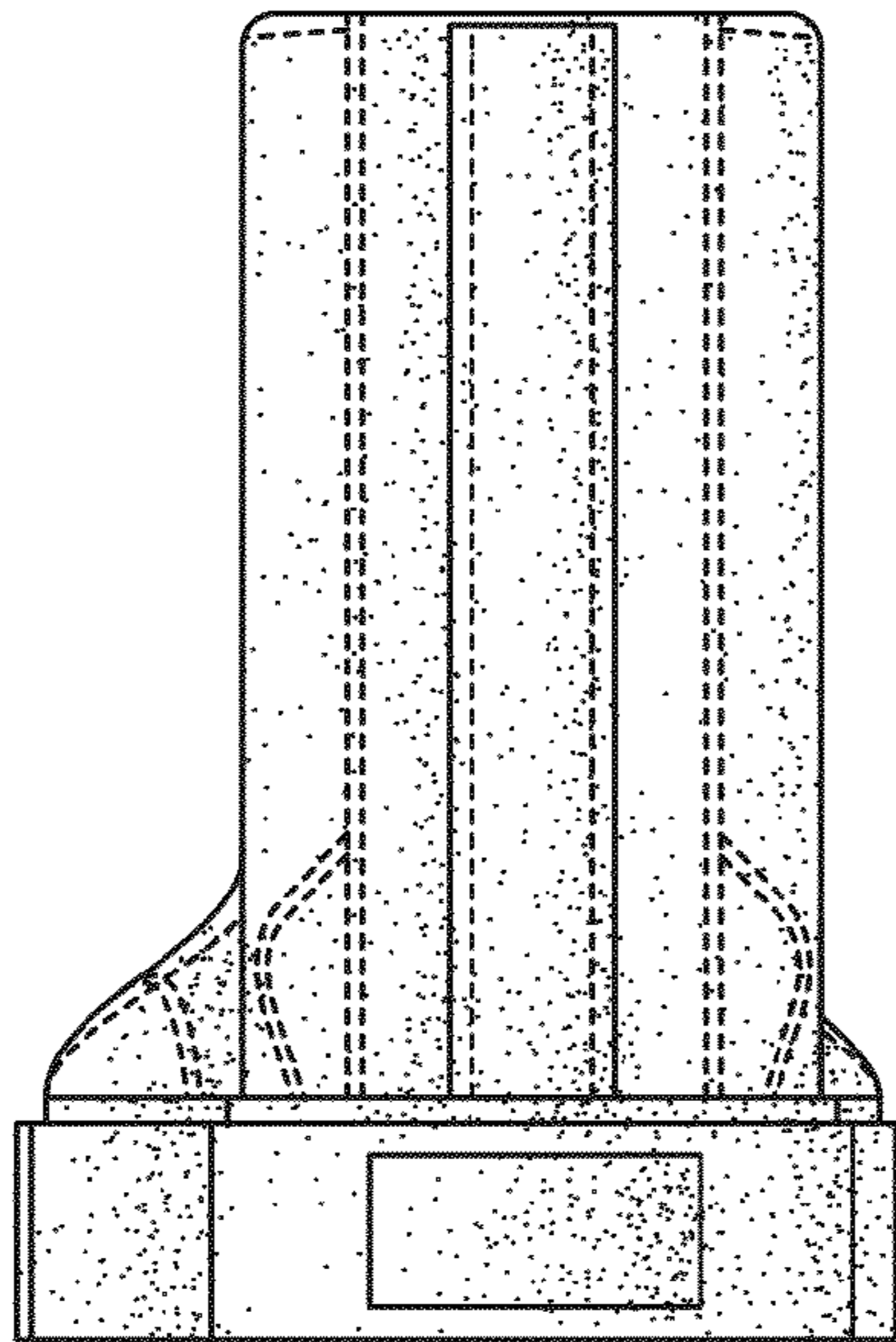


FIG. 12