



US00D729492S

(12) **United States Design Patent**  
**Rogers et al.**

(10) **Patent No.:** **US D729,492 S**  
(45) **Date of Patent:** **\*\* May 19, 2015**

(54) **ROOT VEGETABLE PRODUCT**

(71) Applicant: **McCain Foods Limited**,  
Florenceville-Bristol (CA)

(72) Inventors: **David M. Rogers**, Woodstock (CA);  
**John Aikens**, New Maryland (CA)

(73) Assignee: **McCain Foods Limited**,  
Florenceville-Bristol (CA)

(\*\*) Term: **14 Years**

(21) Appl. No.: **29/456,288**

(22) Filed: **May 30, 2013**

(51) **LOC (10) Cl.** ..... **01-01**

(52) **U.S. Cl.**  
USPC ..... **D1/125**

(58) **Field of Classification Search**  
CPC ..... A21D 13/0029; A21D 13/0074; A21D  
13/0022; A21D 13/0006; A23L 1/1641;  
A23L 1/005  
USPC ..... D1/100-130, 199; D7/504, 509, 510,  
D7/523, 524, 555, 566, 568, 584-587, 602,  
D7/672, 300.1; D21/386, 672, 803, 821;  
D19/91; 426/92, 94, 95, 99, 101,  
426/138-139, 143, 279, 282, 283, 391,  
426/514; D11/146, 151, 154, 78, 131, 141,  
D11/152; D14/480.5, 484.1; D25/119, 121,  
D25/126; D30/160; 220/566; D34/28, 29  
See application file for complete search history.

(56) **References Cited**

**U.S. PATENT DOCUMENTS**

1,802,698 A \* 4/1931 Blanchard ..... 426/138  
2,924,228 A \* 2/1960 McGee ..... 132/273  
3,180,737 A \* 4/1965 Culp ..... 426/412  
D313,298 S \* 12/1990 Elmas et al. .... D34/28  
4,999,928 A \* 3/1991 Tozier ..... 34/90

D323,414 S \* 1/1992 Bruke ..... D34/29  
D326,944 S \* 6/1992 Bruke ..... D34/29  
5,296,252 A \* 3/1994 Mendenhall ..... 426/615  
D362,703 S \* 9/1995 Rusk ..... D21/693  
D401,735 S \* 12/1998 Rom ..... D1/101  
D458,434 S \* 6/2002 Bortone ..... D1/125  
D492,087 S \* 6/2004 Bortone ..... D1/125  
D501,697 S \* 2/2005 Bortone ..... D1/125  
D523,191 S \* 6/2006 Wang ..... D30/160  
D666,378 S \* 9/2012 Dixon ..... D1/125  
D688,344 S \* 8/2013 Cheung ..... D21/803  
D688,437 S \* 8/2013 Walker et al. .... D1/125  
2008/0038416 A1 \* 2/2008 Burgess et al. .... 426/143  
2011/0311685 A1 \* 12/2011 Hogan et al. .... 426/92  
2013/0087032 A1 4/2013 Walker et al.

**OTHER PUBLICATIONS**

Twist Pasta, Jan. 23, 2008. [online.] [retrieved on Aug. 29, 2014].  
Retrieved from internet <URL: [http://www.amsan.org/Food/pasta\\_lithuania.htm](http://www.amsan.org/Food/pasta_lithuania.htm)>.\*

(Continued)

*Primary Examiner* — Deanna L Pratt

*Assistant Examiner* — Katie Mroczka

(74) *Attorney, Agent, or Firm* — Panitch Schwarze Belisario  
& Nadel LLP

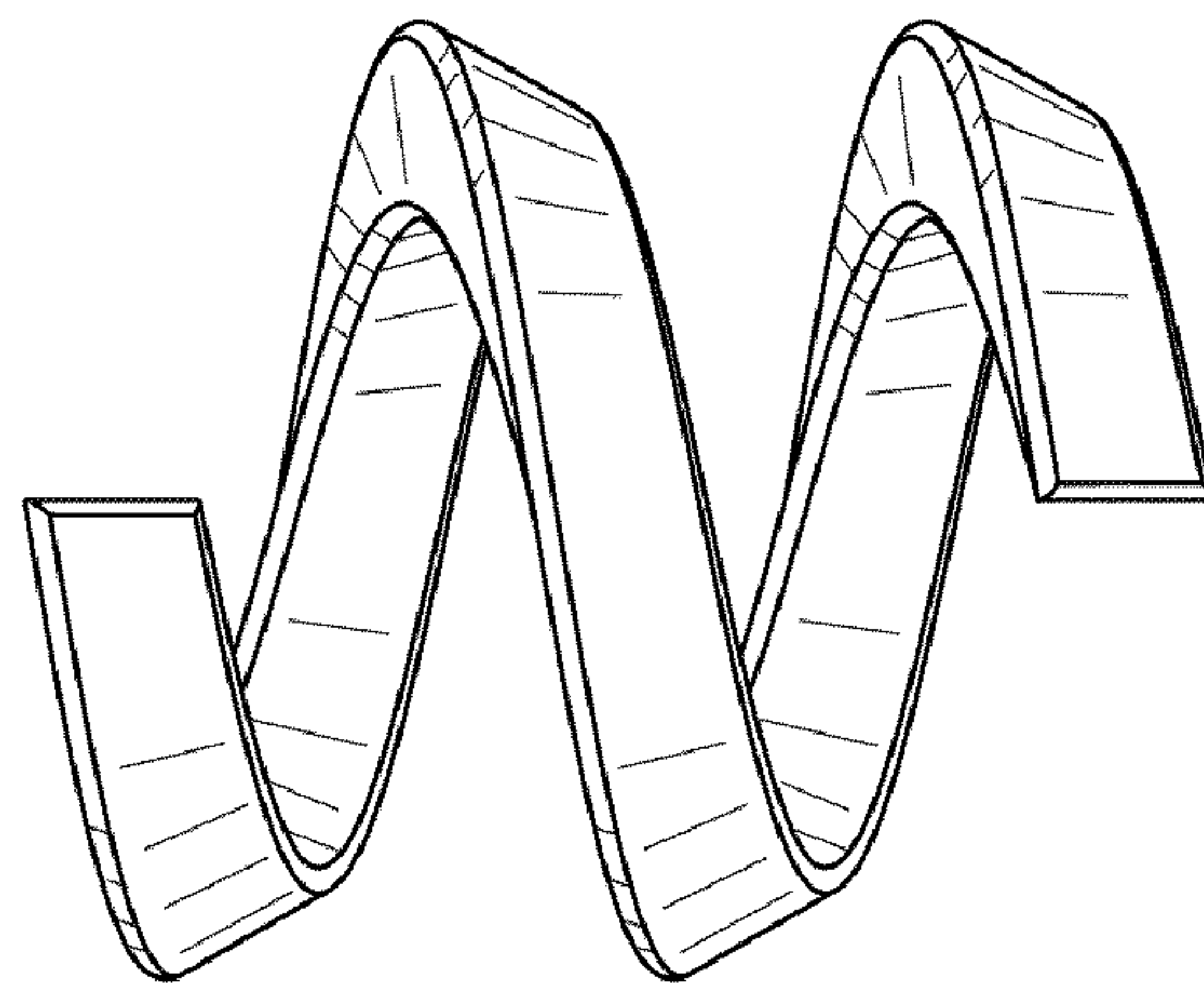
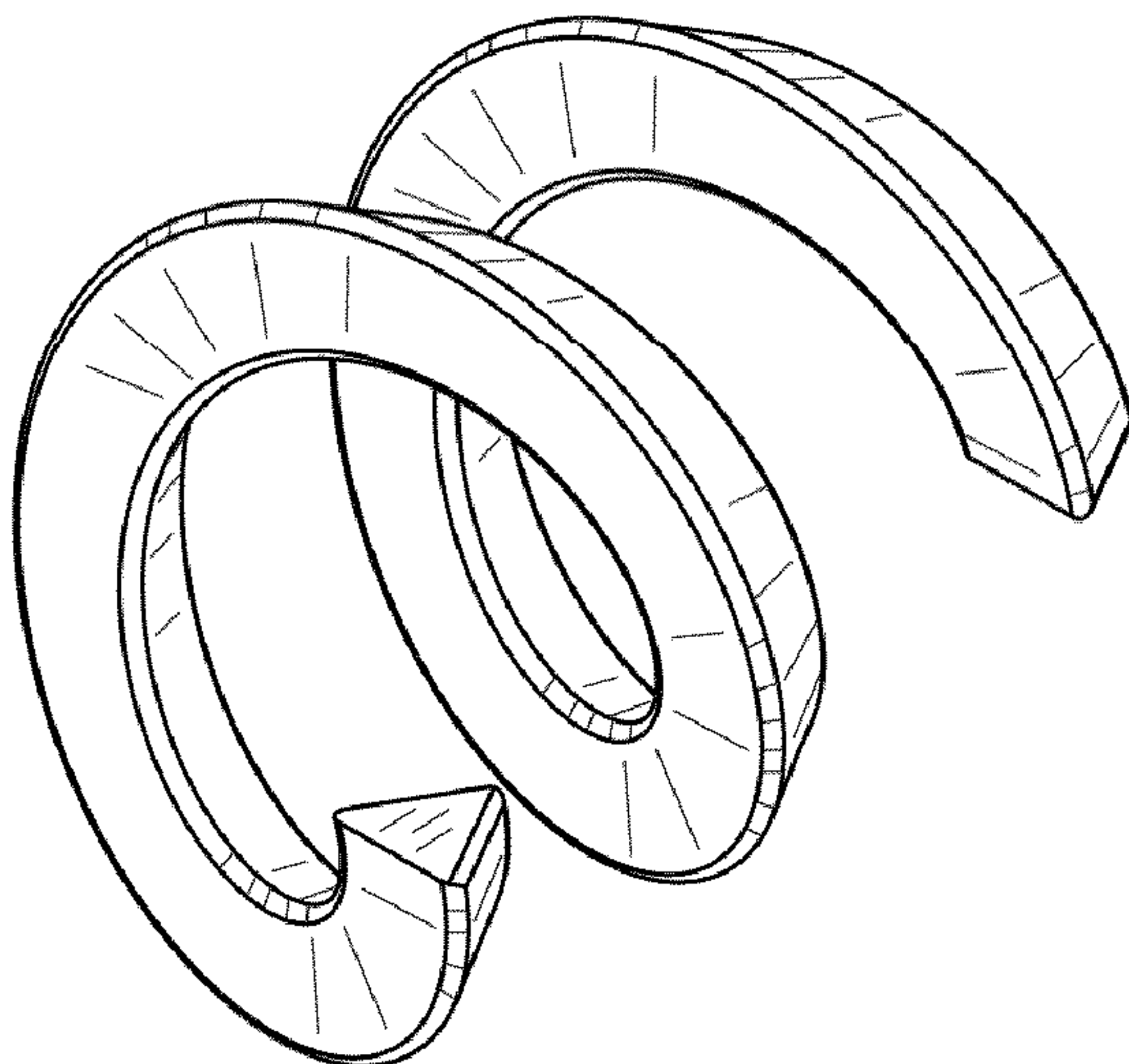
(57) **CLAIM**

The ornamental design for a root vegetable product, as shown  
and described.

**DESCRIPTION**

FIG. 1 is a front perspective view of a root vegetable product  
in accordance with our new design;  
FIG. 2 is a left side elevational view thereof;  
FIG. 3 is a front elevational view thereof;  
FIG. 4 is a right side elevational view thereof;  
FIG. 5 is a rear elevational view thereof;  
FIG. 6 is a top plan view thereof; and,  
FIG. 7 is a bottom plan view thereof.

**1 Claim, 2 Drawing Sheets**



(56)

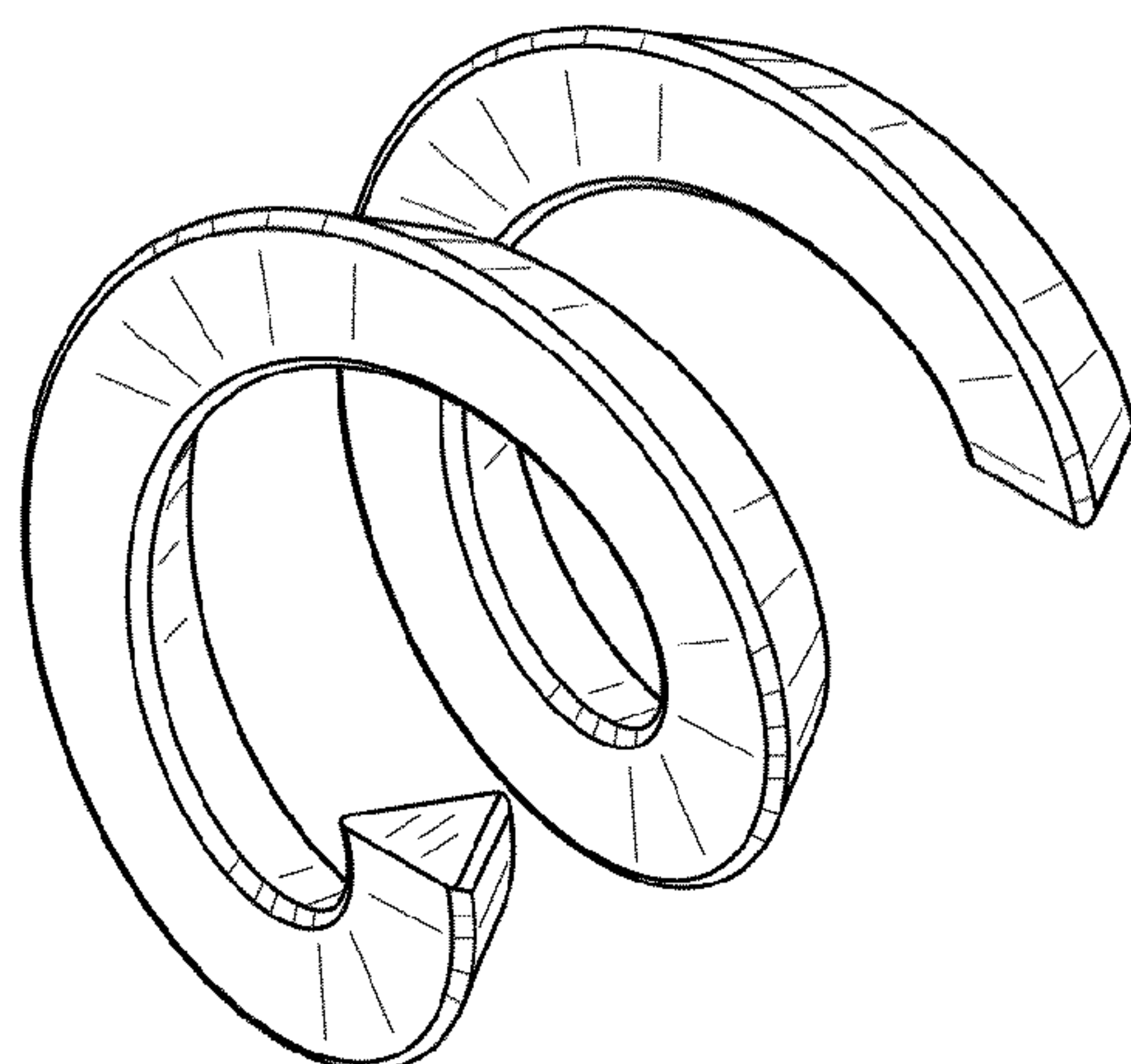
**References Cited**

Retrieved from internet <URL: <http://www.seasaltwithfood.com/2010/11/how-to-cut-spiral-potato.html>>.\*

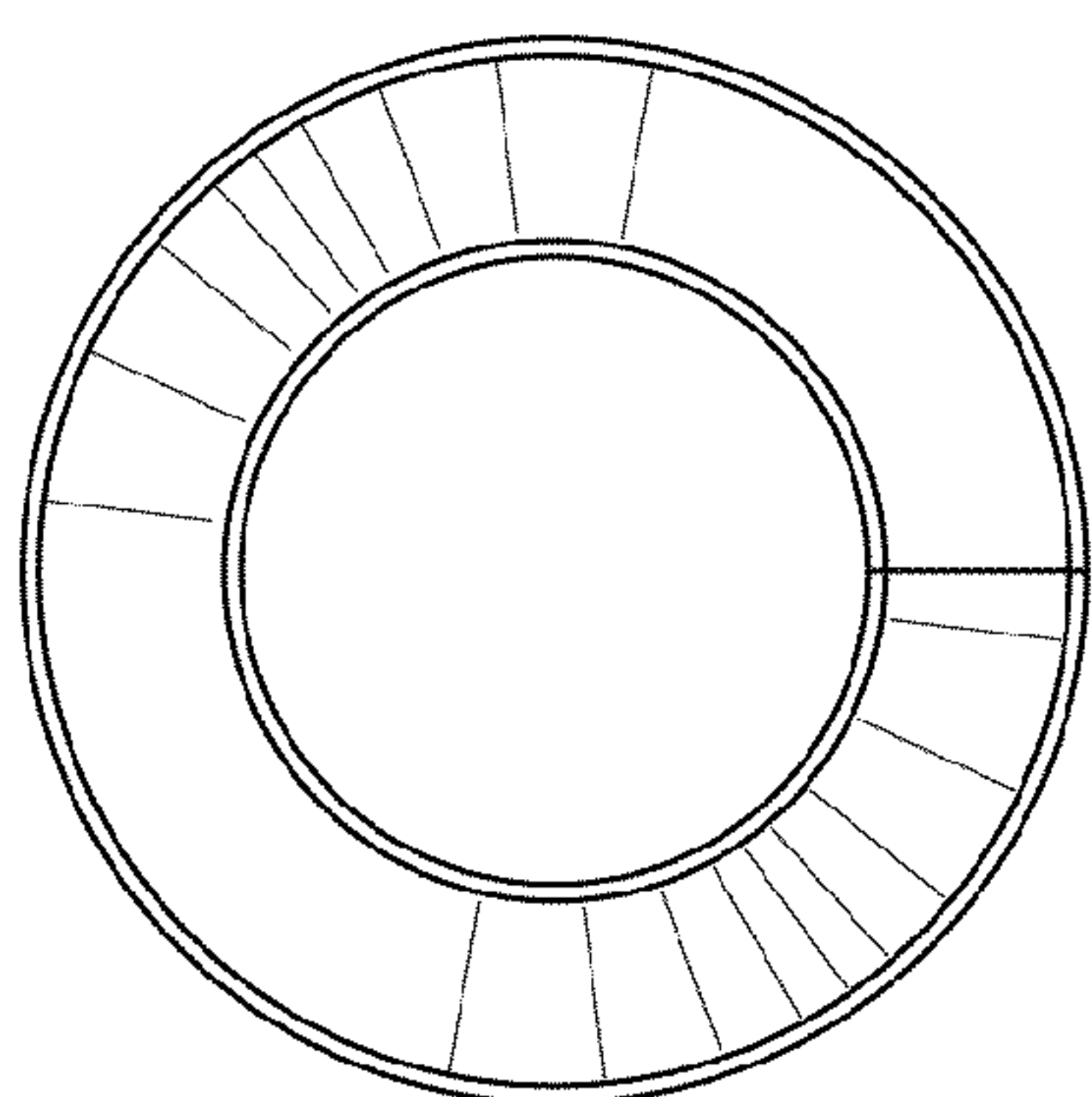
OTHER PUBLICATIONS

Spiral Potato, Nov. 28, 2010. [online.] [retrieved on Aug. 29, 2014].

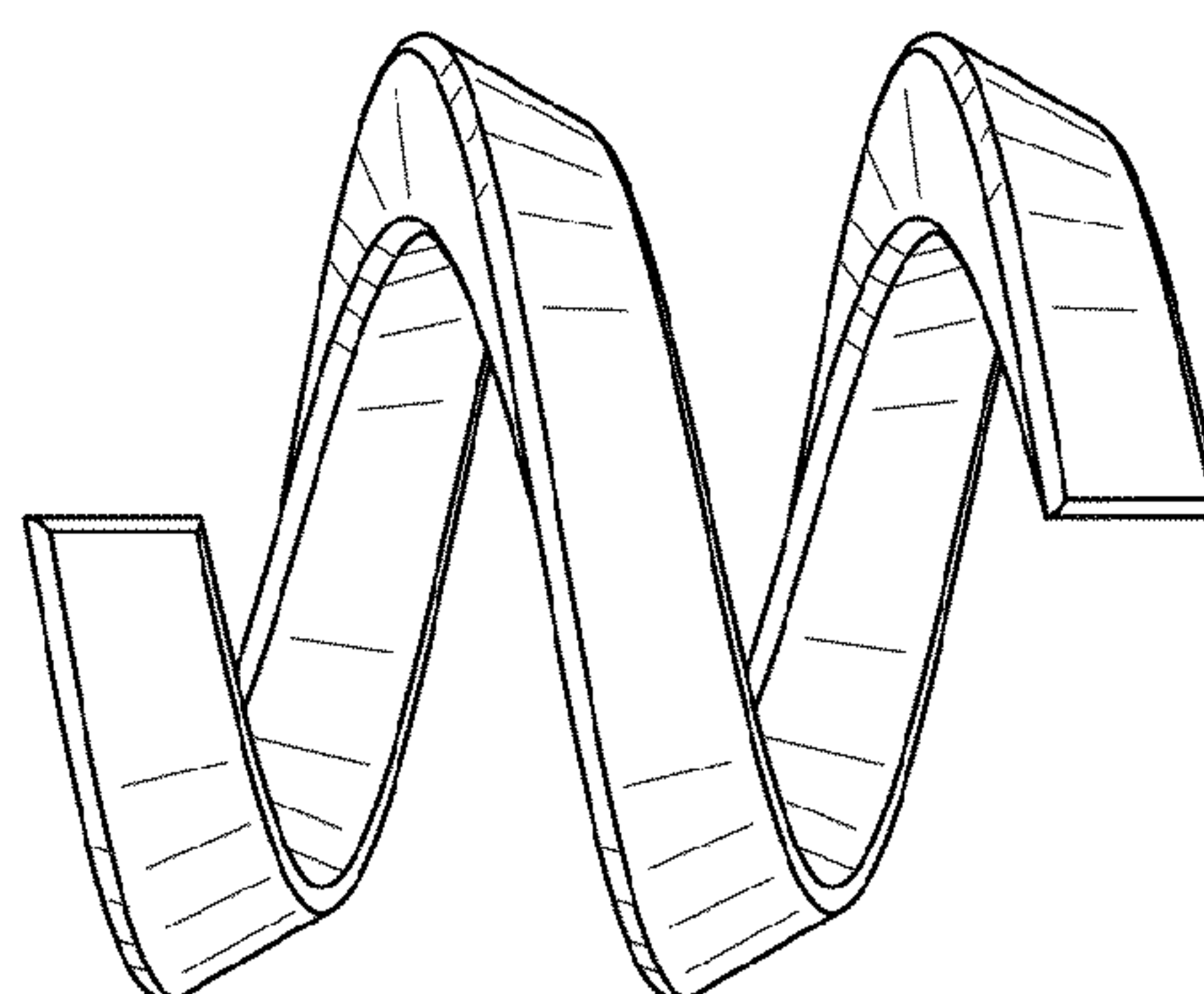
\* cited by examiner



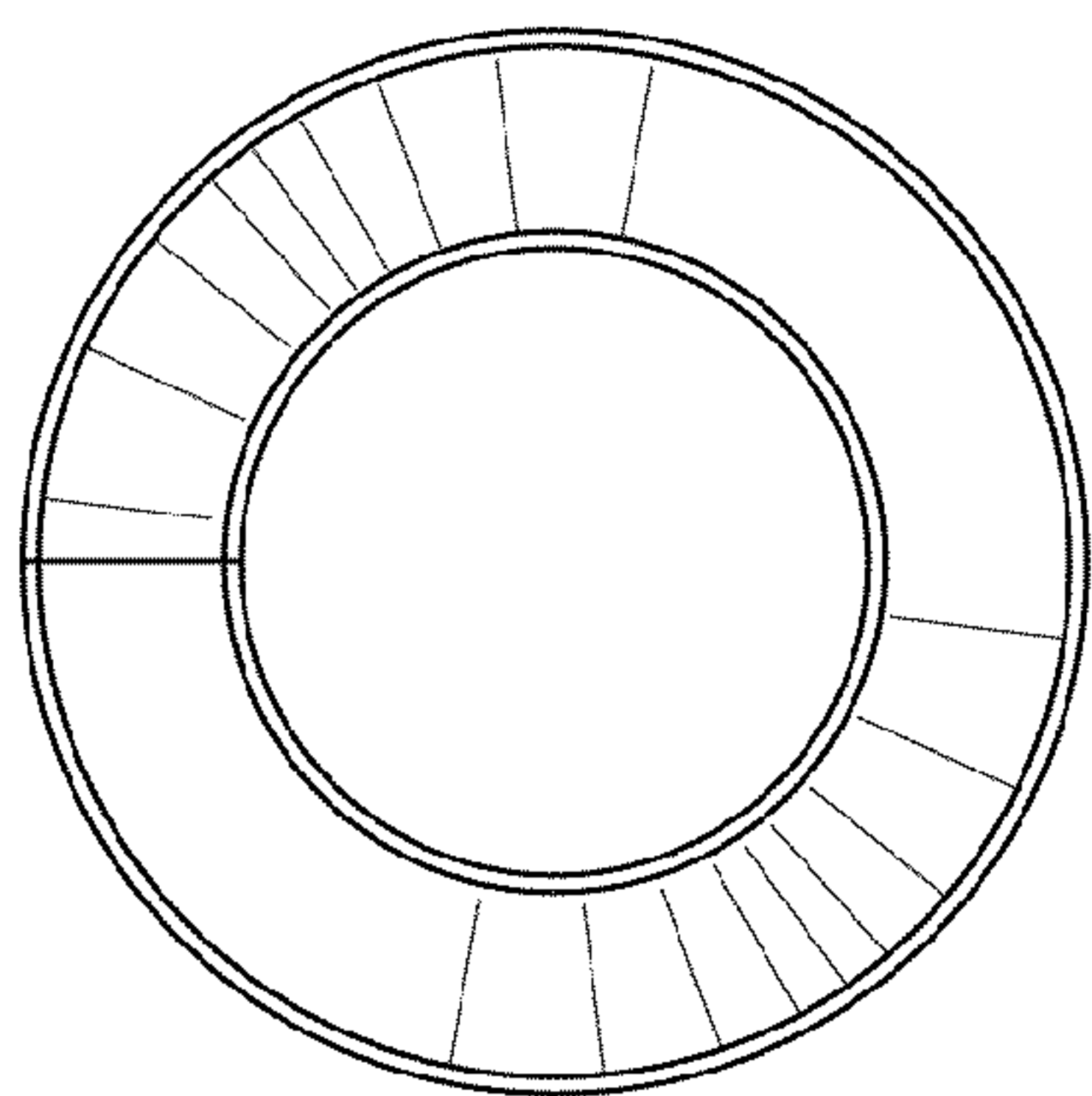
**FIG. 1**



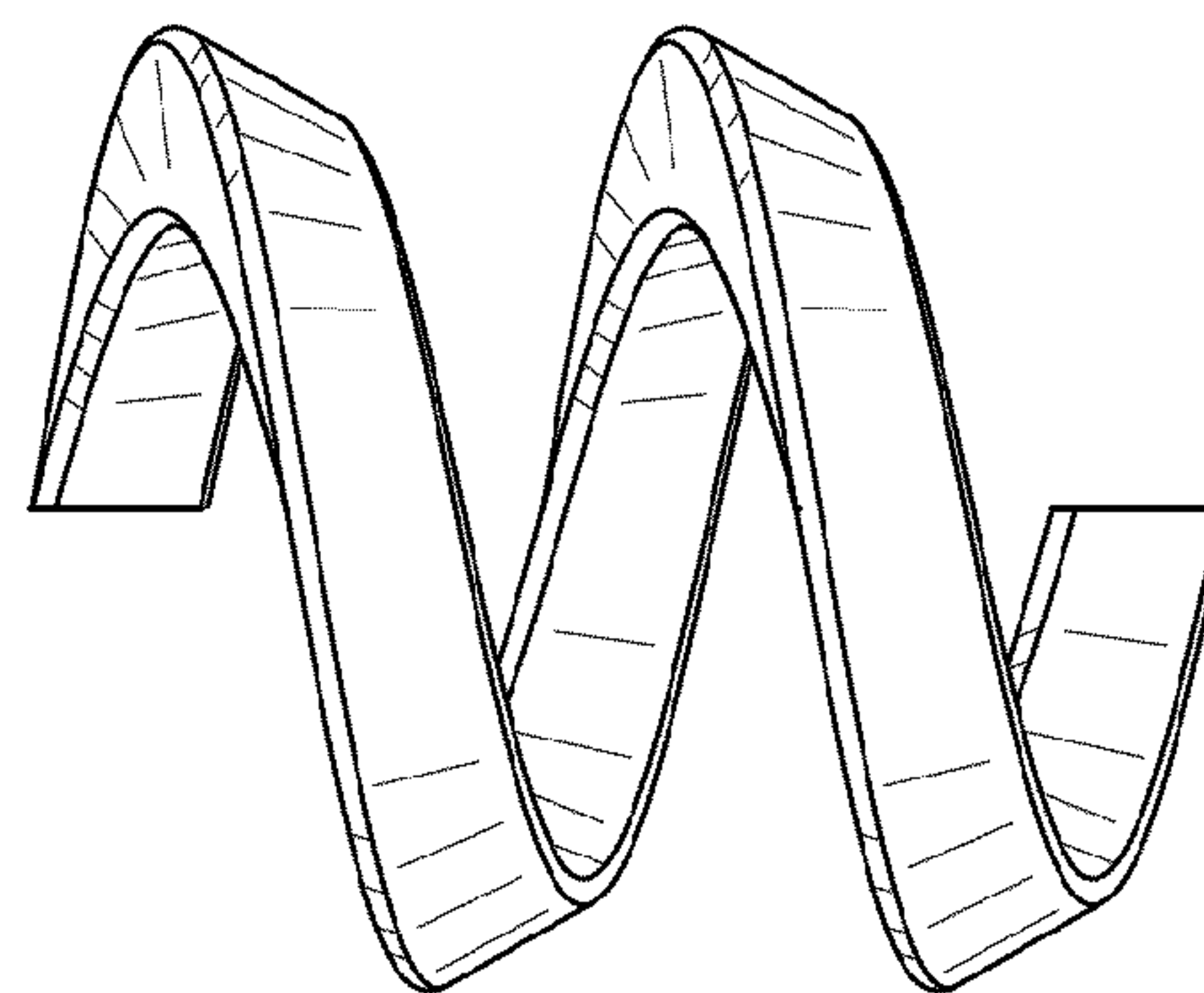
**FIG. 2**



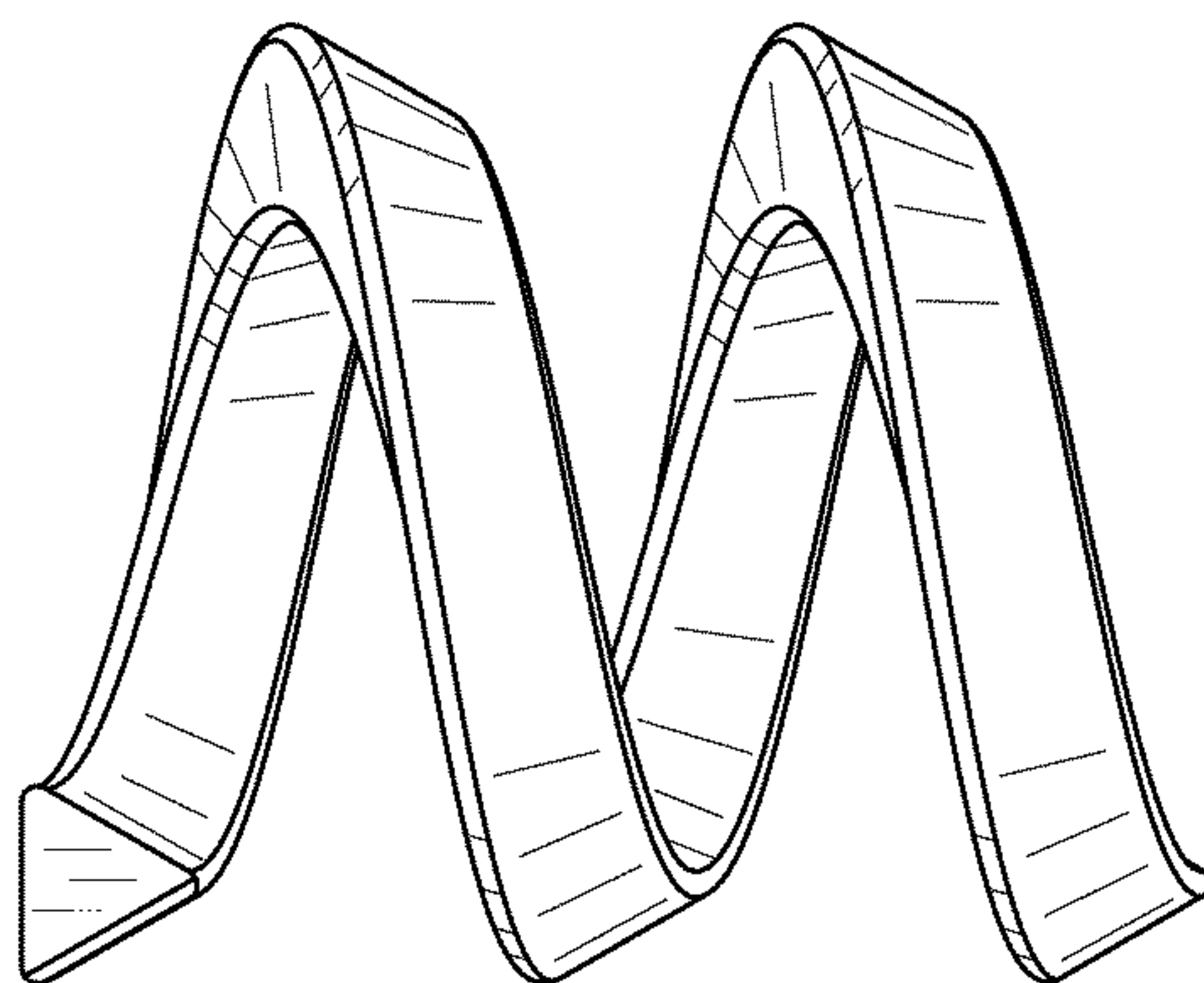
**FIG. 3**



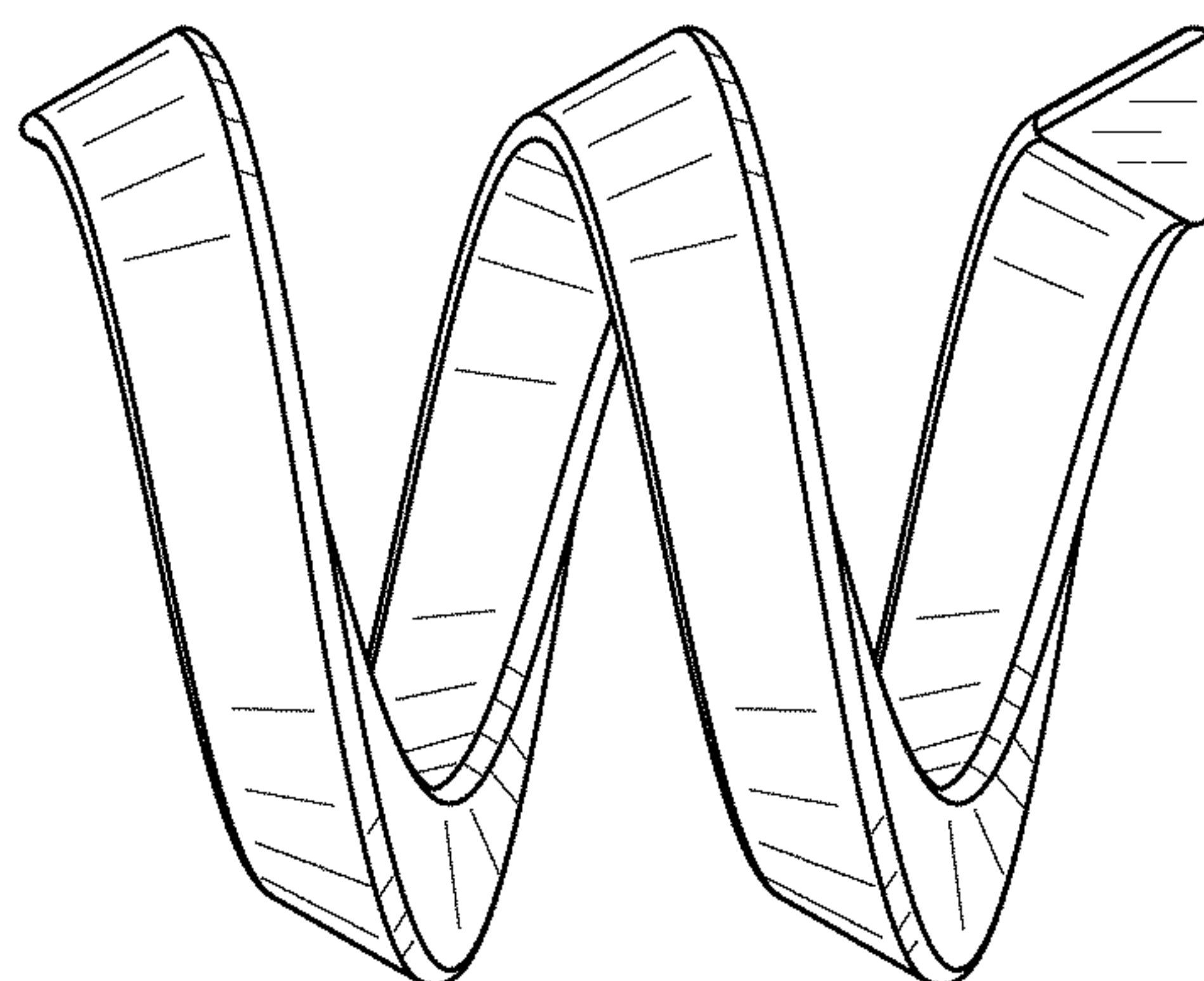
**FIG. 4**



**FIG. 5**



**FIG. 6**



**FIG. 7**